



**Our Legacy is Quality & Performance. Our Focus is Customer Service**

# Sealing Systems

## for Architectural Openings

**Automatic Door Bottoms - Gasketing - Thresholds - Door Flood Systems**  
INTUMESCENT MATERIAL - ACOUSTICAL SOUNDPROOFING INSULATION - RUBBER EXTRUSIONS - WEATHERSTRIPPING



**Legacy Manufacturing** is a young, resourceful company solidly rooted in almost 100 years of experience, innovation and advanced technology dedicated to providing superior sealing systems for architectural openings. Our engineered parts and systems offer proven solutions to the wide range of security and life safety challenges the building team faces to ensure reliable performance in those openings. And we offer an unequalled range of product features and options for maximum specification flexibility.

On-site manufacturing and proprietary processes enable us to provide best-in-industry turnaround on parts orders. Hands-on manufacturing control also allows us to ensure consistent, unsurpassed quality in our products. We produce all rubber for our products at our plant in Ohio, making Legacy the only U.S. source in our industry for the high-quality rubber extrusions so critical to door sealing performance.

Custom orders are our special strength. We are uniquely equipped to respond promptly to specific architect or owner requirements and provide documented design solutions for your approval. Our turnaround on customized Legacy solutions is setting new standards for

the industry depending on those requirements, specification to shipment can take as little as two days.

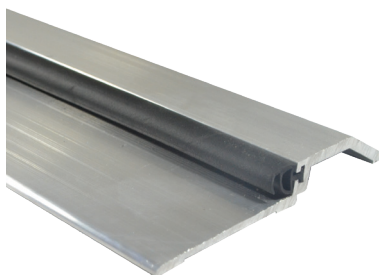
Our capabilities and commitment also provide unique value to our OEM partners. Legacy engineers can assist you in developing proprietary OEM programs for integrated product design and independent laboratory testing. In addition to configuring sealing systems, including intumescent and high-performance acoustical applications, we are able to manufacture rubber formulations to customer specifications, or developed collaboratively.

Legacy's comprehensive offering of parts and integrated systems shown in this catalog reflects a long tradition of expertise and responsiveness in problem-solving for the door and hardware industry. Above all, we place a premium on providing the expert support you expect and need. From answering basic product and installation questions to the most complex customization requirements, our friendly, highly-trained customer service team is standing by and ready to help.

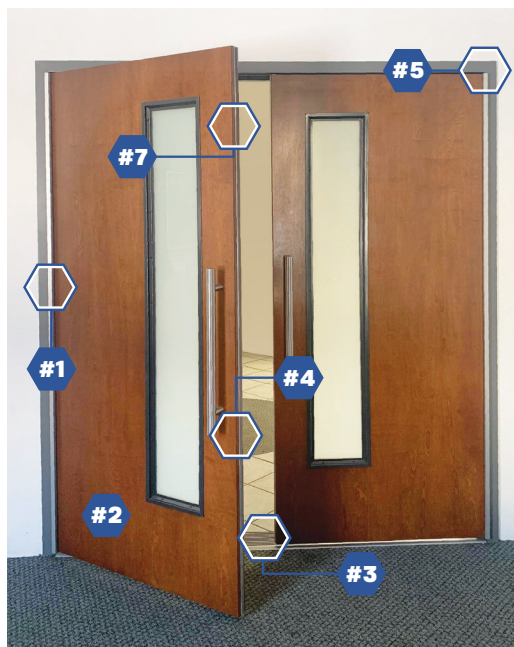
## LEGACY'S Product Code

The **first number** of each product code identifies where the product is **installed** in the opening. Other components of our product codes are explained in the How To Order sections of this catalog.

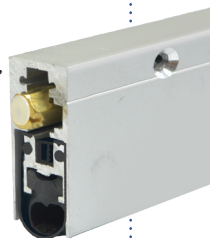
EXAMPLE - #3465MA is a threshold mounted to the floor.



#3465MA



- #1** Products mounted to the **door and frame**, such as hinges and finger protection.
- #2** Products that do not have a specific mounting location, such as acoustical sheets.
- #3** Products mounted to the **floor**, such as thresholds and saddles.
- #4** **Sub-components or sub-assemblies**, such as replacement rubber parts.
- #5** Products attached to a **frame**, such as perimeter gasketing.
- #6** Specifiable **sealing systems and configurations**.
- #7** Products attached to a **door**, such as automatic door bottoms, sweeps and astragals.



#7763CA

## TABLE OF CONTENTS

### Automatic Door Bottoms 4 - 16

How to Order	5
Heavy Duty	6 - 9
Regular Duty	10
Light Duty	10
Hollow Metal Doors	11
Heavy Duty Extended Drop	12 - 13
Corner Dust Plug	13
Air Flow	14
Lead Lined for X-Ray Protection	15
End Caps	16

### Door Sweeps 17 - 26

How To Order	17
Surface-Mounted	18-20
Adjustable	19
Oversized	21
Rain Drip	22
Air Flow	23
Mortised	24-25
Stainless Steel	26

### Thresholds 27 - 45

How To Order	27
Accessories	28
Options	28
Adjustable Thresholds	29-30
Aluminum Thresholds (1/4")	31
Aluminum Thresholds (1/2")	32, 35
Half-Saddles	33
Carpet Saddles	34
Stop Strips	34
Thermal Breaks	35
Rabbeted Thresholds	36, 38
Ramps	37

Interlocking Aluminum	39
Interlocking Bronze	39, 40
IN- Swinging Door Saddles	41
Architectural Bronze	42-43
Expansion Joint Plates	44
Diamond Plates	44
Stainless Steel	45

### Self-Adhesive Gasketing 46 - 49

How To Order	46
Silicone with PSA	47
Sponge Rubber	48
Kerf Gasketing	49

### Perimeter Seals 50 - 58

How To Order	50
Strike Plate Mounting Brackets	51
Adjustable	52-54
Stainless Steel	53
Mechanically Fastened	55-58

### Meeting Stiles / Astragals 59 - 66

How to Order	59
Both Doors Active	60-62
Mortised	63
Overlapping Astragals	64
Glass Door Solutions	65
Glass Door Gasketing	66

### Specialty Hinges 67 - 69

How To Order	67
Finger Guard Protection	68-69

### Accurate Weatherstripping 70 - 73

How To Order	70
--------------	----

Interlocking Metal Weatherstrips	71 - 73
----------------------------------	---------

### Flood Barriers 74 - 79

About Flood Barriers	74
How To Order	75
Standard Openings	76-77
Oversized Openings	78
Flood Barrier Enclosures & Individual Components	79

### Specialized Systems & Applications 80 - 90

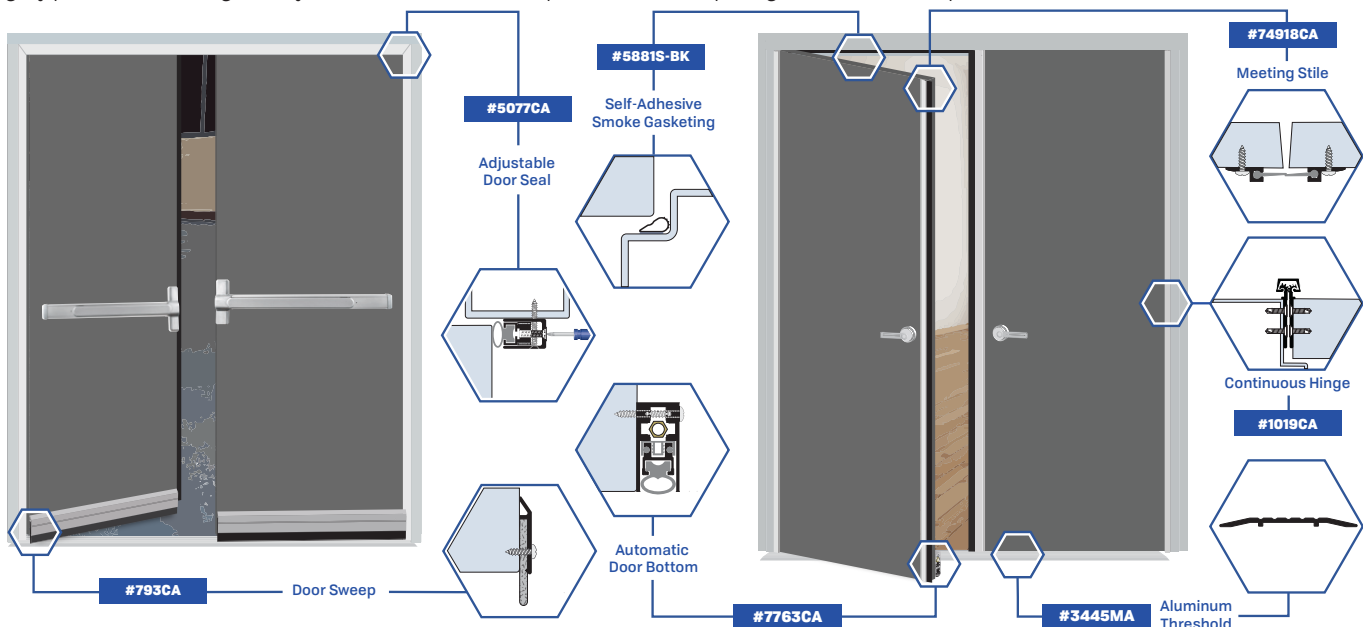
Acoustical Systems	80-82
Miscellaneous Systems	83
Automatic Door Bottom on Stand-By	84
Nitrile	85
EMI/RFI Systems	85
Sliding Door System	86
Ligature Resistant System	87
Acoustical Soundproofing Insulation	88
Fire Protection Material	89
Legacy Rubber	90

### Technical Data 91 - 95

Materials	91
Finishes	92
Symbols & Standards	93
Parts Index	94-95

## Fully Integrated Sealing Solutions

Legacy provides both integrated systems and individual components for door openings, such as these representative assemblies.



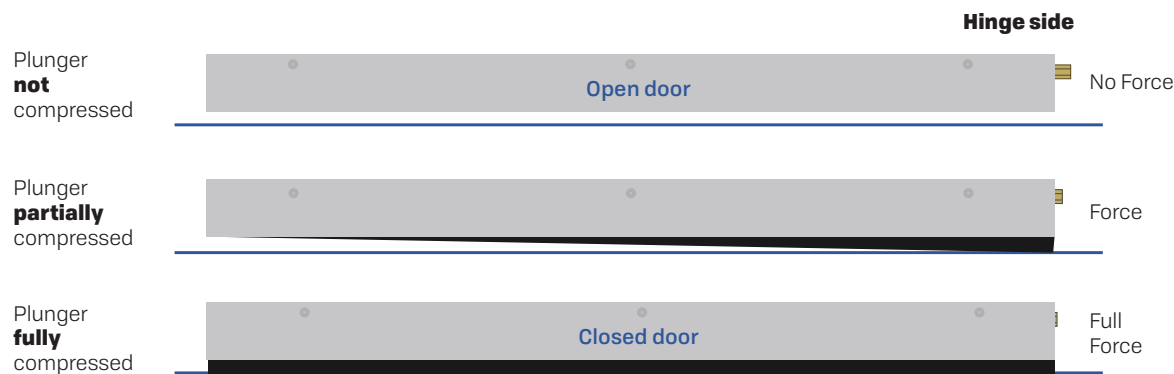
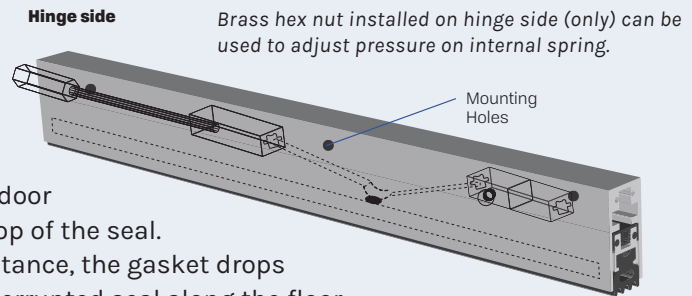
# Automatic Door Bottoms (ADB)

Legacy automatic door bottoms (ADB) are designed and built using proprietary rubber and highest-quality housings for superior performance and durability, even under the most challenging installed conditions. The proof is in our exhaustive cycle testing in the lab. And the best measure of performance over many years in the field is the sound of silence from satisfied customers.

Legacy's ADB product line is unsurpassed in the industry for scope and versatility. Used primarily for blocking air, noise, smoke and fire, Legacy ADBs are also available for specialized applications, such as electrical actuation, X-ray protection or allowing free air flow. Additional options help specifiers optimize the utility of our models for specific applications, and we offer a wide range of anodized and powder-coated finishes. Recent enhancements provide simplified interior design for better service life and maintenance.

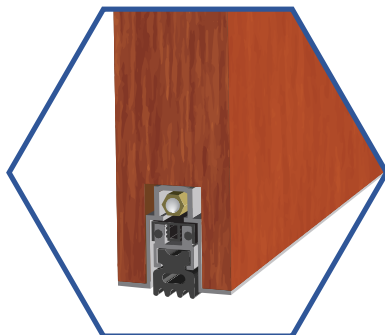
## Patent-pending technology

The technology for reliable performance is the same for all standard Legacy ADBs. The rubber seal along the bottom of the unit is concealed when the door is open. As the door closes, compression of a plunger against the door frame activates a spring mechanism that controls the drop of the seal. Operating from the hinge side to eliminate drag and resistance, the gasket drops down smoothly in a scissor-like motion creating an uninterrupted seal along the floor. This self-leveling operation ensures a tight seal even on uneven surfaces. An adjustable brass hex nut attached to the plunger provides additional control to satisfy field conditions.

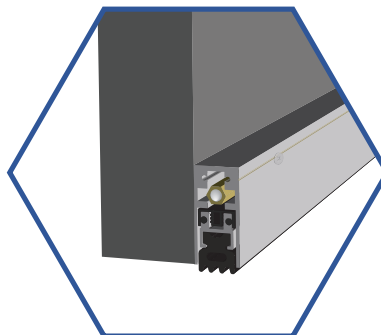


Tested over  
**5 million**  
cycles

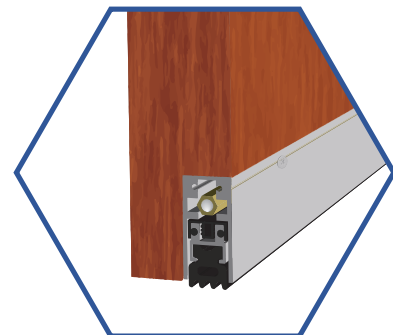
## Mounting Options



**Mortised**  
#7063CA



**Surface-Mounted**  
#7163CA



**Semi-Mortised**  
#7263CA

# How To Order: Automatic Door Bottoms

Example #7463CA-FX-36

**Easy Ways To Order**
**Email**

Orders@LegacyLLC.com

**Phone**

Local: +1 (718) 292-5333

Toll Free: +1 (888) 383-3330

**PART NUMBER & FINISH - OPTIONS - LENGTH (IN)**
**7463**
**CA**
**FX**
**36**
**PART NUMBER**

7023	7563	<b>End Caps</b>
7053	7593	749EC
7063	7663	4023EC
7093	7763	4063EC
7123	7793	4123EC
7153	7863	4153EC
7163	7963	4163EC
7253	71553	
7263	72553	<b>Misc.</b>
7323		2INCHNUT
7463		545DP
7553		

**FINISH**

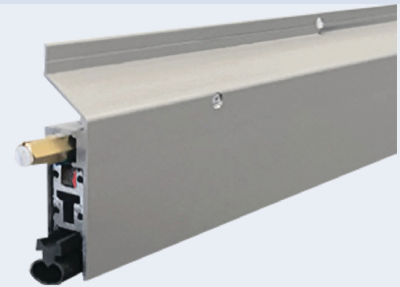
Finishes vary by product. Please check available finishes listed for each product.

- CA** - Clear Anodized
- MA** - Mill Aluminum
- BK** - Black Anodized Aluminum
- DB** - Dark Bronze Anodized Aluminum
- GD** - Gold Anodized Aluminum
- WP** - White Powder Coat

**OPTIONS**

Options vary by product. Please check available options listed for each product.

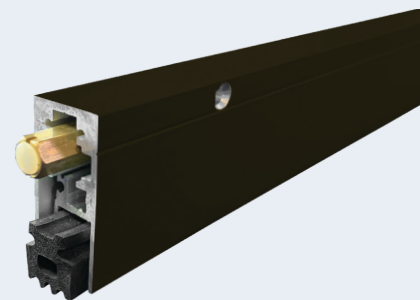
- |   |                                 |                                   |
|---|---------------------------------|-----------------------------------|
| <b>Blank</b> - No Option  | <b>FL</b> - Fire Label          | <b>PULL</b> - Pull Out Out        |
| <b>AIR</b> - Air Flow   | <b>FX</b> - Intumescent         | <b>PV</b> - Pivot Doors           |
| <b>EA</b> - Electrical Actuator                                 | <b>LIG</b> - Ligature Resistant | <b>SF</b> - Security Fasteners    |
| <b>EMI/RFI</b> - Electromagnetic / Radio Frequency Interference | <b>LL</b> - Lead Lined          | <b>SL</b> - Sliding Doors         |
| <b>EP</b> - Extended Plunger                                    | <b>LS</b> - Light Spring        | <b>TD</b> - Top Door Installation |

**LENGTH**
**AVAILABLE SIZES** - Can be manufactured to any length from 12" to 144".  
 Please specify to nearest 1/16"


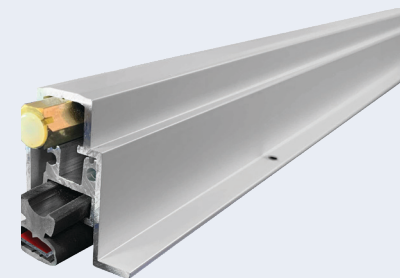
#7793CA-FX



#7763CA



#7163DB

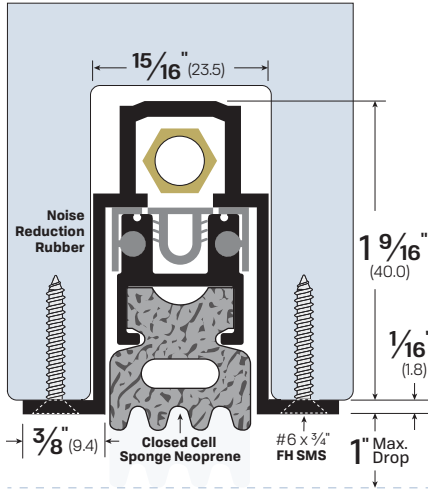


#7463CA-FX



#7553MA

**#7063**



**Mortised**

**FINISHES: CA**

**AVAILABLE SIZES:** Can be manufactured to any length from 12" to 144"

**OPTIONS:**

- EA** - Electrical Actuator      **PULL** - Pull Out      **SL** - Sliding Doors
- FL** - Fire Label                  **PV** - Pivot Doors      **TD** - Top Door Installation
- LS** - Light Spring              **SF** - Security Fasteners

**NOTES:**

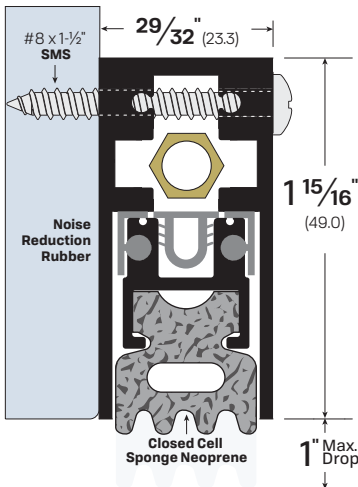
- Adjusting the brass nut changes pressure on concealed internal spring to satisfy field conditions.
- Self-leveling door seal up to maximum 1" drop.
- Replacement closed cell sponge neoprene - Part #4363SPR
- Unit supplied with 1 pair of end caps - Part #4063EC-CA or #4063EC-MB

LEGACY	NGP	PEMKO	ZERO
<b>7063</b>	423N	434ARL	360AA



#7063CA

**#7163**



**Surface-Mounted**

**FINISHES: CA, BK, DB, GD, WP**

**AVAILABLE SIZES:** Can be manufactured to any length from 12" to 144"

**OPTIONS:**

- EA** - Electrical Actuator      **PV** - Pivot Doors      **SL** - Sliding Doors
- FL** - Fire Label
- LS** - Light Spring              **SF** - Security Fasteners

**NOTES:**

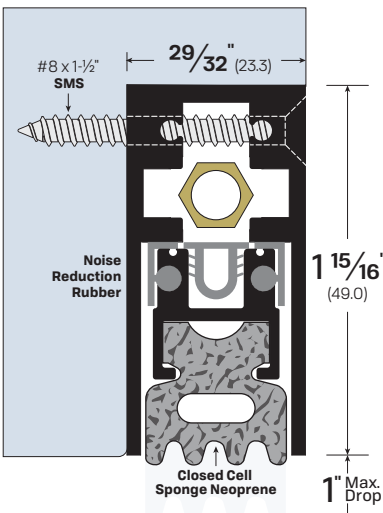
- Adjusting the brass nut changes pressure on concealed internal spring to satisfy field conditions.
- Self-leveling door seal up to maximum 1" drop.
- Replacement closed cell sponge neoprene - Part #4363SPR
- Unit supplied with 1 pair of end caps - Part #4163EC-CA or #4163EC-MB

LEGACY	NGP	PEMKO	ZERO
<b>7163</b>	420N	430ARL	361AA



#7163CA

**#7263**



**Semi-Mortised**

**FINISHES: CA, BK, DB, GD, WP**

**AVAILABLE SIZES:** Can be manufactured to any length from 12" to 144"

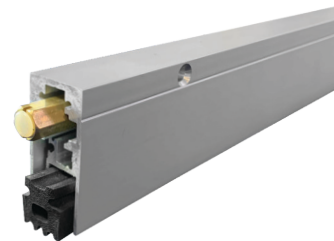
**OPTIONS:**

- EA** - Electrical Actuator      **PULL** - Pull Out      **SL** - Sliding Doors
- FL** - Fire Label                  **PV** - Pivot Doors      **TD** - Top Door Installation
- LS** - Light Spring              **SF** - Security Fasteners

**NOTES:**

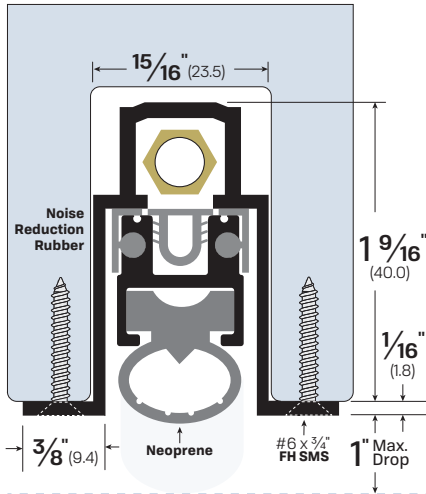
- Adjusting the brass nut changes pressure on concealed internal spring to satisfy field conditions.
- Self-leveling door seal up to maximum 1" drop.
- Replacement closed cell sponge neoprene - Part #4363SPR
- Unit supplied with 1 pair of end caps - Part #4163EC-CA or #4163EC-MB

LEGACY	NGP	PEMKO	ZERO
<b>7263</b>	420NHM	430ARL	362AA



#7263CA

**#7463**



**Mortised**

**FINISHES: CA**

**AVAILABLE SIZES:** Can be manufactured to any length from 12" to 144"

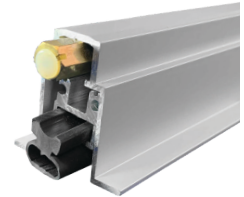
**OPTIONS:**

- EA** - Electrical Actuator
- FL** - Fire Label
- FX** - Intumescent
- LS** - Light Spring
- PULL** - Pull Out
- PV** - Pivot Doors
- SF** - Security Fasteners
- SL** - Sliding Doors
- TD** - Top Door Installation

**NOTES:**

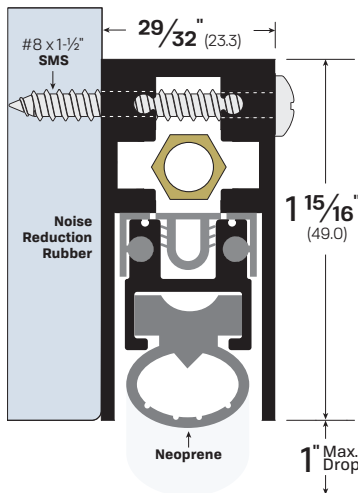
- Adjusting the brass nut changes pressure on concealed internal spring to satisfy field conditions.
- Self-leveling door seal up to maximum 1" drop.
- Replacement closed cell sponge neoprene - Part #4563N
- Unit supplied with 1 pair of end caps - Part #4063EC-CA or #4063EC-MB

LEGACY	NGP	PEMKO	ZERO
<b>7463</b>	522N	434APKL	364AA



#7463CA

**#7563**



**Surface-Mounted**

**FINISHES: CA, BK, DB, GD, WP**

**AVAILABLE SIZES:** Can be manufactured to any length from 12" to 144"

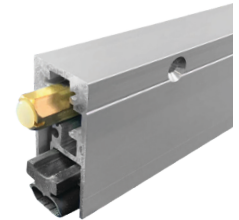
**OPTIONS:**

- EA** - Electrical Actuator
- EMI/RFI** - Electromagnetic/Radio Frequency Interference
- FL** - Fire Label
- FX** - Intumescent
- LS** - Light Spring
- PULL** - Pull Out
- PV** - Pivot Doors
- SF** - Security Fasteners
- SL** - Sliding Doors

**NOTES:**

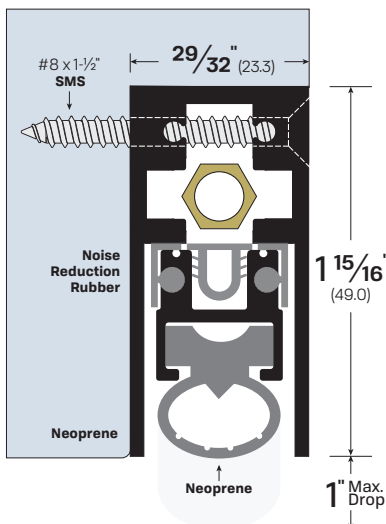
- Adjusting the brass nut changes pressure on concealed internal spring to satisfy field conditions.
- Self-leveling door seal up to maximum 1" drop.
- Replacement neoprene - Part #4563N
- Unit supplied with 1 pair of end caps - Part #4163EC-CA or #4163EC-MB

LEGACY	NGP	PEMKO	ZERO
<b>7563</b>	520N	4301APKL	365AA



#7563CA

**#7663**



**Semi-Mortised**

**FINISHES: CA, BK, DB, GD, WP**

**AVAILABLE SIZES:** Can be manufactured to any length from 12" to 144"

**OPTIONS:**

- EA** - Electrical Actuator
- EMI/RFI** - Electromagnetic/Radio Frequency Interference
- FL** - Fire Label
- FX** - Intumescent
- LS** - Light Spring
- PULL** - Pull Out
- PV** - Pivot Doors
- SF** - Security Fasteners
- SL** - Sliding Doors
- TD** - Top Door Installation

**NOTES:**

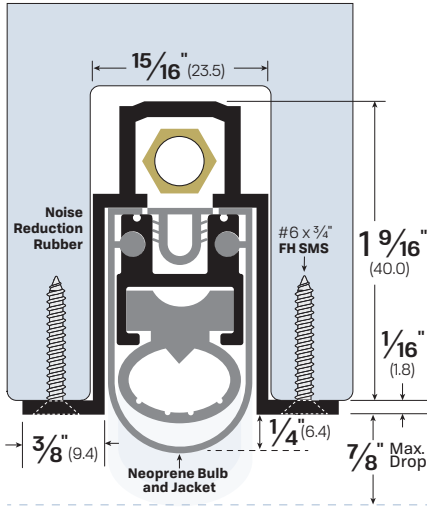
- Adjusting the brass nut changes pressure on concealed internal spring to satisfy field conditions.
- Self-leveling door seal up to maximum 1" drop.
- Replacement neoprene - Part #4563N
- Unit supplied with 1 pair of end caps - Part #4163EC-CA or #4163EC-MB

LEGACY	NGP	PEMKO	ZERO
<b>7663</b>	520NHM	4301APKL	366AA



#7663CA

**#7963**  



**Mortised**

**FINISHES: CA**

**AVAILABLE SIZES:** Can be manufactured to any length from 12" to 96"

**OPTIONS:**

**EA** - Electrical Actuator    **FX** - Intumescent    **PV** - Pivot Doors  
**FL** - Fire Label    **PULL** - Pull Out    **SF** - Security Fasteners

**NOTES:**

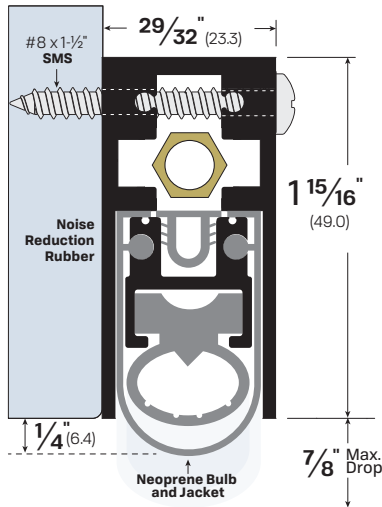
- Adjusting the brass nut changes pressure on concealed internal spring to satisfy field conditions.
- Self-leveling door seal up to maximum 7/8" drop.
- Replacement neoprene - Part #4563N and Jacket - Part #4763N
- Unit supplied with 1 pair of end caps - Part #4063EC-CA or #4063EC-MB



#7963CA

LEGACY	NGP	PEMKO	ZERO
<b>7963</b>	-	-	369AA

**#7763**  



**Surface-Mounted**

**FINISHES: CA, BK, DB, GD, WP**

**AVAILABLE SIZES:** Can be manufactured to any length from 12" to 96"

**OPTIONS:**

**EA** - Electrical Actuator    **FX** - Intumescent    **PV** - Pivot Doors  
**FL** - Fire Label    **PULL** - Pull Out    **SF** - Security Fasteners

**NOTES:**

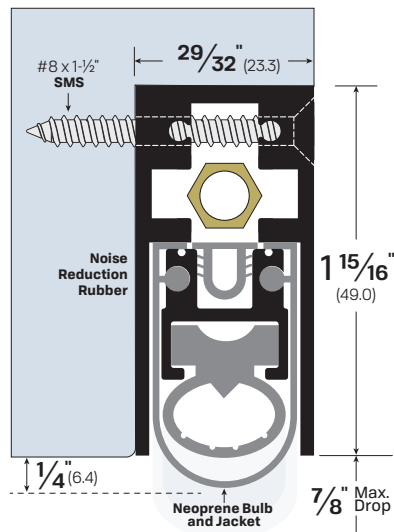
- Adjusting the brass nut changes pressure on concealed internal spring to satisfy field conditions.
- Self-leveling door seal up to maximum 7/8" drop.
- Replacement neoprene - Part #4563N and Jacket - Part #4763N
- Unit supplied with 1 pair of end caps - Part #4163EC-CA or #4163EC-MB



#7763CA

LEGACY	NGP	PEMKO	ZERO
<b>7763</b>	-	-	367AA

**#7863**  



**Semi-Mortised**

**FINISHES: CA, BK, DB, GD, WP**

**AVAILABLE SIZES:** Can be manufactured to any length from 12" to 96"

**OPTIONS:**

**EA** - Electrical Actuator    **FL** - Fire Label    **PULL** - Pull Out  
**FX** - Intumescent    **SF** - Security Fasteners    **PV** - Pivot Doors

**NOTES:**

- Adjusting the brass nut changes pressure on concealed internal spring to satisfy field conditions.
- Self-leveling door seal up to maximum 7/8" drop.
- Replacement neoprene - Part #4563N and Jacket - Part #4763N
- Unit supplied with 1 pair of end caps - Part #4163EC-CA or #4163EC-MB

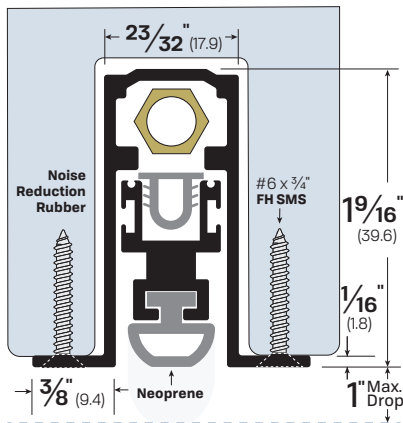


#7863CA

LEGACY	NGP	PEMKO	ZERO
<b>7863</b>	-	-	368AA



**#7053**  




**Mortised**

**FINISHES: CA**

**AVAILABLE SIZES:** Can be manufactured to any length from 12" to 144"

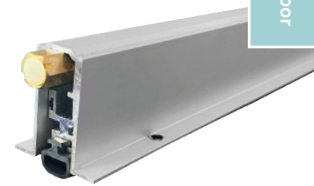
**OPTIONS:**

- AIR** - Air Flow
- EA** - Electrical Actuator
- LL** - Lead Lined
-  **LS** - Light Spring
- PULL** - Pull Out
- PV** - Pivot Doors
- SF** - Security Fasteners
- SL** - Sliding Doors
- TD** - Top Door Installation

**NOTES:**

- Adjusting the brass nut changes pressure on concealed internal spring to satisfy field conditions.
- Self-leveling door seal up to maximum 1" drop.
- Replacement neoprene - Part #4053N or optional Part #4441N
- Unit supplied with 1 pair of end caps - Part #4063EC-CA or #4063EC-MB

LEGACY	NGP	PEMKO	ZERO
<b>7053</b>	225N	434APKL	350AA

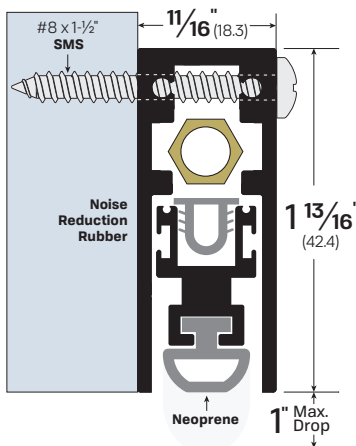


#7053CA



Optional Silicone insert Part #4441S-BK

**#7153**  




**Surface-Mounted**

**FINISHES: CA, BK, WP**

**AVAILABLE SIZES:** Can be manufactured to any length from 12" to 144"

**OPTIONS:**

- AIR** - Air Flow
- EA** - Electrical Actuator
- FL** - Fire Label
- LL** - Lead Lined
-  **LS** - Light Spring
- PULL** - Pull Out
- PV** - Pivot Doors
- SF** - Security Fasteners
- SL** - Sliding Doors

**NOTES:**

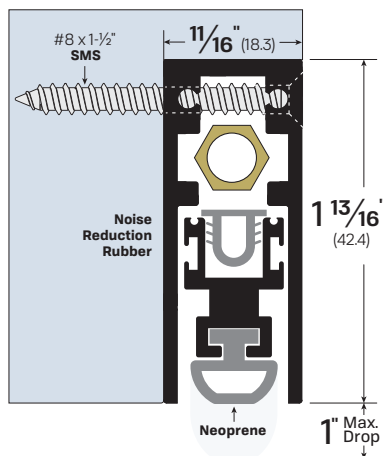
- Adjusting the brass nut changes pressure on concealed internal spring to satisfy field conditions.
- Self-leveling door seal up to maximum 1" drop.
- Replacement neoprene - Part #4053N or optional Part #4441N
- Unit supplied with 1 pair of end caps - Part #4153EC-CA or #4153EC-MB

LEGACY	NGP	PEMKO	ZERO
<b>7153</b>	222N	4131ASL	351AA



#7153CA

**#7253**  




**Semi-Mortised**

**FINISHES: CA, BK, WP**

**AVAILABLE SIZES:** Can be manufactured to any length from 12" to 144"

**OPTIONS:**

- AIR** - Air Flow
- FL** - Fire Label
- LL** - Lead Lined
-  **LS** - Light Spring
- SF** - Security Fasteners
- PULL** - Pull Out
- PV** - Pivot Doors
- EA** - Electrical Actuator
- SL** - Sliding Doors
- TD** - Top Door Installation

**NOTES:**

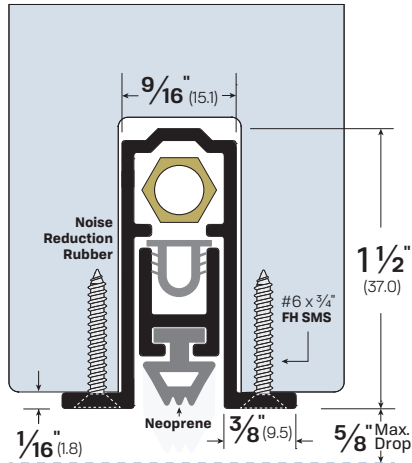
- Adjusting the brass nut changes pressure on concealed internal spring to satisfy field conditions.
- Self-leveling door seal up to maximum 1" drop.
- Replacement neoprene - Part #4053N or optional Part #4441N
- Unit supplied with 1 pair of end caps - Part #4153EC-CA or #4153EC-MB

LEGACY	NGP	PEMKO	ZERO
<b>7253</b>	222N	4131ASL	352AA



#7253CA

**#7023**



**Mortised**

**FINISHES: CA**

**AVAILABLE SIZES:** Can be manufactured to any length from 12" to 144"

**OPTIONS:**

- AIR** - Air Flow
- FL** - Fire Label
- EA** - Electrical Actuator
- LS** - Light Spring
- PULL** - Pull Out
- PV** - Pivot Doors
- SF** - Security Fasteners
- SL** - Sliding Doors
- TD** - Top Door Installation

**NOTES:**

- Adjusting the brass nut changes pressure on concealed internal spring to satisfy field conditions.
- Self-leveling door seal up to maximum 5/8" drop.
- Replacement neoprene - Part #4023N
- Unit supplied with 1 pair of end caps - Part #4063EC-CA or #4063EC-MB

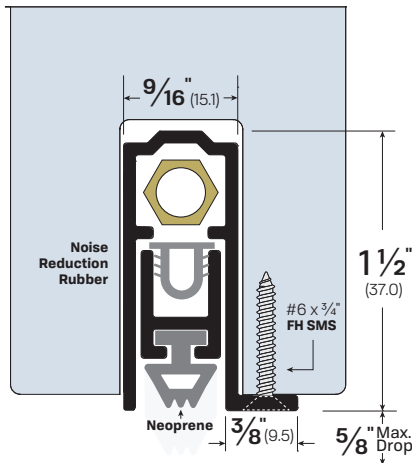
LEGACY	NGP	PEMKO	ZERO
<b>7023</b>	335N	411ARL	320AA



#7023CA



**#7323**



**Mortised**

**FINISHES: CA**

**AVAILABLE SIZES:** Can be manufactured to any length from 12" to 144"

**OPTIONS:**

- AIR** - Air Flow
- EA** - Electrical Actuator
- FL** - Fire Label
- LS** - Light Spring
- PULL** - Pull Out
- PV** - Pivot Doors
- SF** - Security Fasteners
- SL** - Sliding Doors
- TD** - Top Door Installation

**NOTES:**

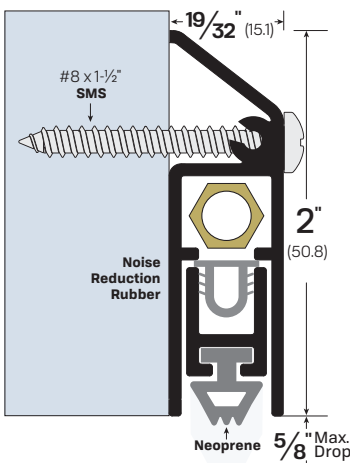
- For doors smaller than 1-3/4"
- Adjusting the brass nut changes pressure on concealed internal spring to satisfy field conditions.
- Self-leveling door seal up to maximum 5/8" drop.
- Unit is handed and can be reversed upon request.
- Replacement neoprene - Part #4023N
- Unit supplied with 1 pair of end caps - Part #4063EC-CA or #4063EC-MB

LEGACY	NGP	PEMKO	ZERO
<b>7323</b>	-	-	323AA



#7323CA

**#7123**



**Surface-Mounted**

**FINISHES: CA, BK, WP**

**AVAILABLE SIZES:** Can be manufactured to any length from 12" to 144"

**OPTIONS:**

- AIR** - Air Flow
- EA** - Electrical Actuator
- FL** - Fire Label
- LS** - Light Spring
- PULL** - Pull Out
- PV** - Pivot Doors
- SF** - Security Fasteners
- SL** - Sliding Doors

**NOTES:**

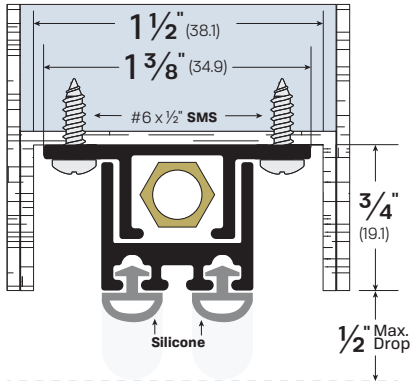
- Adjusting the brass nut changes pressure on concealed internal spring to satisfy field conditions.
- Self-leveling door seal up to maximum 5/8" drop.
- Unit is handed and can be reversed upon request.
- Replacement neoprene - Part #4023N
- No end caps provided

LEGACY	NGP	PEMKO	ZERO
<b>7123</b>	220N	412ARL	321AA



#7123CA

**#7553**



**Mortised**

**FINISHES: MA**

**AVAILABLE SIZES:** Can be manufactured to any length from 12" to 144"

**OPTIONS:**

- AIR** - Air Flow
- EA** - Electrical Actuator
- FL** - Fire Label
- LIG** - Ligature Resistant
- LS** - Light Spring
- PV** - Pivot Doors
- SF** - Security Fasteners
- SL** - Sliding Doors
- TD** - Top Door Installation

**NOTES:**

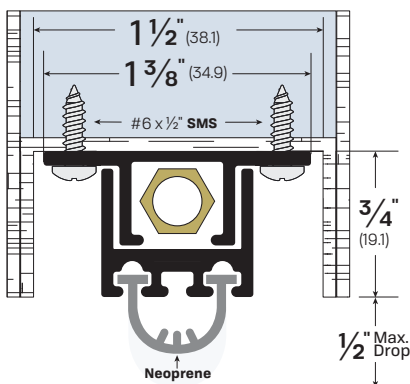
- For use on 1-3/4" and larger Hollow Metal doors
- Adjusting the brass nut changes pressure on concealed internal spring to satisfy field conditions.
- Self-leveling door seal up to maximum 1/2" drop.
- Replacement neoprene - Part #4075N
- No end caps provided



#7553CA

LEGACY	NGP	PEMKO	ZERO
<b>7553</b>	320N	420APK	355A

**#71553**



**Mortised**

**FINISHES: MA**

**AVAILABLE SIZES:** Can be manufactured to any length from 12" to 144"

**OPTIONS:**

- EA** - Electrical Actuator
- FL** - Fire Label
- LS** - Light Spring
- PV** - Pivot Doors
- SF** - Security Fasteners
- SL** - Sliding Doors
- TD** - Top Door Installation

**NOTES:**

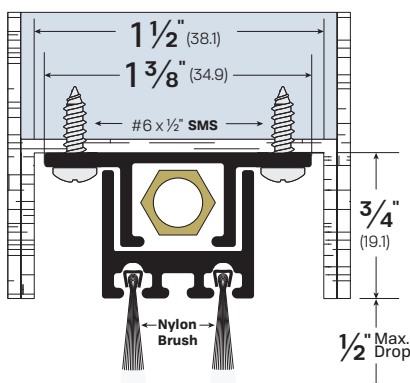
- For use on 1 3/4" and larger Hollow Metal doors
- Adjusting the brass nut changes pressure on concealed internal spring to satisfy field conditions.
- Self-leveling door seal up to maximum 1/2" drop.
- Replacement neoprene - Part #434N
- No end caps provided



#71553CA

LEGACY	NGP	PEMKO	ZERO
<b>71553</b>	-	-	3551A

**#72553**



**Mortised**

**FINISHES: MA**

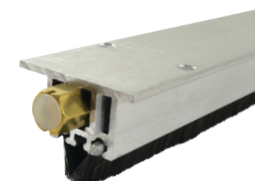
**AVAILABLE SIZES:** Can be manufactured to any length from 12" to 144"

**OPTIONS:**

- AIR** - Air Flow
- EA** - Electrical Actuator
- LS** - Light Spring
- LIG** - Ligature Resistant
- PV** - Pivot Doors
- SF** - Security Fasteners
- SL** - Sliding Doors
- TD** - Top Door Installation

**NOTES:**

- For use on 1-3/4" and larger Hollow Metal doors
- Adjusting the brass nut changes pressure on concealed internal spring to satisfy field conditions.
- Self-leveling door seal up to maximum 1/2" drop.
- Replacement Nylon Brush - Part #4075NB
- No end caps provided



#72553CA

LEGACY	NGP	PEMKO	ZERO
<b>72553</b>	-	-	3552A

## Extended Drop (Patent Pending)

Developed in response to specific user requirements, our new extended drop automatic door bottom solves two common problems. Its integrated design features a unique sloped top casing designed to slough off rain water and prevent pooling on top of the ADB housing in exterior applications. It simplifies installation by eliminating the need for adding a separate rain drip part to the door bottom.

Providing up to a 1.5 inch drop, deeper than typical ADBs, this unit is also designed to help compensate for drop differentials found in door installations with large gradients or slope conditions on one side of the door. The deep drop can also be useful for exterior installations where floor surfaces may be degraded by weather exposure. The deeper drop allows smooth door function in spite these conditions, which can otherwise cause door bottoms to drag and stick.

**FINISHES:** CA, MB, WP

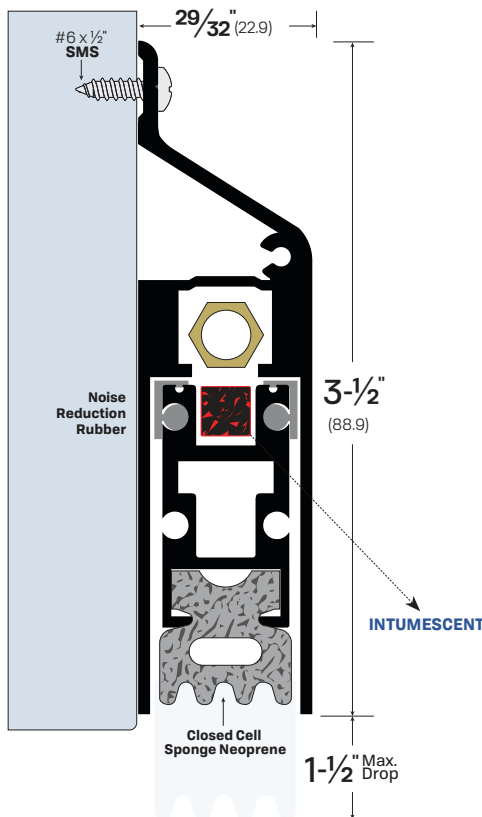
**AVAILABLE SIZES:** Can be manufactured to any length from 12" to 96"

**OPTIONS:** FX - Intumescent    SF - Security Fasteners

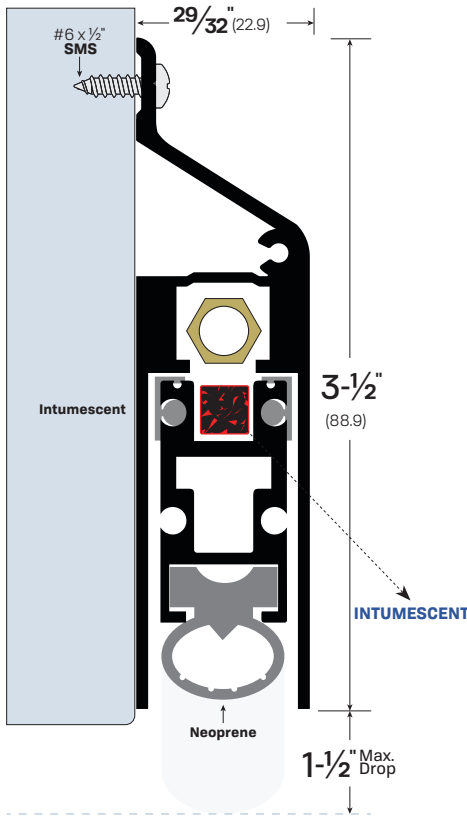
**NOTES:**

- For use on doors with an excessive undercut or uneven floor.
- Adjusting the brass nut changes pressure on concealed internal spring to satisfy field conditions.
- Self-leveling door seal up to maximum 1-1/2" drop.
- Unit supplied with 1 pair of end caps - Part #4093EC-CA or #4093EC-MB

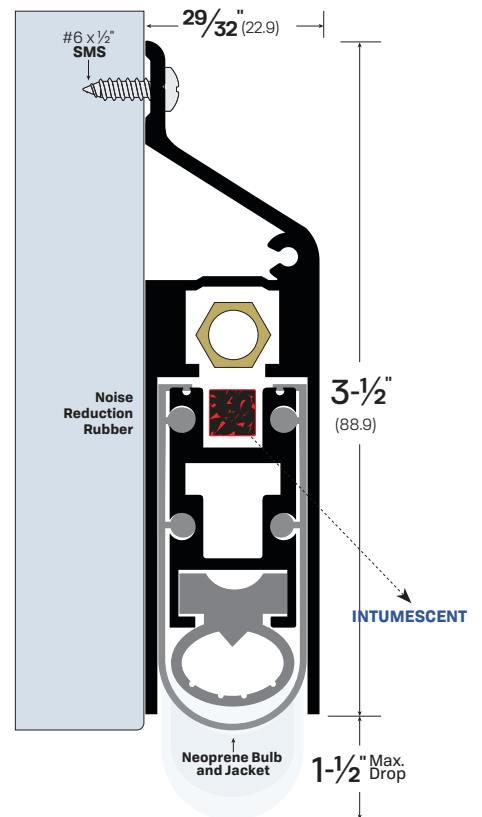
### #7093-FX



### #7593-FX



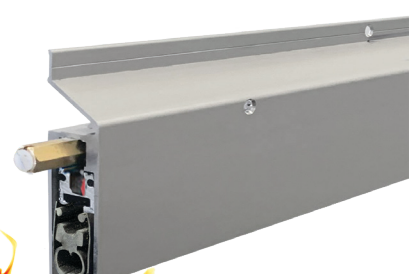
### #7793-FX



#7093-FX



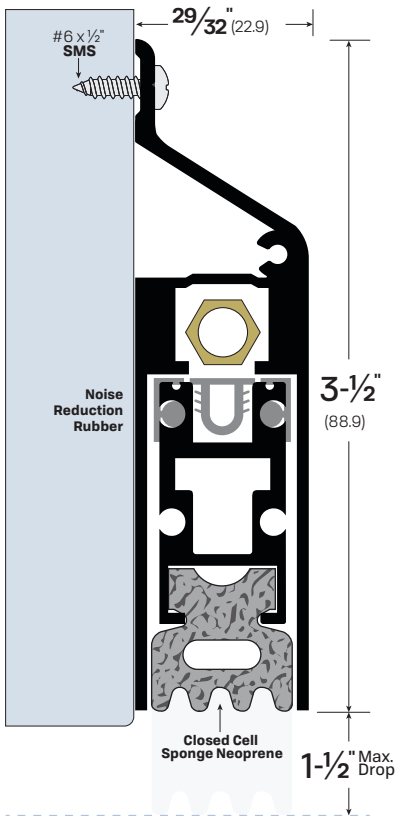
#7593-FX



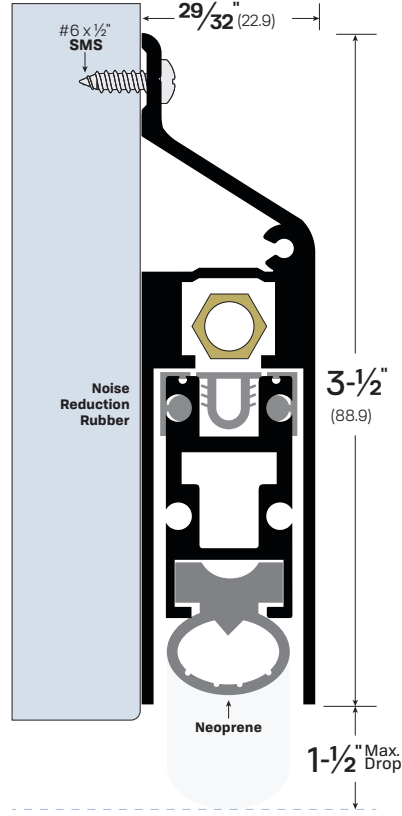
#7793-FX



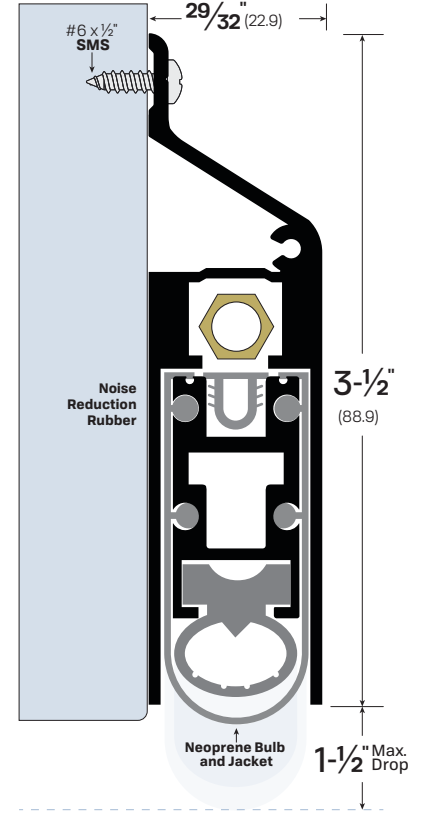
**#7093**



**#7593**



**#7793**



**FINISHES:** CA, MB, WP

**AVAILABLE SIZES:** Can be manufactured to any length from 12" to 96"

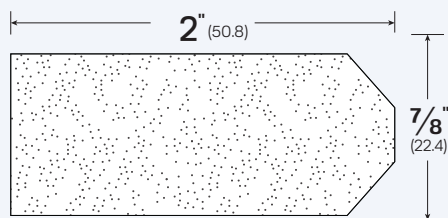
**OPTIONS:** FX - Intumescent    SF - Security Fasteners

**NOTES:**

- For use on doors with an excessive undercut or uneven floor.
- Adjusting the brass nut changes pressure on concealed internal spring to satisfy field conditions.
- Self-leveling door seal up to maximum 1-1/2" drop.
- Unit supplied with 1 pair of end caps - Part #4093EC-CA or #4093EC-MB



**#545DP Corner Dust Plug**



**FINISHES:** BK, GY, WH



**HOW TO ORDER:** #545DP

LEGACY	NGP	PEMKO	ZERO
<b>545DP</b>	54CP	ACP112BL	2541



## Air Flow

This option allows free flow of air while still blocking light at the bottom of the door. Useful for applications with pressure differentials, such as boiler room doors, it is also a practical solution for certain hotel room and stairwell applications.

Our AIR design features double rows of notched and staggered neoprene seals for effective air flow. Legacy automatic door bottoms offered with the AIR option include a unique mortised model for wood doors, along with standard semi-mortised and surface-mounted models.

LEGACY	7053-AIR	7153-AIR	7253-AIR
NGP	-	-	-
PEMKO	-	-	-
ZERO	-	-	-

**AVAILABLE SIZES:** Can be manufactured to any length from 12" to 144"

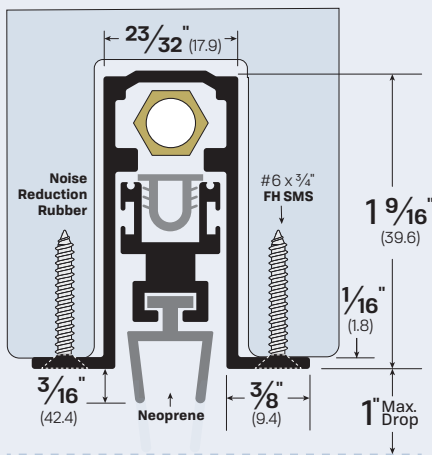
**NOTES:**

- Adjusting the brass nut changes pressure on concealed internal spring to satisfy field conditions.
- Self-leveling door seal up to maximum 1" drop.
- Replacement neoprene - Part #4033N
- Unit supplied with 1 pair of end caps - Part #4063EC-CA or #4063EC-MB



#7153CA-AIR

### #7053-AIR

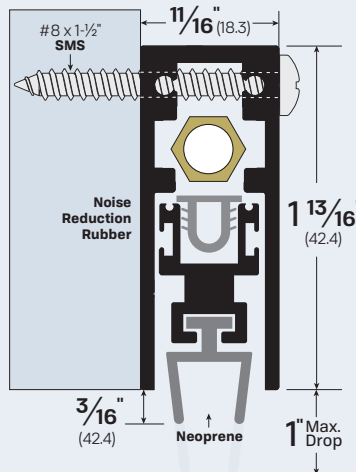


**FINISHES:** CA

**OPTIONS:**

- EA** - Electrical Actuator    **PV** - Pivot Door  
**LS** - Light Spring            **SF** - Security Fasteners  
**PULL** - Pull Out

### #7153-AIR

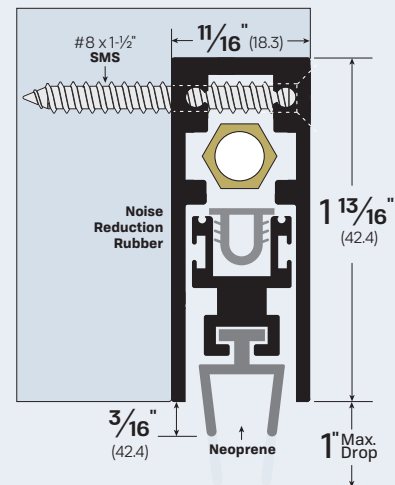


**FINISHES:** CA, BK, WP

**OPTIONS:**

- EA** - Electrical Actuator    **PV** - Pivot Door  
**LS** - Light Spring            **SF** - Security Fasteners  
**PULL** - Pull Out

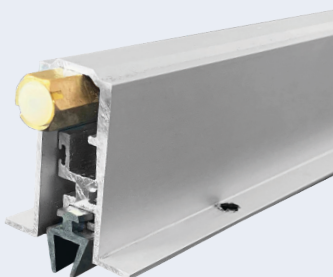
### #7253-AIR



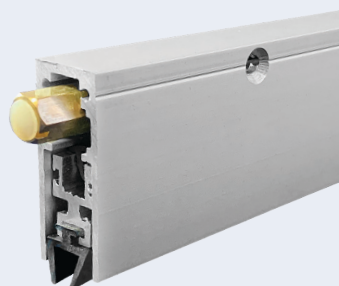
**FINISHES:** CA, BK, WP

**OPTIONS:**

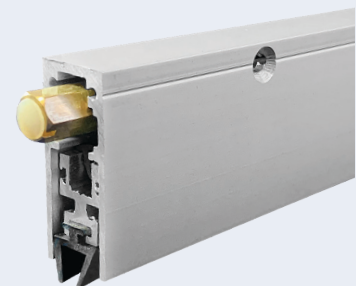
- EA** - Electrical Actuator    **PV** - Pivot Door  
**LS** - Light Spring            **SF** - Security Fasteners  
**PULL** - Pull Out



#7053CA-AIR

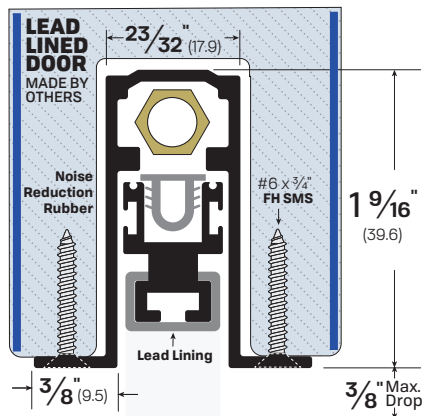


#7153CA-AIR



#7253CA-AIR

## #7053-LL



### Mortised

**FINISHES: CA**

**AVAILABLE SIZES** - Can be manufactured to any length from 12" to 48"

**OPTIONS:**

- EA** - Electrical Actuator      **PV** - Pivot Doors      **SL** - Sliding Doors
- LL** - Lead Lined                  **SF** - Security Fasteners      **TD** - Top Door Installation
- PULL** - Pull Out

**NOTES:**

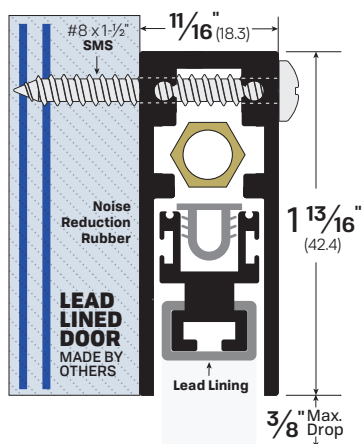
- Lead Lined material for X-Ray protection
- Adjusting the brass nut changes pressure on concealed internal spring to satisfy field conditions.
- Self-leveling door seal up to maximum 3/8" drop.
- Unit supplied with 1 pair of end caps - Part #4063EC-CA or #4063EC-MB
- Effective drop 1/4"

LEGACY	NGP	PEMKO	ZERO
<b>7053-LL</b>	222NN-LL	-	-



#7053CA-LL

## #7153-LL



### Surface-Mounted

**FINISHES: CA, BK, WP**

**AVAILABLE SIZES** - Can be manufactured to any length from 12" to 48"

**OPTIONS:**

- EA** - Electrical Actuator      **PV** - Pivot Doors      **SL** - Sliding Doors
- LL** - Lead Lined                  **SF** - Security Fasteners      **TD** - Top Door Installation
- PULL** - Pull Out

**NOTES:**

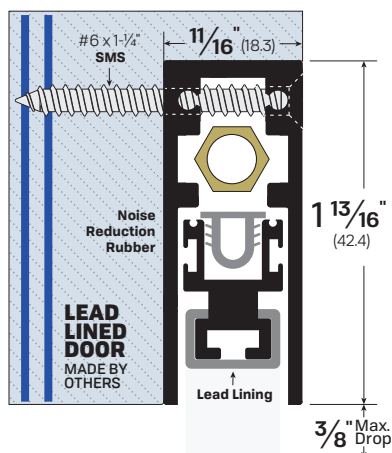
- Lead Lined material for X-Ray protection
- Adjusting the brass nut changes pressure on concealed internal spring to satisfy field conditions.
- Self-leveling door seal up to maximum 3/8" drop.
- Unit supplied with 1 pair of end caps - Part #4153EC-CA or #4153EC-MB

LEGACY	NGP	PEMKO	ZERO
<b>7153-LL</b>	222NN-LL	-	-



#7153CA-LL

## #7253-LL



### Semi-Mortised

**FINISHES: CA, BK, WP**

**AVAILABLE SIZES** - Can be manufactured to any length from 12" to 48"

**OPTIONS:**

- EA** - Electrical Actuator      **PV** - Pivot Doors      **TD** - Top Door Installation
- LL** - Lead Lined                  **SL** - Sliding Doors      **SF** - Security Fasteners

**NOTES:**

- Lead Lined material for X-Ray protection
- Adjusting the brass nut changes pressure on concealed internal spring to satisfy field conditions.
- Self-leveling door seal up to maximum 3/8" drop.
- Unit supplied with 1 pair of end caps - Part #4153EC-CA or #4153EC-MB

LEGACY	NGP	PEMKO	ZERO
<b>7253-LL</b>	222NN-LL	-	-



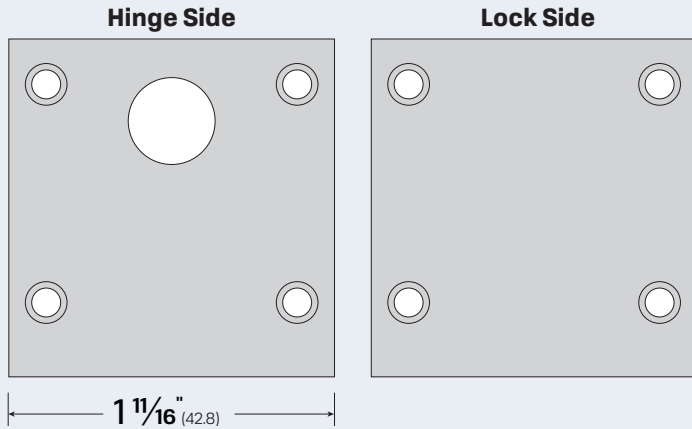
#7253CA-LL

## End Caps

### NOTES:

- Standard finish is Clear Anodized Aluminum (CA). Pair supplied standard as noted below.
- Matte Black (MB) finish option is available. Example Order: #4153EC-MB

## #749EC



**#749EC-SP**  
 Optional end cap for mortised door bottoms with the PULL option. Specify #749EC to order.



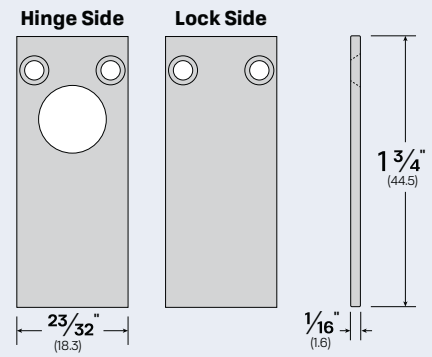
## #2INCHNUT

Extension Nut

### NOTES:

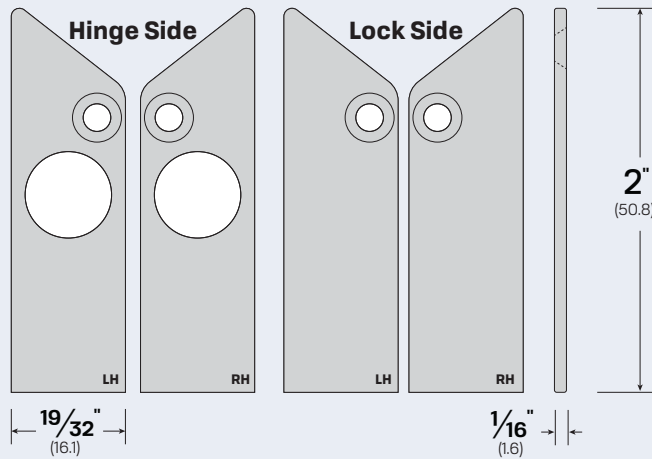
- Longer than standard hexnut (1-1/4").
- Compensates for unusually large gap between the door and frame.

## #4153EC



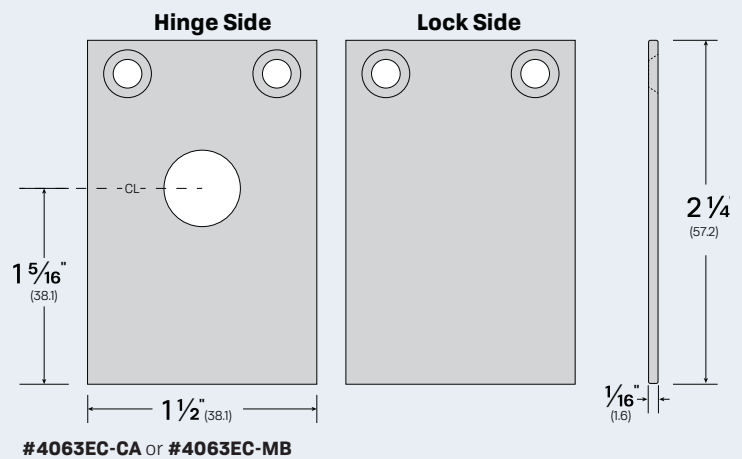
**#4153EC-CA** or **#4153EC-MB**  
 Pair supplied standard with: #7153, #7253

## #4123EC



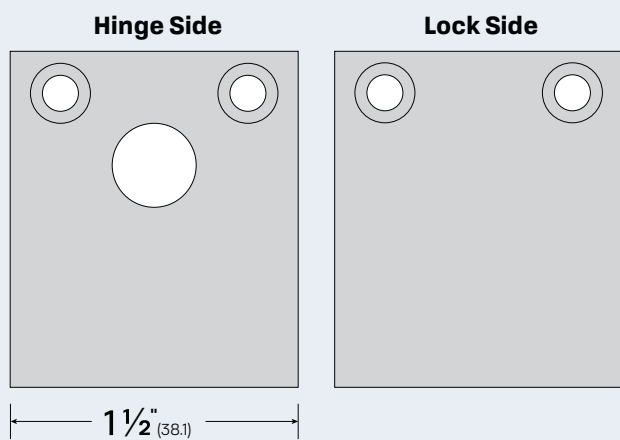
**#4123EC-CA** or **#4123EC-MB**  
 Pair supplied standard with: #7123

## #4063EC



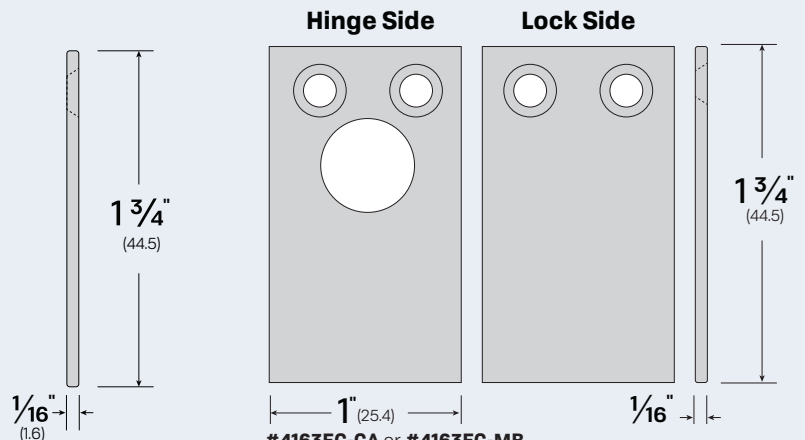
**#4063EC-CA** or **#4063EC-MB**  
 Pair supplied standard with: #7053, #7063, #7463, #7963

## #4023EC



**#4023EC-CA** or **#4023EC-MB**  
 Pair supplied standard with: #7023, #7323

## #4163EC



**#4163EC-CA** or **#4163EC-MB**  
 Pair supplied standard with: #7163, #7263, #7563, #7663, #7763, #7863



# How To Order: Door Sweeps

EXAMPLE #7823CA-LIG-36

**Easy Ways To Order**
**Email**

Orders@LegacyLLC.com

**Phone**

 Local: +1 (718) 292-5333  
 Toll Free: +1 (888) 383-3330

**PART NUMBER & FINISH - OPTIONS - LENGTH**
**7823**
**CA**
**LIG**
**36**

PART #	7823	
	7452	78918
711	7452	78918
712	7552	79408N
718	7583	7W933
725	7752	
727	7774	
735	7823	
739	7835	
759	7836	
769	7852	
779	7891	
793	7923	
5241	7933	
7011	7936	
7111	7991	
7112	71518	
7115	71918	
7175	72918	
7178	73918	
7183	74453	
7283	74918	
7254	76453	
7351	77918	
7352	79418	
7451		

FINISH	7823	
	7452	78918
Finishes vary by product. Please check available finishes listed for each product.		
<b>CA</b>	Clear Anodized Aluminum	
<b>MA</b>	Mill Aluminum	
<b>BK</b>	Black Anodized Aluminum	
<b>DB</b>	Dark Bronze Anodized Aluminum	
<b>MB</b>	Matte Black Powder Coat	
<b>WP</b>	White Powder Coat	
<b>BR</b>	Architectural Bronze	
<b>SS</b>	Stainless Steel	

OPTIONS	7823	
	7452	78918
Options vary by product. Please check available options listed for each product.		
<b>Blank</b>	No Option	
<b>AIR</b>	Air Flow	
<b>FL</b>	Fire Label	
<b>LIG</b>	Ligature Resistant	
<b>NIT</b>	Nitrile Extrusion	
<b>ORB</b>	Oil-Rubbed Bronze	
<b>POL</b>	Polished Bronze	
<b>PSA</b>	Pressure Sensitive Adhesive	
<b>SF</b>	Security Fasteners	

LENGTH	7823
	Please specify to nearest 1/16"



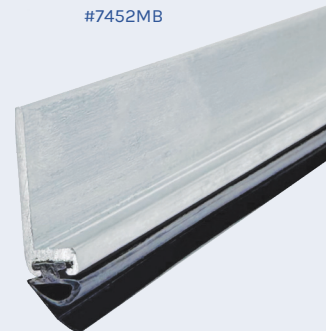
#7933SS



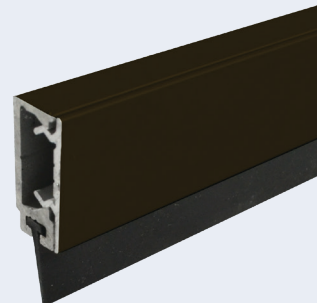
#7183MA



#7452MB



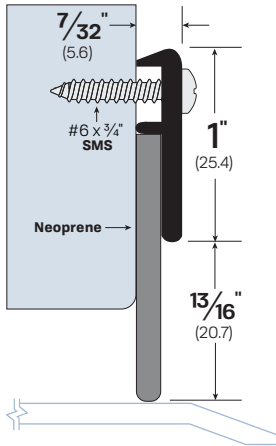
#799MA



#7774DB

Door Sweeps

**#7933**



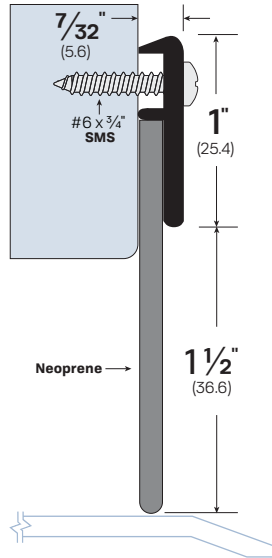
**FINISHES:** CA, BK, WP, BR

**OPTIONS:**

- FL - Fire Label
- LIG - Ligature Resistant
- ORB - Oil-Rubbed Bronze
- POL - Polished Bronze
- SF - Security Fasteners

LEGACY	NGP	PEMKO	ZERO
<b>7933</b>	198A	321N	339AA

**#7W933**



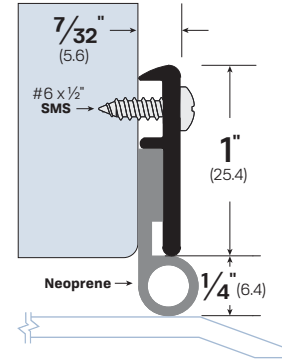
**FINISHES:** CA, BK, WP, BR

**OPTIONS:**

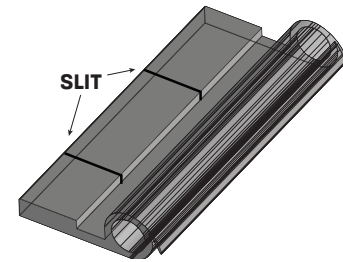
- FL - Fire Label
- LIG - Ligature Resistant
- ORB - Oil-Rubbed Bronze
- POL - Polished Bronze
- SF - Security Fasteners

LEGACY	NGP	PEMKO	ZERO
<b>7W933</b>	197A	321	339WA

**#7823**



**LIG - Ligature Resistant**  
Slits spaced every 8"



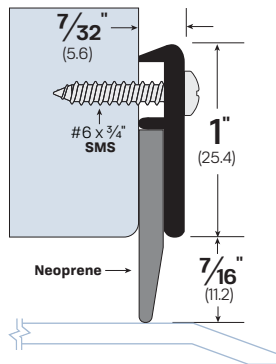
**FINISHES:** CA, BK, WP, BR

**OPTIONS:**

- FL - Fire Label
- LIG - Ligature Resistant
- ORB - Oil-Rubbed Bronze
- POL - Polished Bronze
- SF - Security Fasteners

LEGACY	NGP	PEMKO	ZERO
<b>7823</b>	137A	319N	328AA

**#7923**



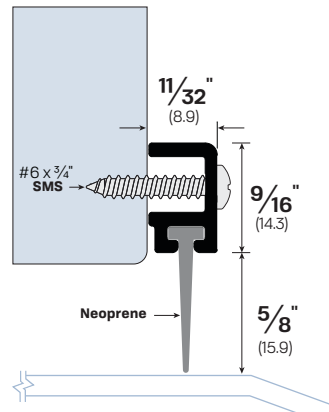
**FINISHES:** CA, BK, WP, BR

**OPTIONS:**

- BR - Architectural Bronze
- ORB - Oil-Rubbed Bronze
- POL - Polished Bronze
- SF - Security Fasteners

LEGACY	NGP	PEMKO	ZERO
<b>7923</b>	198A	-	329AA

**#7583**



**FINISHES:** CA, BK, WP

**OPTIONS:**

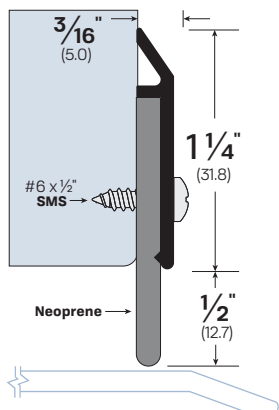
- FL - Fire Label
- SF - Security Fasteners

LEGACY	NGP	PEMKO	ZERO
<b>7583</b>	-	-	-



Door Sweep #793CA mounted to a door.

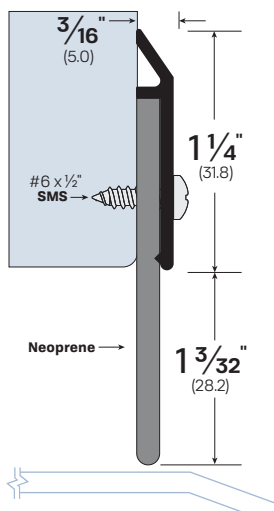
**#793**



**FINISHES:** MA, DB, MB, WP, SS  
**OPTIONS:** SF - Security Fasteners

LEGACY	NGP	PEMKO	ZERO
<b>793</b>	200N	315CN	39A

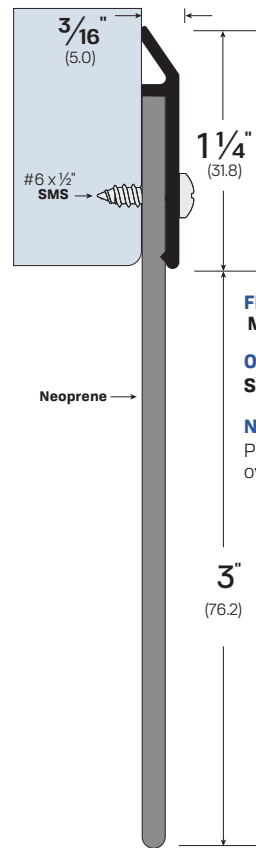
**#7836**



**FINISHES:** MA, DB, MB, WP, SS  
**OPTIONS:** SF - Security Fasteners

LEGACY	NGP	PEMKO	ZERO
<b>7836</b>	199N	315KN	39WA

**#7936**



**FINISHES:** MA, DB, MB, WP, SS

**OPTIONS:** SF - Security Fasteners

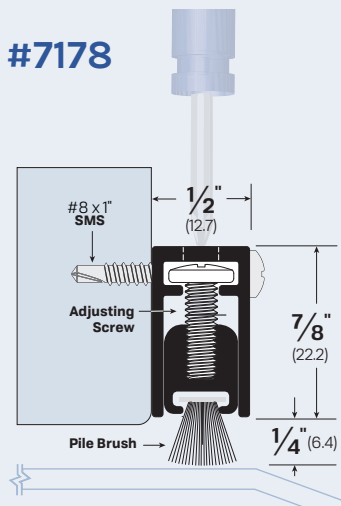
**NOTES:** Perfect for oversized gaps

LEGACY
<b>7936</b>
NGP
-
PEMKO
-
ZERO
639AA

Door Sweeps

**ADJUSTABLE DOOR SWEEPS**

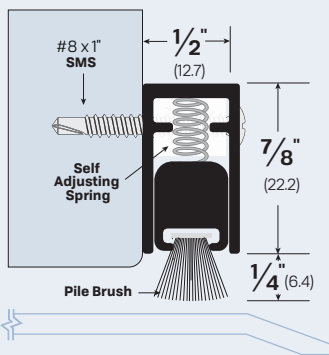
**#7178**



**FINISHES:** CA, BK, WP  
**OPTIONS:** SF - Security Fasteners

LEGACY	NGP	PEMKO	ZERO
<b>7178</b>	140P	351_P	871AA

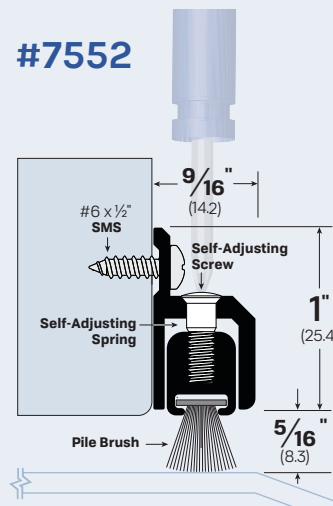
**#7175**



**FINISHES:** CA, BK, WP  
**OPTIONS:** SF - Security Fasteners

LEGACY	NGP	PEMKO	ZERO
<b>7175</b>	-	-	571AA

**#7552**



**FINISHES:** CA, BK, WP  
**OPTIONS:** SF - Security Fasteners

LEGACY	NGP	PEMKO	ZERO
<b>7552</b>	140P	351_P	255A



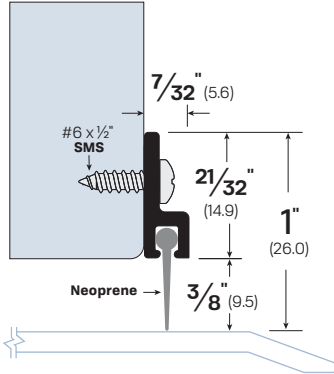
Door Sweep #74918 mounted to a pair of doors.



#72918CA

#73918CA

### #74918



**FINISHES:** CA, BK, WP

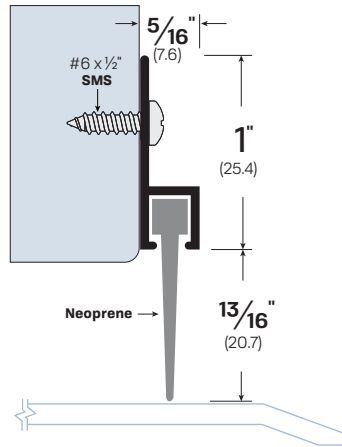
**OPTIONS:**

FL - Fire Label SF - Security Fasteners

PSA - Pressure Sensitive Adhesive

LEGACY	NGP	PEMKO	ZERO
74918		308APK	8194AA

### #71918

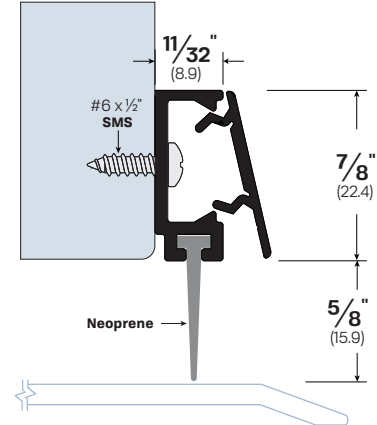


**FINISHES:** CA, BK, WP

**OPTIONS:** SF - Security Fasteners

LEGACY	NGP	PEMKO	ZERO
71918	97V	307	8191AA

### #7774



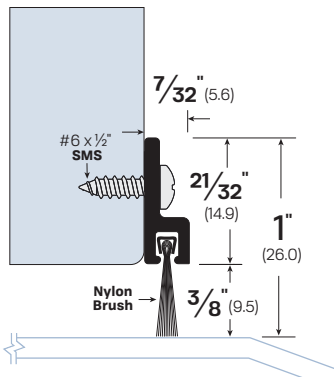
**FINISHES:** CA, BK, WP

**OPTIONS:** FL - Fire Label

**NOTES:** End caps available by request #474CA-EC

LEGACY	NGP	PEMKO	ZERO
7774	678	29326	477AA

### #73918



**FINISHES:** CA, BK, WP

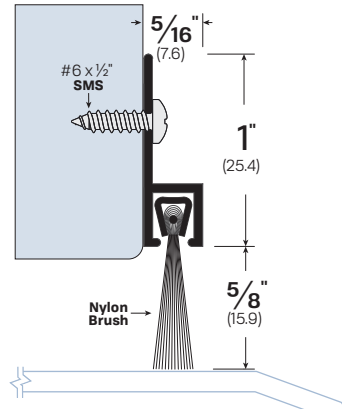
**OPTIONS:**

SF - Security Fasteners

PSA - Pressure Sensitive Adhesive

LEGACY	NGP	PEMKO	ZERO
73918	A605	18041CNB	8193AA

### #72918



**FINISHES:** CA, BK, WP

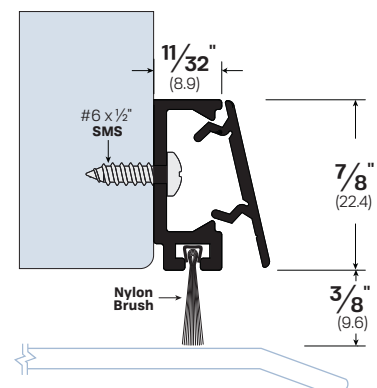
**OPTIONS:**

PSA - Pressure Sensitive Adhesive

SF - Security Fasteners

LEGACY	NGP	PEMKO	ZERO
72918	C607	18061ANB	8192AA

### #718

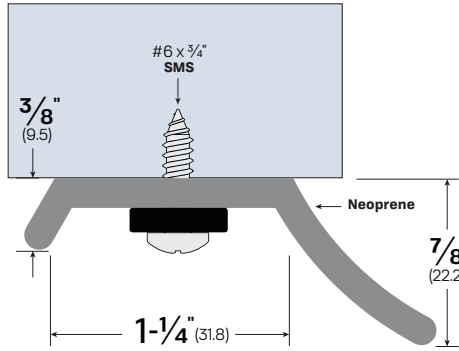


**FINISHES:** CA, BK, WP

**NOTES:** End caps available by request #474CA-EC

LEGACY	NGP	PEMKO	ZERO
718	672	-	-

**#79408N**

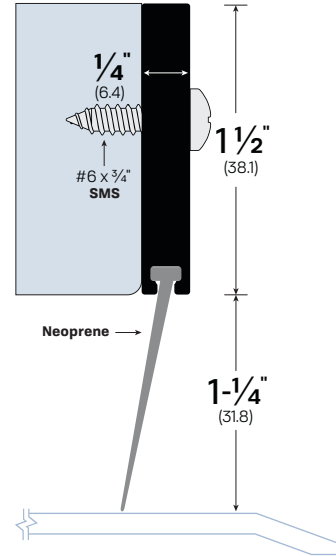


**FINISHES:** MA, SS

**OPTIONS:** SF - Security Fasteners

LEGACY	NGP	PEMKO	ZERO
<b>79408N</b>	-	-	8049R

**#759**

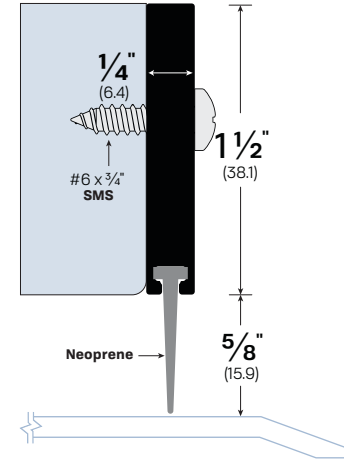


**FINISHES:** MA, MB, WP

**OPTIONS:** SF - Security Fasteners

LEGACY	NGP	PEMKO	ZERO
<b>759</b>	-	-	95AA

**#779**

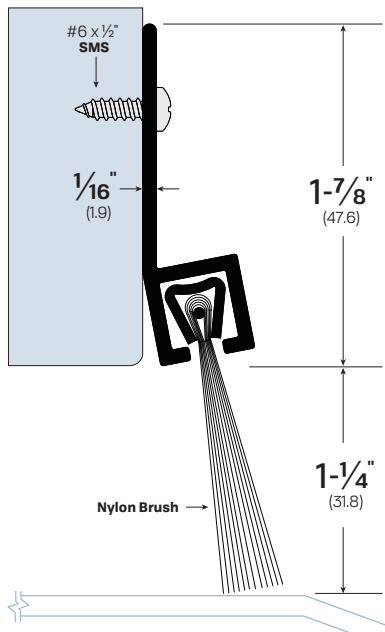


**FINISHES:** MA, MB, WP

**OPTIONS:** SF - Security Fasteners

LEGACY	NGP	PEMKO	ZERO
<b>779</b>	-	-	-

**#769**

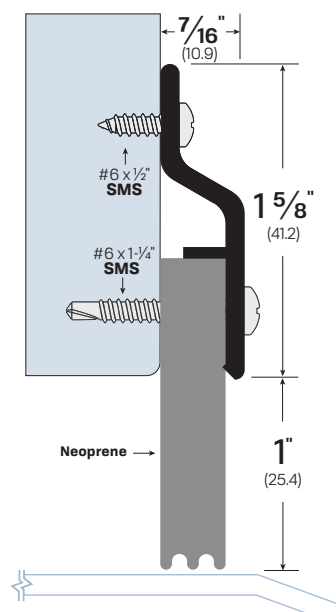


**FINISHES:** MA, MB, WP

**OPTIONS:** SF - Security Fasteners

LEGACY	NGP	PEMKO	ZERO
<b>769</b>	D608	-	96A

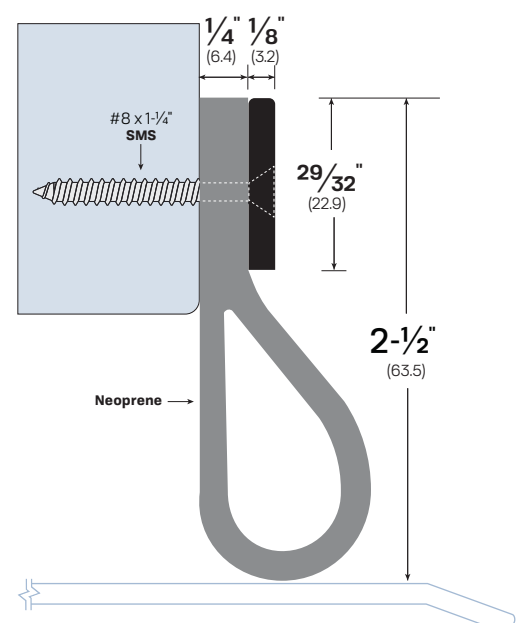
**#7835**



**FINISHES:** CA, BK, WP

LEGACY	NGP	PEMKO	ZERO
<b>7835</b>	202N	368_N	539AA

**#739**



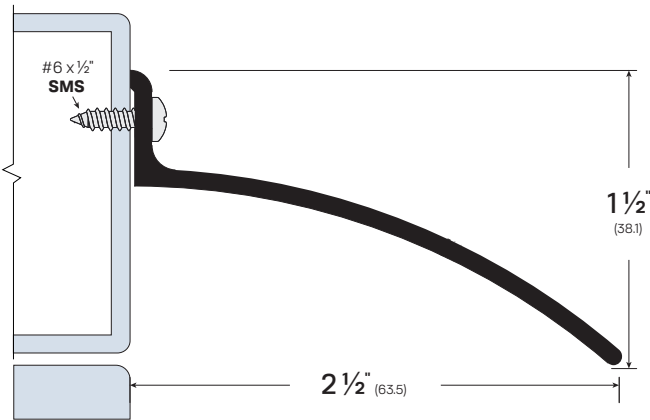
**FINISHES:** MA, MB, WP, SS

**OPTIONS:** SF - Security Fasteners

LEGACY	NGP	PEMKO	ZERO
<b>739</b>	81369N	E199X196A	93A

Door Sweeps

### #5241



**FINISHES:** MA, MB, WP, SS

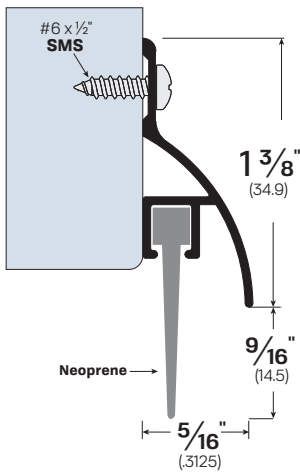
**OPTIONS:** SF - Security Fasteners

**NOTES:**

- Top of door rain drip
- Order length should be specified a minimum of 4" longer than door width.

LEGACY	NGP	PEMKO	ZERO
5241	16	346C	142AA

### #77918

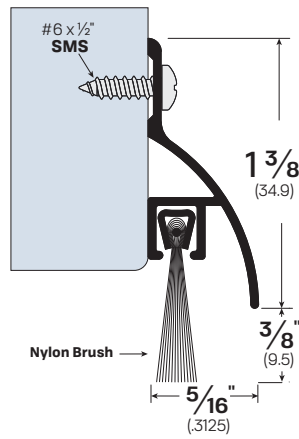


**FINISHES:** CA, BK, WP

**OPTIONS:** SF - Security Fasteners

LEGACY	NGP	PEMKO	ZERO
77918	101V	345AV	8197AA

### #78918

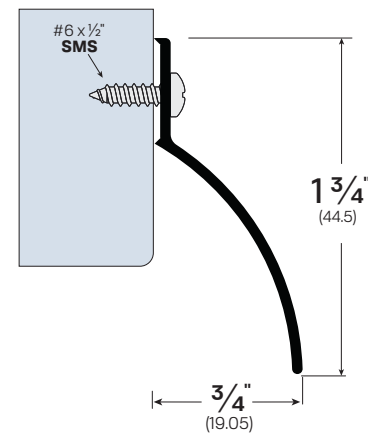


**FINISHES:** CA, BK, WP

**OPTIONS:** SF - Security Fasteners

LEGACY	NGP	PEMKO	ZERO
78918	C627	3452ANB	8198AA

### #711



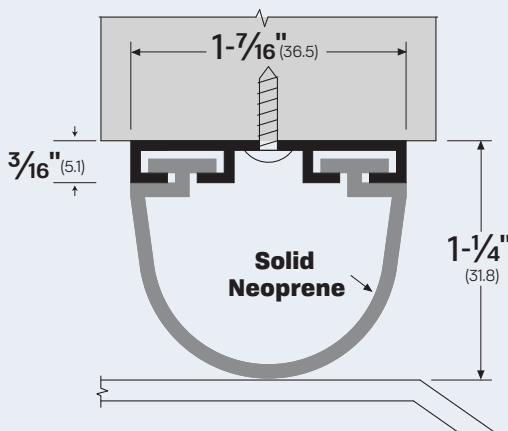
**FINISHES:** CA, MB, WP

**OPTIONS:** SF - Security Fasteners

LEGACY	NGP	PEMKO	ZERO
711	17	345C	11A

## For Overhead Doors

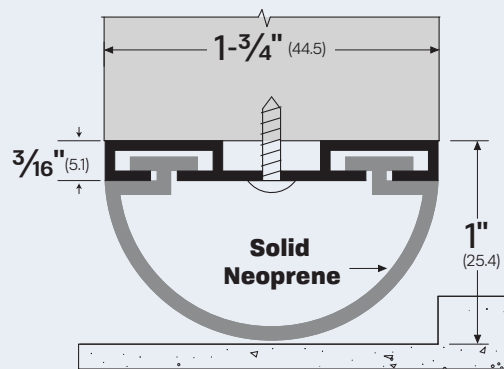
### #7254MA



**FINISHES:** MA

LEGACY	NGP	PEMKO	ZERO
7254MA	-	-	452A

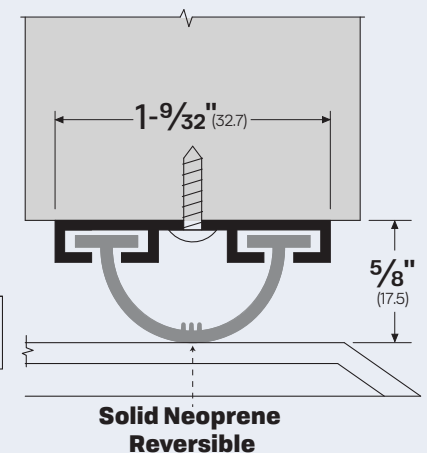
### #727MA



**FINISHES:** MA

LEGACY	NGP	PEMKO	ZERO
727MA	-	-	72A

### #725MA



**FINISHES:** MA

LEGACY	NGP	PEMKO	ZERO
725MA	-	-	52A

## Mortised AIR Sweep

This option allows free flow of air while still blocking light at the bottom of the door. Useful for applications with pressure differentials, such as boiler room doors, it is also a practical solution for certain hotel room and stairwell applications.

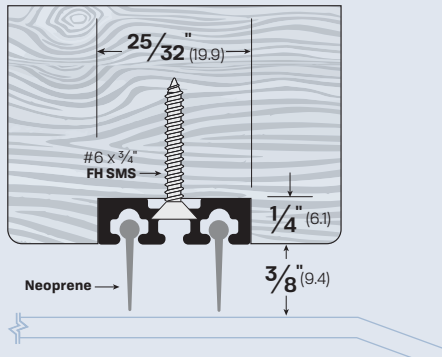
Our AIR design features double rows of notched and staggered neoprene seals for effective air flow.



#76453CA

Door Sweeps

### #76453

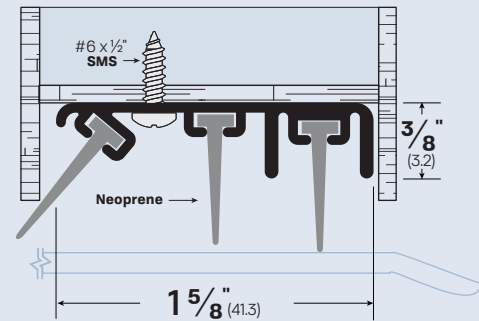


**FINISHES:** MA

**OPTIONS:** AIR - Air Flow

LEGACY	NGP	PEMKO	ZERO
<b>76453</b>	12T	-	3546A

### #7283

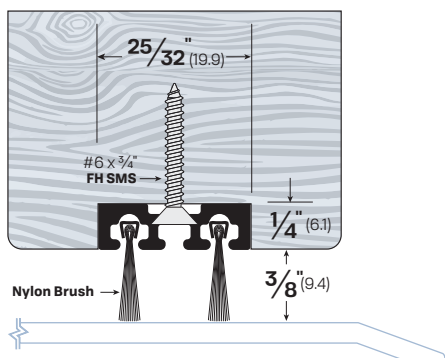


**FINISHES:** CA

**OPTIONS:** AIR - Air Flow

LEGACY	NGP	PEMKO	ZERO
<b>7283</b>	-	-	-

### #74453

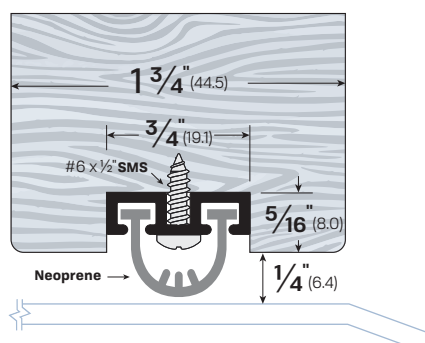


**FINISHES:** MA

**OPTIONS:** AIR - Air Flow

LEGACY	NGP	PEMKO	ZERO
<b>74453</b>	-	-	-

### #735



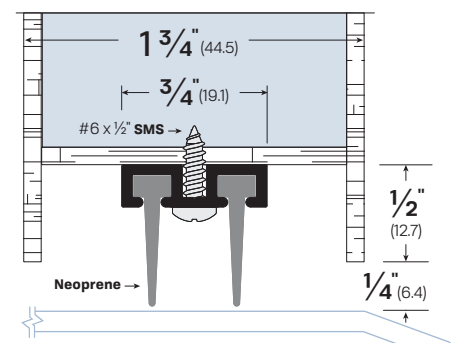
**FINISHES:** MA

**NOTES:** Rubber is Field Reversible



LEGACY	NGP	PEMKO	ZERO
<b>735</b>	116N	313AN	53A

### #7183



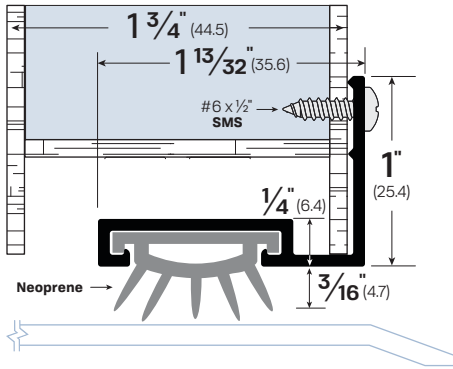
**FINISHES:** MA

**OPTIONS:** AIR - Air Flow

LEGACY	NGP	PEMKO	ZERO
<b>7183</b>	-	-	381A

Door Sweeps

### #7351



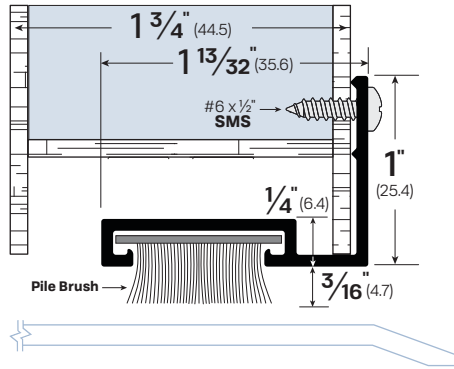
**FINISHES:** MA, MB, WP

**OPTIONS:**

- FX - Intumescent
- NIT - Nitrile Extrusion
- SF - Security Fasteners

LEGACY	NGP	PEMKO	ZERO
<b>7351</b>	113N	-	153A

### #7451



**FINISHES:** MA, MB, WP

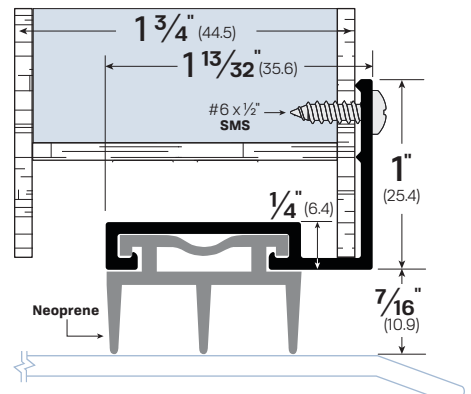
**OPTIONS:** SF - Security Fasteners

**NOTES:**

- Grey pile brush standard
- Specify for black pile (PB-BK) or white pile (PB-WH)

LEGACY	NGP	PEMKO	ZERO
<b>7451</b>	-	-	154A

### #7752



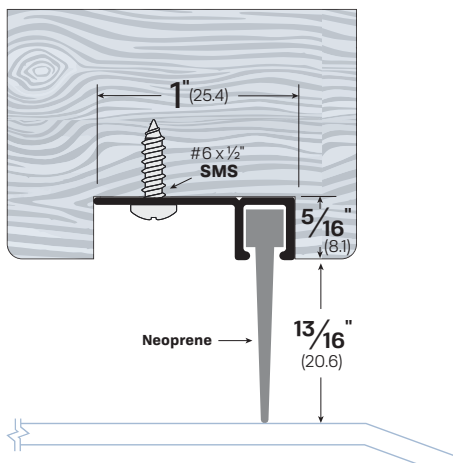
**FINISHES:** MA, MB, WP

**OPTIONS:**

- FX - Intumescent
- SF - Security Fasteners

LEGACY	NGP	PEMKO	ZERO
<b>7752</b>	-	-	-

### #71518

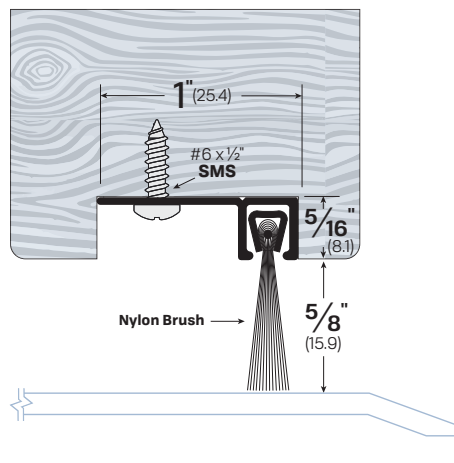


**FINISHES:** MA, MB, WP

**OPTIONS:** SF - Security Fasteners

LEGACY	NGP	PEMKO	ZERO
<b>71518</b>	-	-	8151AA

### #79418

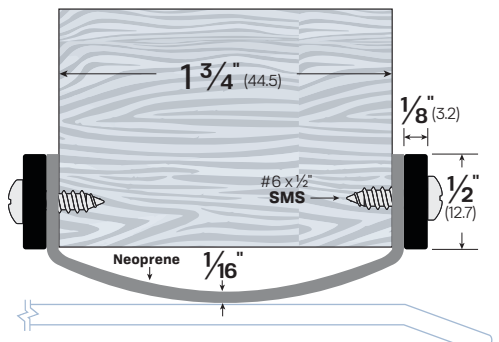


**FINISHES:** MA, MB, WP

**OPTIONS:** SF - Security Fasteners

LEGACY	NGP	PEMKO	ZERO
<b>79418</b>	D648	90100	8149AA

### #7115



**FINISHES:** MA, MB, WP, SS

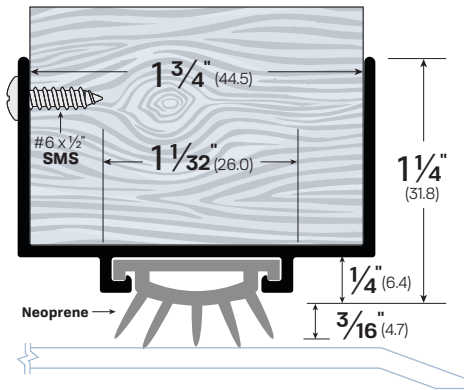
**OPTIONS:** SF - Security Fasteners

**NOTES:** Neoprene is 6" wide and can be mounted at different heights.

LEGACY	NGP	PEMKO	ZERO
<b>7115</b>	14RA	-	511A



**#7111**



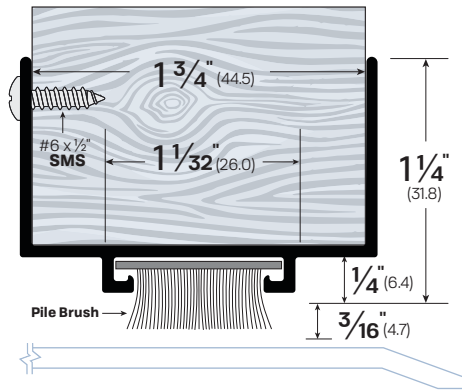
**FINISHES:** MA, MB, WP

**OPTIONS:**

- FX** - Intumescent
- NIT** - Nitrile Extrusion
- SF** - Security Fasteners

LEGACY	NGP	PEMKO	ZERO
<b>7111</b>	26N	-	111AA

**#7011**



**FINISHES:** MA, MB, WP

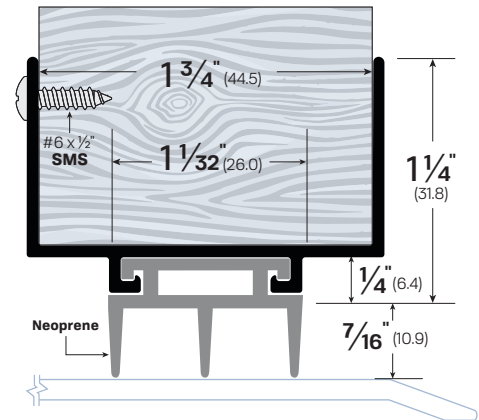
**OPTIONS:** SF - Security Fasteners

**NOTES:**

- Grey pile brush standard
- Specify for black pile (PB-BK) or white pile (PB-WH)

LEGACY	NGP	PEMKO	ZERO
<b>7011</b>	-	-	110A

**#7112**



**FINISHES:** MA, MB, WP

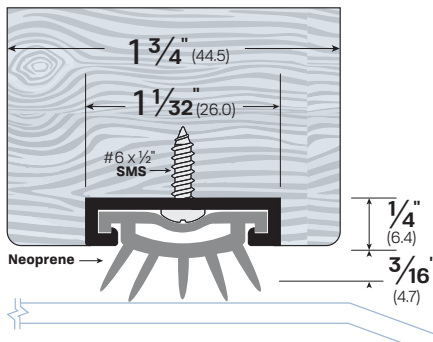
**OPTIONS:**

- FX** - Intumescent
- SF** - Security Fasteners

LEGACY	NGP	PEMKO	ZERO
<b>7112</b>	36ET6	2173AV	-

Door Sweeps

**#7352**

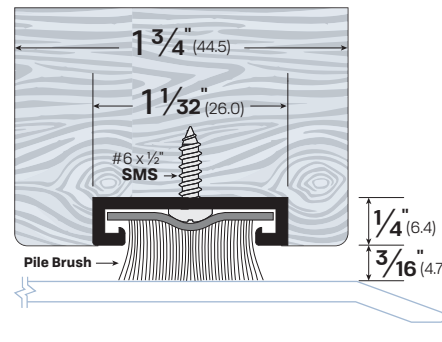


**FINISHES:** MA, MB, WP

**OPTIONS:** NIT - Nitrile Extrusion

LEGACY	NGP	PEMKO	ZERO
<b>7352</b>	112N	234APK	253A

**#7452**



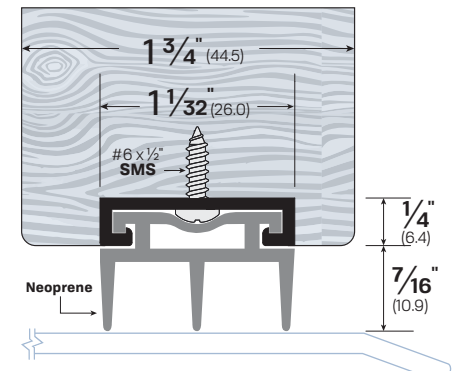
**FINISHES:** MA, MB, WP

**NOTES:**

- Grey pile brush standard
- Specify for black pile (PB-BK) or white pile (PB-WH)

LEGACY	NGP	PEMKO	ZERO
<b>7452</b>	254P	-	254A

**#7852**



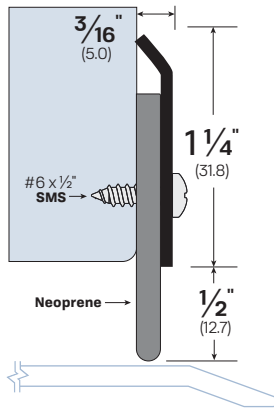
**FINISHES:** MA, MB, WP

**OPTIONS:** FX - Intumescent

LEGACY	NGP	PEMKO	ZERO
<b>7852</b>	12T	33V3_V	-

Door Sweeps

### #793SS



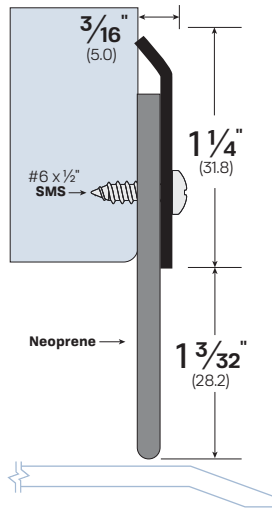
**FINISHES:** SS

**OPTIONS:**

**SF** - Security Fasteners

LEGACY	NGP	PEMKO	ZERO
<b>793SS</b>	200NSS	31555SS	-

### #7836SS



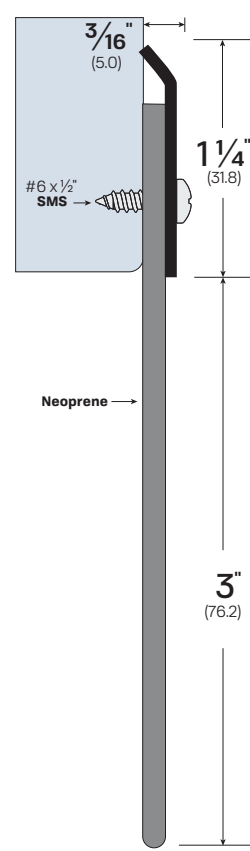
**FINISHES:** SS

**OPTIONS:**

**SF** - Security Fasteners

LEGACY	NGP	PEMKO	ZERO
<b>7836SS</b>	-	-	-

### #7936SS



**FINISHES:** SS

**OPTIONS:**

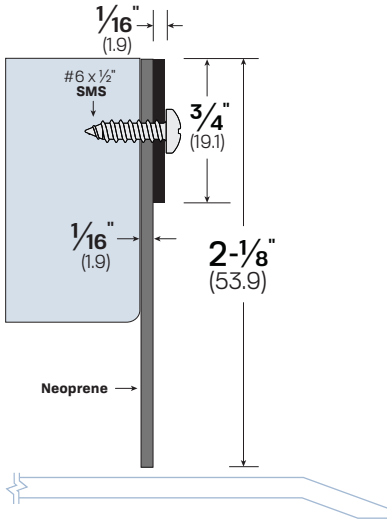
**SF** - Security Fasteners

**NOTES:**

Perfect for oversized gaps

LEGACY
<b>7936SS</b>
NGP
-
PEMKO
-
ZERO
-

### #7891SS

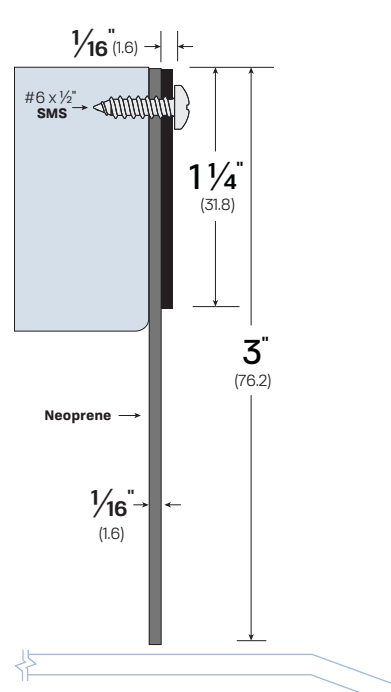


**FINISHES:** SS

**OPTIONS:** **SF** - Security Fasteners

LEGACY	NGP	PEMKO	ZERO
<b>7891SS</b>	-	-	-

### #7991SS

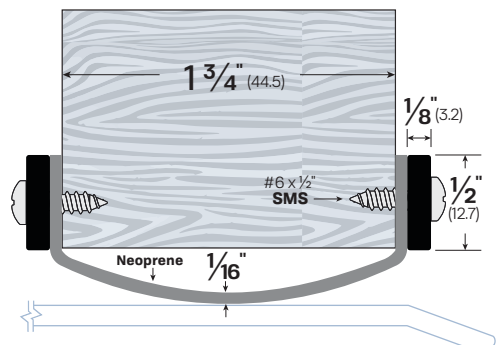


**FINISHES:** SS

**OPTIONS:** **SF** - Security Fasteners

LEGACY	NGP	PEMKO	ZERO
<b>7991SS</b>	-	-	-

### #7115SS



**FINISHES:** SS

**OPTIONS:** **SF** - Security Fasteners

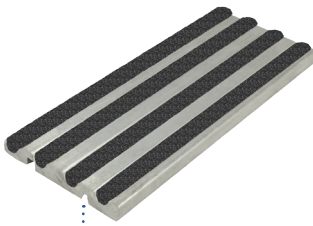
**NOTES:** Neoprene is 6" wide and can be mounted at different heights.

LEGACY	NGP	PEMKO	ZERO
<b>7115SS</b>	-	-	-



## Accessories & Options

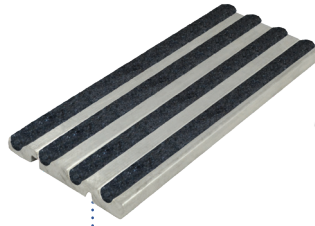
#3276MA-EPX



**EPOXY  
ABRASIVE  
(EPX)**

This exceptionally strong, slip-resistant surface provides maximum durability and safety, especially for high-traffic outdoor applications. Ideal for parks, schools, hospitals, and industrial buildings. The epoxy abrasive particle mix is bonded to the aluminum base.

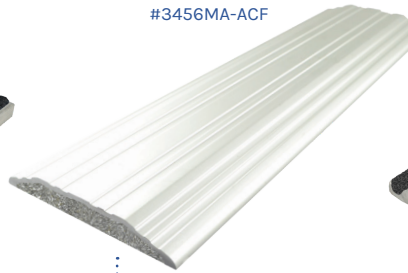
#3276MA-RUB



**RUBBER  
GRIP  
(RUB)**

Typically used for interior applications. In place of conventional rubber inserts, our unique process chemically applies non-slip rubber to threshold grooves for enhanced grip and strength.

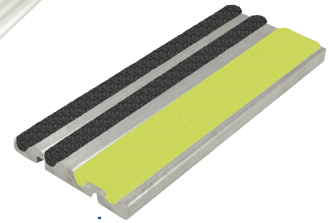
#3456MA-ACF



**ALUMINUM  
COMPOSITE FILLER  
(ACF)**

Strengthens and reinforces thresholds to prevent bending or crushing under high-traffic and heavyweight use in schools, industrial and manufacturing plants, and other high-stress applications.

#3276MA-PEPX-EPX



**PHOTOLUMINESCENT  
EPOXY ABRASIVE  
(PEPX)**

Threshold grooves are filled with a proprietary photoluminescent epoxy that emits luminescence after charging by exposure to ambient light. Specify for compliance with code requirements for photoluminescent stairwell and exit path markings.

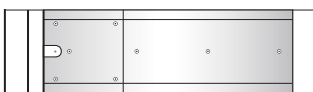
Epoxy Color Options



## Floor Closer Cover Plates For use on thresholds that are 7" or wider. Left hand shown on all diagrams below. Specify handing with RH or LH.

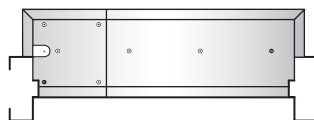
### Type 1

For doors hung in center of frame



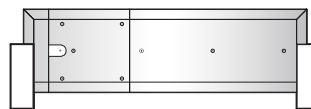
### Type 3

For use with all offset closers and pivot sets



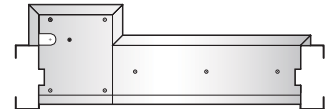
### Type 4

For doors hung flush with face of frame



### Type 5

For use with offset closers and pivot sets



## Fasteners / Anchors

#FA26

#FA21

#FA22

#FA23

#FA24



### PRODUCT SPECIFICATIONS

#FA26 Stainless Steel Sleeve Anchor  
1/4 x 3" Long

#FA21 Plastic Shields For Wood Screws  
#10 Flat Phillips SMS  
(Screw lengths: 1-1/4", 1-1/2", or 1-3/4")

#FA22 Lead Shields For Wood Screws  
#10 Flat Phillips SMS  
(Screw lengths: 1-1/4", 1-1/2", or 1-3/4")

#FA23 Anchors With 10-24 Machine Screws  
MSLA-10

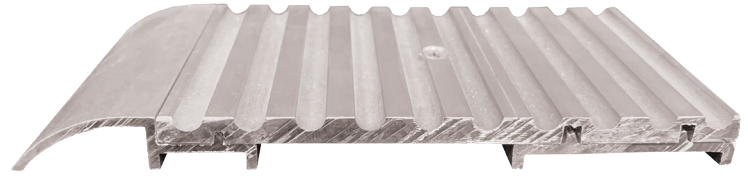
#FA24 Anchor With 1/4 -20 Machine Screw  
MSLA-4

## Adjustable Thresholds

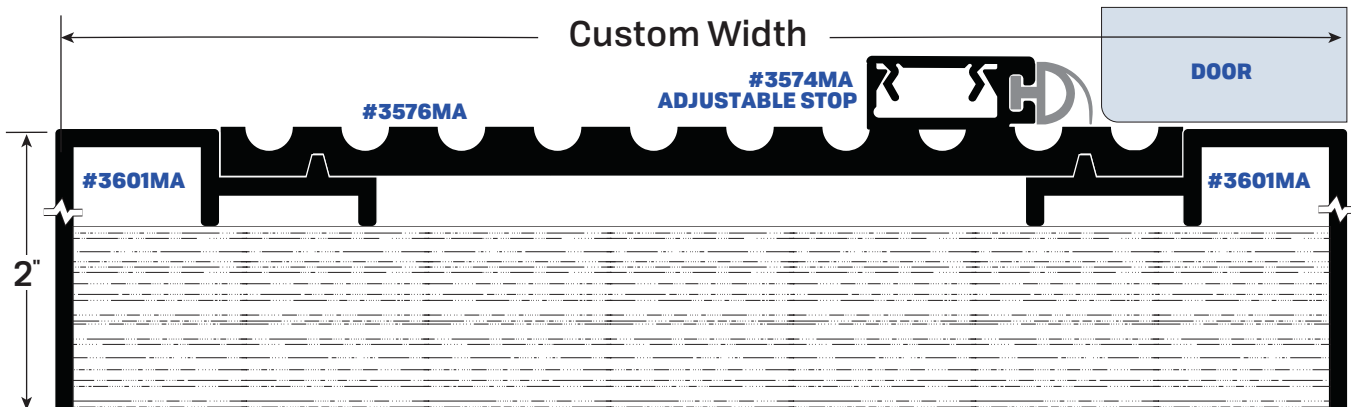
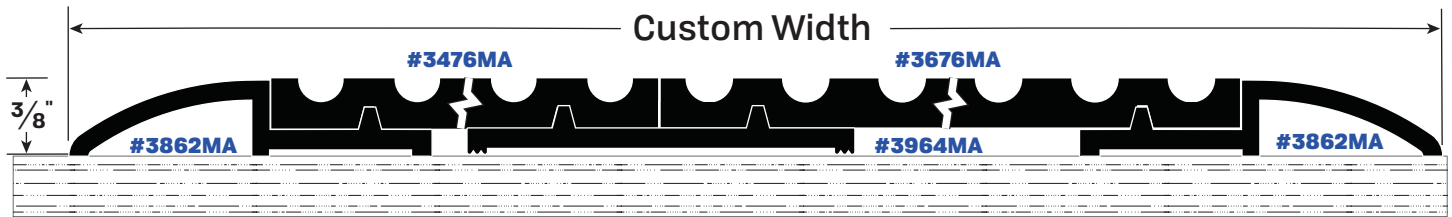
FINISHES: MA, BR

OPTIONS: ACF, EPX, FL, LA, PEPX, RUB

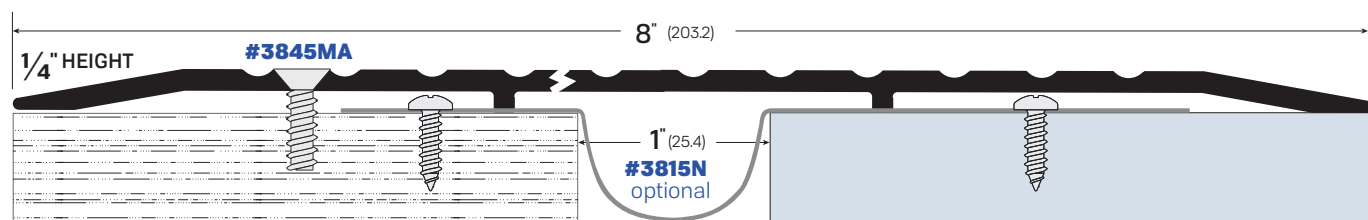
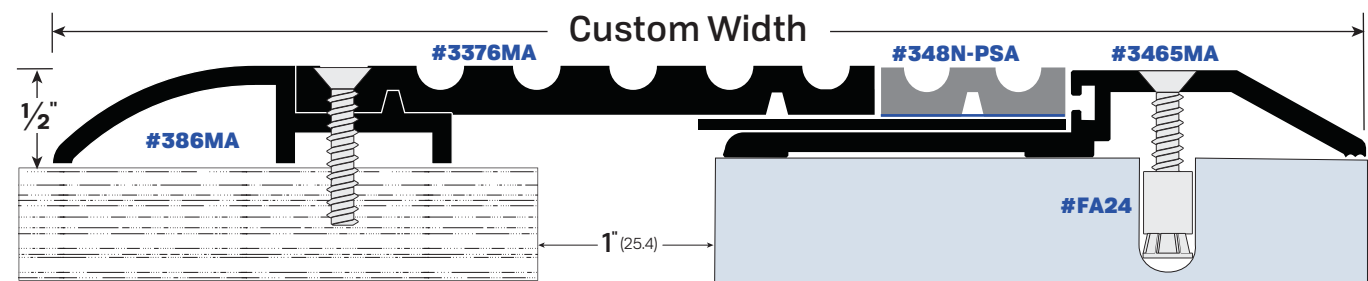
NOTES: Flathead Zinc-plated screws - #10 x 1-1/2"



#386MA, #3576MA, #3962MA



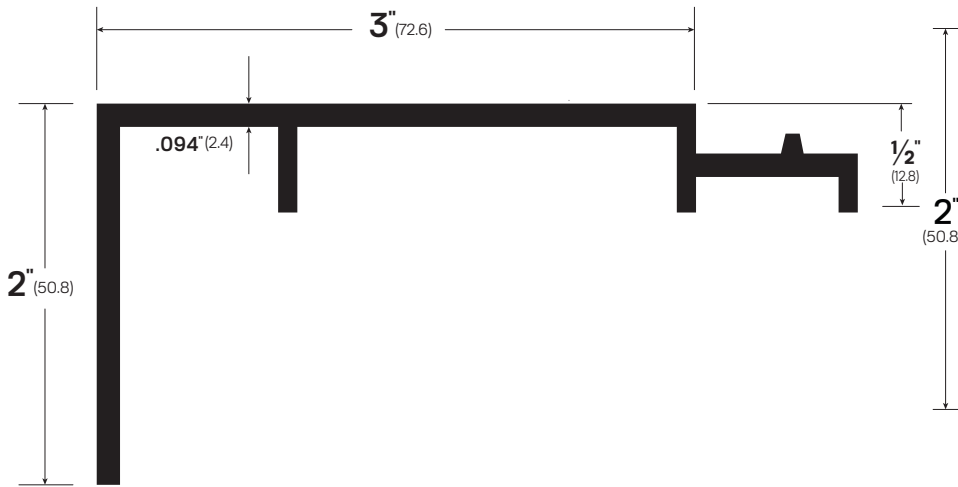
## Expansion Joint Configurations



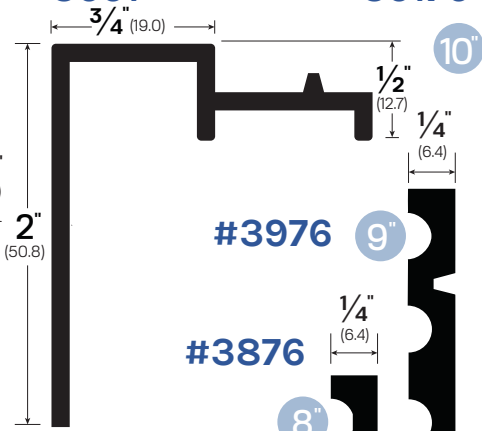
Thresholds  
Saddles

Thresholds  
Saddles

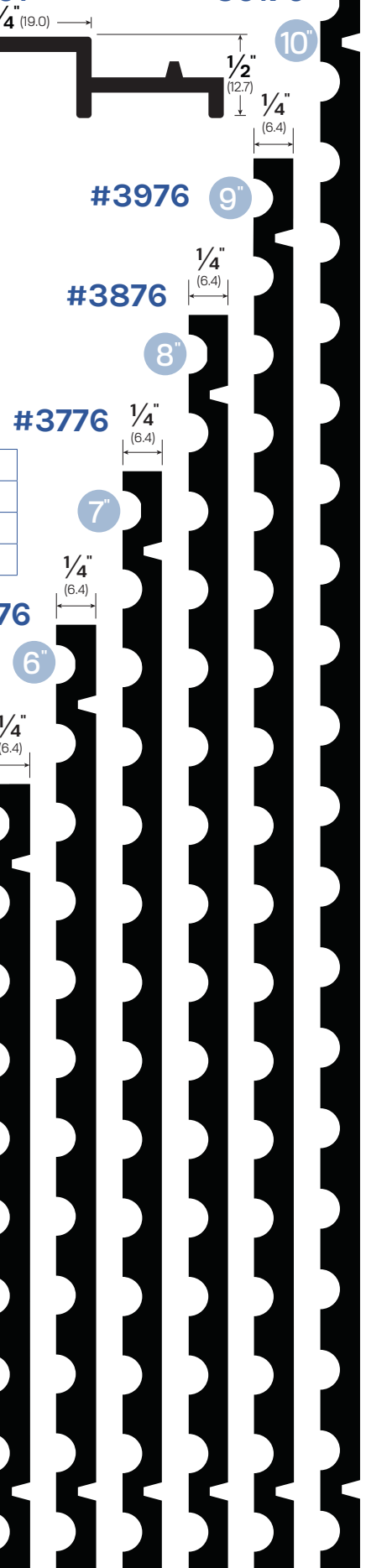
**#3501**



**#3601**



**#30176**



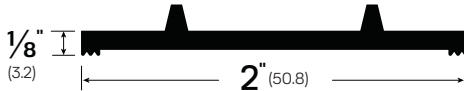
LEGACY	3276	3376	3476	3576	3676	3776	3876	3976	30176	348N	399N
NGP	8142	8143	8144	8145	8146	8147	8148	8149	8150	8168N	-
PEMKO	190A	191A	192A	2266A	193A	-	228A	-	-	-	-
ZERO	672A	673A	674A	675A	676A	-	678A	-	6710A	84R	89N

LEGACY	386	3862	3962	3964	3031	3931	3861	3601	3501
NGP	8140	8139	BAR4	BAR1	57	58	8141	8134	8134A
PEMKO	195A	200	2961	2949	183	188	194	3261	3261
ZERO	68A	268A	269A	469A	-	-	168A	106A	105A

**#3962**



**#3964**



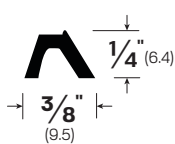
**#3862**



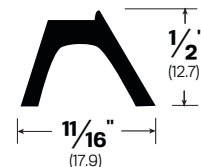
**#386**



**#3031**



**#3931**



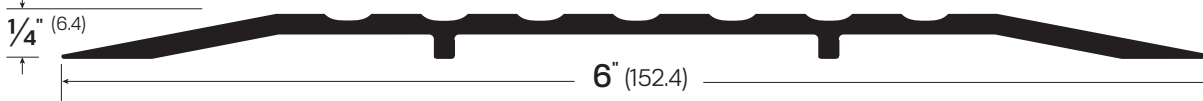
**#3445**



**#3545**



**#3645**



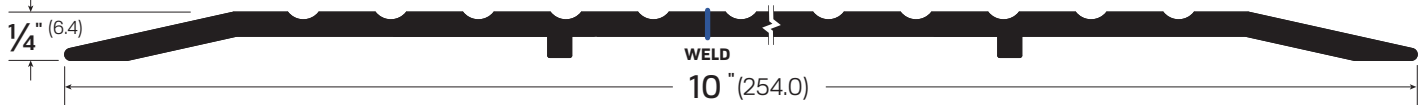
**#3745**



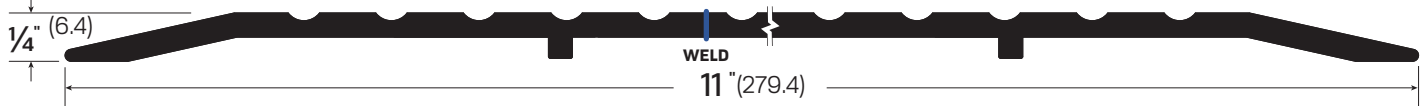
**#3845**



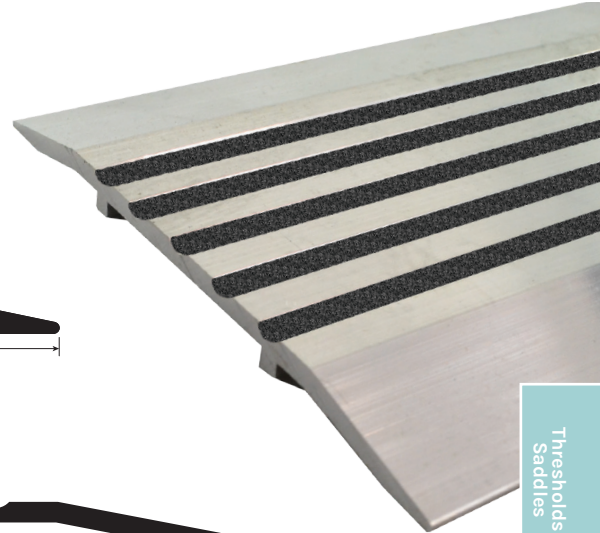
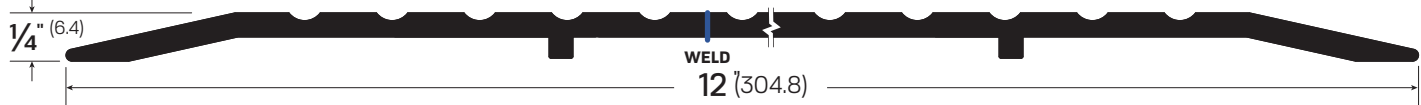
**#30145**



**#31145**



**#31245**



#3445MA-EPX

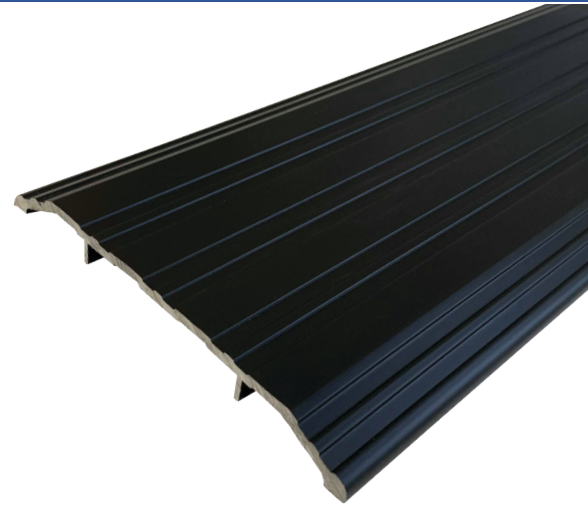
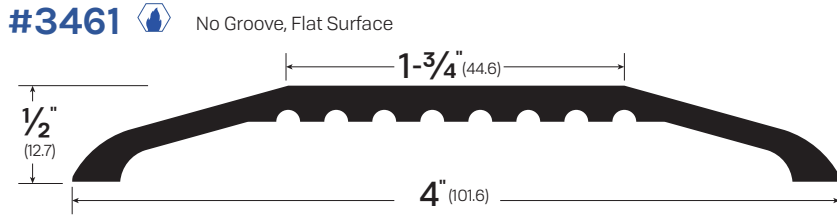
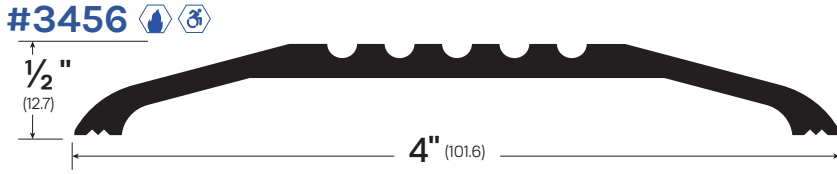
Thresholds  
Saddles

LEGACY	3445	3545	3645	3745	3845	30145	31145	31245
NGP	413	513	613	713	813	1013	-	-
PEMKO	270A	271	272	276A	2748	2750	-	-
ZERO	544A	545A	546A	547A	548	-	-	-

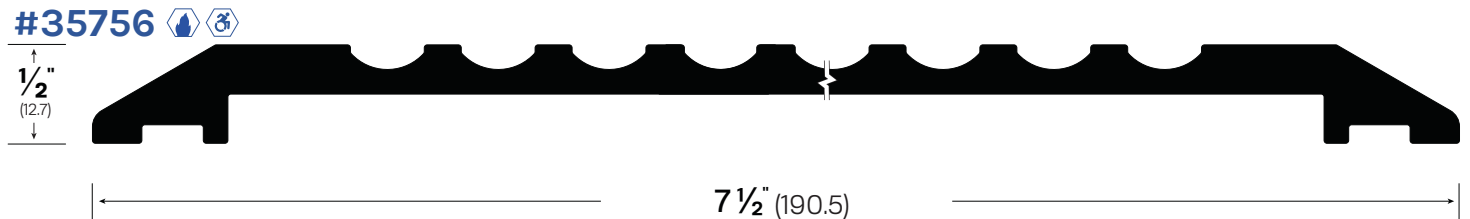
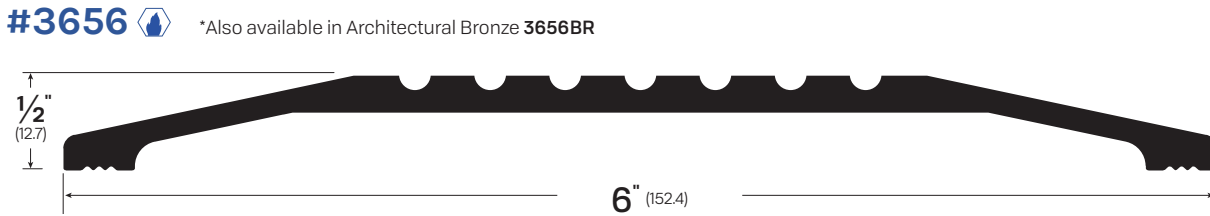
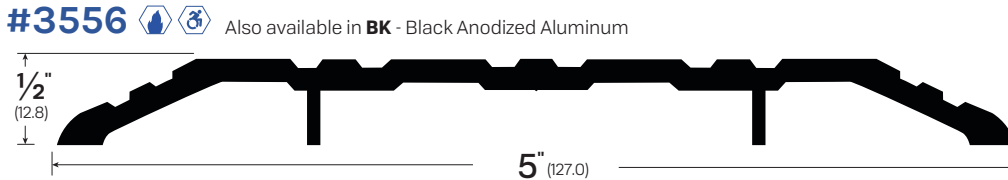
**FINISHES:** MA

**OPTIONS:** ACF, EPX, FL, LA, PEPX, RUB

**NOTES:** Flathead Zinc-plated screws - #10 x 1-1/2"



#3556BK



LEGACY	3456	3461	3556	3656	3756	35756
NGP	424	412	425	426	425E	8745
PEMKO	170A	175	1665A	172	176A	-
ZERO	654A	164A	655A	656A	8655A	657A

**FINISHES:** MA, BK, BR  
**OPTIONS:** ACF, EPX, FL, LA, PEPX, RUB  
**NOTES:** Flathead Zinc-plated screws - #10 x 1-1/2"



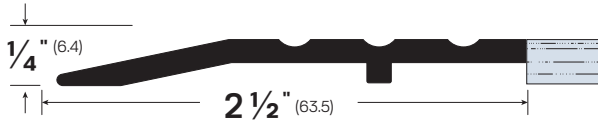
**#3441** 



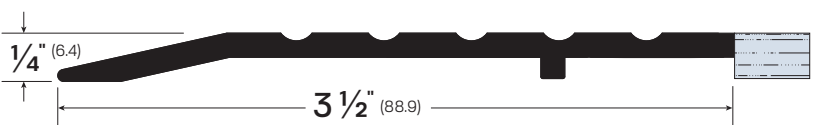
**#3641** 



**#3541** 




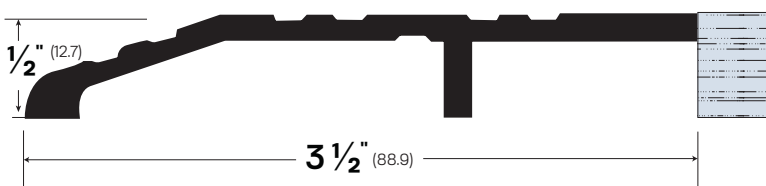
**#3741** 




**#3616** 



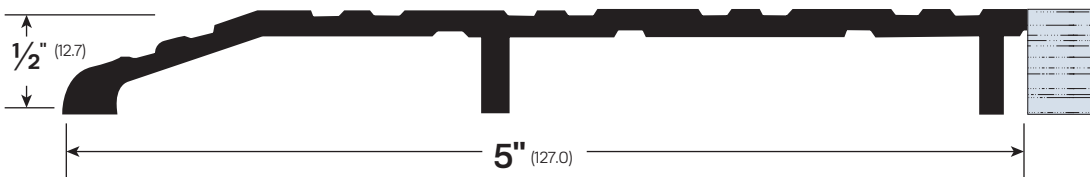
**#3841**  \*Also available in **BK** - Black Anodized Aluminum



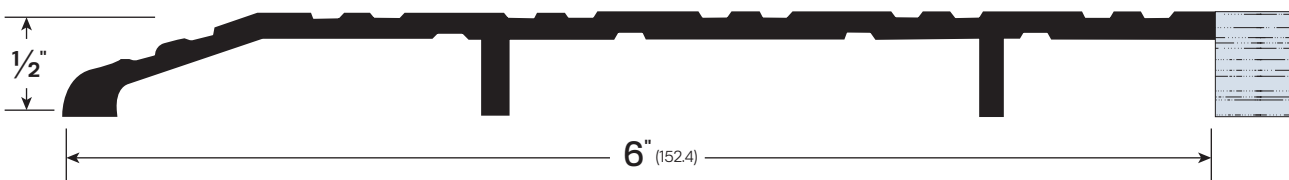
**#34761**  \*Also available in **BK** - Black Anodized Aluminum



**#35761** 



**#36761** 



Thresholds  
Saddles



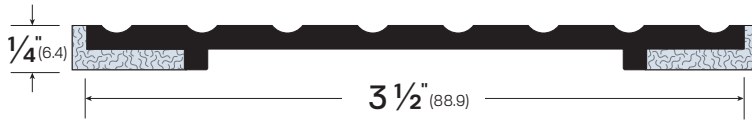
#34761MA

LEGACY	3441	3541	3641	3741	3616	3841	34761	35761	36761
NGP	215	417	315	415	-	323	327	350	-
PEMKO	278A	279A	273A	274A	-	253A	254A	255A	-
ZERO	-	1545A	-	-	-	1674A	1674A	1675A	-

**FINISHES:** MA, BK  
**OPTIONS:** ACF, EPX, FL, LA, PEPX, RUB  
**NOTES:** Flathead Zinc-plated screws - #10 x 1-1/2"

Thresholds  
Saddles

**#3143**



**#3144**



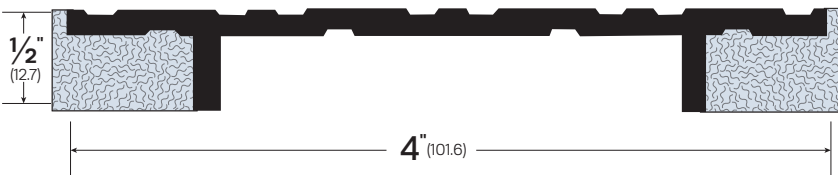
**#3145**



**#3486**



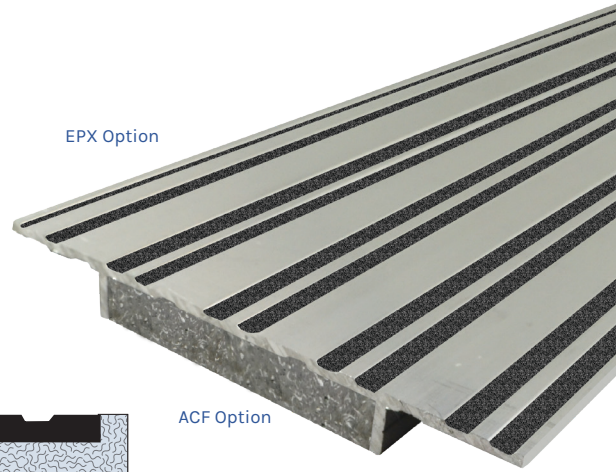
**#342**



**#352**



#3144MA



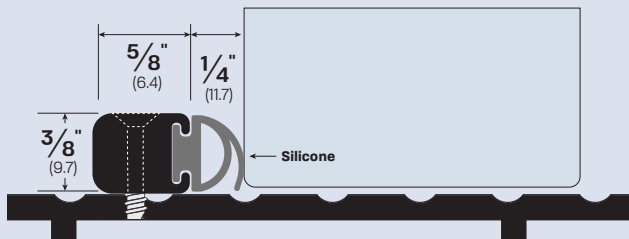
EPX Option

ACF Option

#3486MA-ACF-EPX

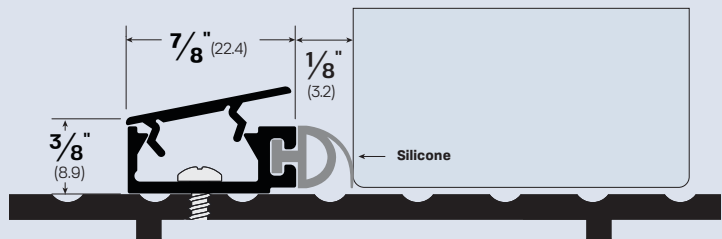
**Stop Strips** Can be surface-mounted to any threshold.

**#3574**



**FINISHES:** CA, MB, WP  
**OPTIONS:** **LIG** - Ligature Resistant **FL** - Fire Label **S-WH** - White Silicone

**#313**



**FINISHES:** CA, MB, WP  
**OPTIONS:** **LIG** - Ligature Resistant **FL** - Fire Label **S-WH** - White Silicone

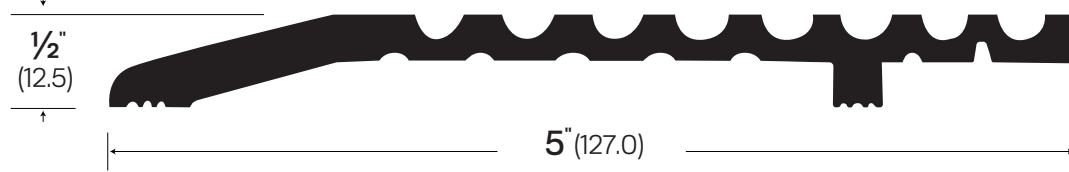
LEGACY	3143	3144	3145	3486	342	352	3574	313
NGP	-	-	-	404	-	-	-	-
PEMKO	-	-	-	2364A	-	-	-	-
ZERO	-	-	-	-	-	-	-	-

**FINISHES:** MA  
**OPTIONS:** ACF, EPX, FL, LA, PEPX, RUB  
**NOTES:** Flathead Zinc-plated screws - #10 x 1-1/2"

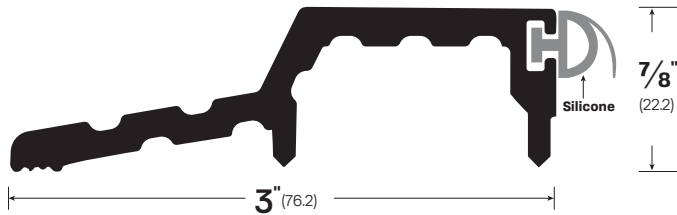
#3904 



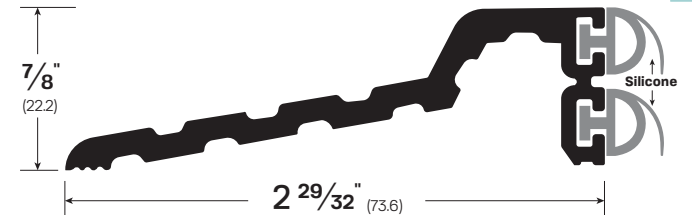
#3905 



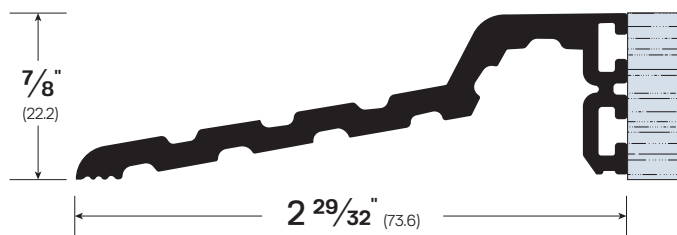
#3291 



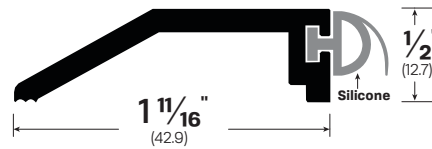
#3425 



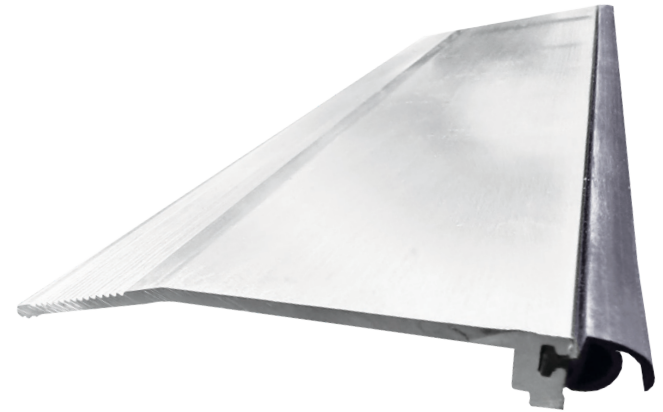
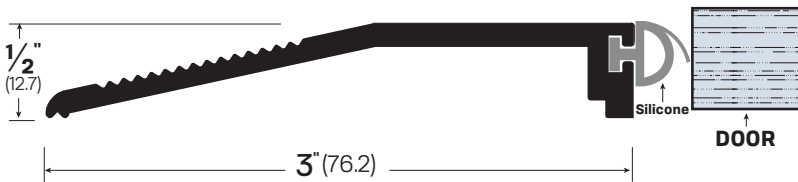
#3325 



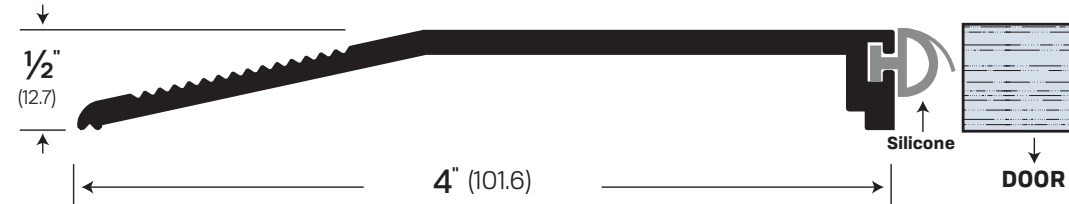
#3292 



#395 



#398 



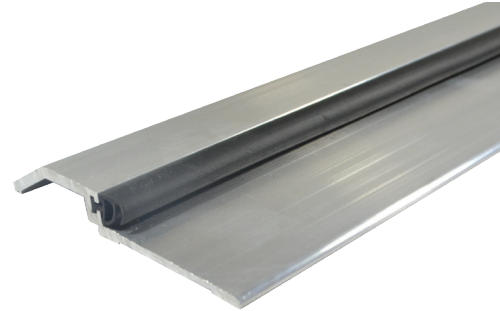
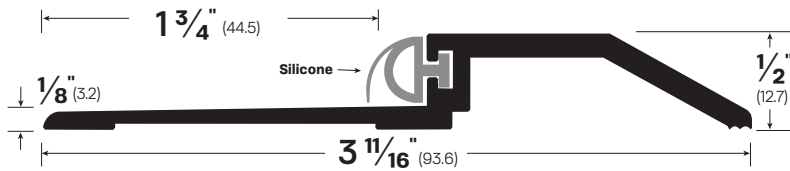
LEGACY	3904	3905	3291	3425	3325	3292	395	398
NGP	324	325	-	-	-	-	-	-
PEMKO	227	229	-	-	-	-	-	-
ZERO	1674	1675A	-	524A	523A	-	-	-

**FINISHES:** MA  
**OPTIONS:** ACF, EPX, FL, LA, PEPX, RUB  
**NOTES:** Flathead Zinc-plated screws - #10 x 1-1/2"

Thresholds  
Saddles

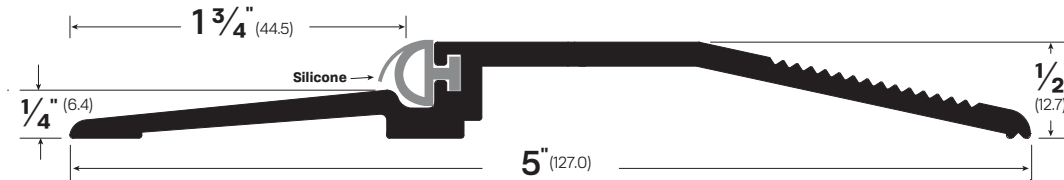
**#3465**

\*Also available in **BK** - Black Anodized Aluminum  
& **BR** - Architectural Bronze



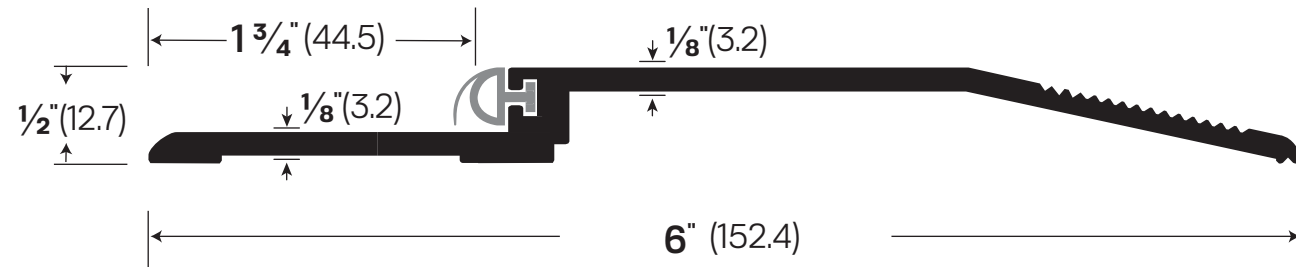
#3465MA

**#3665**

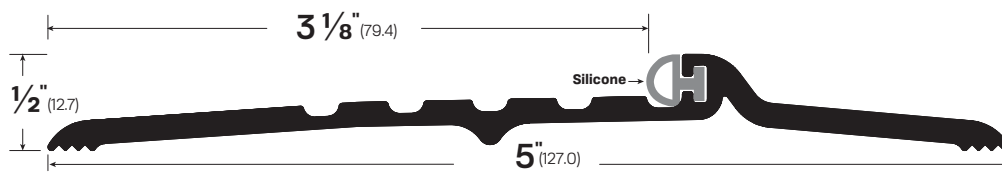


Thresholds  
Saddles

**#3865**

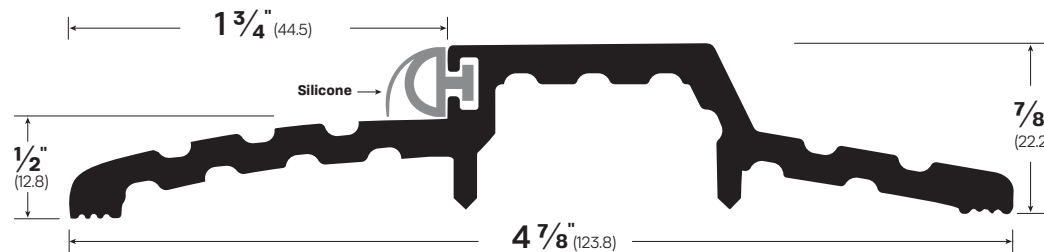


**#356**



#3665MA

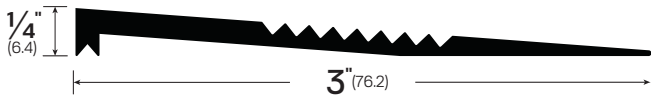
**#3565**



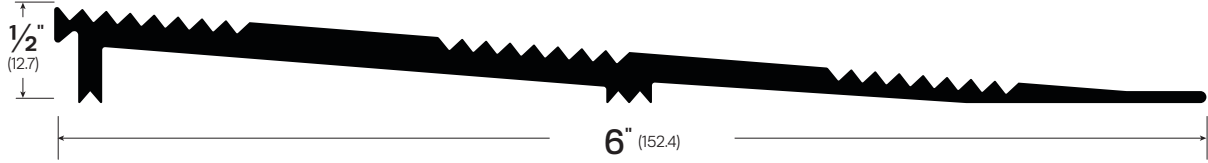
LEGACY	3465	3665	3865	356	3565
NGP	8155N	950N	-	896N	897N
PEMKO	2008APK	2005Q	-	2005AT	277
ZERO	564A	566A	568A	65A	565A

**FINISHES:** MA, BK  
**OPTIONS:** ACF, EPX, FL, LA, PEPX, RUB  
**NOTES:** Flathead Zinc-plated screws - #10 x 1-1/2"

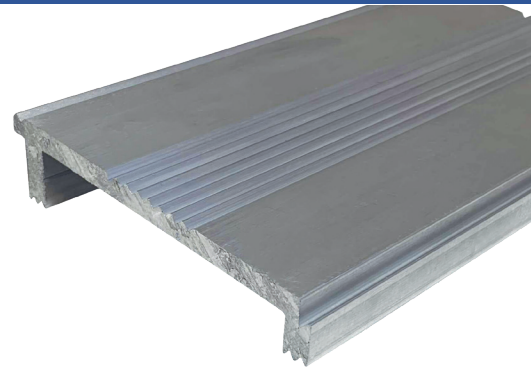
**#3532**  



**#3632**  

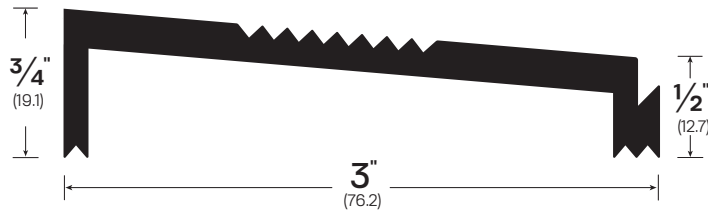


#3332MA

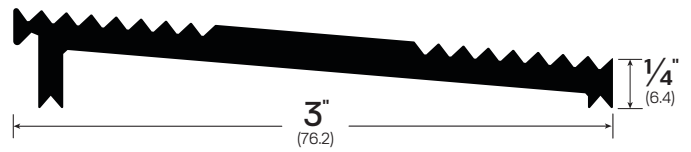


Thresholds  
Saddles

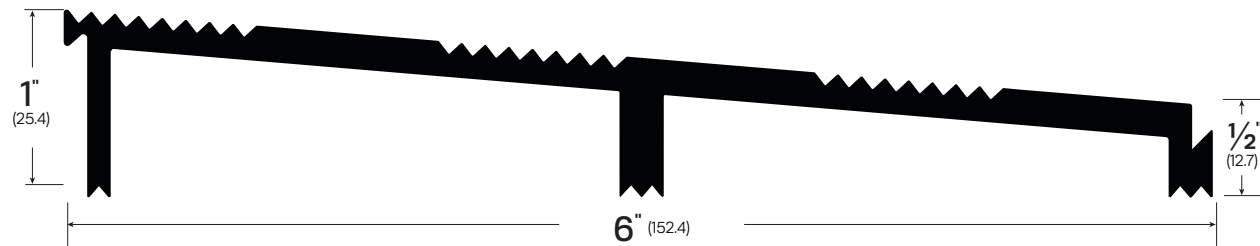
**#3332** 



**#3432** 

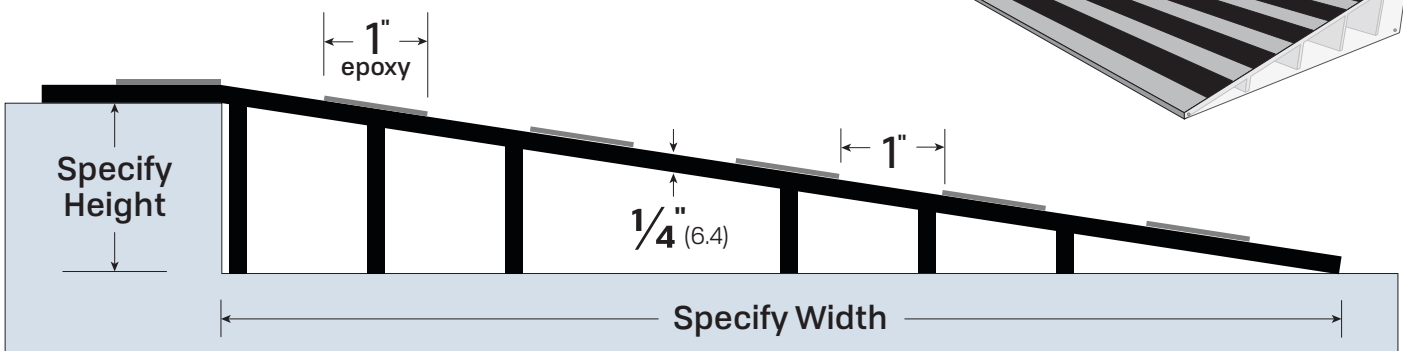
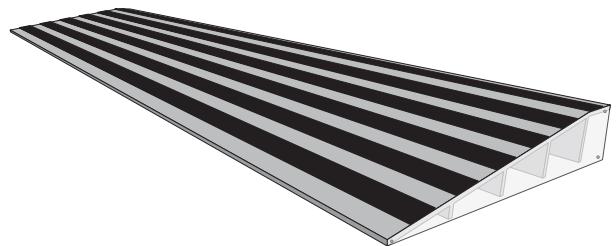


**#3232** 



**Custom Ramps**

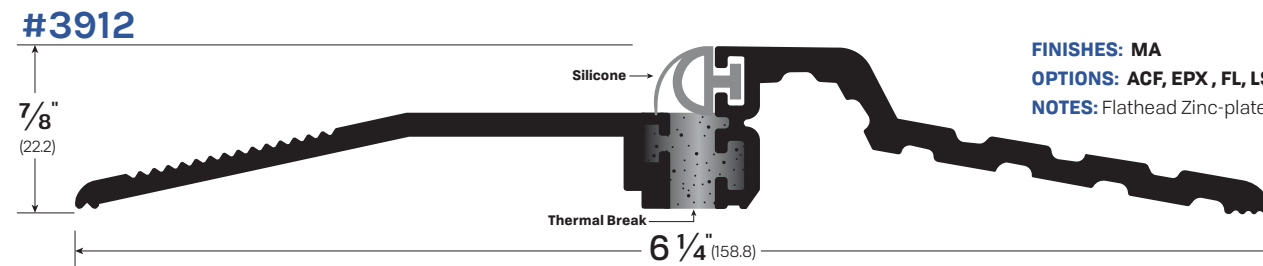
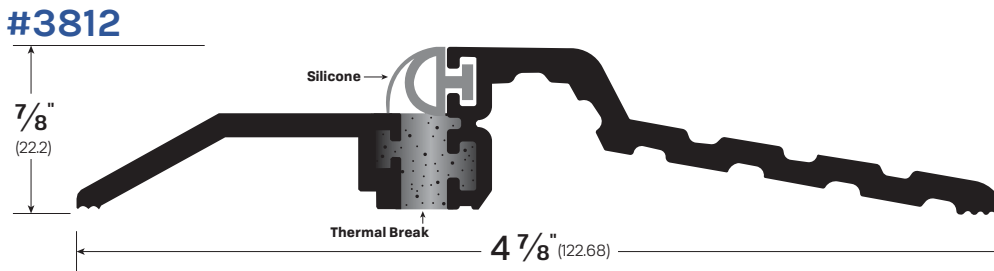
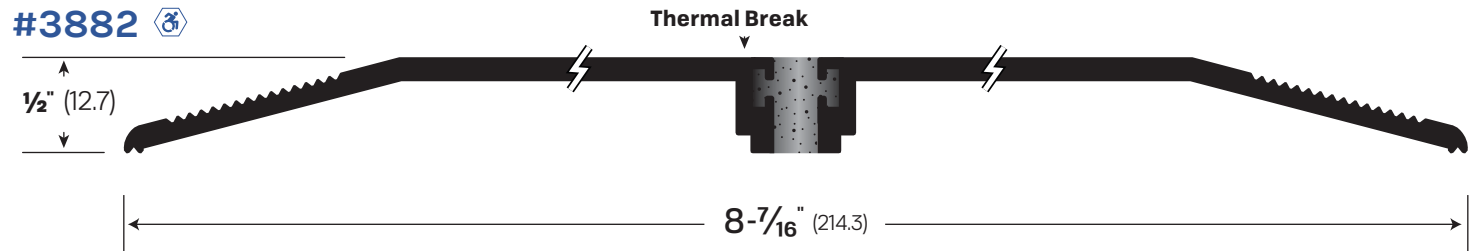
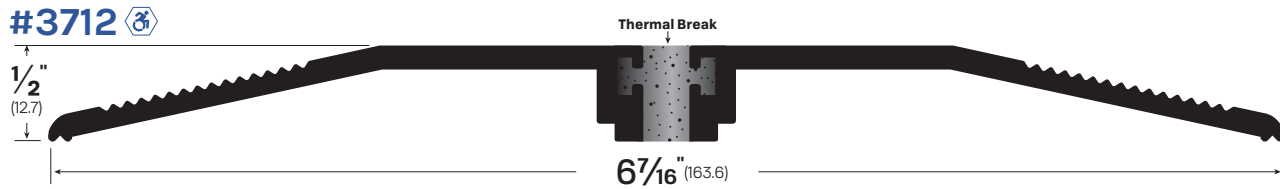
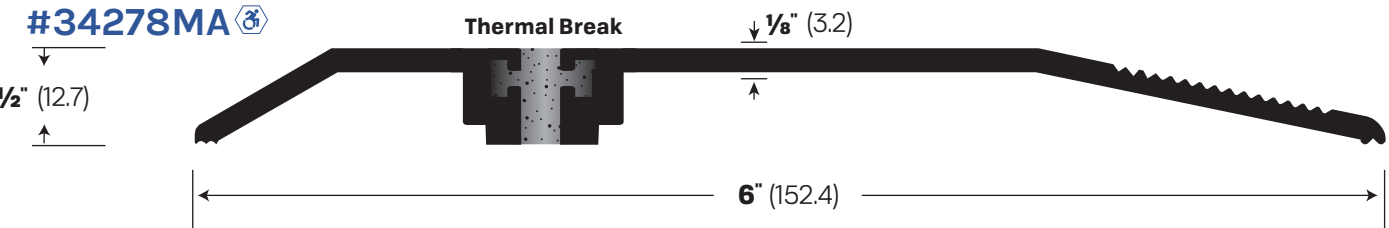
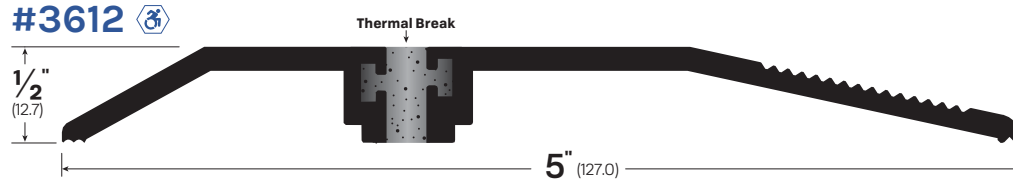
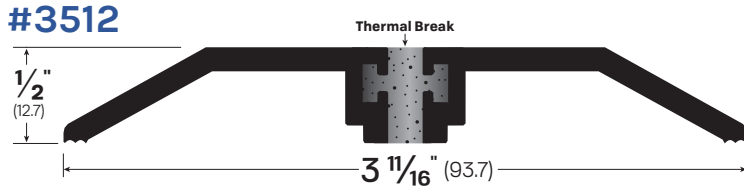
Legacy can manufacture ramps to your specifications, including features such as our epoxy abrasive, photoluminescent epoxy and cover plates.



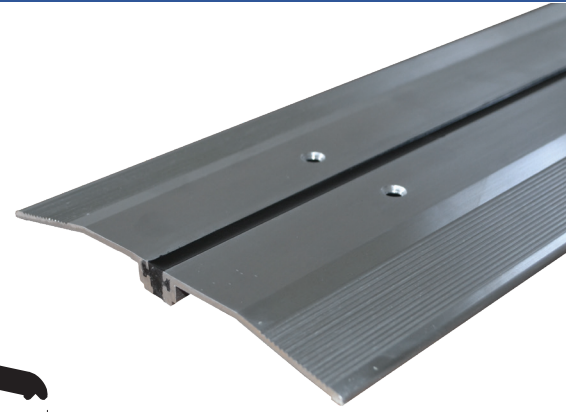
LEGACY	3232	3332	3432	3532	3632
NGP	954	953	-	-	R50
PEMKO	RAMP5	RAMP5A	-	-	RAMP4A
ZERO	232	233	234	235	236

**FINISHES:** MA  
**OPTIONS:** ACF, EPX, FL, LA, PEPX, RUB  
**NOTES:** Flathead Zinc-plated screws - #10 x 1-1/2"

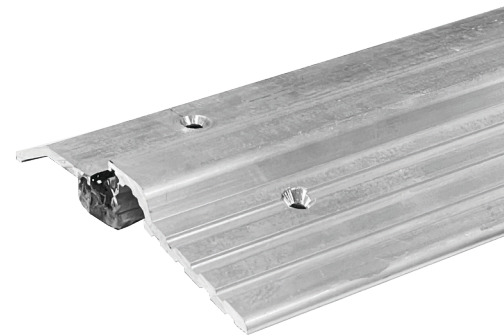
Thresholds  
Saddles



**FINISHES:** MA  
**OPTIONS:** ACF, EPX, FL, LS, PEPX, RUB  
**NOTES:** Flathead Zinc-plated screws - #10 x 1-1/2"

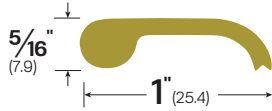


#3712MA

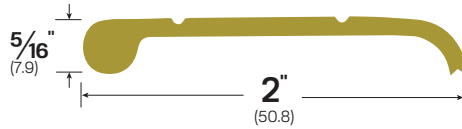


#3812

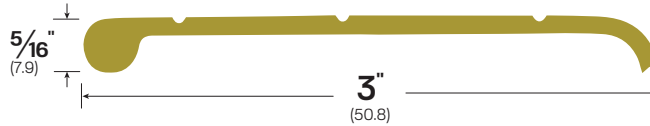
#8T1-BR



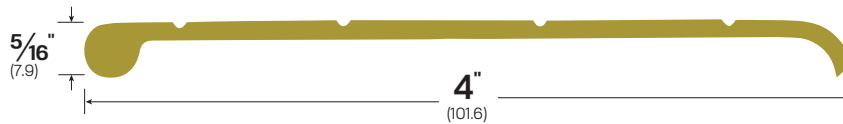
#8T2-BR  
#9T2-MA



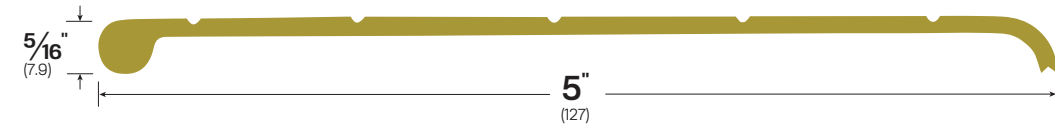
#8T3-BR  
#9T3-MA



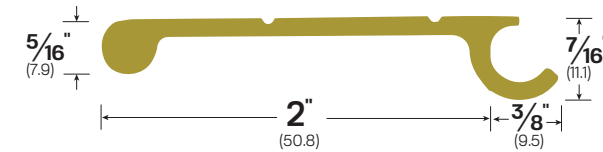
#8T4-BR  
#9T4-MA



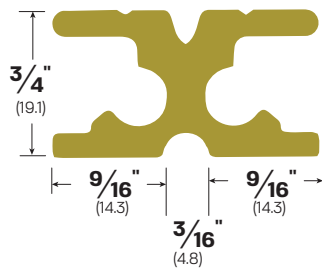
#8T5-BR  
#9T5-MA



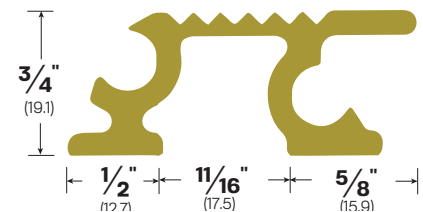
#8T2E-BR



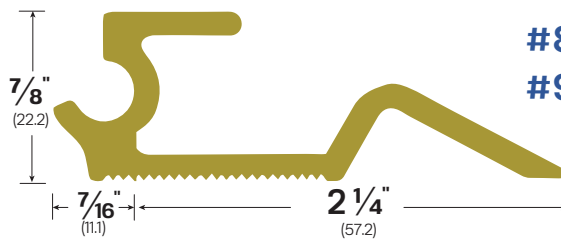
#8S5-BR  
#9S5-MA



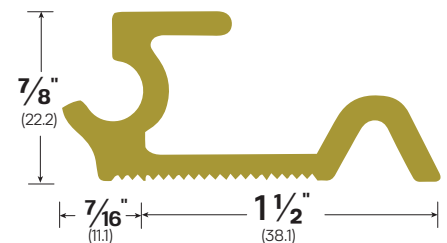
#8S11-BR  
#9S11-MA



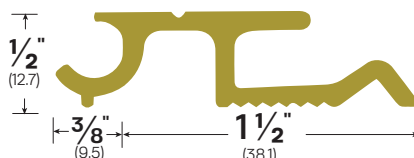
#8S13-BR



#8S14-BR  
#9S14-MA

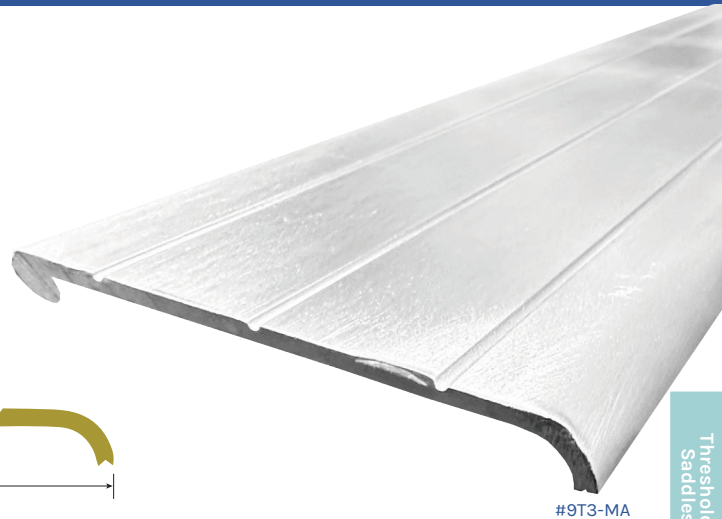


#8S16-BR  
#9S16-MA



**FINISHES:** MA - Part#9  
BR - Part #8

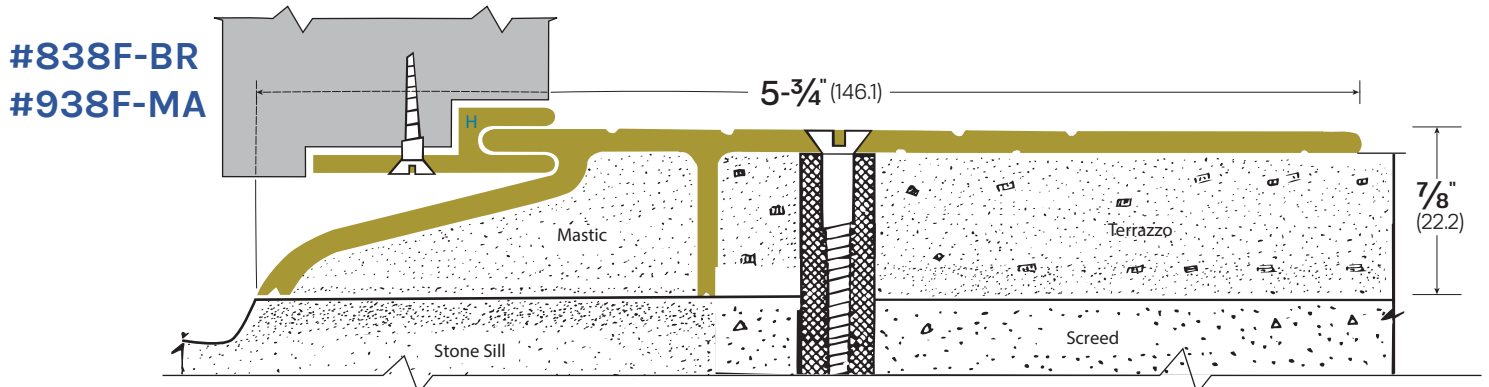
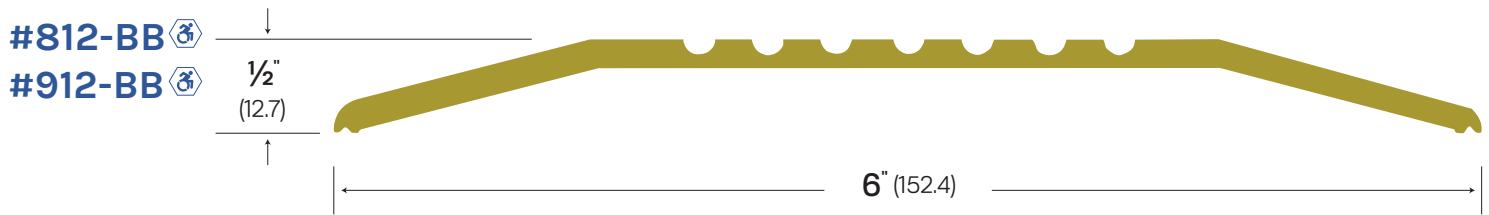
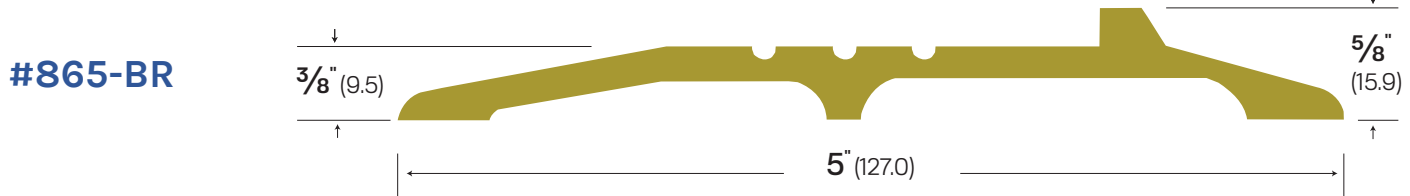
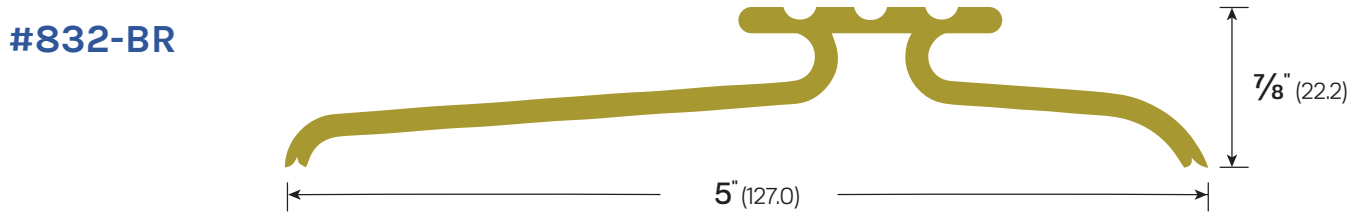
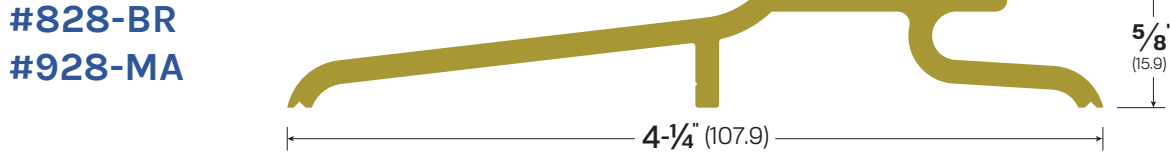
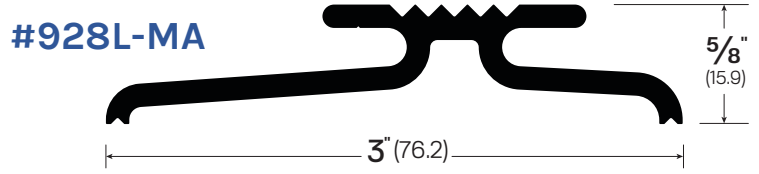
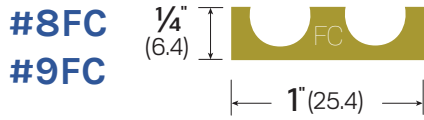
**NOTES:** Provision must be made on lower outside edge for water drainage.



#9T3-MA

Thresholds  
Saddles

Thresholds  
Saddles



FINISHES: MA - Part#9

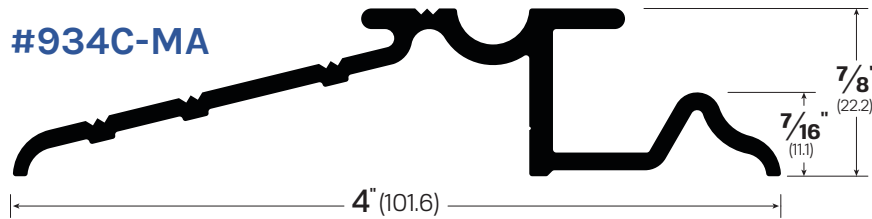
BR - Part #8



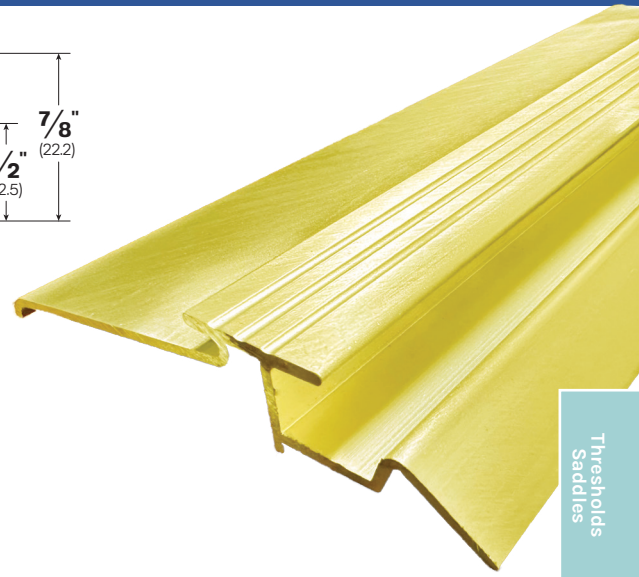
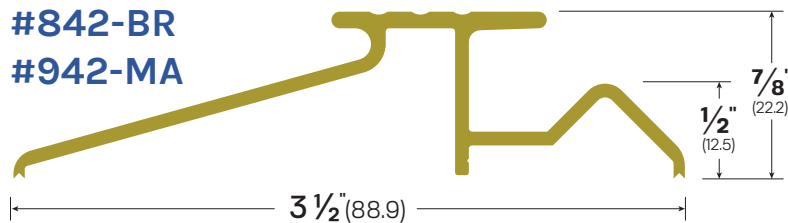
**#841-BR**  
**#941-MA**



**#934C-MA**



**#842-BR**  
**#942-MA**



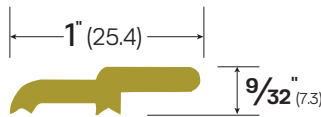
#842BR

Thresholds  
Saddles

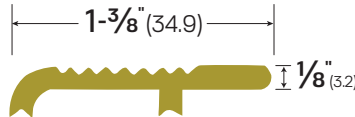
**SECTIONAL UNIT DOOR SADDLES:**

All Bronze Saddles Furnished Architectural Alloy # 385. Finished Mill, Polished Bright, Satin or Dark (Oxidized) All Aluminum Saddles Furnished in Alloy 63 T3 Mill Finish.

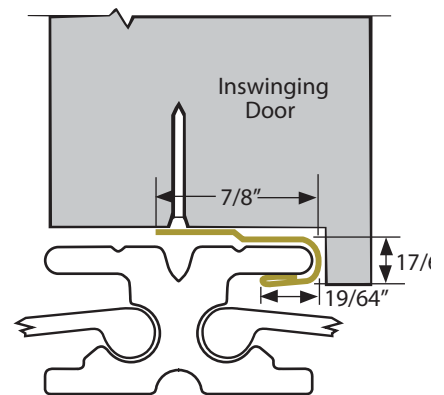
**#824-BR**



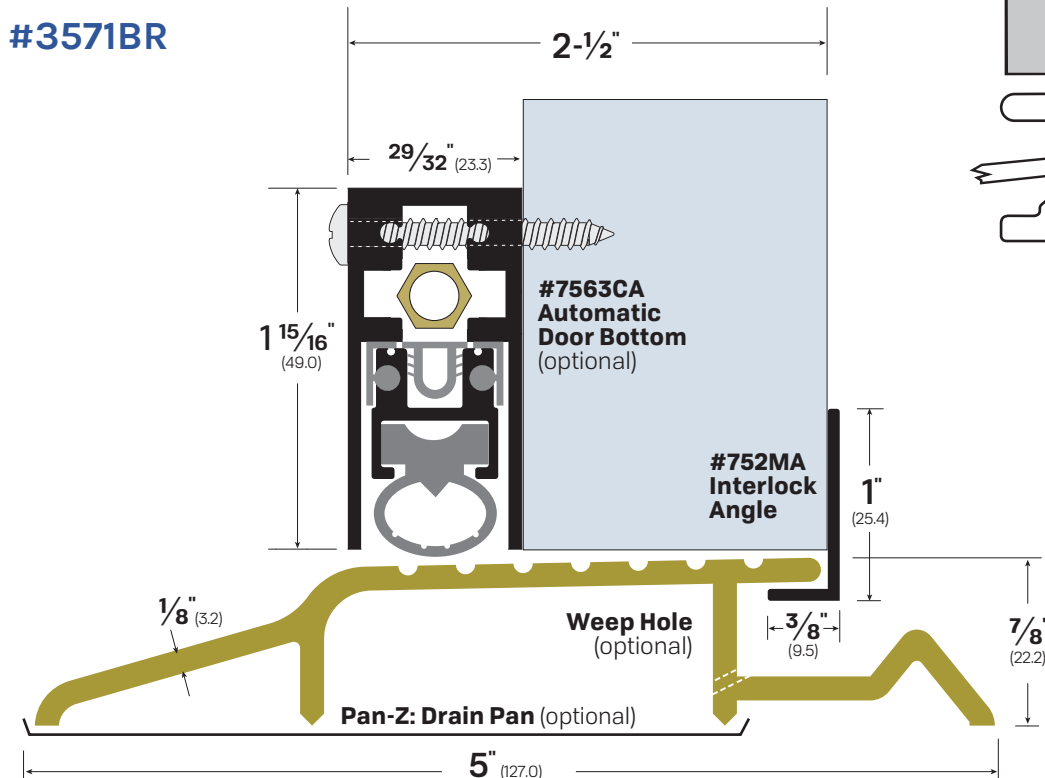
**#826-BR**



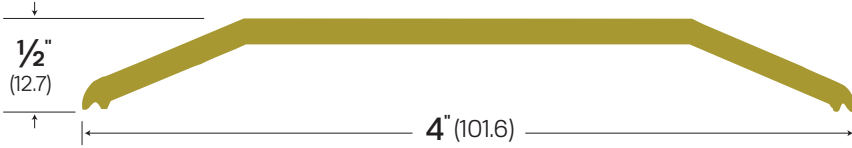
No: 21Z Hook-Zinc  
No: 21B Hook-Brass



**#3571BR**



**#813-BR**  
**#913-MA**



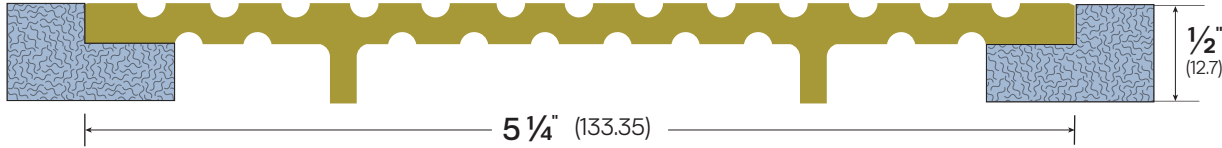
**#3545BR**



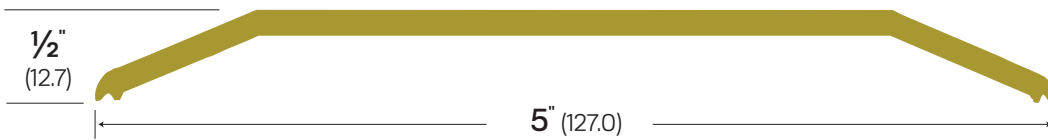
**#3656BR**



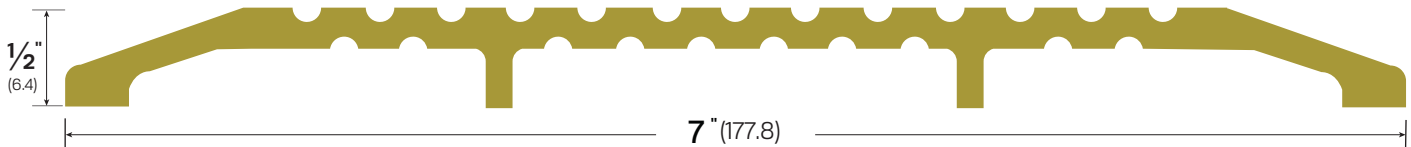
**#3514BR**



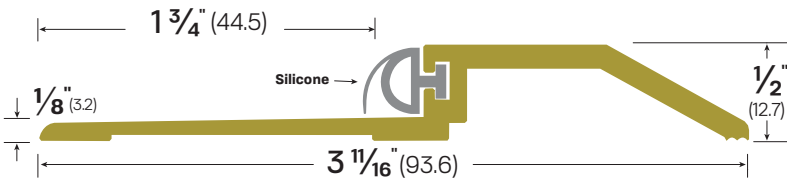
**#813G**



**#30756BR**

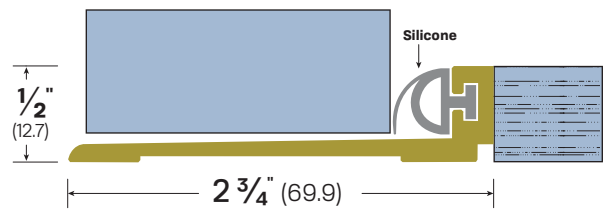


**#3465BR**

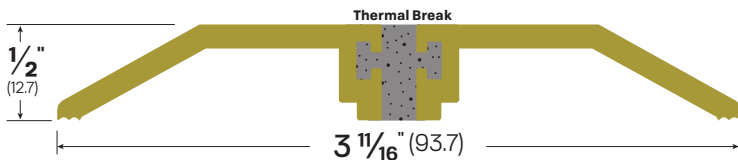


**OPTIONS: EMI/RFI** - Electromagnetic/Radio Frequency Interference

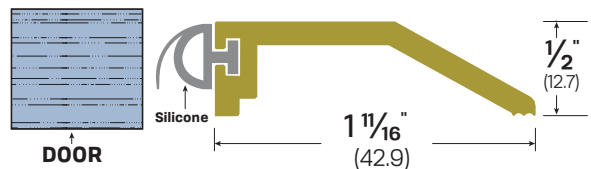
**#3762BR**



**#3512BR**



**#3292BR**

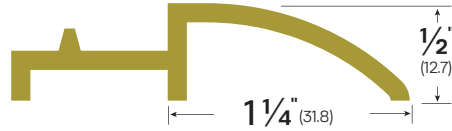


LEGACY	3545BR	3656BR	3514BR	30756BR	3465BR	3762BR	3512BR	3292BR
NGP	513BR	426B	-	427BR	-	-	-	-
PEMKO	271B	172B	-	176B	-	-	-	-
ZERO	545B	656B	-	657B	564B	-	-	-

**FINISHES: MA, BR**  
**OPTIONS: ACF, EPX, FL, LA, PEPX, RUB**  
**NOTES: Flathead Zinc-plated screws - #10 x 1-1/2"**



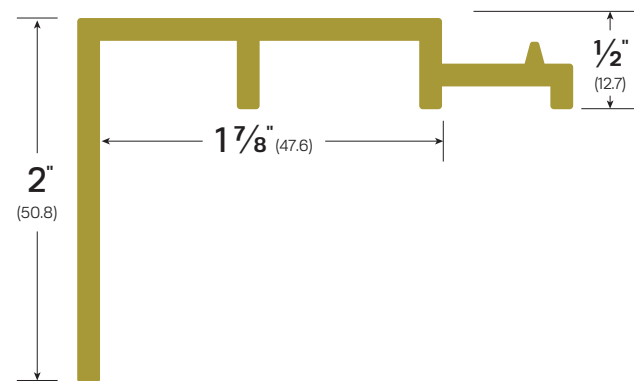
**#386BR**



**#3862BR**



**#3701BR**



**#3676BR** 6"

**#3576BR** 5"

**#3476BR** 4"

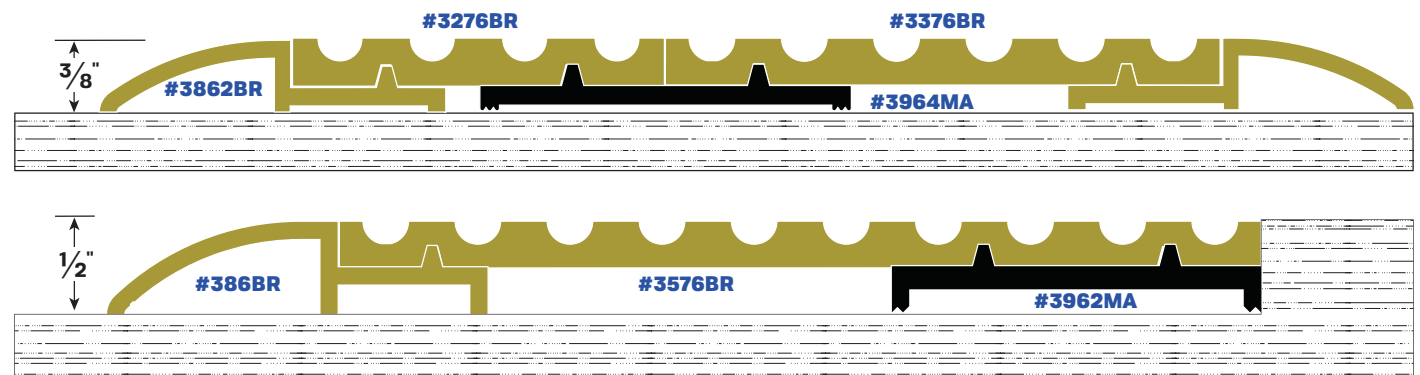
**#3376BR** 3"

**#3276BR** 2"



Thresholds  
Saddles

**Various Configurations** Configurations made from adjustable bronze thresholds.



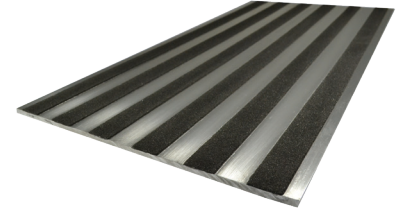
LEGACY	386BR	3862BR	3701BR	3276BR	3376BR	3476BR	3576BR	3676BR
NGP	8140BR	-	8134BR	8142BR	8143BR	8144BR	8145BR	8146BR
PEMKO	195B	-	3261B	190B	191B	192B	-	193B
ZERO	68B	268B	107B	672B	673B	674B	675B	676B

**FINISHES:** MA, BR  
**OPTIONS:** ACF, EPX, FL, LA, PEPX, RUB  
**NOTES:** Flathead Zinc-plated screws - #10 x 1-1/2"

\* Can be manufactured in both Aluminum and Stainless Steel.

## Expansion Joint Plates

### #3006EJ



#3106EJ-EPX

### #3106EJ

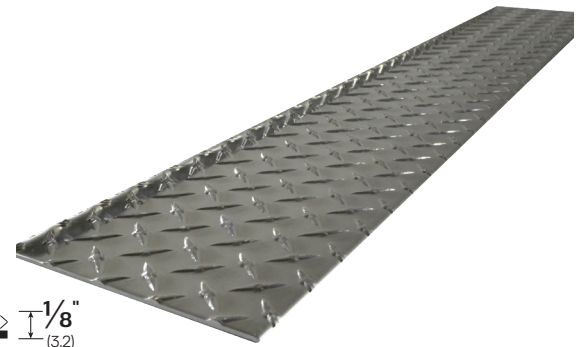


**FINISHES:** MA, SS

**OPTIONS:** ACF, EPX, FL, LS, PEPX, RB

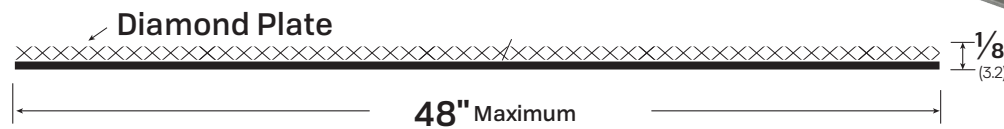
**AVAILABLE SIZES:** Specify for custom widths up to 48", lengths up to 120"

**NOTES:** Edges are **not beveled** and plates are **not drilled** unless specified.



#3960DPSS

### #3960DP DIAMOND TREAD PLATE

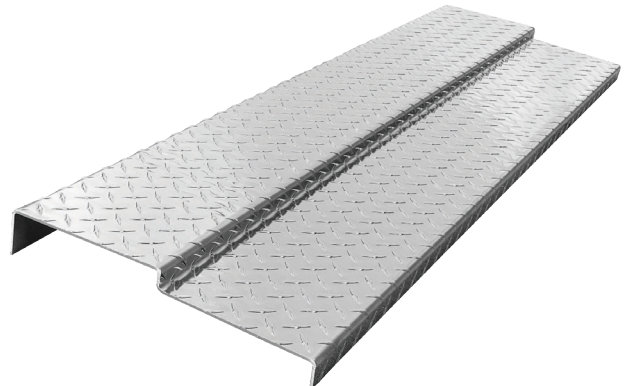
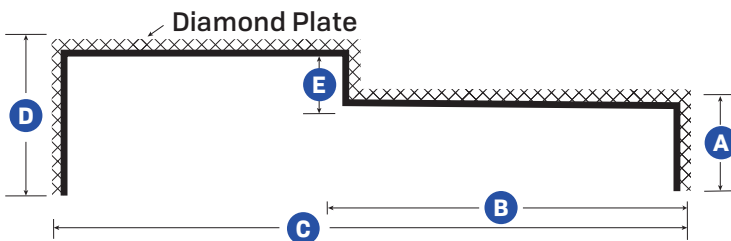


**FINISHES:** MA, SS, ST

**AVAILABLE SIZES:** Width Range: 2" - 48" - Length Range: 12" - 144"

**NOTES:** Edges are **not beveled** and plates are **not drilled** unless specified.

### #3966DP DIAMOND-PLATE BULKHEAD THRESHOLDS



#3966DPMA

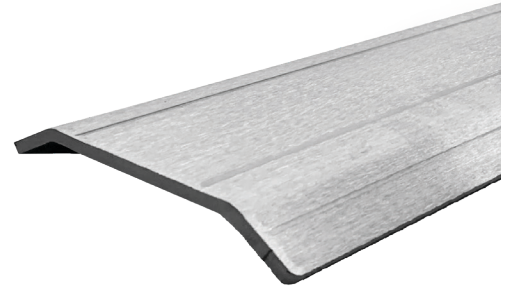
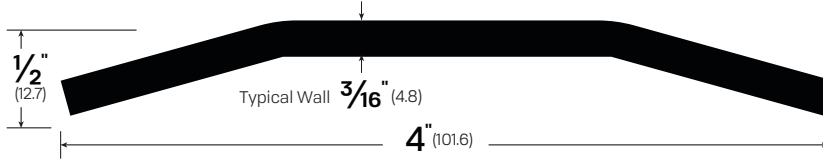
**FINISHES:** MA, SS, ST

**NOTES:**

- Custom order - Specify dimensions of A, B, C, D
- E dimension must be 1"
- Drawing is not drawn to scale

LEGACY	3006EJ	3106EJ	3960DP	3966DP
NGP	818	814	828	-
PEMCO	18/1A	14/1A	-	-
ZERO	600CP	601CP	-	669DP

**#3461SS**



#3461SS

**#3561SS**



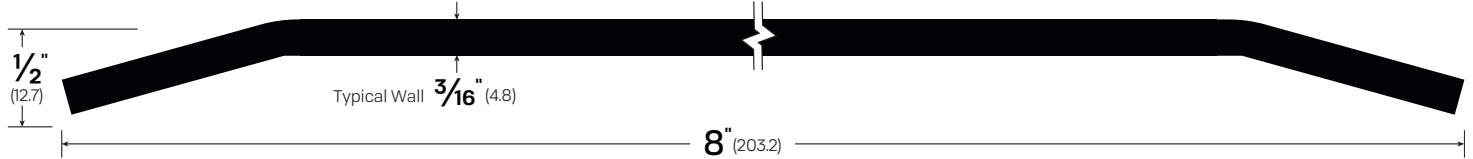
**#3661SS**



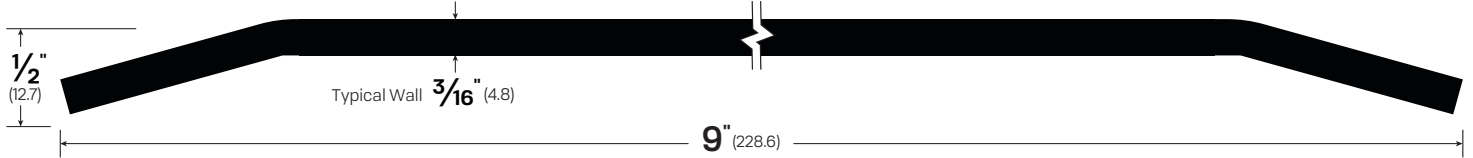
**#3761SS**



**#3861SS**



**#3961SS**



Thresholds  
Saddles

LEGACY	3461SS	3561SS	3661SS	3761SS	3861SS	3961SS
NGP	412SS	512SS	612SS	712SS	812SS	-
PEMKO	175SS	154SS	-	-	-	-
ZERO	664ST	-	-	-	-	-

**FINISHES:** SS  
**OPTIONS:** ACF, EPX, LS, FL, PEPX, RUB  
**NOTES:** Flathead Zinc-plated screws - #10 x 1-1/2"

# How To Order: Self-Adhesive Gasketing

Example #5881S-BK-PSA-17FT

**Easy Ways To Order**

**Email**  
Orders@LegacyLLC.com

**Phone**  
Local: +1 (718) 292-5333  
Toll Free: +1 (888) 383-3330

**PART NUMBER** - **COLOR** - **OPTIONS** - **LENGTH (FT)**  
**5881S** - **BK** - **PSA** - **17 FT**

**PART NUMBER**

- 1S 5814SPR
- 2S 5848S
- 3S 5881S
- 4S 5883S
- 5S 5884S
- 6S 7177S
- 7S 7277S
- 42PB 50517S
- 413PB 50518S
- 423PB 50519S
- 443PB 50778SPR
- 5018SPR 50878SPR
- 5088S 51888S
- 5118SPR 52408S
- 5213SPR 52718SPR
- 5218SPR 53408SPR
- 5258SPR 53508F
- 5428S 54418S
- 5628SPR 55418S
- 5658S 56128S
- 5711S 77128S
- 5813SPR

**COLOR**

Materials standard as noted for each part. Please check available colors listed for each product.

- BK** - Black
- BW** - Brown
- CL** - Clear
- GY** - Grey
- WH** - White

**OPTIONS**

Options vary by product. Please check available options listed for each product.

- Blank** - No Option
- LIG** - Ligature Resistant
- FX** - Intumescent
- PSA** - Pressure Sensitive Adhesive

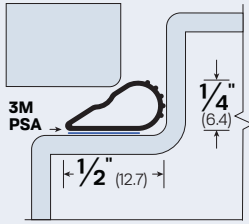
**LENGTH**

Please specify to nearest 12"



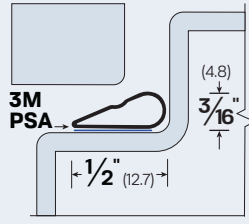
**Silicone with Pressure Sensitive Adhesive (PSA)**

**#5881S**   



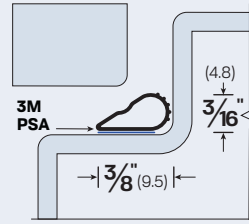
**COLORS:** BK, BW, CL, GY, WH  
**OPTIONS:** FX, LIG

**#5883S**   



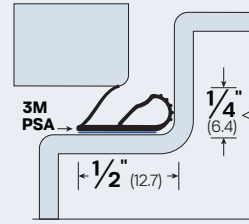
**COLORS:** BK, BW, CL, GY, WH  
**OPTIONS:** FX, LIG

**#5884S**   



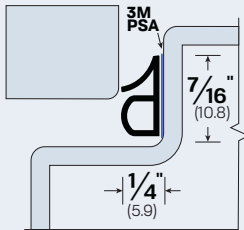
**COLORS:** BK, BW, CL, GY, WH  
**OPTIONS:** FX, LIG

**#55418S** 



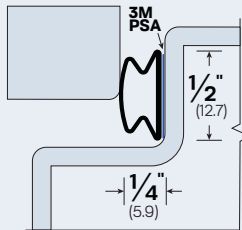
**COLORS:** BK, WH  
**OPTIONS:** LIG

**#5428S** 



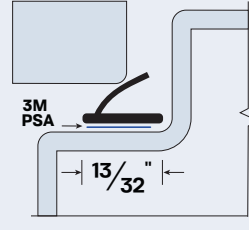
**COLORS:** BK, WH  
**OPTIONS:** LIG

**#56128S** 



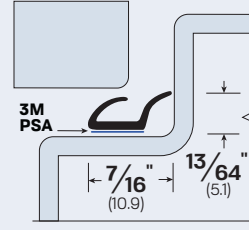
**COLORS:** BK, WH  
**OPTIONS:** LIG

**#5711S** 



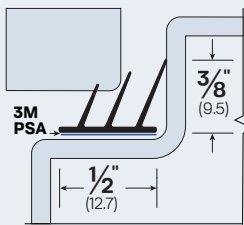
**COLORS:** BK, CL, GY, WH  
**OPTIONS:** LIG

**#52408S**   



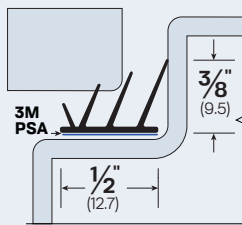
**COLORS:** BK, WH  
**OPTIONS:** LIG

**#50517S**   



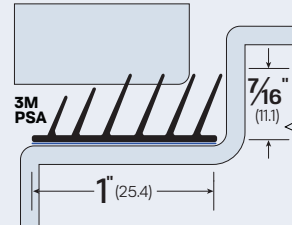
**COLORS:** BK, CL, WH  
**OPTIONS:** LIG

**#50518S**   



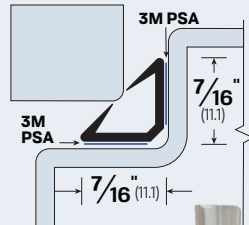
**COLORS:** BK, CL, WH  
**OPTIONS:** LIG

**#50519S**   



**COLORS:** BK  
**OPTIONS:** LIG

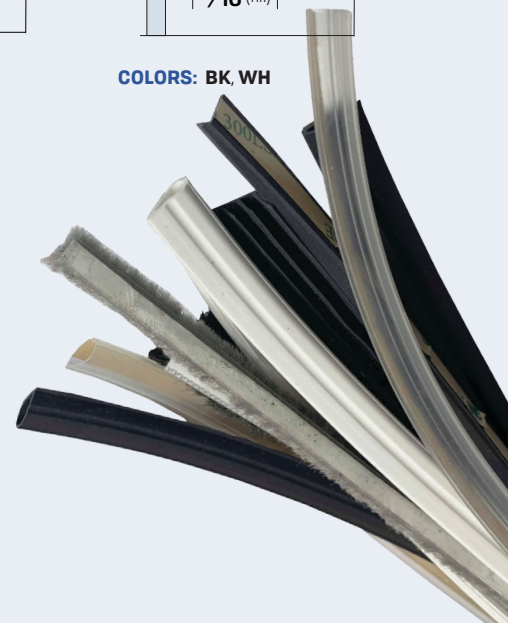
**#54418S** 



**COLORS:** BK, WH

LEGACY	5881S	5883S	5884S	50517S	50518S	50519S
NGP	5050C	-	2525C	5075C	-	-
PEMKO	S88BL	PK55BL	PK33BL	S773BL	-	S776BL
ZERO	188S-BK	-	488S-BK	-	8150S-BK	-

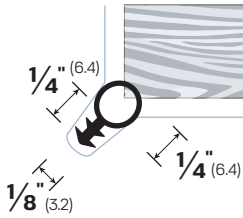
LEGACY	5428S	54418S	55418S	56128S	52408S	5711S
NGP	-	5020	2525Bx5040B	-	5070C	5040
PEMKO	-	S442BL	-	-	-	S44
ZERO	824N	8144S-BK	8145S-BK	8216S-BK	8042S-BK	117S-BK



Self-Adhesive Gasketing

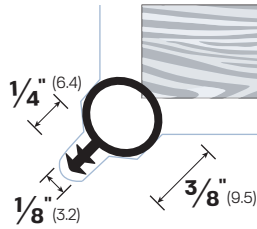
**Kerf Gasketing** *Silicone except as noted.*

**#1S**



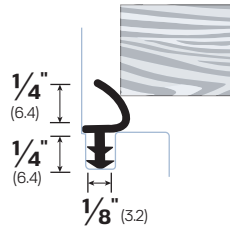
**COLORS:** BK, BW, GY, WH

**#2S**



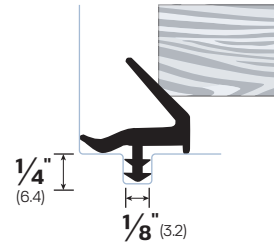
**COLORS:** BK, BW, GY, WH

**#3S**



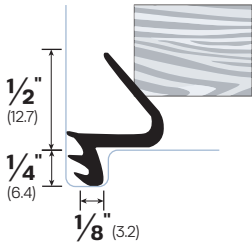
**COLORS:** BK, WH

**#4S**



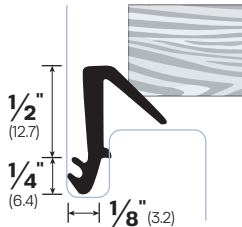
**COLORS:** BK, WH

**#5S**



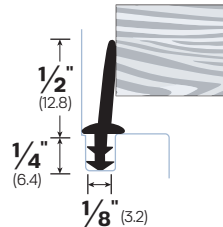
**COLORS:** BK, WH

**#6S**



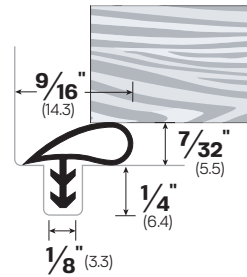
**COLORS:** BK, WH

**#7S**



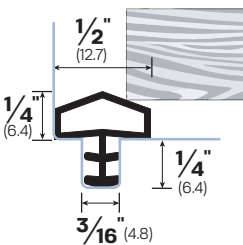
**COLORS:** BK, WH

**#5088S**



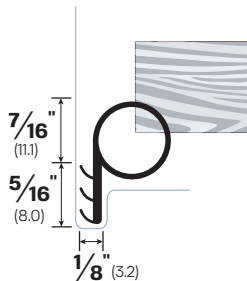
**COLORS:** BK, BW, WH

**#50188S**



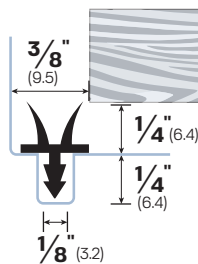
**COLORS:** BK, WH

**#5658S**



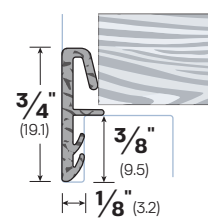
**COLORS:** BK, WH

**#5848S**



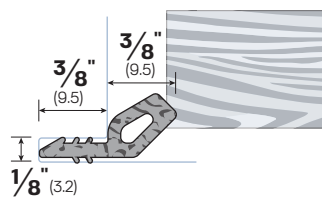
**COLORS:** BK

**#53408SPR**



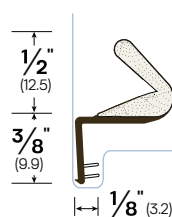
**COLORS:** BK  
**MATERIAL:** Sponge Neoprene

**#5258SPR**



**COLORS:** BK  
**MATERIAL:** Sponge Neoprene

**#53518F**



**COLORS:** BF, BKF, WF  
**MATERIAL:** Foam

LEGACY	1S	2S	3S	4S	5S	6S	7S
NGP	-	-	-	-	-	-	-
PEMKO	S104D100	S105D100	-	-	-	-	-
ZERO	8054S-BK	8055S-BK	8004N	-	8841R	8043N	-

LEGACY	5088S	51888S	5658S	5848S	5348S	5258S	53518F
NGP	-	-	-	-	-	-	PF183
PEMKO	-	-	-	-	-	-	Q106
ZERO	8800S-BK	8810S-BK	8056Y	8048S-BK	8043N	8052N	-

Self-Adhesive Gasketing

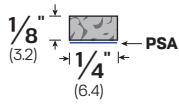


## Sponge Rubber (SPR)

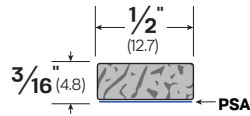
**NOTES:**

- SPR is black Neoprene.
- Pressure Sensitive Adhesive (PSA) standard

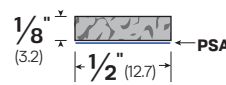
### #52718SPR



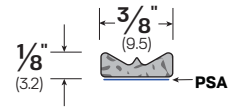
### #5213SPR



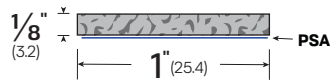
### #50778SPR



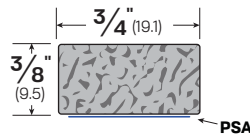
### #5628SPR



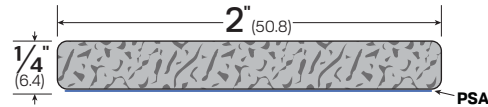
### #50878SPR



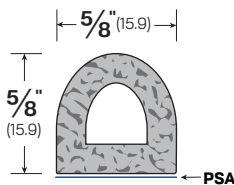
### #5813SPR



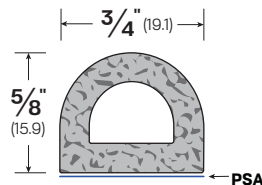
### #5814SPR



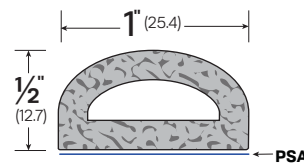
### #5018SPR



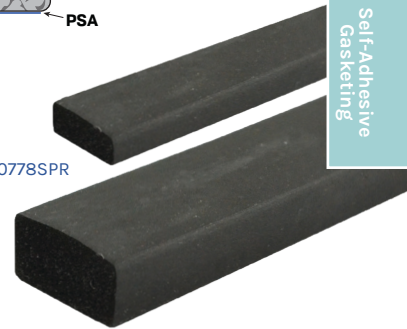
### #5118SPR



### #5218SPR



#50778SPR

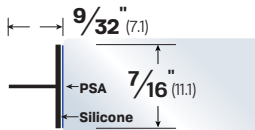


#5813SPR

Self-Adhesive  
 Gasketing

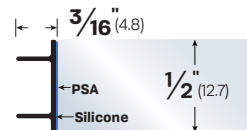
## Silicone Gasketing (S)

### #7177S



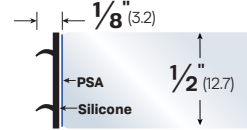
COLORS: BK, CL, WH

### #7277S



COLORS: BK, CL, WH

### #77128S



COLORS: BK, WH

#423PB-GY

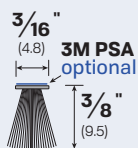


#443PB-BK

#42PB-BK

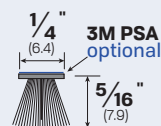
## Pile Brush

### #413PB



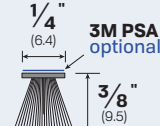
COLORS: GY  
 OPTIONS: PSA

### #423PB



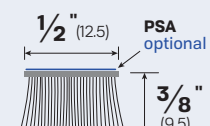
COLORS: GY, BK  
 OPTIONS: PSA

### #443PB



COLORS: GY, BK  
 OPTIONS: PSA

### #42PB



COLORS: BK, WH  
 OPTIONS: PSA

# How To Order: **Perimeter Seals**

Example #5077CA-FX-36

**Easy Ways To Order**

**Email**  
Orders@LegacyLLC.com

**Phone**  
Local: +1 (718) 292-5333  
Toll Free: +1 (888) 383-3330

**PART NUMBER & FINISH - OPTIONS - LENGTH**

**5077**      **CA**      -      **FX**      -      **36**

**PART #**

501	5552
513	5574
523	5583
589	5584
599	5623
5001	5823SPB
5041	5823
5071	5873
5072	5874
5074	5903
5075	5924
5077SPB	5924L-EXT
5077	5974
5078SPB	50777
5078	51888
5175	52888
5178	53038
5203-FX	59150
5217	
5272	
5274	
5413	

**FINISH / MATERIAL**

Perimeter seals are available in Aluminum and Steel in various options. Please check available finishes listed for each product.

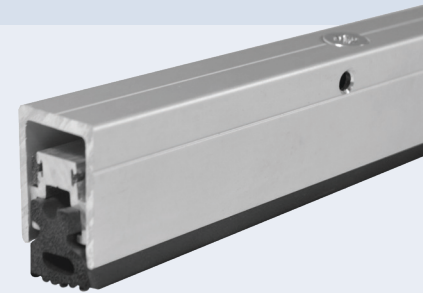
- CA** - Clear Anodized Aluminum
- MA** - Mill Aluminum
- BK** - Black Anodized Aluminum
- DB** - Dark Bronze Anodized Aluminum
- MB** - Matte Black Powder Coat
- WP** - White Powder Coat
- BR** - Architectural Bronze
- SP** - Grey Steel Prime
- SS** - Stainless Steel

**OPTIONS**

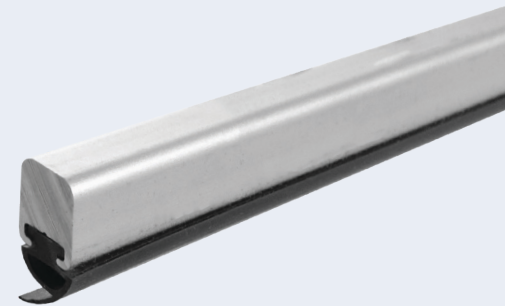
Options vary by product. Please check available options listed for each product.

<b>Blank</b> - No Option	<b>PB-BK</b> - Black Pile Brush
<b>EMI/RFI</b> - Electromagnetic/Radio Frequency Interference	<b>PB-GY</b> - Grey Pile Brush
<b>FL</b> - Fire Label	<b>POL</b> - Polished Bronze
<b>FOAM</b> - Foam Insert	<b>PSA</b> - Pressure Sensitive Adhesive
<b>FX</b> - Intumescent	<b>RS</b> - Access Control Ribbon Switch
<b>LIG</b> - Ligature Resistant	<b>S-WH</b> - White Silicone
	<b>SF</b> - Security Fasteners

**LENGTH**      Please specify to nearest 1/16"



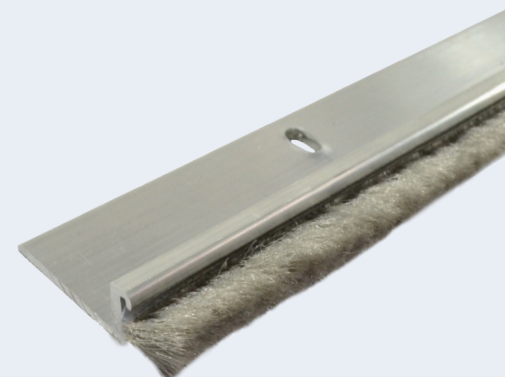
#5071CA



#513CA

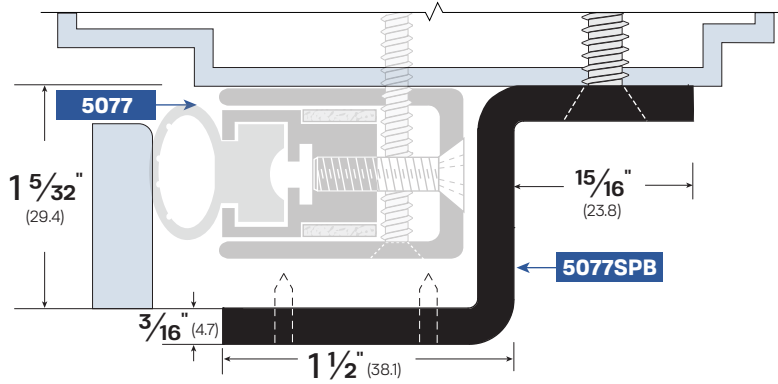


#5874CA



#589MA

**#5077SPB**



**FINISHES:** SP

**OPTIONS:** FL - Fire Label

**NOTES:**

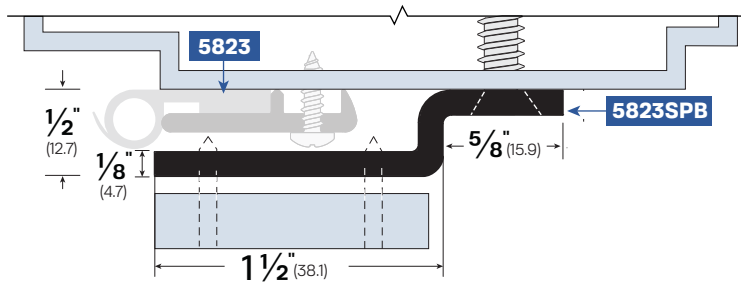
- Closer Bracket Plate
- To be used with 5071, 5077 or parts of similar size.
- Standard length is 6"
- Specify other length if needed.



#5077SPB-SP

LEGACY	NGP	PEMKO	ZERO
<b>5077SPB</b>	3SP	-	770SPB

**#5823SPB**



**FINISHES:** SP

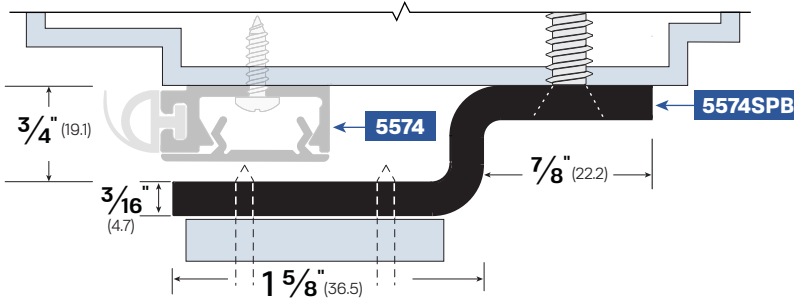
**OPTIONS:** FL - Fire Label

**NOTES:**

- Closer Bracket Plate
- To be used with 5071, 5077 or parts of similar size
- Standard length is 6"
- Specify other length if needed.

LEGACY	NGP	PEMKO	ZERO
<b>5823SPB</b>	-	-	328SPB

**#5078SPB**



**FINISHES:** SP

**OPTIONS:** FL - Fire Label

**NOTES:**

- Closer Bracket Plate
- To be used with 5574, 5075, 5078 or parts of similar size
- Standard length is 6"
- Specify other length if needed.

LEGACY	NGP	PEMKO	ZERO
<b>5078SPB</b>	7SP	-	870SPB



5077SPB installed at the door strike.



5823SPB installed at the head of the door.

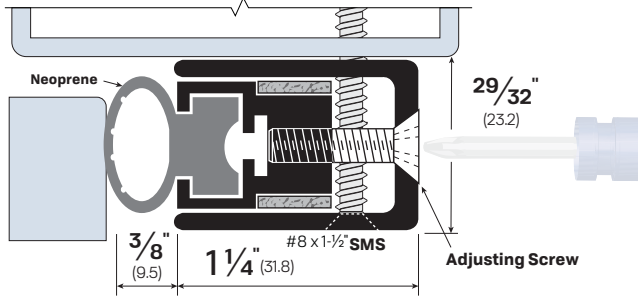
## Adjustable Seals

These systems provide adjustability that helps compensate for gaps due to imperfect door alignment at installation, or resulting from temperature and humidity changes, in order to optimize sealing performance. Adjustments are made simply with a few turns of a screwdriver.



#5077CA Installed on head of frame.

### #5077



**FINISHES:** CA, BK, WP, SP, SS

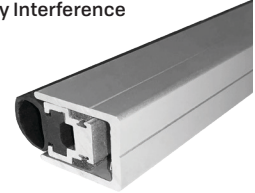
**OPTIONS:** FL - Fire Label

EMI/RFI - Electromagnetic/Radio Frequency Interference

**NOTES:**

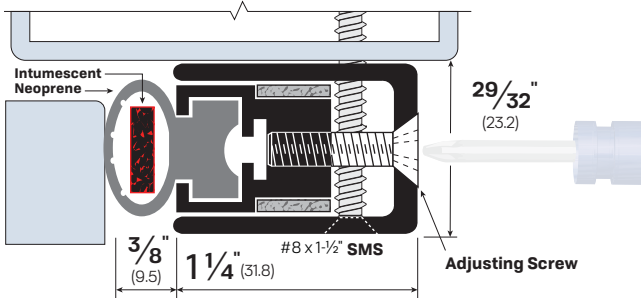
- Used with a cased open frame
- Replacement neoprene - Part #4563N

LEGACY	NGP	PEMKO	ZERO
5077	1038N	319N	770AA



#5077CA

### #5077-FX



**FINISHES:** CA, BK, WP, SP, SS

**OPTIONS:** FX - Intumescent for Fire/Acoustical applications

**NOTES:**

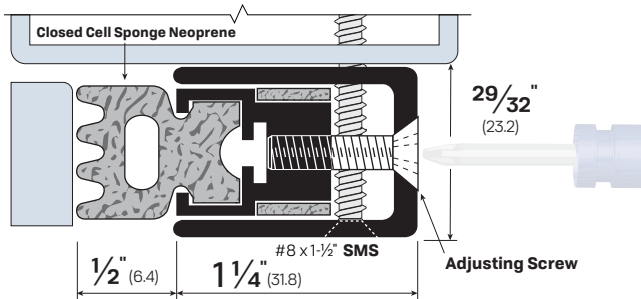
- Used with a cased open frame
- Replacement FX - Part #13312
- Replacement neoprene - Part #4563N

LEGACY	NGP	PEMKO	ZERO
5077-FX	-	-	770FS



#5077CA-FX

### #5071



**FINISHES:** CA, BK, WP, SP, SS

**NOTES:**

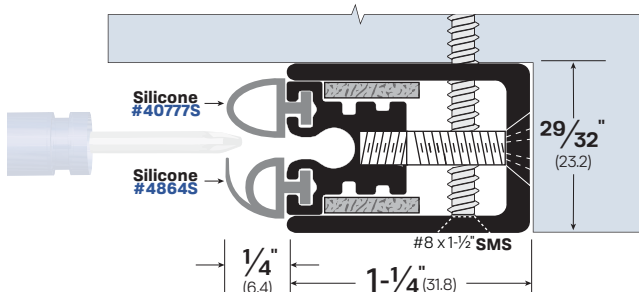
- Used with a cased open frame
- Replacement closed cell sponge neoprene - Part #4363SPR

LEGACY	NGP	PEMKO	ZERO
5071	103N	350CSR	170AA



#5071CA

### #50777



**FINISHES:** CA, BK, WP, SP, SS

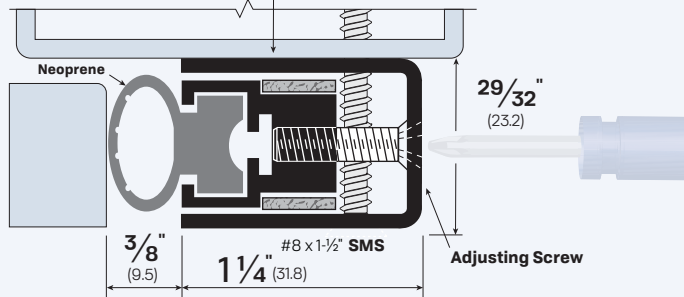
**NOTES:**

- Replacement closed cell sponge neoprene - Part #4363SPR
- Replacement silicone - Part #40777S Available in Black (-BK) and White (-WH)
- Replacement silicone - Part #4864S Available in Black (-BK) and White (-WH)
- Adjustable range is up to 5/16" (7.9)

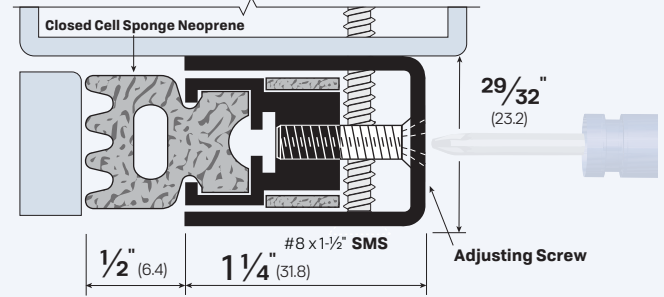
LEGACY	NGP	PEMKO	ZERO
50777	-	-	7770AA

**Stainless Steel**

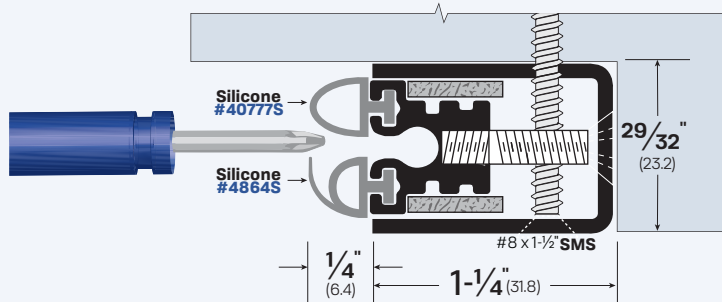
**#5077SS**



**#5071SS**



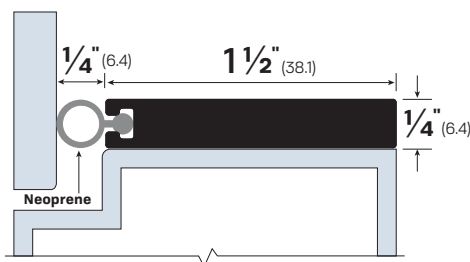
**#50777SS**



FINISHES: SP, SS

LEGACY	5077SS	5071SS	50777SS
NGP	-	-	-
PEMKO		-	-
ZERO	770SS/770SP	170SS/170SP	7770SS/7770SP

**#5924**



FINISHES: MA, MB, WP

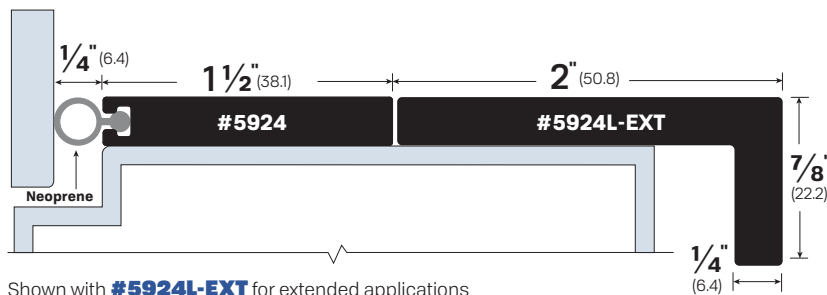
OPTIONS:

- FL - Fire Label
- LIG - Ligature Resistant

NOTES:

- Allows mounting door closer or rim exit device strikes without notching or other breaks in seal.
- Replacement neoprene - Part #4338N

**#5924L-EXT**



Shown with #5924L-EXT for extended applications

LEGACY	NGP	PEMKO	ZERO
<b>5924</b>	700N	2891AS	429AA

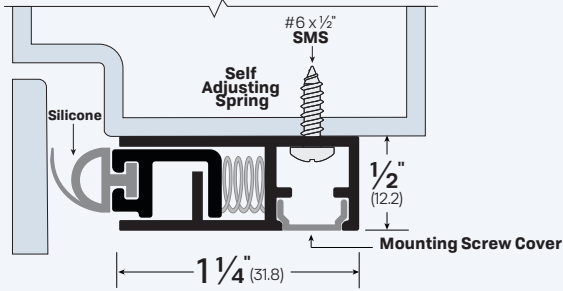


#5077 installed in conjunction with #5077SPB.

Perimeter Seals

## #501 (Patent Pending)

Developed in response to customer demand, this unique design innovation eliminates the trade-off between functionality and aesthetics in mechanically fastened adjustable gasketing. The mounting screw is concealed inside a housing for a clean, uninterrupted surface along the perimeter seal. Available only from Legacy.



**FINISHES:** CA, BK

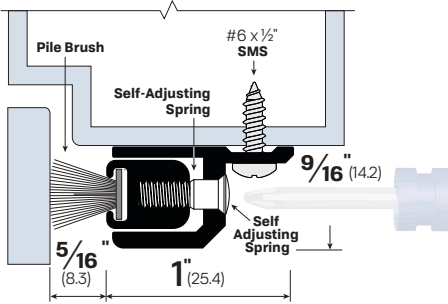
**OPTIONS:**

- FL - Fire Label
- LIG - Ligature Resistant
- S-WH - White Silicone
- SF - Security Fasteners

**NOTES:** Self-adjusting perimeter seal with concealed screws.

LEGACY	NGP	PEMKO	ZERO
501	-	-	-

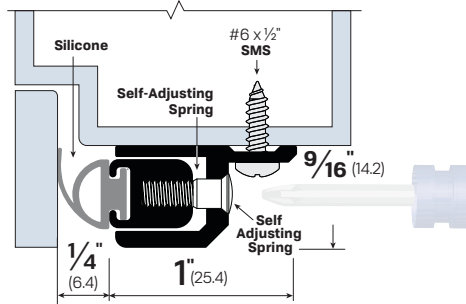
## #5552



**FINISHES:** CA, DB, MB, WP

LEGACY	NGP	PEMKO	ZERO
5552	140	351CP	255AA

## #5217



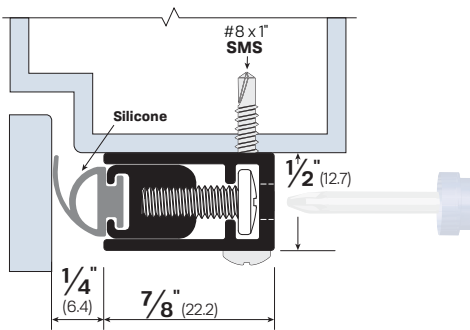
**FINISHES:** CA, DB, MB, WP

**OPTIONS:**

- LIG - Ligature Resistant
- S-WH - White Silicone

LEGACY	NGP	PEMKO	ZERO
5217	141N	-	712AA

## #5078



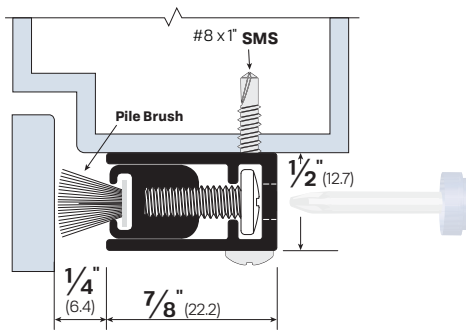
**FINISHES:** CA, BK, WP

**OPTIONS:**

- LIG - Ligature Resistant
- S-WH - White Silicone
- FL - Fire Label

LEGACY	NGP	PEMKO	ZERO
5078	106N	379AR	870AA

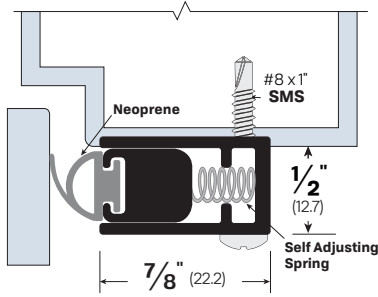
## #5178



**FINISHES:** CA, BK, WP

LEGACY	NGP	PEMKO	ZERO
5178	140P	351CP	871AA

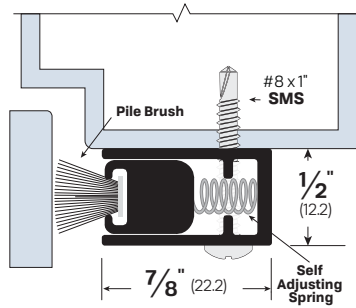
**#5075**



FINISHES: CA, BK, WP

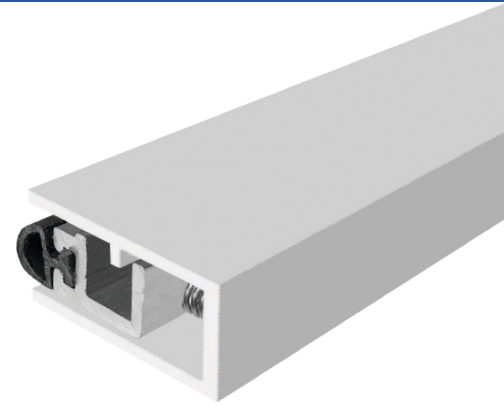
LEGACY	NGP	PEMKO	ZERO
5075	141N	379AR	570AA

**#5175**



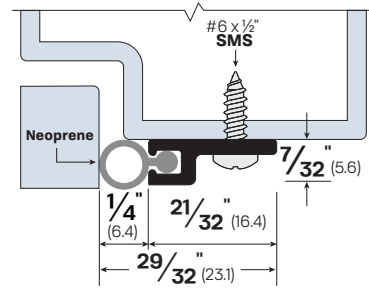
FINISHES: CA, BK, WP

LEGACY	NGP	PEMKO	ZERO
5175	141P	-	571AA



#5075CA

**#53038**

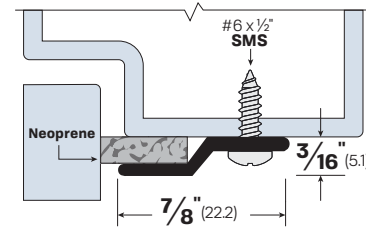


FINISHES: CA, BK, WP

OPTIONS: FL - Fire Label  
 PSA - Pressure Sensitive Adhesive

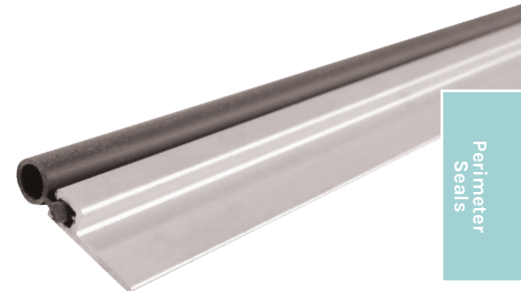
LEGACY	NGP	PEMKO	ZERO
53038	135N	303PIC	8303AA

**#59150**



FINISHES: MA, DB

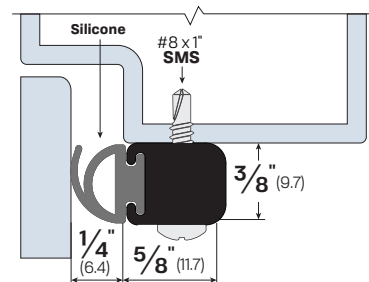
LEGACY	NGP	PEMKO	ZERO
59150	-	-	-



#53038CA

Perimeter Seals

**#513**

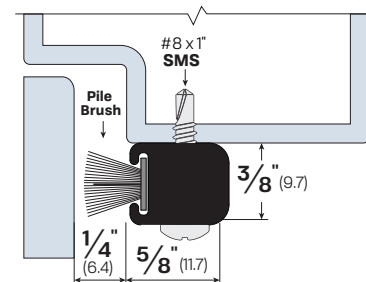


FINISHES: CA, BK, WP

OPTIONS:  
 LIG - Ligature Resistant S-WH - White Silicone  
 FL - Fire Label

LEGACY	NGP	PEMKO	ZERO
513	2N	300CP	31AA

**#523**



FINISHES: CA, BK, WP

OPTIONS:  
 PB-BK - Black Pile Brush PB-GY - Grey Pile Brush

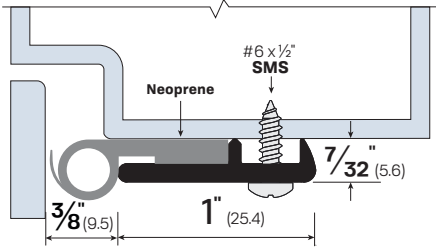
LEGACY	NGP	PEMKO	ZERO
523	2P	300CP	32AA



#513CA

LEGACY	NGP	PEMKO	ZERO
533	2S	-	33AA

**#5623**  



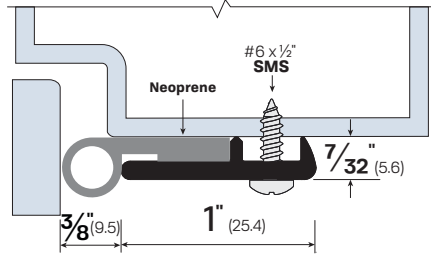
**FINISHES:** CA, BK, WP

**OPTIONS:**

**LIG** - Ligature Resistant    **POL** - Polished Bronze  
**FL** - Fire Label

LEGACY	NGP	PEMKO	ZERO
<b>5623</b>	137N	319N	326AA

**#5823**  



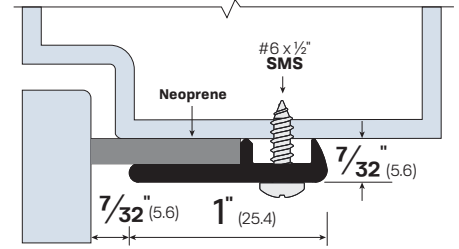
**FINISHES:** CA, BK, WP

**OPTIONS:**

**LIG** - Ligature Resistant    **POL** - Polished Bronze  
**FL** - Fire Label

LEGACY	NGP	PEMKO	ZERO
<b>5823</b>	137N	319N	328AA

**#5413** 



**FINISHES:** CA, BK, WP

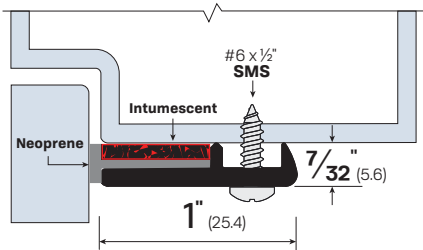
**OPTIONS:**

**LIG** - Ligature Resistant    **POL** - Polished Bronze  
**FL** - Fire Label

LEGACY	NGP	PEMKO	ZERO
<b>5413</b>	134N	319AR	314AA

Perimeter Seals

**#5203-FX**



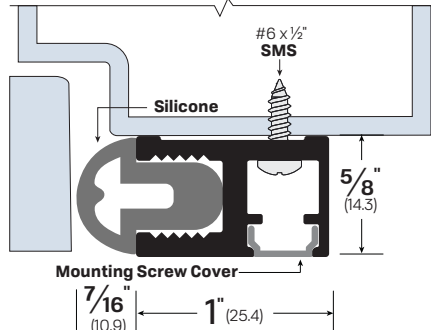
**FINISHES:** CA, BK, WP

**OPTIONS:**

**LIG** - Ligature Resistant    **POL** - Polished Bronze  
**FX** - Intumescent

LEGACY	NGP	PEMKO	ZERO
<b>5203-FX</b>	-	-	302FS

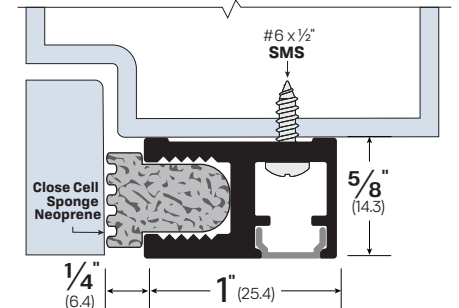
**#51888**



**FINISHES:** CA, MB, WP

LEGACY	NGP	PEMKO	ZERO
<b>51888</b>	-	-	-

**#52888**



**FINISHES:** CA, MB, WP

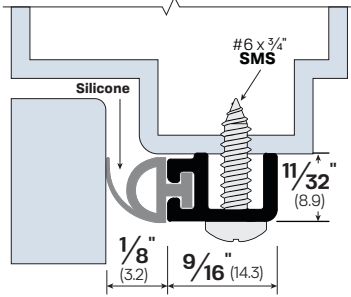
LEGACY	NGP	PEMKO	ZERO
<b>52888</b>	-	-	-



Adjustable gasketing applied to the frame on a pair of conference room doors.



**#5584**



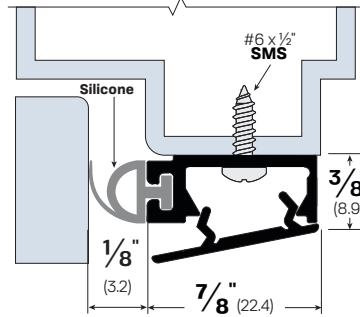
**FINISHES:** MA, BK, WP

**OPTIONS:**

**LIG** - Ligature Resistant **FL** - Fire Label  
**NIT** - Nitrile Extrusion

LEGACY	NGP	PEMKO	ZERO
5584	152S	312AR	485A

**#5574**



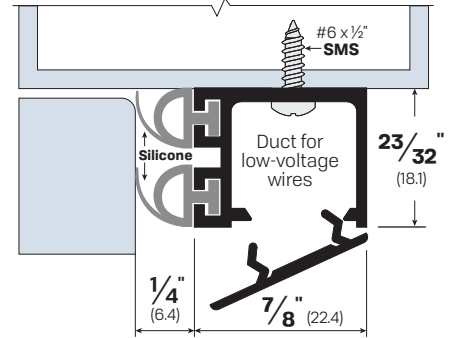
**FINISHES:** CA, BK, WP

**OPTIONS:**

**LIG** - Ligature Resistant **FL** - Fire Label  
**S-WH** - White Silicone **NIT** - Nitrile Extrusion

LEGACY	NGP	PEMKO	ZERO
5574	172N	29321-TF	475AA

**#5874**



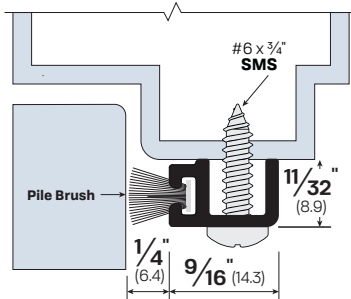
**FINISHES:** CA, MB, WP

**OPTIONS:**

**FL** - Fire Label **S-WH** - White Silicone

LEGACY	NGP	PEMKO	ZERO
5874	-	-	478AA

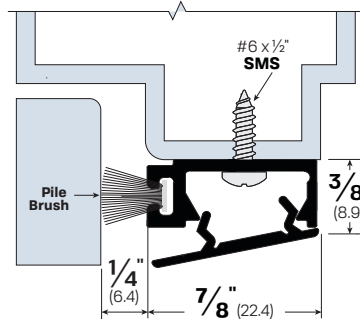
**#5583**



**FINISHES:** MA, BK, WP

LEGACY	NGP	PEMKO	ZERO
5583	-	-	-

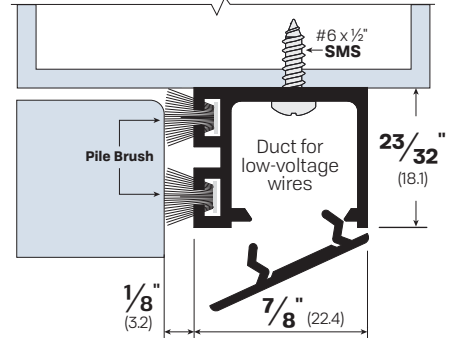
**#5974**



**FINISHES:** CA, BK, WP

LEGACY	NGP	PEMKO	ZERO
5974	-	-	-

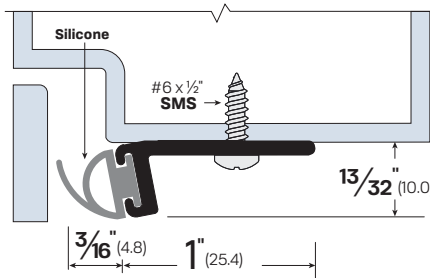
**#5873**



**FINISHES:** CA, MB, WP

LEGACY	NGP	PEMKO	ZERO
5873	-	-	-

**#599**



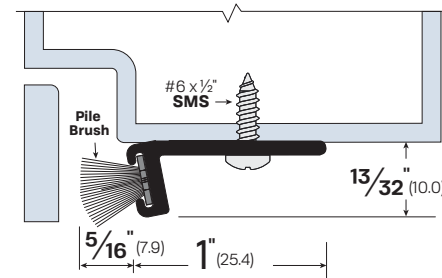
**FINISHES:** MA, BK, WP

**OPTIONS:**

**LIG** - Ligature Resistant **S-WH** - White Silicone

LEGACY	NGP	PEMKO	ZERO
599	161N	-	99A

**#589**



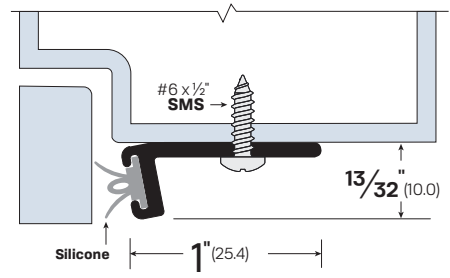
**FINISHES:** MA, BK, WP

**OPTIONS:**

**PB-GY** - Grey Pile Brush **PB-BK** - Black Pile Brush

LEGACY	NGP	PEMKO	ZERO
589	161P	-	98A

**#5001**



**FINISHES:** MA, BK, WP

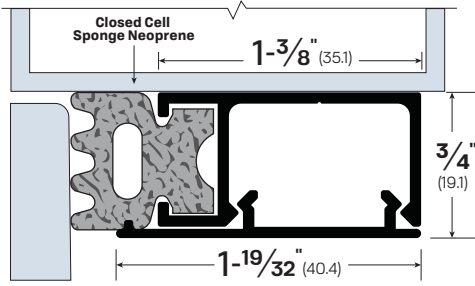
**OPTIONS:**

**LIG** - Ligature Resistant **S-WH** - White Silicone

LEGACY	NGP	PEMKO	ZERO
5001	-	-	100A

Perimeter Seals

### #5074



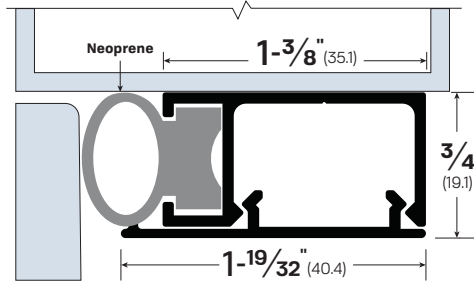
**FINISHES:** MA, MB, WP

**OPTIONS:**

**FOAM** - Foam **LIG** - Ligature Resistant

LEGACY	NGP	PEMKO	ZERO
5074	-	-	470AA

### #5274

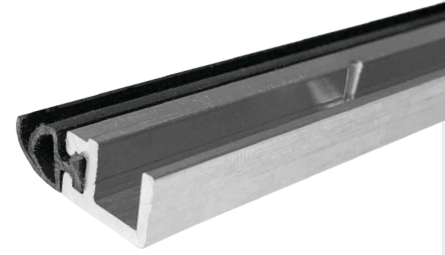


**FINISHES:** MA, MB, WP

**OPTIONS:**

**FOAM** - Foam **FX** - Intumescent

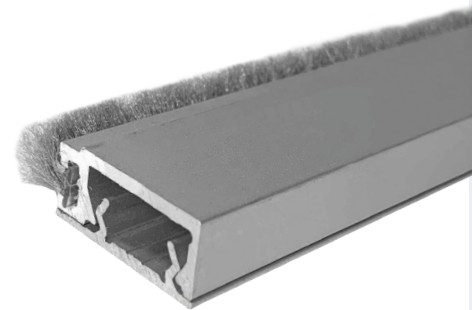
LEGACY	NGP	PEMKO	ZERO
5274	-	-	472AA



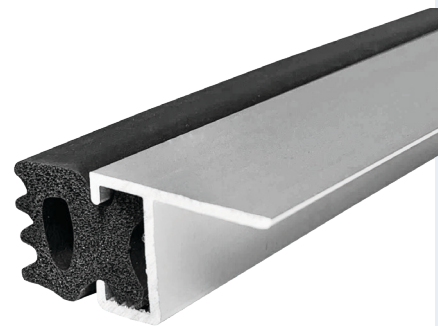
#5584CA



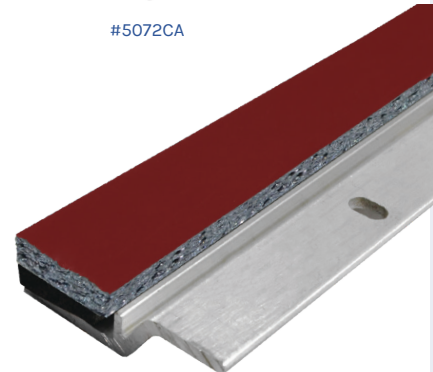
#5072CA



#5041CA-FX

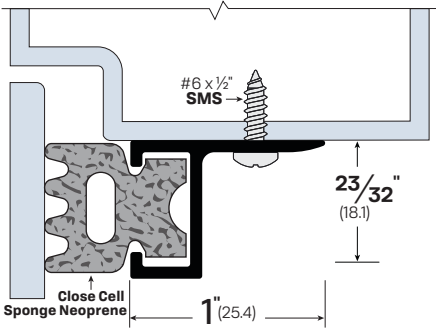


#5072CA



#5041CA-FX

### #5072

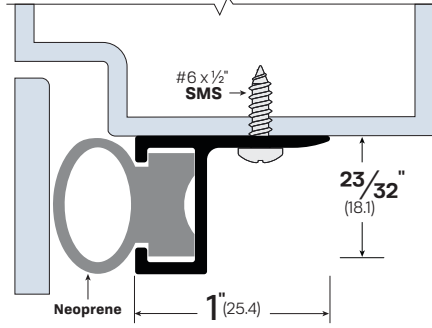


**FINISHES:** MA, DB, MB, WP

**OPTIONS:** LIG - Ligature Resistant

LEGACY	NGP	PEMKO	ZERO
5072	108N	285	270A

### #5272



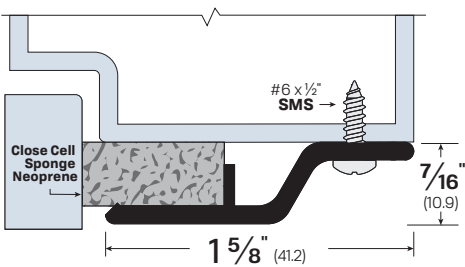
**FINISHES:** MA, DB, MB, WP

**OPTIONS:**

**FX** - Intumescent **RS** - Ribbon Switch

LEGACY	NGP	PEMKO	ZERO
5272	-	-	272A

### #5041

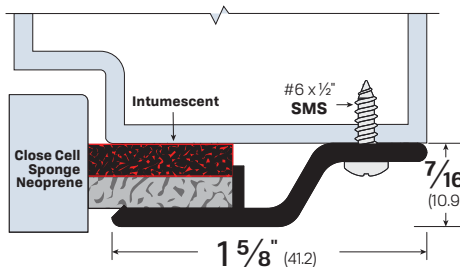


**FINISHES:** CA, BK

**OPTIONS:** FL - Fire Label

LEGACY	NGP	PEMKO	ZERO
5041	122N	375AR	140A

### #5041-FX



**FINISHES:** CA, BK

**OPTIONS:** FX - Intumescent

LEGACY	NGP	PEMKO	ZERO
5041-FX	-	-	140FS

# How To Order: Meeting Stiles / Astragals

Example #7383CA-84-TX

**Easy Ways To Order**
**Email**  
 Orders@LegacyLLC.com

**Phone**  
 Local: +1 (718) 292-5333  
 Toll Free: +1 (888) 383-3330

**PART NUMBER & FINISH - LENGTH - OPTIONS**  
**7383 CA - 84 -**

PART #	BOTH DOORS ACTIVE		ONE ACTIVE DOOR	
	413PB	714	7483	
789	715	7531		
799	733	7631		
7001	734	7731		
7075	735	7831		
7078	743	7933		
7178	744	70481		
7275	763	77128S		
7378	774	77319		
7552	795			
7574	7041			
7583	7177S			
7623	7277S			
7823	7383			
7974	<b>NOTES: Both Doors Active:</b>			
72918	Order quantity must be 2, one for each leaf of the opening.			
73918				
74918				

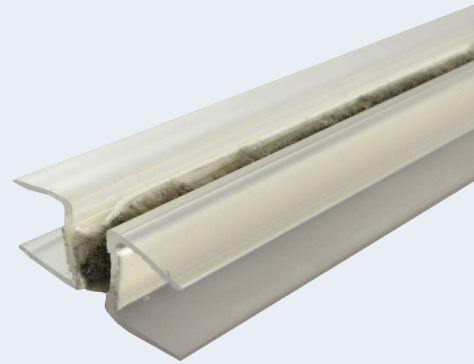
Finishes vary by product. Please check available finishes listed for each product.

**CA** - Clear Anodized Aluminum  
**MA** - Mill Aluminum  
**DB** - Dark Bronze Anodized Aluminum  
**BK** - Black Anodized Aluminum  
**MB** - Matte Black Powder Coat  
**WP** - White Powder Coat  
**SP** - Steel Prime  
**SS** - Stainless Steel

Please specify to nearest 1/16"

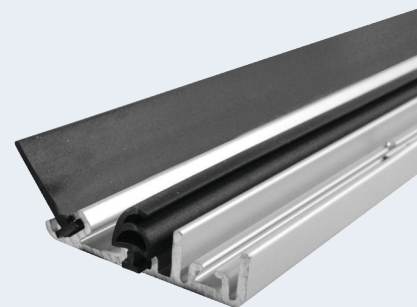
Options vary by product. Please check available options listed for each product.

<b>Blank</b> - No Option	<b>NH</b> - No Holes	<b>SF</b> - Security Fasteners
<b>FL</b> - Fire Label	<b>POL</b> - Polished Bronze	<b>SLC</b> - Strike Lip Cut
<b>LIG</b> - Ligature Resistant	<b>PSA</b> - Pressure Sensitive Adhesive	<b>S-WH</b> - White Silicone
		<b>TX</b> - Torx Security Screws


 #7531  
 #7731

 PAIR OF  
 #74918CA

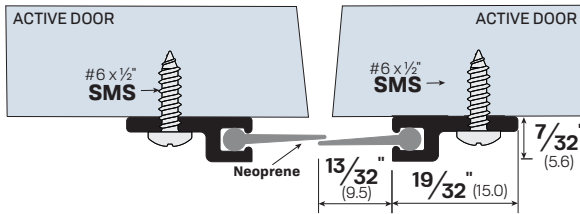

#735MA



#7383CA

**#74918**

**#74918**



**FINISHES:** CA, BK, WP

**OPTIONS:**

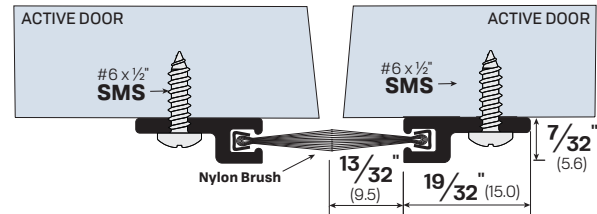
**FL** - Fire Label      **LIG** - Ligature Resistant

**PSA** - Pressure Sensitive Adhesive    **SF** - Security Fasteners

LEGACY	NGP	PEMKO	ZERO
<b>74918</b>	115N	308CPK	8194AA

**#73918**

**#73918**



**FINISHES:** CA, BK, WP

**OPTIONS:** PSA - Pressure Sensitive Adhesive

**SF** - Security Fasteners

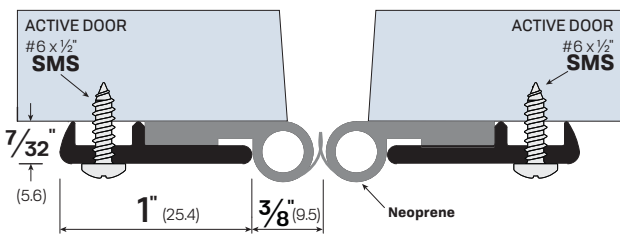
LEGACY	NGP	PEMKO	ZERO
<b>73918</b>	A605	18041CNB	8193AA



PAIR OF  
#73918

**#7623**

**#7623**



**FINISHES:** CA, BK, WP, BR

**OPTIONS:**

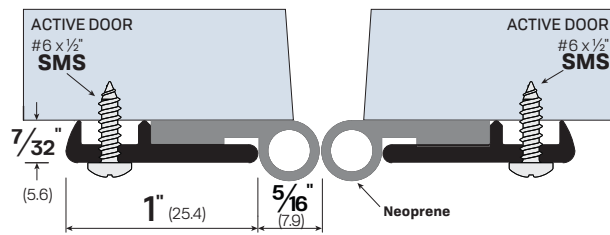
**FL** - Fire Label      **LIG** - Ligature Resistant

**POL** - Polished Bronze

LEGACY	NGP	PEMKO	ZERO
<b>7623</b>	137N	319N	326AA

**#7823**

**#7823**



**FINISHES:** CA, BK, WP, BR

**OPTIONS:**

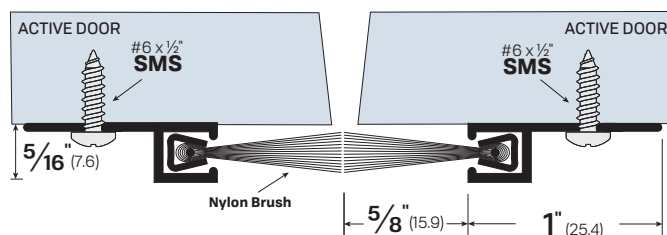
**FL** - Fire Label      **LIG** - Ligature Resistant

**POL** - Polished Bronze

LEGACY	NGP	PEMKO	ZERO
<b>7823</b>	137N	319N	328AA

**#72918**

**#72918**



**FINISHES:** CA, BK, WP

**OPTIONS:** PSA - Pressure Sensitive Adhesive

**SF** - Security Fasteners

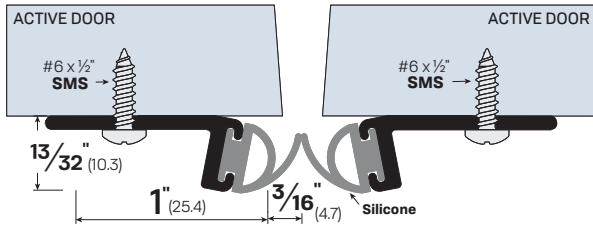
LEGACY	NGP	PEMKO	ZERO
<b>72918</b>	C607A	18061CNB	8192AA



PAIR OF  
#74918

**#799**

**#799**



**FINISHES:** MA, BK, WP

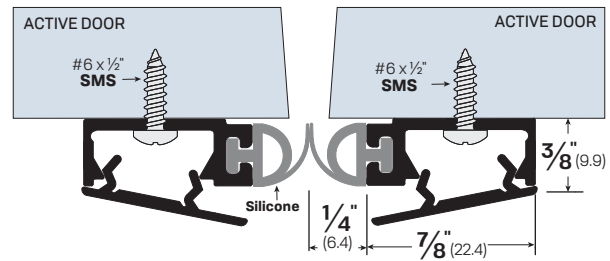
**OPTIONS:**

**LIG** - Ligature Resistant    **S-WH** - White Silicone

LEGACY	NGP	PEMKO	ZERO
<b>799</b>	161N	316AS	99A

**#7574**

**#7574**



**FINISHES:** CA, BK, WP

**OPTIONS:**

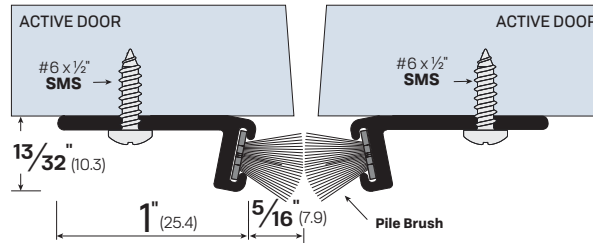
**FL** - Fire Label    **LIG** - Ligature Resistant

**S-WH** - White Silicone

LEGACY	NGP	PEMKO	ZERO
<b>7574</b>	172N	29321-TF	475AA

**#789**

**#789**

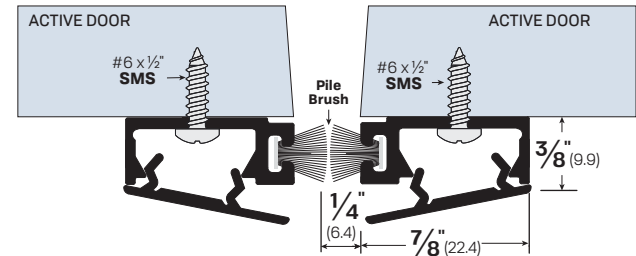


**FINISHES:** MA, BK, WP

LEGACY	NGP	PEMKO	ZERO
<b>789</b>	161P	-	98A

**#7974**

**#7974**

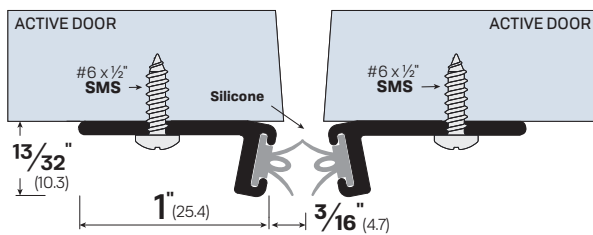


**FINISHES:** CA, BK, WP

LEGACY	NGP	PEMKO	ZERO
<b>7974</b>	-	-	-

**#7001**

**#7001**



**FINISHES:** MA, BK, WP

**OPTIONS:**

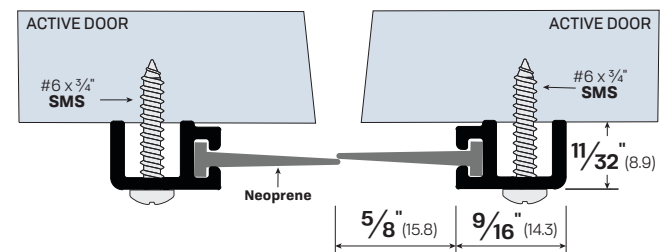
**LIG** - Ligature Resistant

**S-WH** - White Silicone

LEGACY	NGP	PEMKO	ZERO
<b>7001</b>	161S	-	100A

**#7583**

**#7583**



**FINISHES:** CA, BK, WP

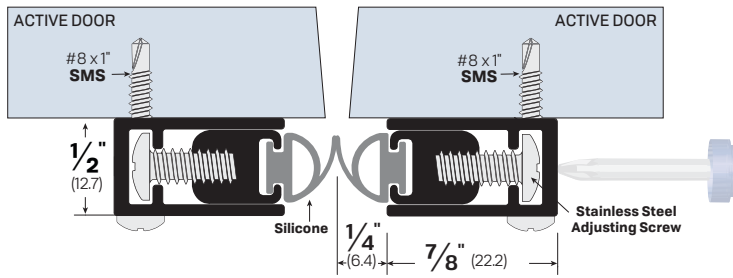
**OPTIONS:**

**LIG** - Ligature Resistant

**PSA** - Security Fasteners

LEGACY	NGP	PEMKO	ZERO
<b>7583</b>	-	-	-

**#7078**



**FINISHES:** CA, BK, WP

**OPTIONS:**

FL - Fire Label

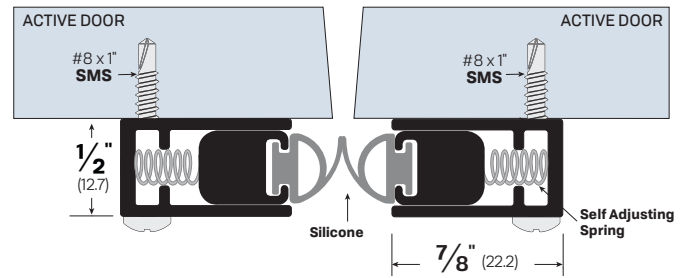
LIG - Ligature Resistant

S-WH - White Silicone

LEGACY	NGP	PEMKO	ZERO
<b>7078</b>	140N	379AR	870AA

**#7078**

**#7075**



**FINISHES:** CA, BK, WP

**OPTIONS:**

FL - Fire Label

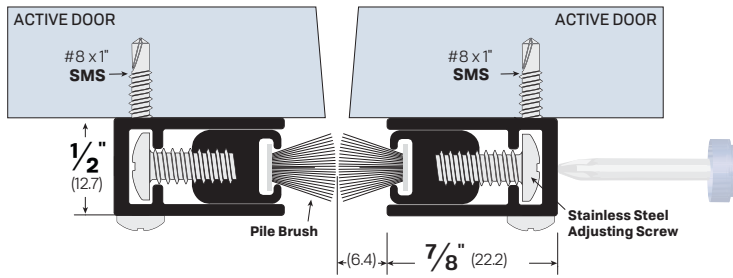
LIG - Ligature Resistant

S-WH - White Silicone

LEGACY	NGP	PEMKO	ZERO
<b>7075</b>	141N	379AR	570AA

**#7075**

**#7178**



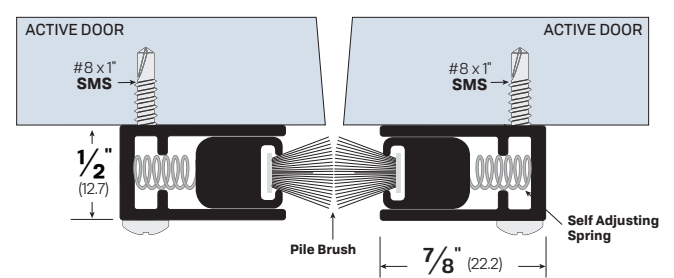
**FINISHES:** CA, BK, WP

**OPTIONS:** SF - Security Fasteners

LEGACY	NGP	PEMKO	ZERO
<b>7178</b>	140P	-	871AA

**#7178**

**#7175**

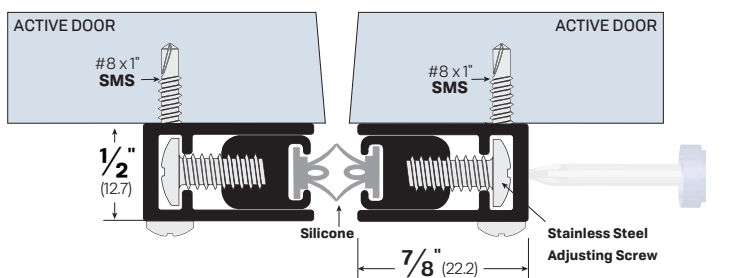


**FINISHES:** CA, BK, WP

LEGACY	NGP	PEMKO	ZERO
<b>7275</b>	-	-	-

**#7175**

**#7378**



**FINISHES:** CA, BK, WP

**OPTIONS:**

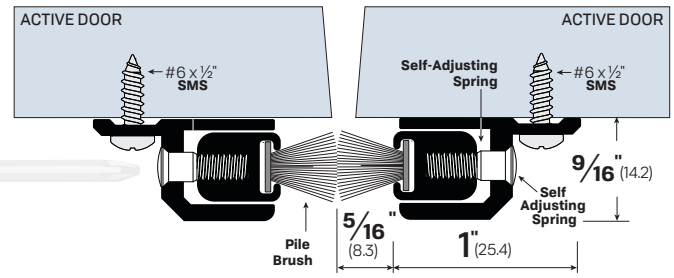
LIG - Ligature Resistant

S-WH - White Silicone

LEGACY	NGP	PEMKO	ZERO
<b>7378</b>	140S	351CS	873AA

**#7378**

**#7552**



**FINISHES:** CA, BK, WP

**OPTIONS:**

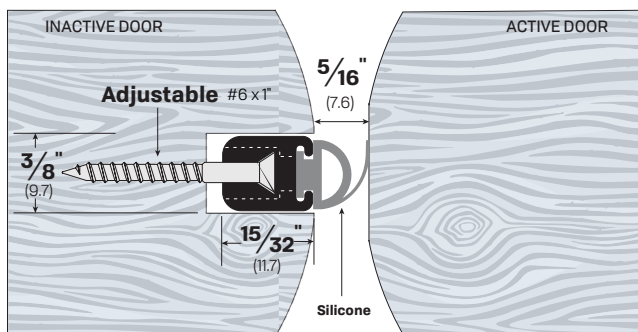
LIG - Ligature Resistant

LEGACY	NGP	PEMKO	ZERO
<b>7552</b>	140P	351CP	255AA

**#7552**

Meeting Stiles  
Astragals

### #763



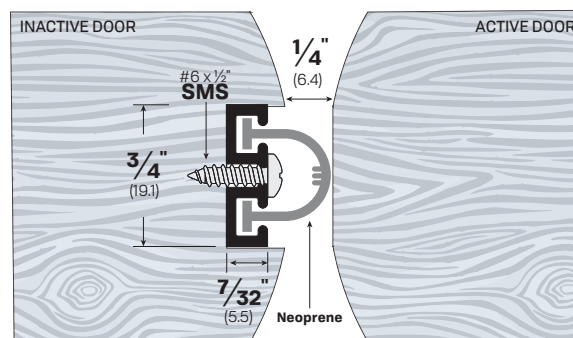
**FINISHES:** CA, DB, MB, WP

**OPTIONS:**

**LIG** - Ligature Resistant    **S-WH** - White Silicone

LEGACY	NGP	PEMKO	ZERO
<b>763</b>	144S	300CP	36AA

### #735

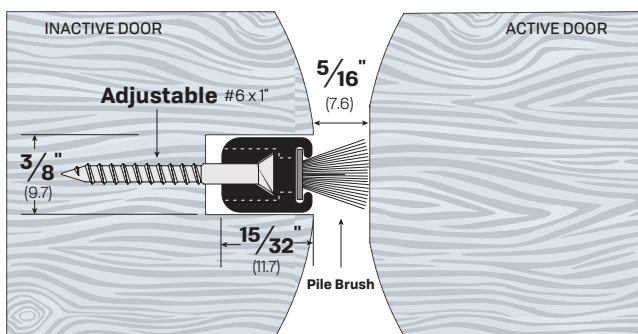


**FINISHES:** MA

**OPTIONS:** **LIG** - Ligature Resistant

LEGACY	NGP	PEMKO	ZERO
<b>735</b>	116N	-	53AA

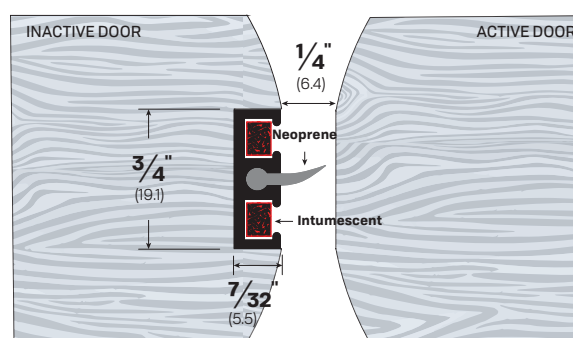
### #743



**FINISHES:** CA, DB, MB, WP

LEGACY	NGP	PEMKO	ZERO
<b>743</b>	143P	-	34AA

### #795-FX

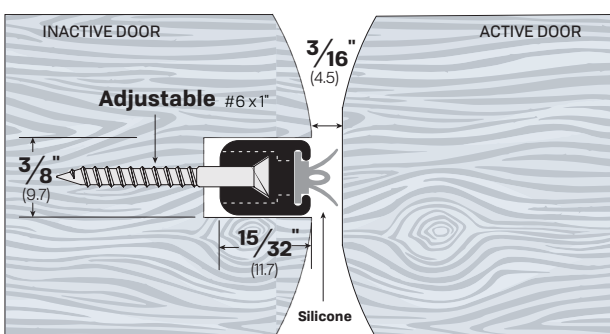


**FINISHES:** CA, DB, MB, WP

**OPTIONS:** **FX** - Intumescent

LEGACY	NGP	PEMKO	ZERO
<b>795-FX</b>	-	-	59FS

### #733



**FINISHES:** CA, BK

**OPTIONS:**

**LIG** - Ligature Resistant    **S-WH** - White Silicone

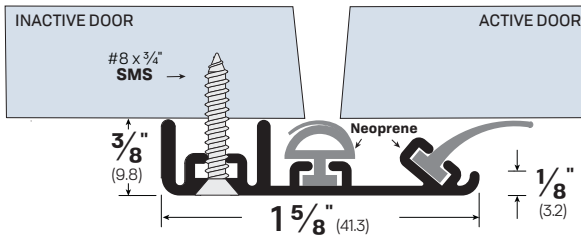
LEGACY	NGP	PEMKO	ZERO
<b>733</b>	2S	-	33AA



#733CA

Meeting Stiles  
 Astragals

### #7383



**FINISHES:** CA, DB, MB, WP

**OPTIONS:**

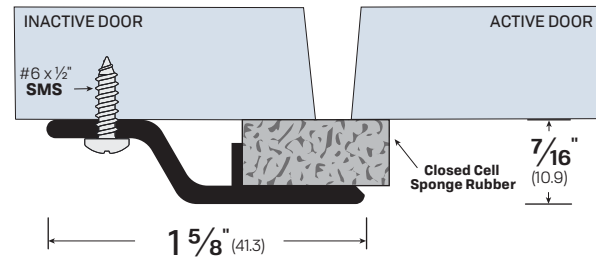
**LIG** - Ligature Resistant    **SLC** - Strike Lip Cut

**NOTES:**

- Replacement neoprene lip - Part #4383N
- Replacement neoprene bulb - Part #4674N

LEGACY	NGP	PEMKO	ZERO
<b>7383</b>	158N	355	383AA

### #7041



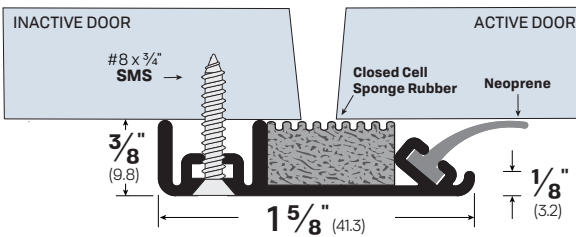
**FINISHES:** CA, BK

**NOTES:**

- Replacement closed cell sponge neoprene - Part #4813SPR

LEGACY	NGP	PEMKO	ZERO
<b>7041</b>	122N	375CR	140A

### #7483



**FINISHES:** CA, BK, WP

**OPTIONS:**

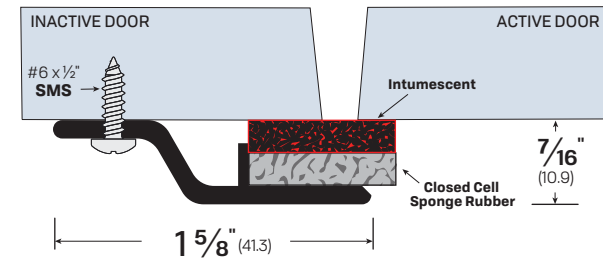
**LIG** - Ligature Resistant    **SLC** - Strike Lip Cut

**NOTES:**

- Replacement sponge neoprene - Part #4483SPR
- Replacement neoprene - Part #4383N

LEGACY	NGP	PEMKO	ZERO
<b>7483</b>	-	-	-

### #7041-FX



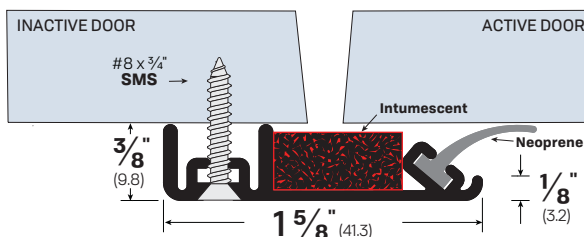
**FINISHES:** CA, BK

**NOTES:**

- Intumescent material for Fire/Acoustical applications

LEGACY	NGP	PEMKO	ZERO
<b>7041-FX</b>	-	-	140FS

### #7483-FX



**FINISHES:** CA, BK, WP

**OPTIONS:**

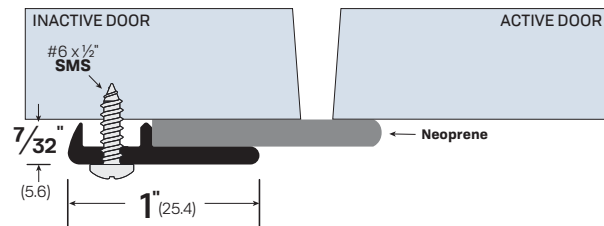
**FX** - Intumescent    **SLC** - Strike Lip Cut

**NOTES:**

- Intumescent material for Fire/Acoustical applications
- Replacement neoprene - Part #4383N

LEGACY	NGP	PEMKO	ZERO
<b>7483-FX</b>	-	-	383FS

### #7933



**FINISHES:** CA, BK, WP, BR

**OPTIONS:**

**FL** - Fire Label

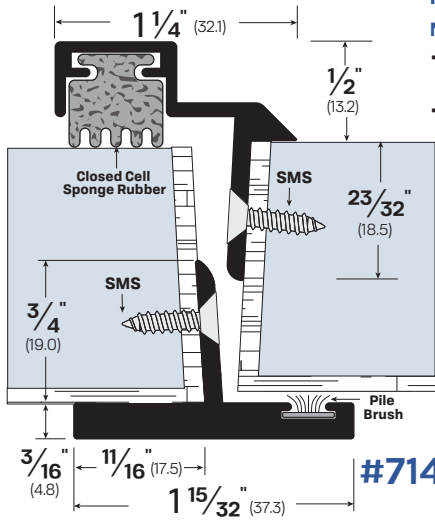
**NOTES:**

- Replacement neoprene - Part #493N

LEGACY	NGP	PEMKO	ZERO
<b>7933</b>	198N	3151CN	339AA



**#70481**



**FINISHES:** CA, MB, WP

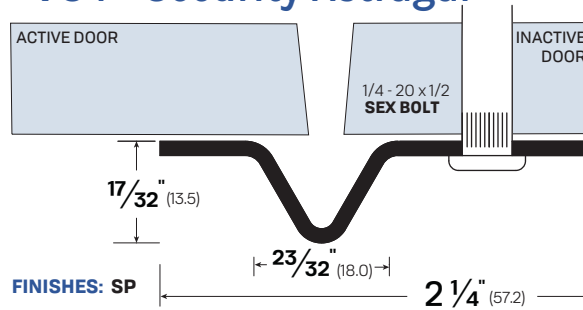
**NOTES:**

- Replacement closed cell sponge neoprene - Part #5248SPR
- Replacement Pile Brush - Part #413PB



#70481CA

**#734 - Security Astragal**



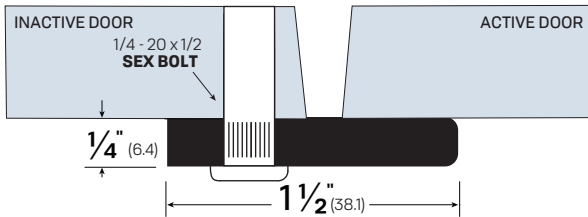
**FINISHES:** SP

**OPTIONS:**

FL - Fire Label SF - Security Fasteners

LEGACY	NGP	PEMKO	ZERO
<b>734</b>	1390SP	3572	43SP

**#744**



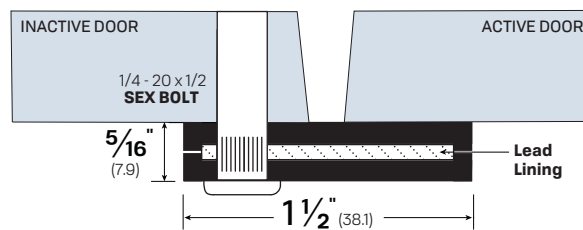
**FINISHES:** MA, MB

**NOTES:**

- Other widths are available - Specify width

LEGACY	NGP	PEMKO	ZERO
<b>744</b>	-	-	905A

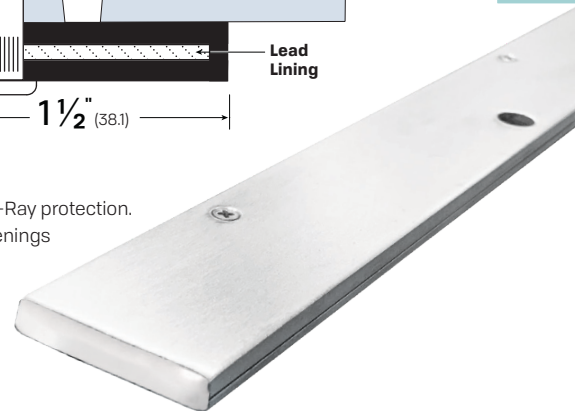
**#744-LL**



**FINISHES:** MA

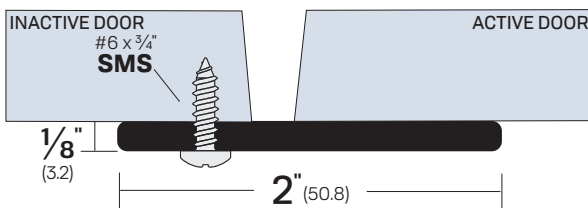
**NOTES:**

- Lead Lined Material for X-Ray protection.
- For use on lead lined openings
- .032 lead thickness



#744-LL

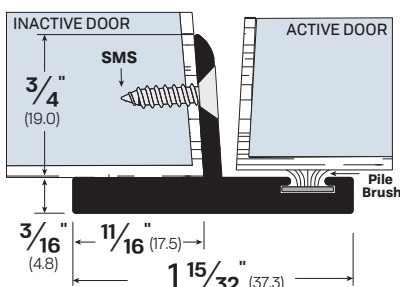
**#774**



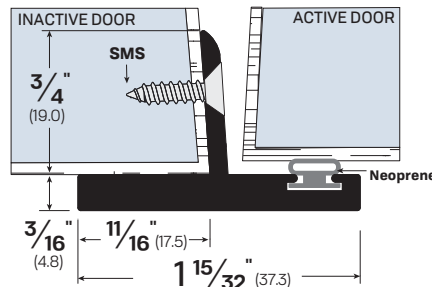
**FINISHES:** CA, DB

LEGACY	NGP	PEMKO	ZERO
<b>774</b>	139A	357	47AA

**#714**



**#715**



LEGACY	NGP	PEMKO	ZERO
<b>715</b>	158	355CS	-
<b>714</b>	158P	355CP	41AA

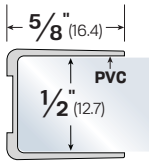
**FINISHES:** CA, MB, WP

**NOTES:**

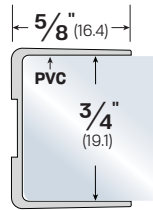
- Replacement Pile Brush - Part #413PB
- Replacement Pile Brush - Part #413PB

## Glass Door Gasketing

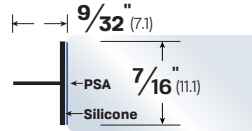
**#7531**



**#7631**

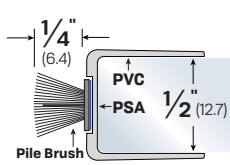


**#7177S**



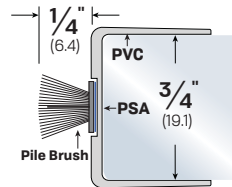
**COLORS: BK, CL**

**#7731**



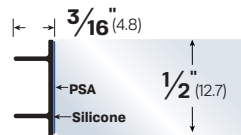
**PILE COLORS: GY, BK**

**#7831**



**PILE COLORS: GY, BK**

**#7277S**

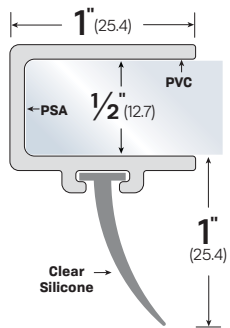


**COLORS: BK, CL**

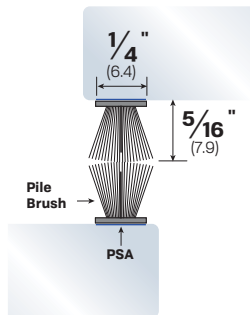


Glass Door with #77128S applied.

**#77319**

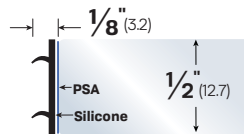


**#423PB**



**PILE COLORS: GY, BK**

**#77128S**

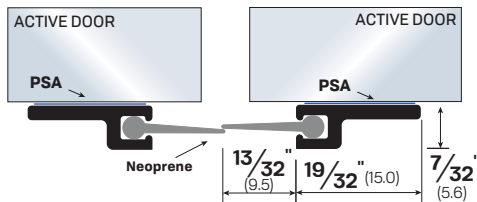


**COLORS: BK, WH**



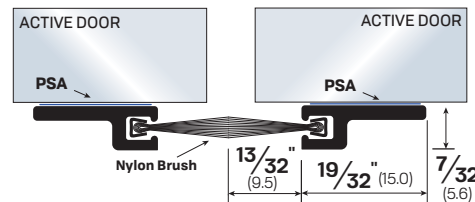
#423PB-GY

**#74918-PSA**



**FINISHES: CA, BK, WP**

**#73918-PSA**

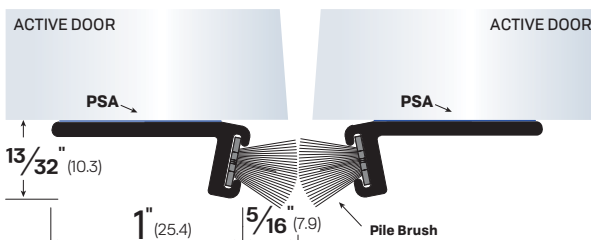


**FINISHES: CA, BK, WP**



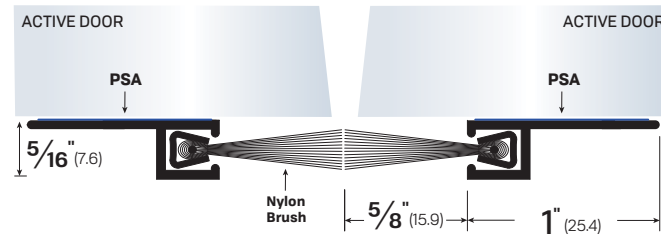
PAIR OF  
#74918-PSA

**#789-PSA**



**FINISHES: MA, BK, WP**

**#72918-PSA**



**FINISHES: CA, BK, WP**

Meeting Stiles  
Astragals

# How To Order: Hinges

Example #1019CA-HD-84

Easy Ways To Order

**Email**  
 Orders@LegacyLLC.com

**Phone**  
 Local: +1 (718) 292-5333  
 Toll Free: +1 (888) 383-3330

**PART NUMBER**   **& FINISH**   -   **OPTIONS**   -   **LENGTH**  
 1019                      CA                      -                      HD                      -                      84

<b>PART #</b>	1019	1559
	1027	10059
	1059	LPT
	1359	



#1019CA

**FINISH**

Finishes vary by product. Please check available finishes listed for each product.

**CA** - Clear Anodized Aluminum  
**DB** - Dark Bronze Anodized Aluminum  
**SS** - Stainless Steel

**OPTIONS**

Options vary by product. Please check available options listed for each product.

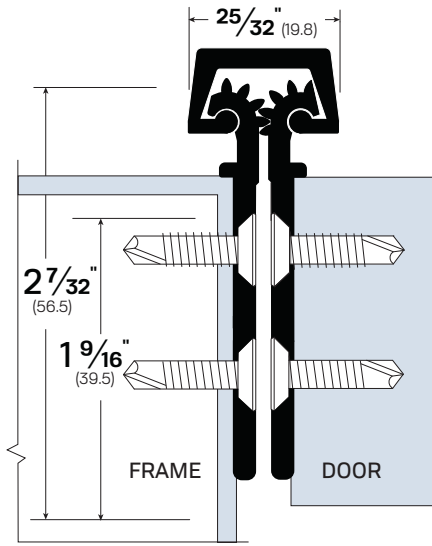
<b>Blank</b> - No Option	<b>HD</b> - Heavy Duty	<b>RH</b> - Right-Handed
<b>CE</b> - Concealed Electric	<b>HT</b> - Hospital Tip	<b>SF</b> - Security Fasteners
<b>EPT</b> - Electrical Power Transfer	<b>LH</b> - Left-Handed	<b>ST</b> - School Tip



APPLICATION

**LENGTH**      For #1019: Please specify to nearest 1/16". For all Cam Lift and # 1027, Specify each (EA).

## #1019 FULL MORTISED CONTINUOUS HINGE



Designed for smooth, effortless door swing, our Continuous Door Hinge System integrates two extruded aluminum "geared" segments in a cover channel, with support bearings of long-wearing, self-lubricating Delrin™ which absorb shock and distribute weight evenly. The hinge rotates a full 180 degrees. Well suited for both new and retrofit construction, the tamper-proof continuous hinge performs effectively on doors up to nine feet. Constructed from heavy-gauge aluminum, both models are offered in a choice of two finishes.

**FINISHES:** CA, DB

**OPTIONS:** HD, EPT, CE, HT, ST, SF

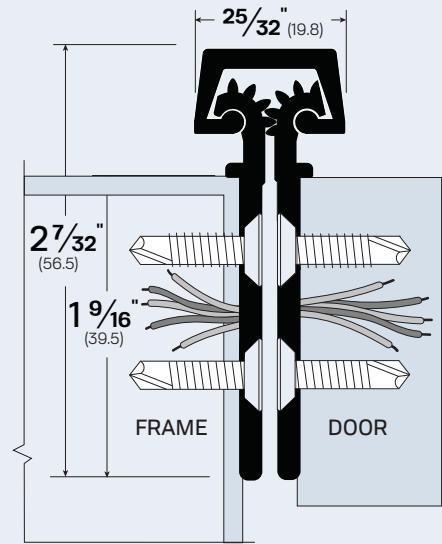
**NOTES:**

- Grey color
- 16 hinges for standard hinge (approx. double for HD option -- see p.94)
- Door/ frame reinforcements are not required in most applications
- 5/16" clearance on square edge door, 3/8" clearance on beveled door



LEGACY	NGP	PEMKO	ZERO
1019	HD1100	FMSLE-HD1	-

## #1027 ELECTRIFIED HINGE



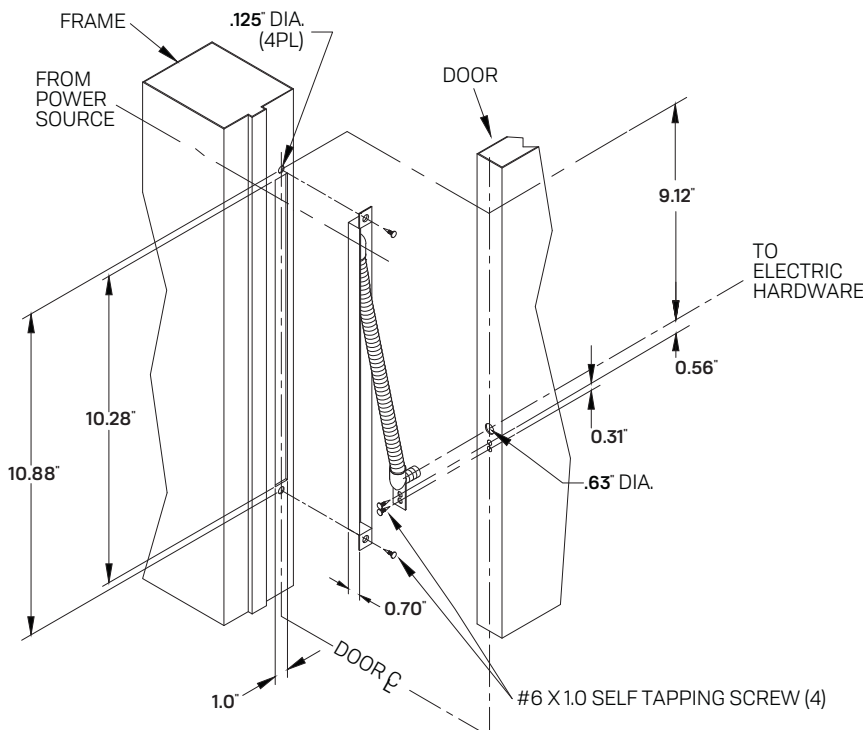
**FINISHES:** CA, DB

**NOTES:**

- Power Transfer Technology
- 26-gauge
- 6 wire standard, 8 wire optional
- Tamper-resistant
- Weather-resistant
- 14" Long

NO  
COMPETITOR  
EQUIVALENTS

## #517LPT LEGACY POWER TRANSFER



**NOTES:**

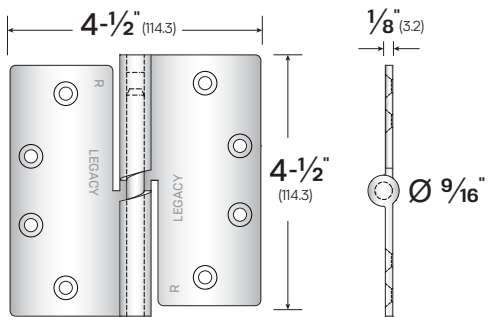
Nickel - Plated Steel Case - Flex Conduit 5/16" OD X 3/8" ID X 15-3/8" LONG  
Electrical wire not provided

NO  
COMPETITOR  
EQUIVALENTS



#517LPT

**#1559** 



**FINISHES:**

**SS** - Stainless Steel

**OPTIONS:**

**RH** - Right-Handed **LH** - Left-Handed

**NOTES:**

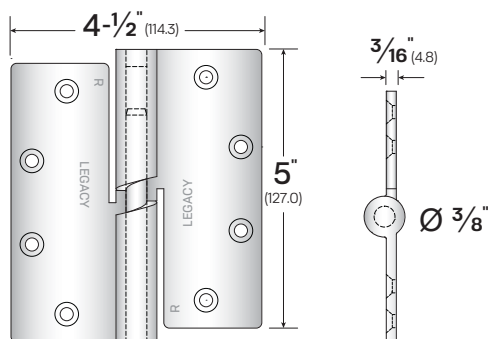
- **Example Order:** #1559SS-RH
- **Door Rating** (1-1/2 pairs): Up to 200 lbs.
- **Screw Size** (Metal Doors): 12-24 x 3/4"
- **Lift** (180° opening): 3/16"
- Includes all machine screws (24), and 1/2 wood screws (12)
- All hinges are ANSI template

LEGACY	NGP	PEMKO	ZERO
<b>1559</b>	-	-	Z955



Designed for sound-rated and other heavy doors up to 900 pounds. Manufactured from high precision stainless steel casting, the cam lift hinge provides a smooth 1/2 inch drop over a rotation of 180 degrees for superior sealing performance. Available for right or left-hand swinging doors. Sold in pairs. Please refer to each individual part for rating details.

**#1359** 



**FINISHES:**

**SS** - Stainless Steel

**OPTIONS:**

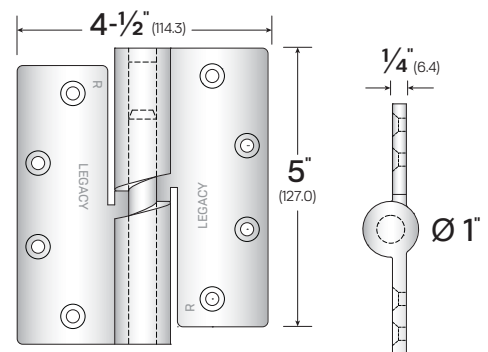
**RH** - Right-Handed **LH** - Left-Handed

**NOTES:**

- **Example Order:** #1359MB-RH
- **Door Rating** (1-1/2 pairs): Up to 300 lbs.
- **Screw Size** (Metal Doors): 12-24 x 3/4"
- **Lift** (180° opening): 1/4"
- Includes all machine screws (24), and 1/2 wood screws (12)
- All hinges are ANSI template

LEGACY	NGP	PEMKO	ZERO
<b>1359</b>	-	-	Z953

**#1059** 



**FINISHES:**

**SS** - Stainless Steel

**OPTIONS:**

**RH** - Right-Handed **LH** - Left-Handed

**NOTES:**

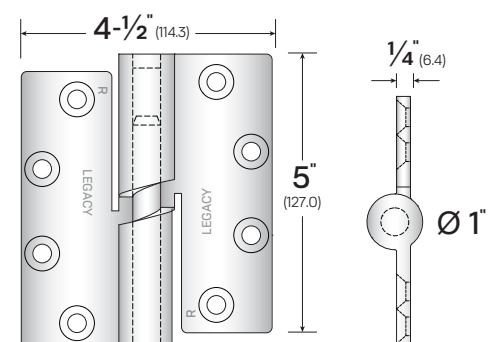
- **Example Order:** #1059SS-LH
- **Door Rating** (1-1/2 pairs): Up to 500 lbs.
- **Screw Size** (Metal Doors): 12-24 x 3/4"
- **Lift** (180° opening): 5/16"
- Includes all machine screws (24), and 1/2 wood screws (12)
- All hinges are ANSI template

LEGACY	NGP	PEMKO	ZERO
<b>1059</b>	-	-	Z950



LEGACY HINGES

**#10059** 



**FINISHES:**

**SS** - Stainless Steel

**OPTIONS:**

**RH** - Right-Handed **LH** - Left-Handed

**NOTES:**

- **Example Order:** #10059SS-LH
- **Door Rating** (1-1/2 pairs): Up to 900 lbs.
- **Screw Size** (Metal Doors): 5/16"-18 x 3/4"
- **Lift** (180° opening): 5/16"
- Includes all machine screws (24), and 1/2 wood screws (12)
- All hinges are ANSI template

LEGACY	NGP	PEMKO	ZERO
<b>10059</b>	-	-	Z9500

# How To Order: **Accurate Weatherstripping**

Example #3CHBR-84

Easy Ways To Order

**Email**  
Orders@LegacyLLC.com

**Phone**  
Local: +1 (718) 292-5333  
Toll Free: +1 (888) 383-3330

**PART NUMBER & FINISH - OPTIONS - LENGTH**  
**3CH BR - PSA - 84**

PART #	1	2	2C	3	3C	3CH	4C	4CH	5CH	6	7	7S	7Z
	8	8C	21	B180	S180	B181	S181	B182	S182	B183	B184	416C	732

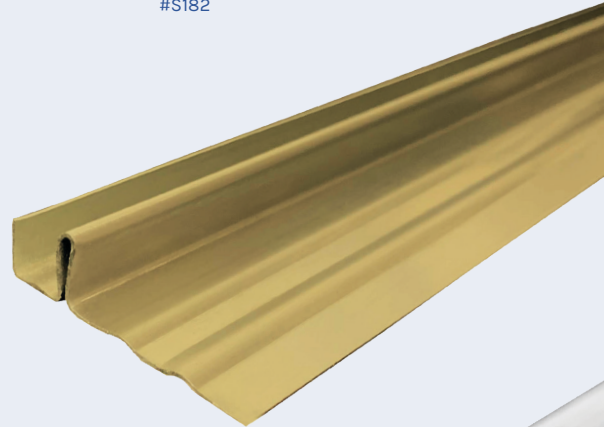
**MATERIAL**  
Finishes vary by product. Please check available finishes listed for each product.  
**BR** - Bronze  
**SS** - Stainless Steel  
**ZN** - Zinc

**OPTIONS**  
Options vary by product. Please check available options listed for each product.  
**Blank** - Standard Fasteners supplied  
**PSA** - Pressure Sensitive Adhesive

**LENGTH**  
Please specify to nearest 1/2"



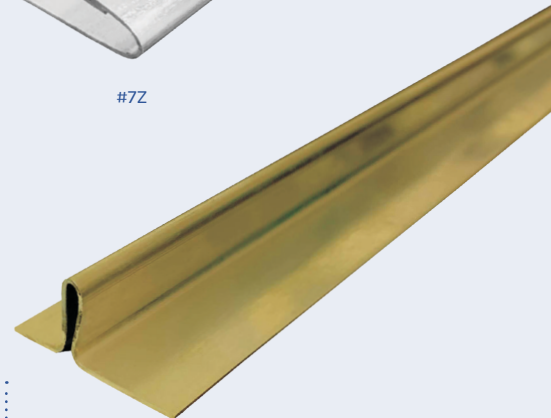
#S182



#3CHBR



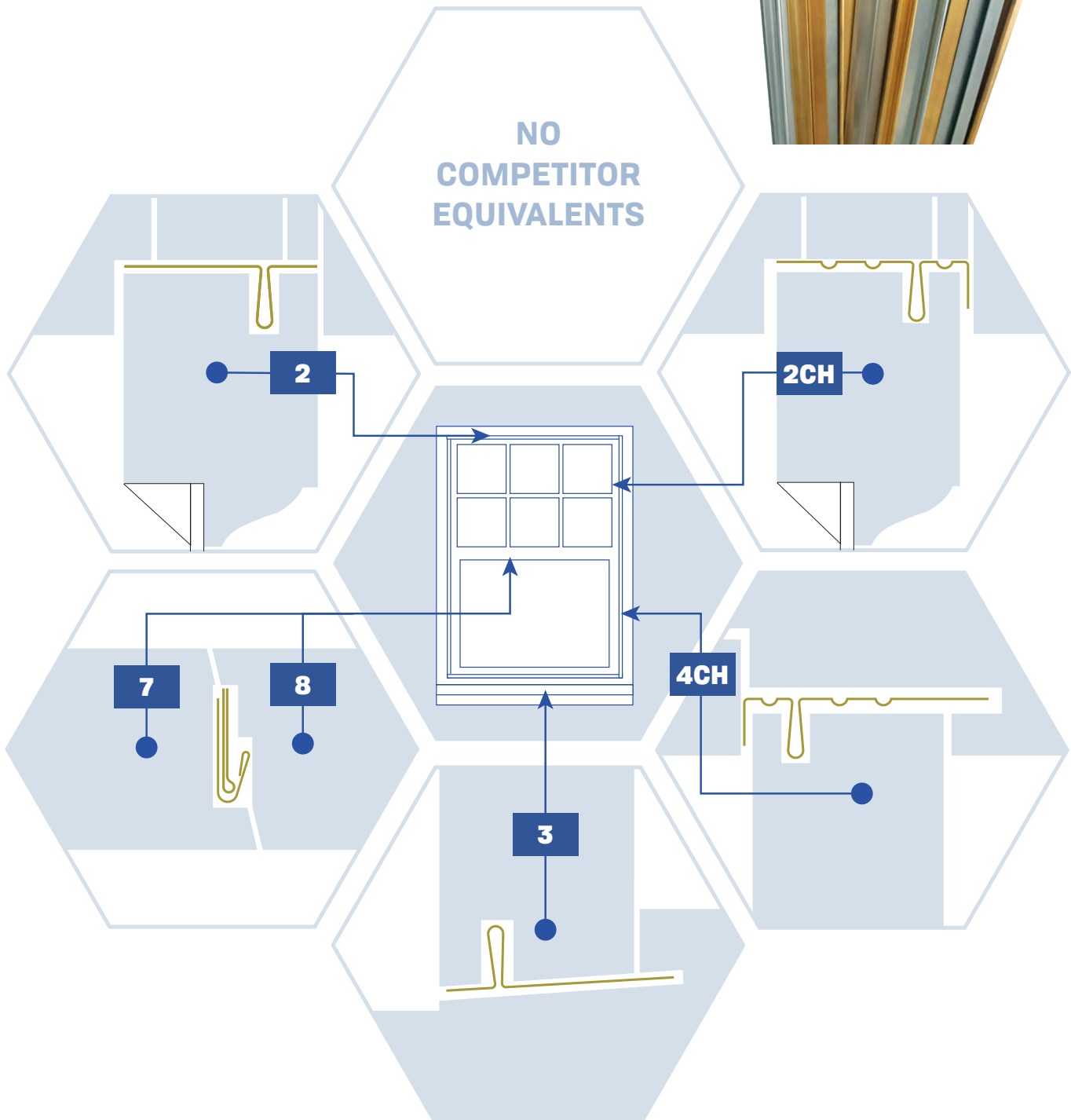
#7Z

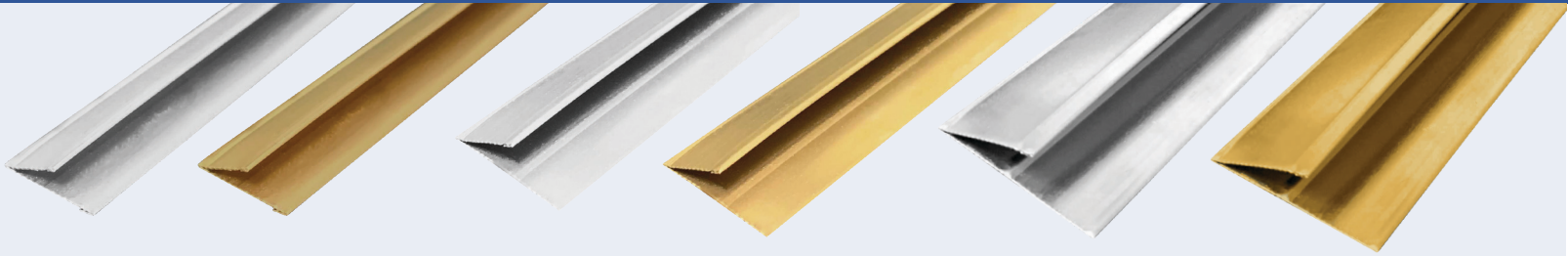


#1BR

## Interlocking Metal Weatherstrips

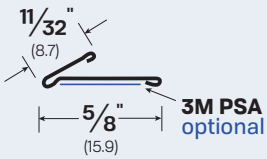
Location	1- 3/8"	1-3/4"	Thickness	Attachment
Head	#2	#3	.018	Nails
Sill	#3	#6	.018	Nails
Meeting Rail	#7	#7	.020	Nails
	#8	#8	.018	
Upper Sides	#2CH	#3CH	.018	Nails
<b>Lower Sides</b>	#4CH	5CH	.018	Nails


 Specialty  
 Hinges



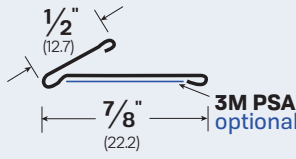
**Hinge Door Springs**

**#B180 | #S180**



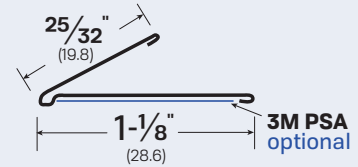
Hinge Door Spring  
**MATERIALS:** BR, SS  
**OPTIONS:** PSA

**#B181 | #S181**



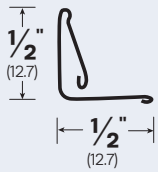
Hinge Door Spring  
**MATERIALS:** BR, SS  
**OPTIONS:** PSA

**#B182 | #S182**



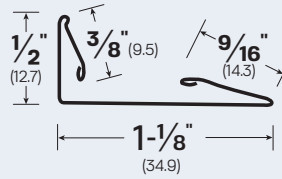
Hinge Door Spring  
**MATERIALS:** BR, SS  
**OPTIONS:** PSA

**#B183**



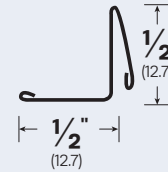
Hinge Door Spring  
**MATERIALS:** BR

**#B184**



Hinge Door Spring  
**MATERIALS:** BR

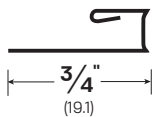
**#B118L**



Hinge Door Spring  
**MATERIALS:** BR

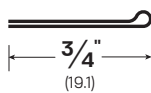
Specialty  
 Hinges

**#7S**



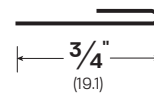
Meeting Rail Hook  
**MATERIALS:** ZN

**#8**



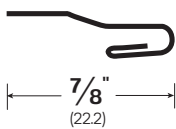
Meeting Rail Flat  
**MATERIALS:** BR, ZN

**#8C**



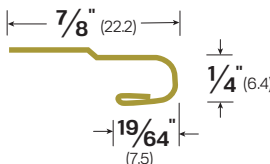
Meeting Rail Flat  
**MATERIALS:** BR, ZN

**#21**



Interlocking Threshold Hook  
**OPTIONS:** ZN

**#732BR**



Interlocking Threshold Hook  
**OPTIONS:** BR

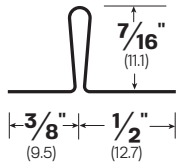
**#416C**



Copper Plated Flat Head Nails  
 7/8" #16  
**MATERIALS:** BR, ZN, CU

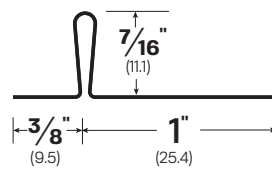


**#1**



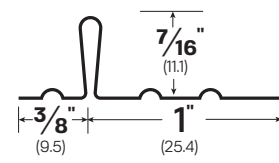
Plain Rib Strip 1" Base  
**MATERIALS: BR, ZN**

**#2**



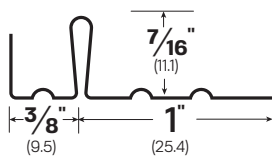
Plain Rib Strip 1-3/8" Base  
**MATERIALS: ZN**

**#2C**



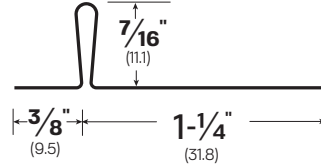
Side Strip 1-3/8" Base  
**MATERIALS: BR**

**#2CH**



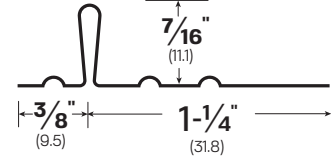
Side Strip 1-3/8" Base  
**MATERIALS: BR, ZN**

**#3**



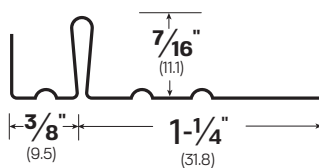
Plain Rib Strip 1-5/8" Base  
**MATERIALS: ZN**

**#3C**



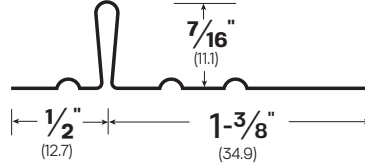
Plain Rib Strip 1-5/8" Base  
**MATERIALS: BR, ZN**

**#3CH**



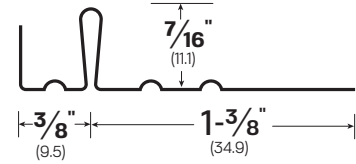
Side Strip 1-5/8" Base  
**MATERIALS: BR**

**#4C**



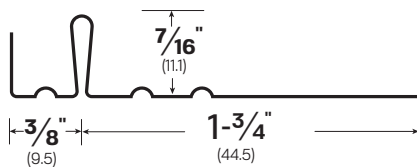
Plain Rib Strip 1-7/8" Base  
**MATERIALS: BR**

**#4CH**



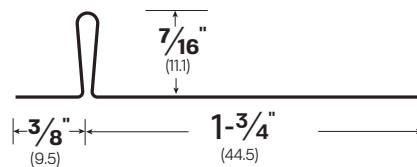
Plain Rib Strip 1-3/4" Base  
**MATERIALS: BR, ZN**

**#5CH**



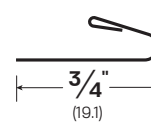
Side Strip 2-1/8" Base  
**MATERIALS: BR, ZN**

**#6**

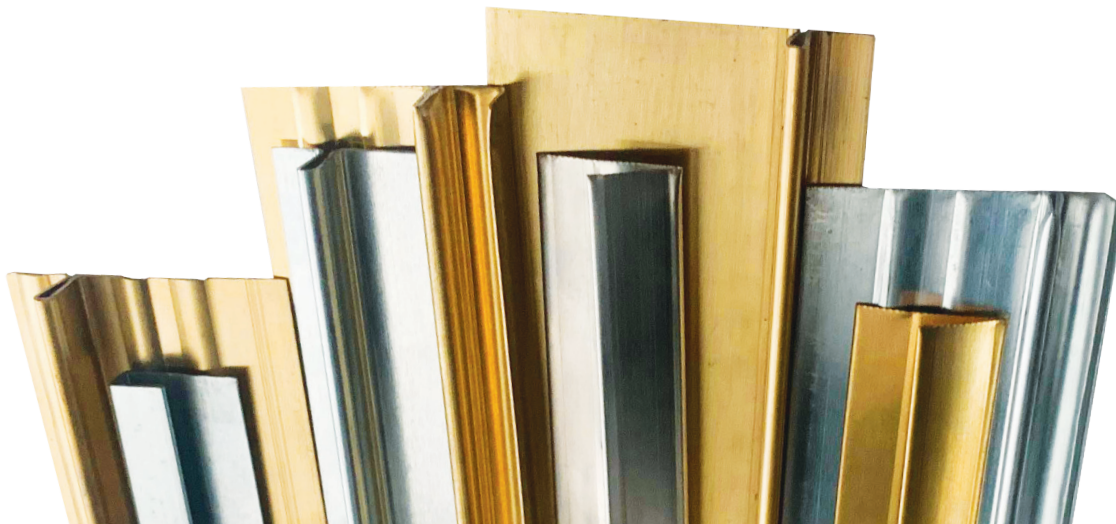


Plain Rib Strip 2-1/8" Base  
**MATERIALS: BR, ZN**

**#7**



Meeting Rail Hook  
**MATERIALS: BR, ZN**



# Flood Barriers

... protect openings and help safeguard building contents from floodwaters

Building on years of experience providing vital flood zone protection for doorways, Legacy now offers reliable, cost-effective flood barrier systems for virtually every building opening exposed to potential high-water flooding. Installing Legacy flood barriers can help satisfy National Flood Insurance Program (NFIP) requirements for coverage in designated flood zones, along with providing invaluable peace of mind to building owners hoping to minimize flood damages.

Legacy flood barrier panels are engineered for easy installation into pre-mounted aluminum brackets attached to frames or adjacent walls. When high water threatens, simply drop the barrier panel into the mounting channels and hand tighten the screw. Panels can be removed just as easily for storage when not in use. Closed cell sponge neoprene lines the bottom and sides of openings to ensure a watertight seal, as well as compensate for any gaps at door thresholds. These seals feature an innovative "three-finger" rubber profile for improved compression and better seals compared with conventional U-channel design.

Constructed from marine-grade aluminum, the removable flood barrier panels can be built to any specified height and are also stackable using watertight bar clamps. Milled Easy-Lift handles are another recent design enhancement. Interlocking posts, including outer sleeves for ground support, are supplied for specified opening widths greater than 48 inches, which translates to virtually no practical limit on the width of protected openings or spans.

Suitable for both residential and commercial applications, Legacy flood barriers comply with standards of the Federal Emergency Management Agency (FEMA) and Federal Insurance Administration (FIA) for use on doors in flood-prone areas. They are also ideal for houses with adjacent wetlands or in high-rainfall areas.



### Specify Legacy Flood Barriers for:

- Entranceways and garage doors
- Sub-level and standard windows
- Exterior louvers or fireplaces
- Power-supply enclosures

LEGACY	5127	5027	5128	5129
NGP	FS	FS	-	-
PEMKO	-	-	-	-
ZERO	-	2070A	-	-



### Product Specifications

<b>Panel</b>	5052 marine aluminum alloy
<b>Frames</b>	Channel 6062 alloy T5-T6, with 10-32 stainless steel Allen head tightening screws every 8" on center.
<b>Seal</b>	SPR or N as appropriate
<b>Hardware</b>	#10 x 1-1/2" FHPH with plastic expansion tube anchors. Snap covers for safety provided for the top of the channels and for the mounting holes.
<b>Installation</b>	Can be installed on hollow metal, aluminum or wood frames; and on concrete, brick or metal surfaces.
<b>Floor Surface</b>	We recommend our #319 Threshold ( 1/4" x 2" beveled aluminum plate )



# How To Order: Flood Barriers

Example #5027MA30-60

Easy Ways To Order

**Email**

Orders@LegacyLLC.com

**Phone**

Local: +1 (718) 292-5333

Toll Free: +1 (888) 383-3330

**PART NUMBER & FINISH - HEIGHT - WIDTH**
**5027**
**MA**
**30**
**60**
**PART #**

5021	5060
5027	5127
5028	5128
5029	5129
5040	

**FINISH**

All Flood Shields are 5052 marine aluminum alloy. Finishes are available for mounting brackets only.

**MA** - Mill Aluminum

**HEIGHT**

Flood barrier panels can be built to any custom height, subject only to practical constraints on the ease of fitting into and removing from mounting brackets. Specify to nearest 1". Panels specified for stacking are supplied with connecting aluminum Bar Clamps.

**WIDTH**

 Flood barriers can be built to any custom width or span. Specify to nearest 1/8". Interlocking posts with ground support are required and supplied for every 48" of installed flood barrier.   
 Tableau ± 1/8"

**Ordering Note**

Because of the range of available options and the precision needed for efficient installations, Flood Barriers are typically specified in consultation with our Engineering Department.

Call our engineering department to discuss.

**LEGACY ENGINEERING**

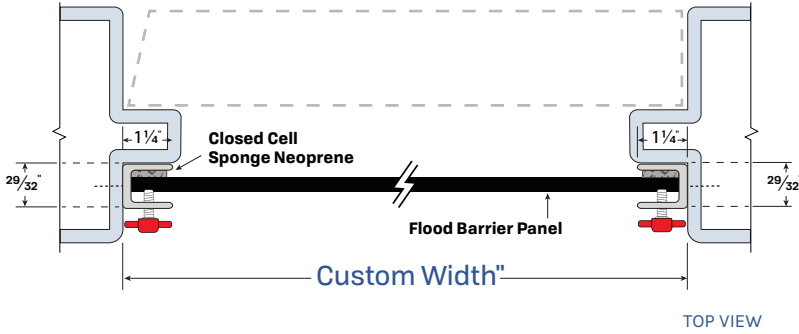
Local: +1 (718) 292-5333

Toll Free: +1 (888) 383-3330



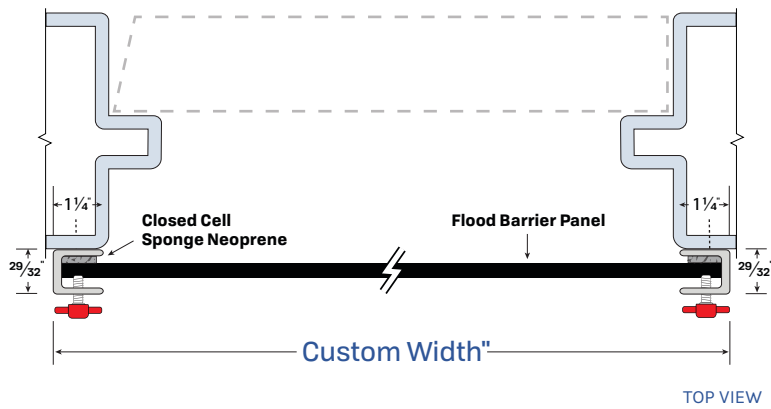
## Single Flood Barrier for Standard Openings (Up to 48")

### #5027 MOUNTED TO INSIDE OF FRAME



#5027MA mounted to the inside of the door frame.

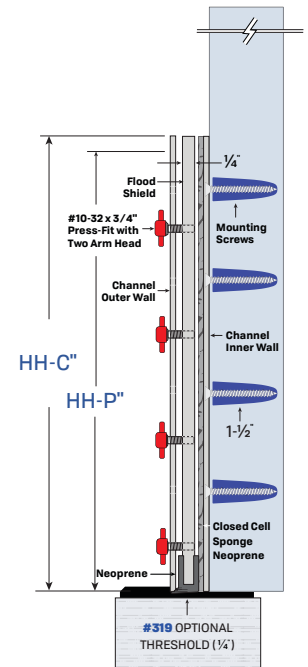
### #5127 MOUNTED TO OUTSIDE OF FRAME



#5127MA mounted to the outside of the door frame.



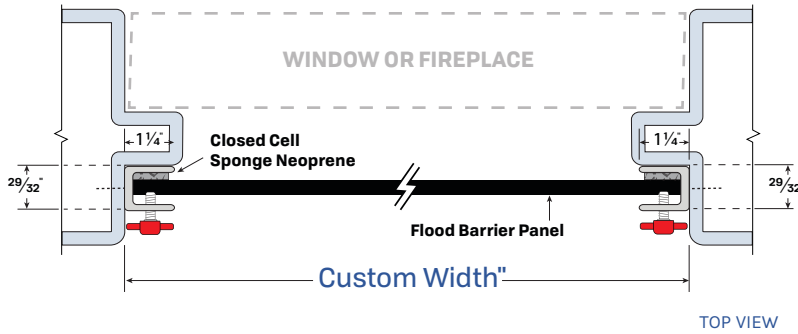
FRONTVIEW



SIDE VIEW

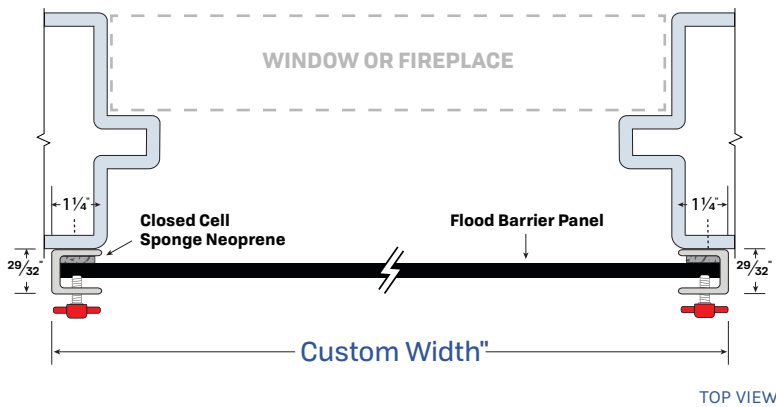
## Single Flood Barrier for Windows, Louvers and Fireplaces (Up to 48")

### #5028 MOUNTED TO INSIDE OF FRAME



#5028MA mounted to a basement window.

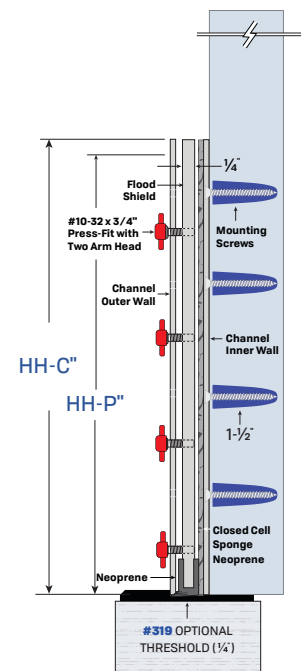
### #5128 MOUNTED TO OUTSIDE OF FRAME



#5125MA mounted to a fireplace.



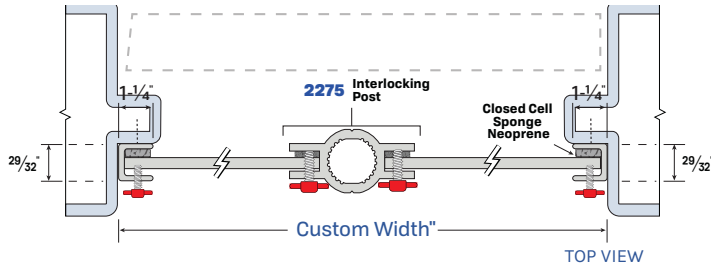
FRONTVIEW



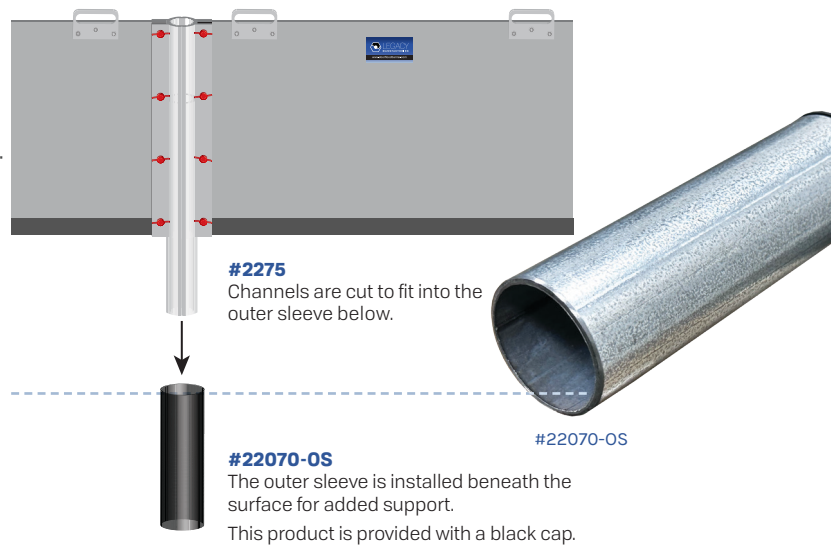
SIDE VIEW

## Interlocking Flood Barrier for Oversized Openings (Greater than 48")

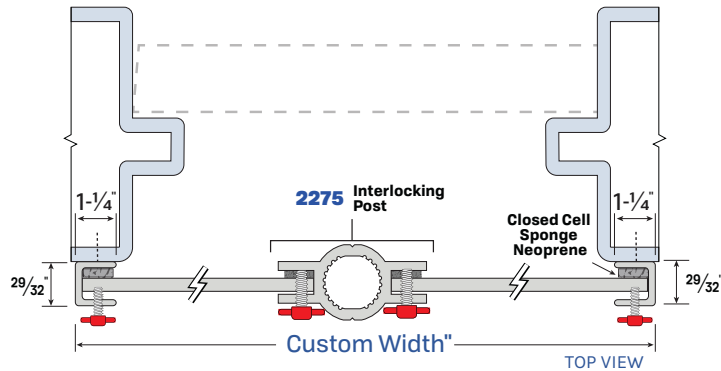
### #5029 MOUNTED TO INSIDE OF FRAME



### #2275 INTERLOCKING POST WITH GROUND SUPPORT



### #5129 MOUNTED TO OUTSIDE OF FRAME



Recommended for every 48" of specified installed width:

- #2275 Interlocking Post with
- #22070-OS Outer Sleeve



#5129MA36X136



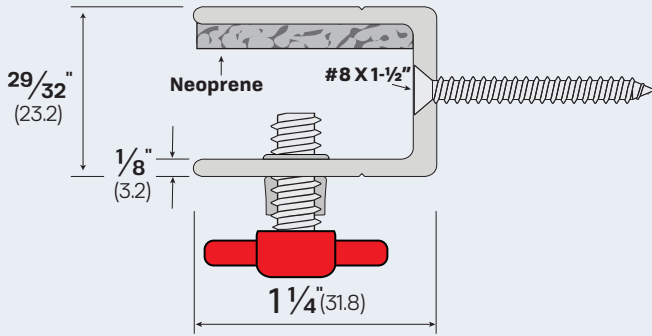
#5129MA mounted to front of hotel entrance.



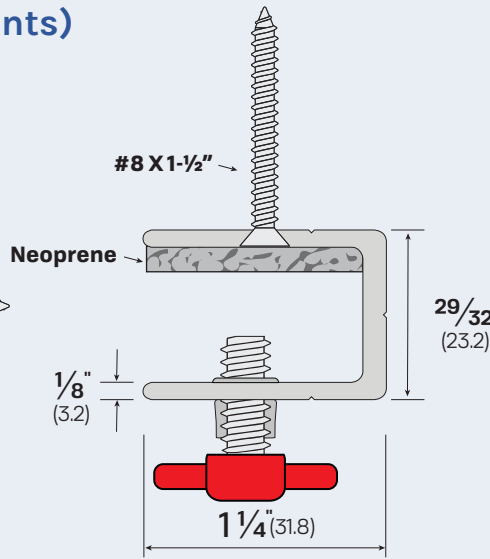
#5029MA mounted to the inside of garage door frame.

## Flood Barrier (Individual Components)

### ALUMINUM CHANNEL



#22070CH-CA-INSIDE  
#22070CH-BK-INSIDE



#22070CH-CA-OUTSIDE  
#22070CH-BK-OUTSIDE



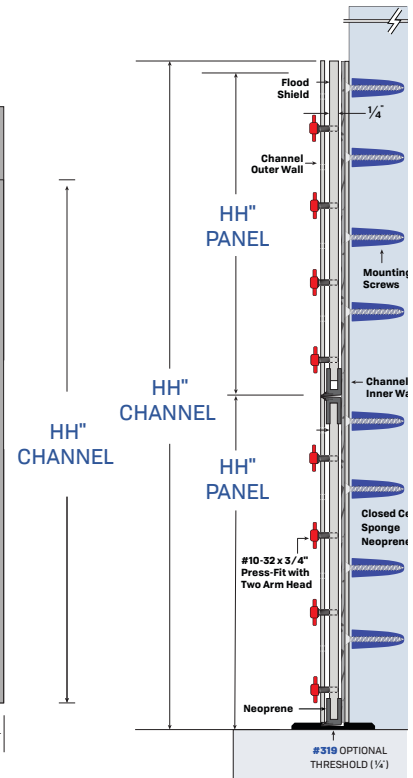
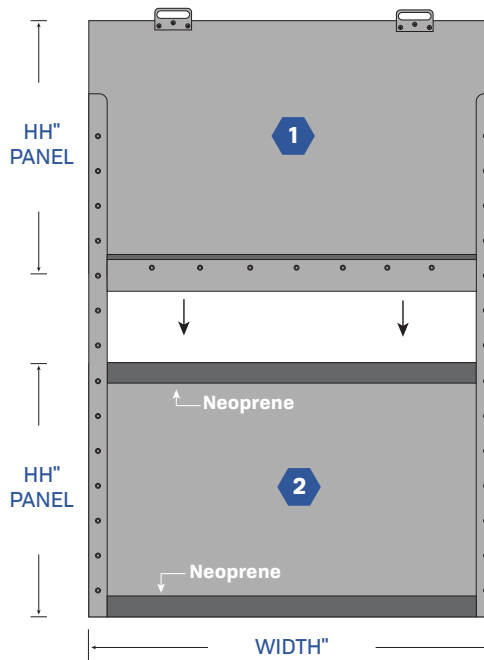
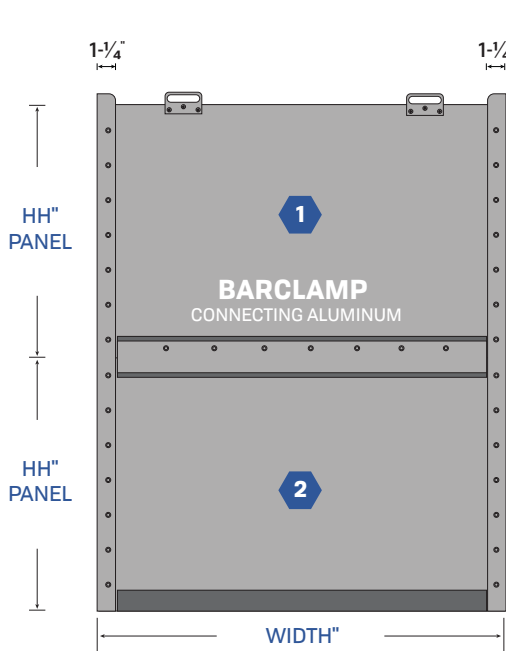
#22070CH-CA



#346

FINISHES: CA, BK

## #5021 STACKABLE FLOOD BARRIER



Flood  
Barriers

• Call us to discuss your best configuration for your specific installation.

FINISHES: MA

## Acoustical Systems



Experience and precision engineering are paramount in designing high-performance acoustical door assemblies, and nobody scores higher than Legacy on both counts. We extend that expertise to sound door manufacturers interested in collaborating to achieve industry-leading results.

Legacy's OEM program assists manufacturers in designing and building acoustical doors to achieve specific STC ratings. There are three distinct, integrated components to the services we provide:

- Advice on design and construction for your STC-rated doors,
- Consultation on integrating best-value sound-control gasketing to optimize costs and performance, and
- Collaborating on testing the assembly in the lab to achieve published STC ratings.

The first step is understanding your goals and the resources we can provide to help.  
**Call our engineering department to discuss.**

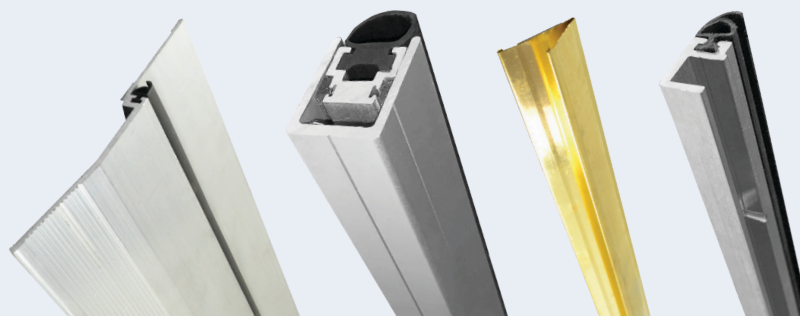
### LEGACY ENGINEERING

Local: +1 (718) 292-5333

Toll Free: +1 (888) 383-3330

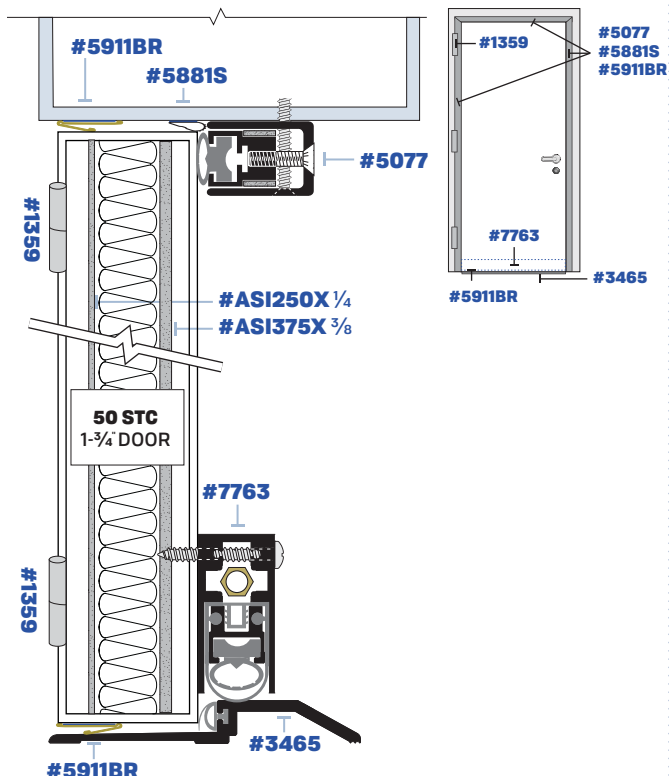
System	Head & Jamb	Door Bottom	Threshold	Door Rating	STC Rating
<b>6049STC</b>	5077, 5911BR, 5881S	7763	3465	50	49
<b>6148STC</b>	5077, B182, 50517S	7763	3665	49	48
<b>6048STC</b>	5077, 5911BR, 5881S, 52408S	7763	3465	50	48
<b>6047STC</b>	5077, B182	7763	3665	49	47
<b>6046STC</b>	5077, 50517S	7763	3665	49	46
<b>6042STC</b>	5077	7763	-	50	42
<b>6142STC</b>	5574	-	3465	50	42
<b>6037STC</b>	5584, 50519S	7553	3465	37	37
<b>6036STC</b>	5584	7553	3465	37	36
<b>6136STC</b>	5584, 5883S	7553, 793	3465	37	36
<b>6236STC</b>	50519S	7153	-	37	36

This representative list shows published STC results for acoustical door assemblies and configurations designed and tested through collaborations between Legacy and OEM partners.



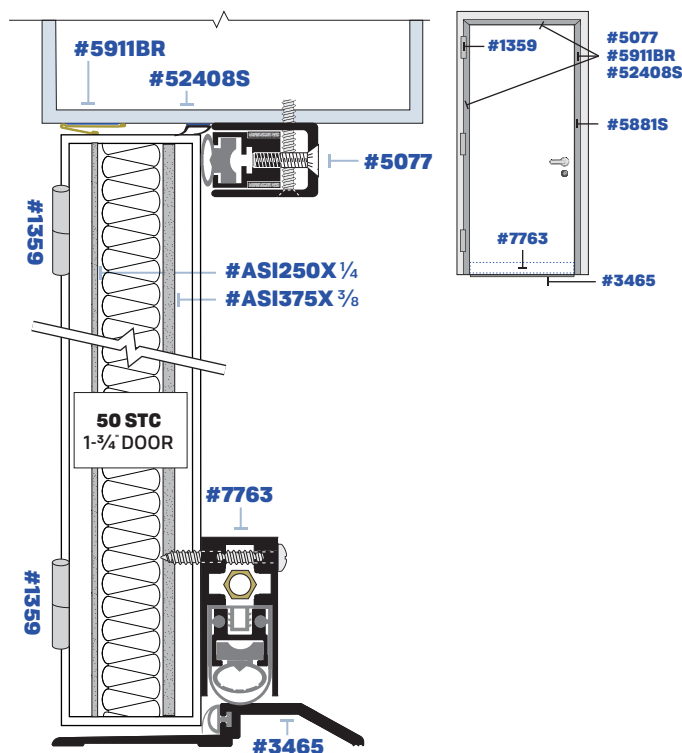
### #6049S

49 STC



### #6048STC

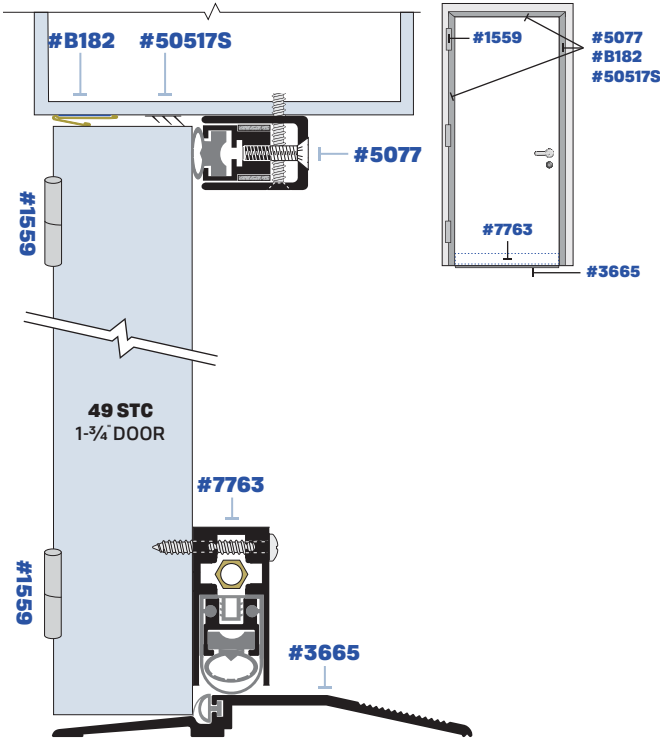
48 STC





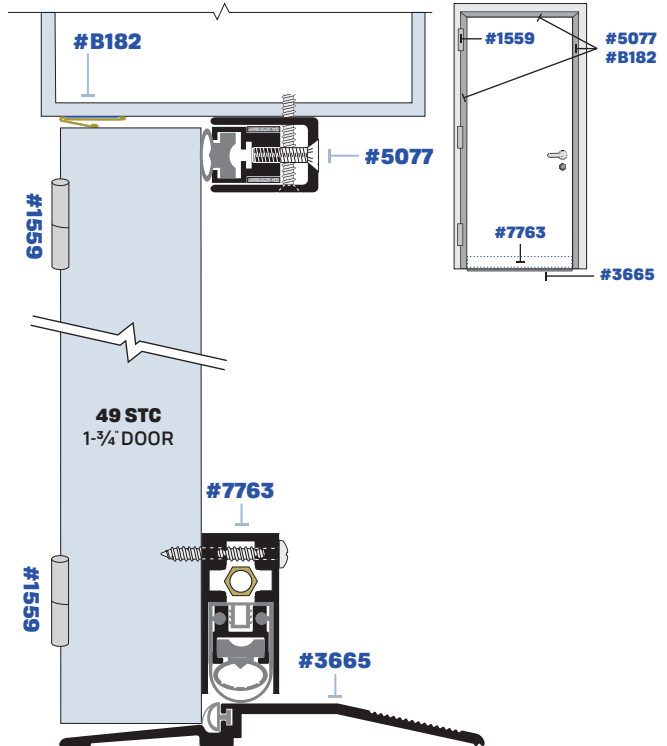
**#6148STC** 

48 STC



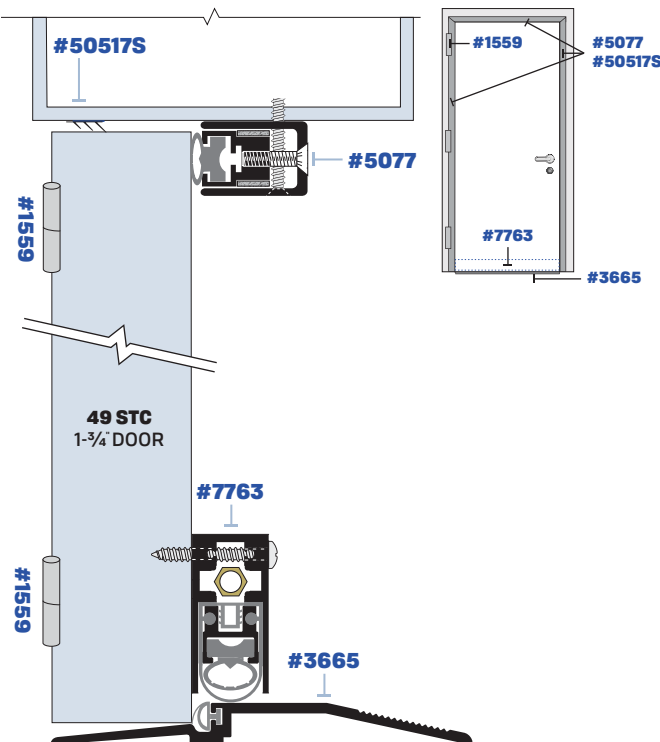
**#6047STC** 

47 STC



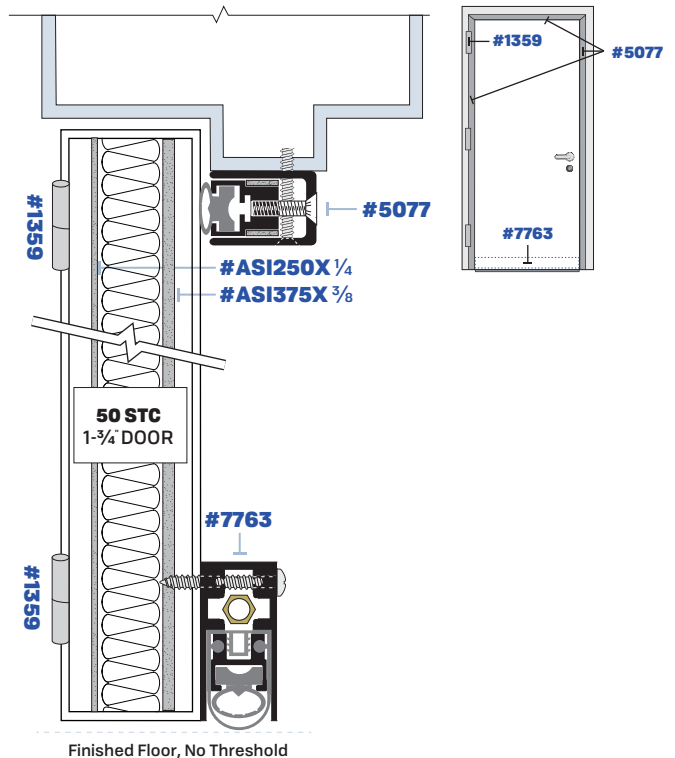
**#6046STC** 

46 STC

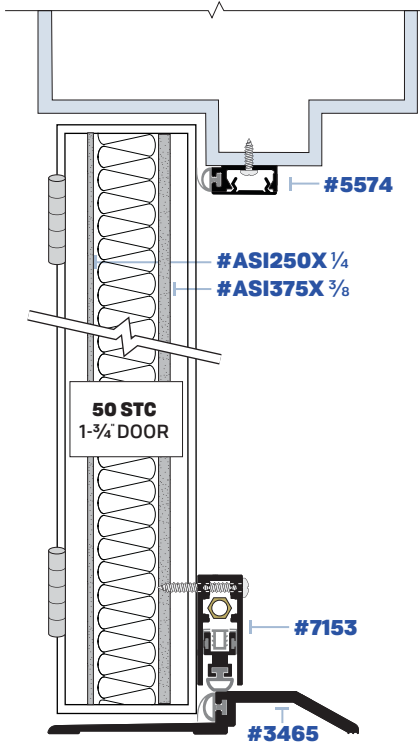


**#6042STC** 

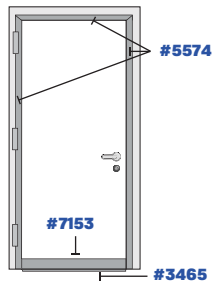
42 STC



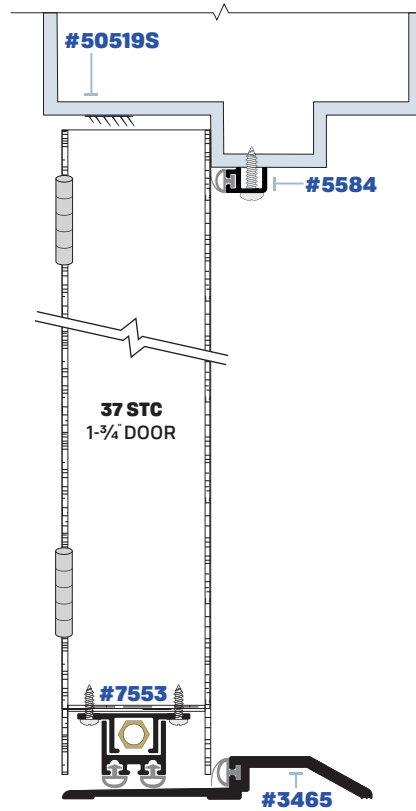
#6142STC



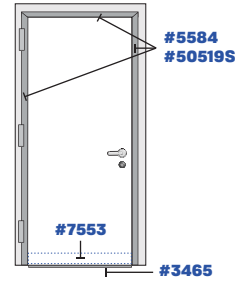
42 STC



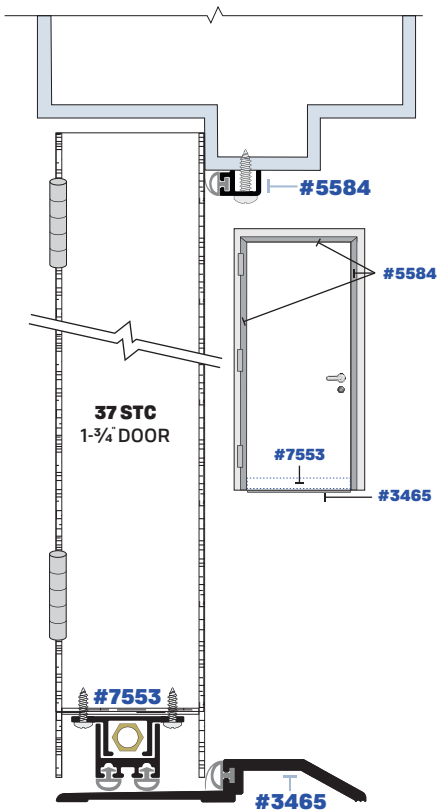
#6037STC



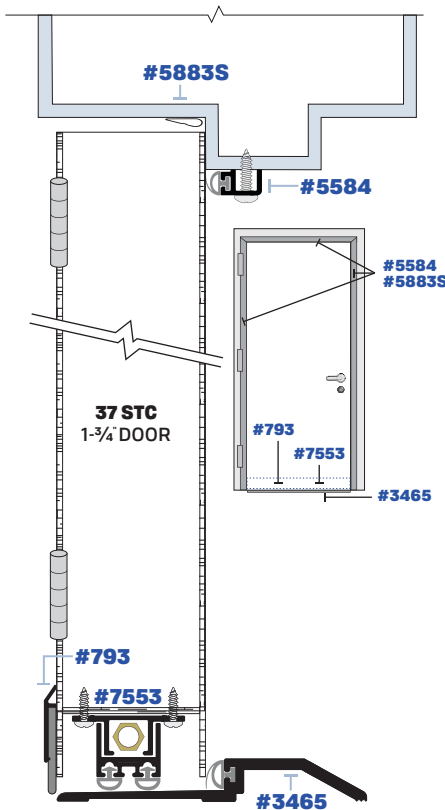
37 STC



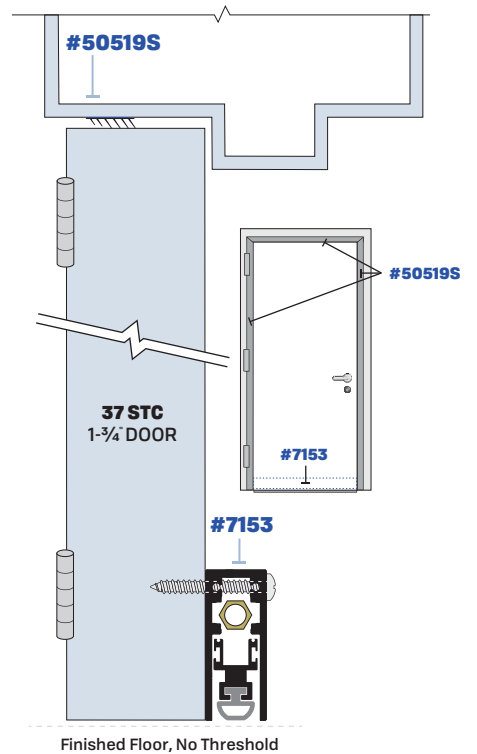
#6036STC 36 STC



#6136STC 36 STC



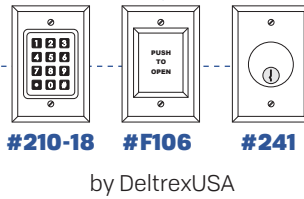
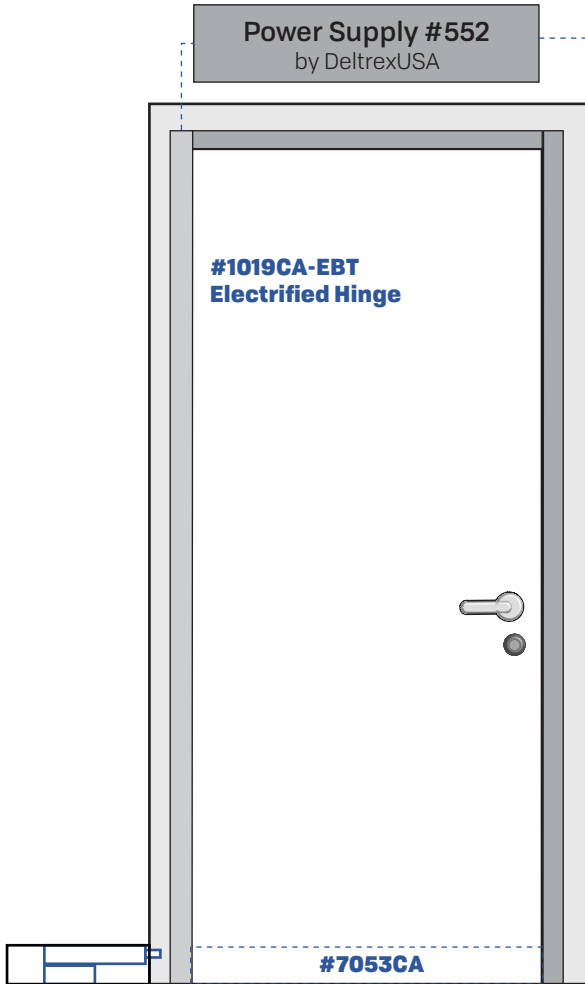
#6236STC 36 STC



Specialty  
Solutions



#64EA AUTOMATIC DOOR BOTTOM ON STAND-BY

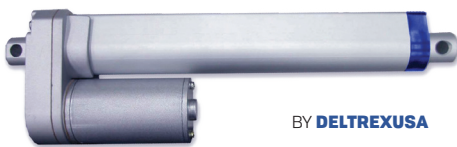


NOTES:

- Power Supply - Part #552
- Door Actuator Plate - Part #F106



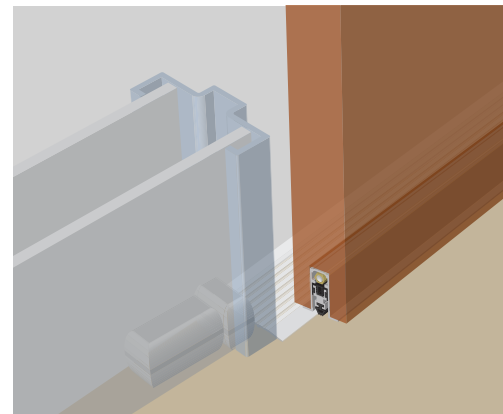
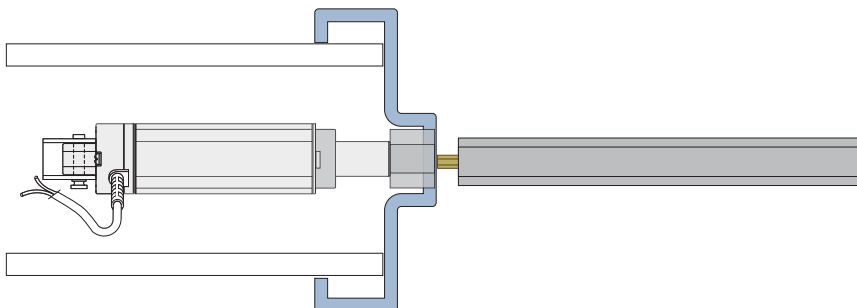
#64 - ADB ON STANDBY



Electrified door bottoms provide a practical solution for doorways to areas that need regular air flow but also require the door to seal during emergencies, such as a fire. Using a switch or push plate provided by Deltrex USA, the door bottom can be activated during such situations to provide a complete, airtight seal.

PIVOT DOOR APPLICATIONS

TOP DOWN VIEW



## Nitrile for Clean Rooms

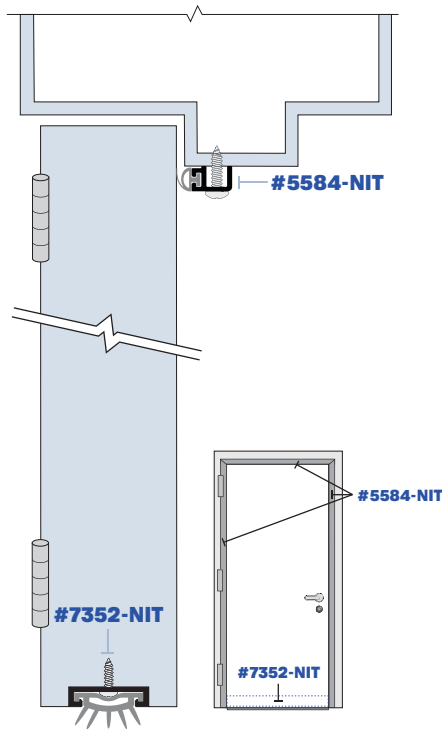
Nitrile rubber is a versatile addition to Legacy's arsenal of formulations for practical sealing solutions. Among its many benefits, nitrile rubber provides good compression set and tensile strength, and is resistant to heat, abrasion and moisture. Its resistance to gas permeability also makes it corrosion-resistant to a long list of chemicals.

Specifying nitrile rubber components can be useful for protecting sealing systems from extreme exposures to corrosive chemicals in medical and industrial applications.

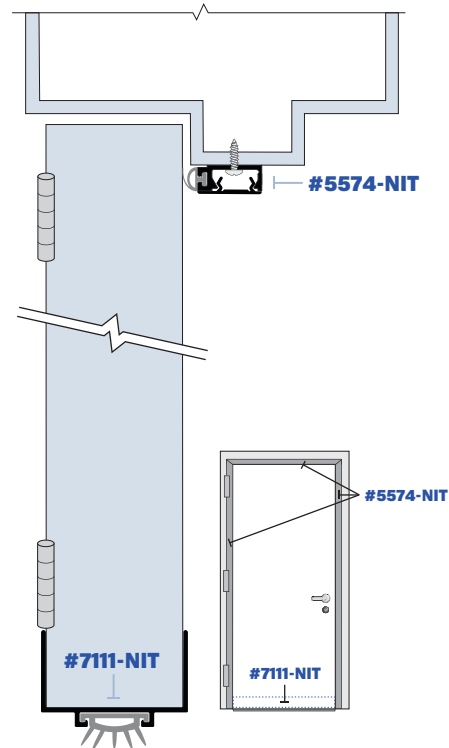
**Specify NIT option to order nitrile rubber for these components.**

<b>#5574-NIT</b>	Head & Jamb
<b>#5584-NIT</b>	Head & Jamb
<b>#7352-NIT</b>	Door Sweep
<b>#7351-NIT</b>	Door Sweep
<b>#7111-NIT</b>	Door Sweep

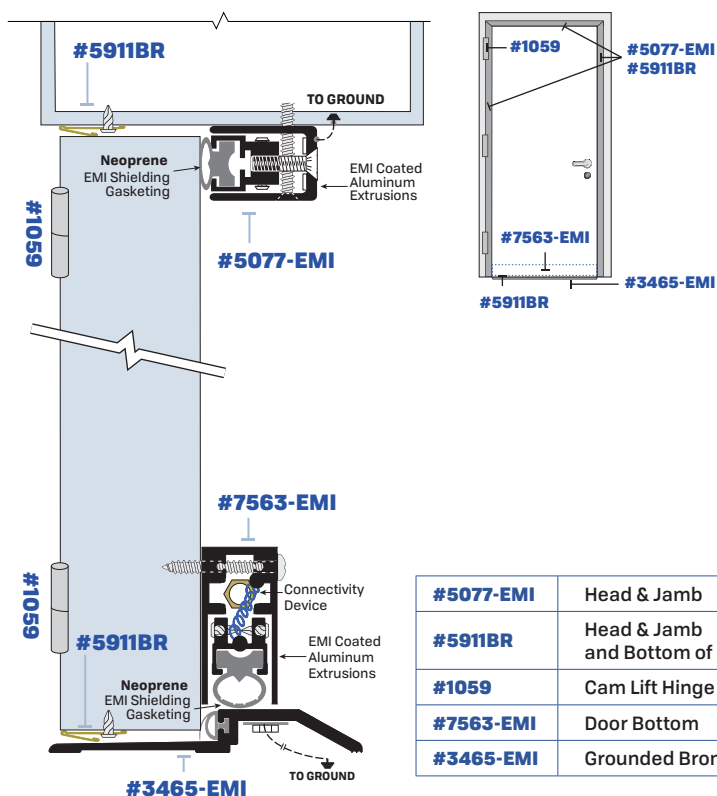
## #6050NIT



## #6051NIT



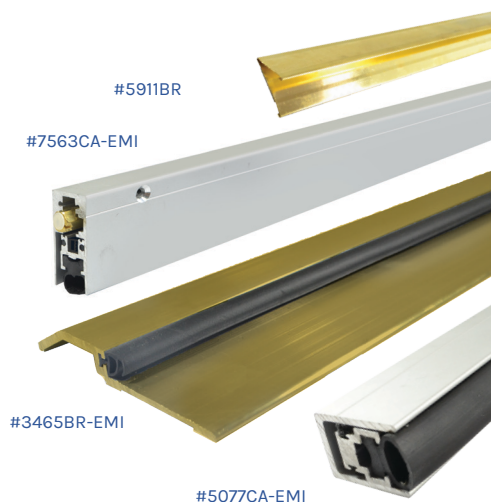
## #6090EMI EMI/RFI SEALING SYSTEMS



<b>#5077-EMI</b>	Head & Jamb
<b>#5911BR</b>	Head & Jamb and Bottom of Door
<b>#1059</b>	Cam Lift Hinge
<b>#7563-EMI</b>	Door Bottom
<b>#3465-EMI</b>	Grounded Bronze Threshold

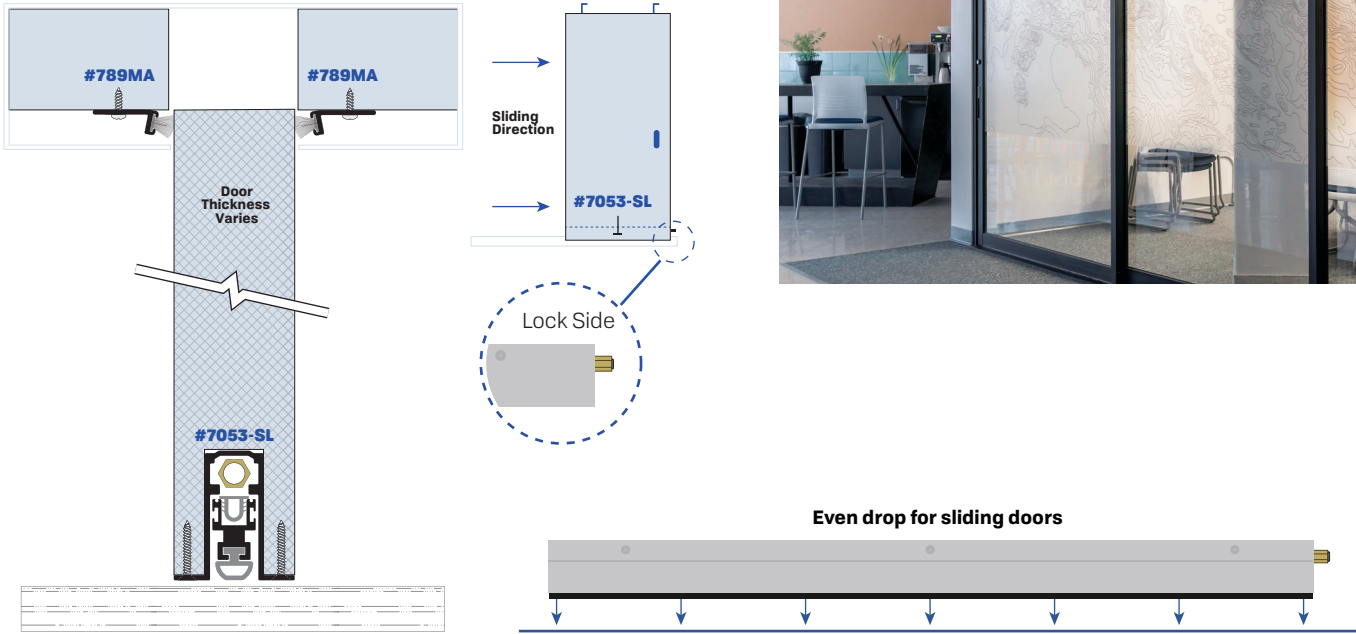
System #6090EMI is one solution available from Legacy for blocking electromagnetic and radio frequency interference in applications such as laboratories, hospitals, brokerage houses, embassies and other facilities using sensitive electronic equipment. We can provide specification assistance for configuring other systems for specific applications. Legacy also offers OEM consultation for developing similar systems.

The technology common to these systems provides uninterrupted electrical current to block EMI/RFI transmission. An iridate coating on the aluminum housings in Legacy EMI/RFI systems ensures maximum conductivity around the door gasketing, while solid carbon-filled neoprene rubber gaskets complete the electrical circuit. The #6090EMI system has adjustable features to help ensure a tight seal.



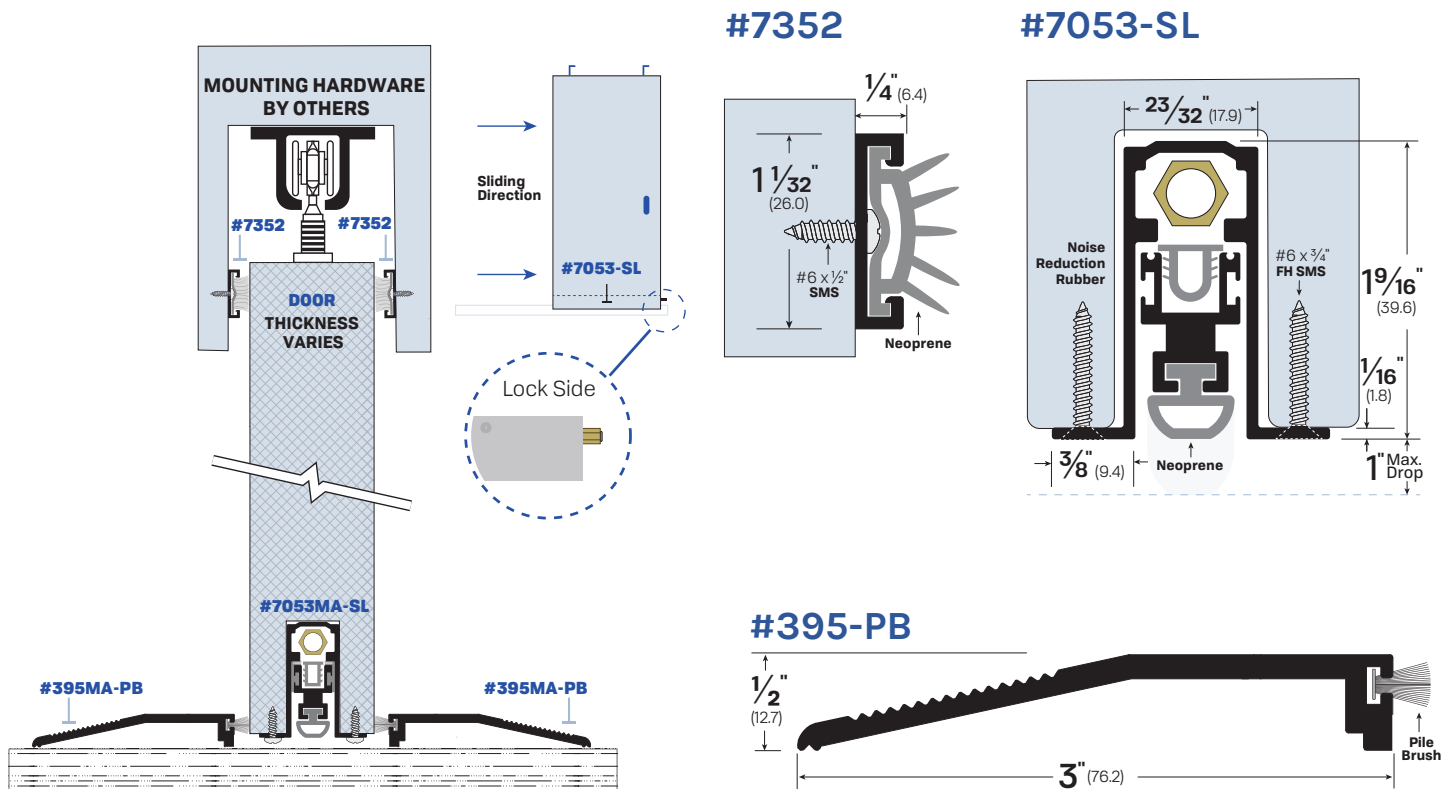
## #6030 SLIDING DOOR SYSTEM

Legacy's patent pending automatic door bottom for the sliding door application has a unique low force activation mechanism which allows for more successful operations.



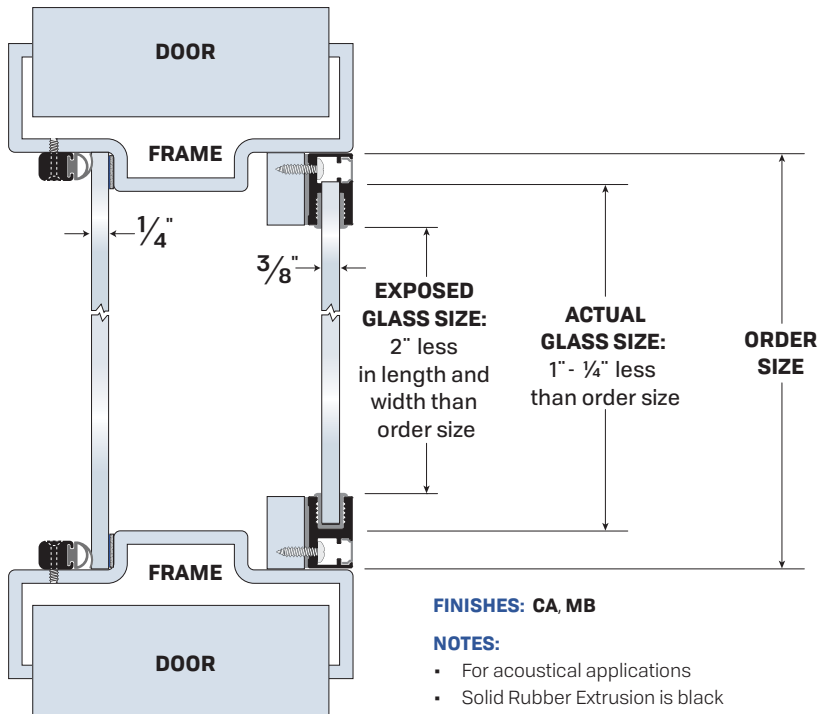
## #6040 POCKET LATCH SYSTEM

Legacy's patent pending automatic door bottom for the pocket latch application has a unique low force activation mechanism which allows for more successful operations.



Specialty Solutions

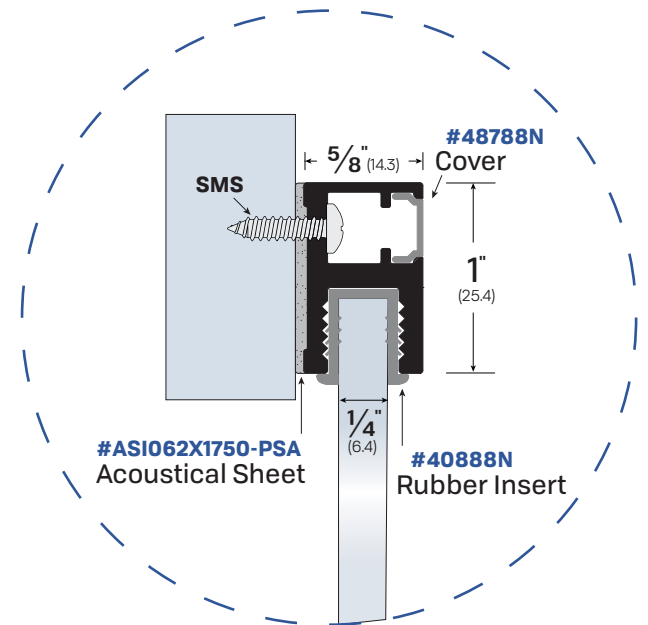
**#50888 ACOUSTICAL VISION (1-3/4" DOORS)**



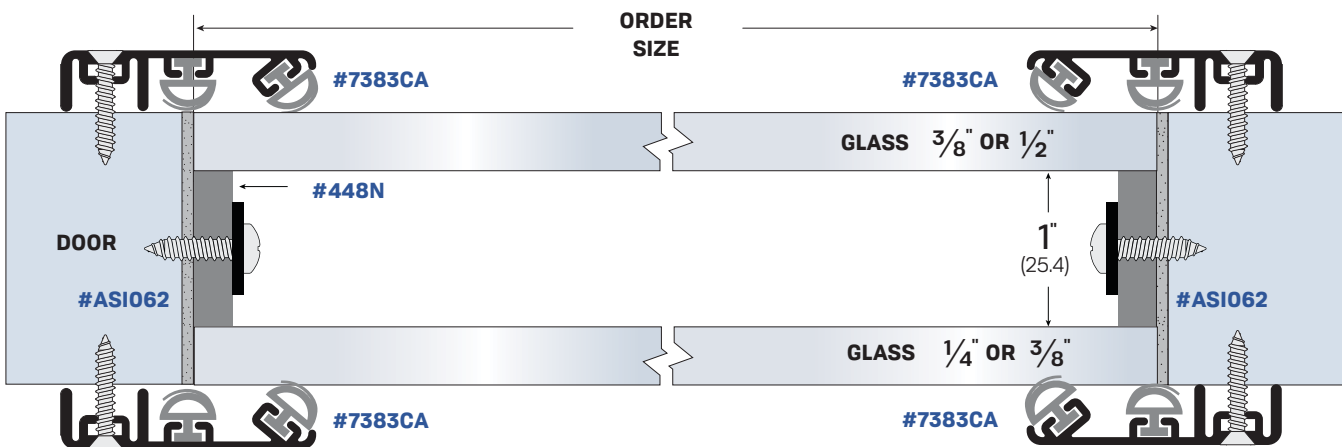
**FINISHES: CA, MB**

**NOTES:**

- For acoustical applications
- Solid Rubber Extrusion is black
- Snap-on security cover
- Panhead screw #6 x 1/2" supplied



**#6384 ACOUSTICAL VISION (2-1/8" DOORS OR GREATER)**



**FINISHES: CA, MB**

**NOTES:**

- Please specify thickness of the door when ordering.
- Acoustical Composite Sheet (ASI) by Legacy provides sound absorption between glass plates.
- Glass plates with two different thicknesses required to minimize sound transmission.
- Sound control performance on this opening may achieve up to 44STC.
- Glass to be supplied by other manufacturers.
- #7383 corners are standard mitered cut.

## Acoustical Soundproofing Insulation (ASI)

Acoustical Soundproofing Insulation (ASI) is proprietary, special-purpose rubber material manufactured in sheet form – developed primarily for sound door OEM use as acoustical core to improve STC ratings. This lead-free, densely filled polyurethane rubber effectively blocks sound transmission while minimizing sound vibrations in the door itself for superior STC performance, without the weight and cost of conventional solid-lead acoustical linings.

Call our engineering department to discuss possible applications for your sound door program.

### LEGACY ENGINEERING

Local: +1 (718) 292-5333

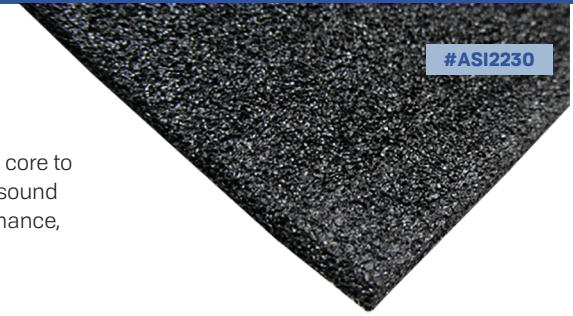
Toll Free: +1 (888) 383-3330

Its non-toxic, inert properties also make ASI suitable for a range of additional OEM applications, which we are available to discuss for possible collaboration.

### MATERIALS / SPECIFICATIONS:

- Densely filled, solid pigmented, polyurethane rubber noise barrier providing both sound-absorbing and sound-deadening properties.
- Uses 100% natural fiber found in volcanic rocks.
- Non-toxic, inert and non-carcinogenic – no toxic reactions with air or water.
- Non-combustible and non-explosive with a high melting point and low smoke index – safe for use in most fire-rated applications.
- Biodegradable with a low carbon footprint.
- Frequently used in CLMD (constrained layer mass damping) applications, such as sound walls.
- Mold-resistant and mildew-resistant, and washable when used in exposed areas, such as restaurants, public spaces, temporary applications, hanging baffles, etc.

	¼" Thick #ACS250X12	⅝" Thick #ACS125X12
STC Rating	28	24
Deficiencies	23	32
OITC Rating	24	19



### Sound Transmission Coefficients

Frequency	STC - ¼"	STC - ⅝"
125 Hz	18 db	14 db
250 Hz	20 db	15 db
500 Hz	25 db	20 db
1000 Hz	28 db	23 db
2000 Hz	32 db	37 db
4000 Hz	37 db	33 db
Sound Transmission Class:	28	24

Physical Properties	#ACS250X12	#ACS125X12
<b>Tensile Strength:</b>	(Per ASTM D412-64) 375 lb./sq. in.	105.32 lb./sq. in.
<b>Elongation:</b>	(Per ASTM D412-64) 113.2%	160%
<b>Tear Strength:</b>	(Per ASTM D1004-66) 6.09 lb./in.	6.09 lb./in.
<b>Weight/ft. <sup>2</sup>:</b>	1.337 lb./sq. ft.	0.7106 lb./sq. ft.
<b>Thickness:</b>	Approximately 0.250"	Approximately 0.125"
<b>Cold Crack:</b>	(32°F) No crack when bent over 1" mandrel	No crack when bent over 1" mandrel
<b>Flammability:</b>	Passes MVSS #302 UL94-SE "0" Classified as SE (Self Extinguishing) No burn rate	Passes MVSS #302 UL94-SE "0" Classified as SE (Self Extinguishing) No burn rate
<b>Recommended Service Temperature:</b>	40°F - 140°F	40°F - 140°F
<b>Notes:</b>	May be doubled for improved isolation Resistant to oil, grease, & solvent	May be doubled for improved isolation Resistant to oil, grease, & solvent

These results apply only to our test sample. Legacy will assist in developing samples and protocols for testing other materials on request.



## Fire Protection Material for Special Order and OEM Applications

**NOTES:**

- Used in fire and acoustical applications.
- Available in custom length, width and thickness.
- Proprietary formulation -- environmentally safe, minimal carbon footprint.
- Standard black color. Red available as option—specify RD.
- Optional - Laminated to wood, aluminum, steel, or other solid materials.

CUSTOM  
MADE TO  
ORDER ANY  
LENGTH AND  
COLOR

Call our Engineering Department to discuss your needs and available options.

**LEGACY ENGINEERING**

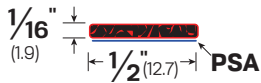
Local: +1 (718) 292-5333

Toll Free: +1 (888) 383-3330

LEGACY	14212	14219	14225	14244	14312	14319	14325	24625	24650
ZERO	4062500	4062750	40621000	40621750	412500	4125750	41251000	42501000	-

### Type #3 (30X Expansion)

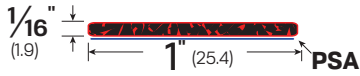
#### #13212



#### #13219



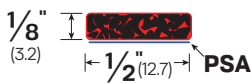
#### #13225



#### #13244



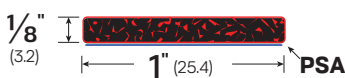
#### #13312



#### #13319

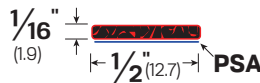


#### #13325

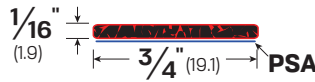


### Type #4 (120X Expansion)

#### #14212



#### #14219



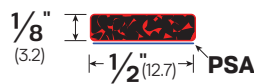
#### #14225



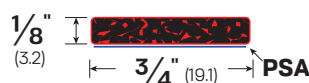
#### #14244



#### #14312



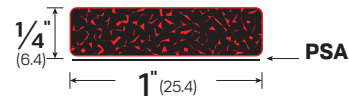
#### #14319



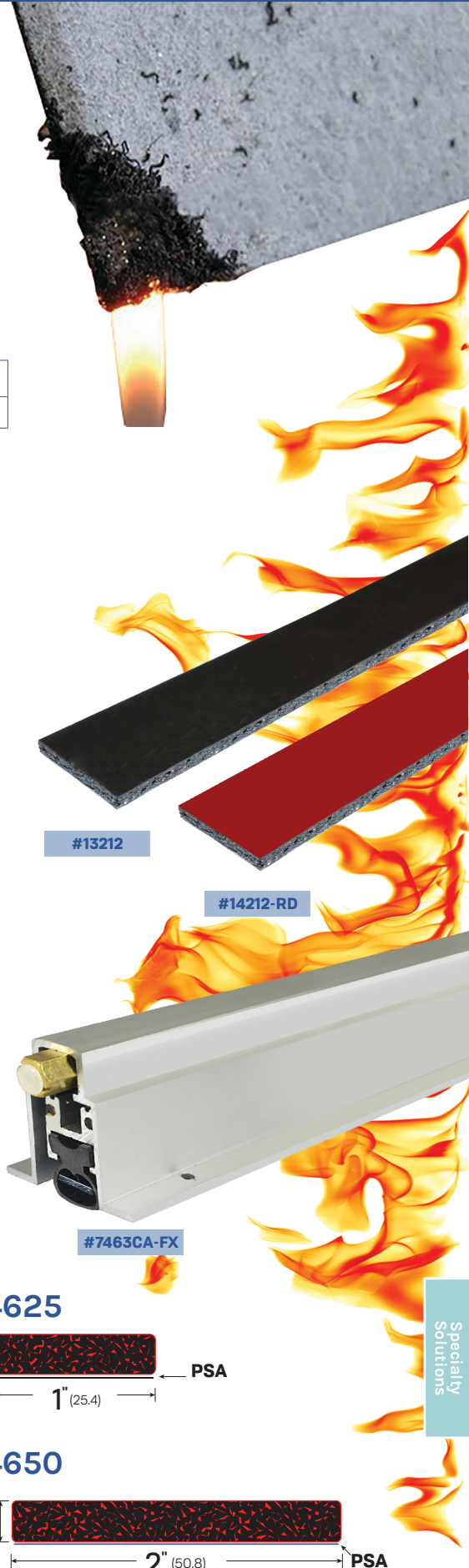
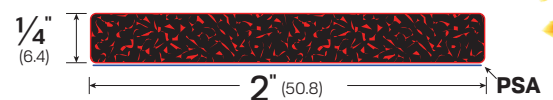
#### #14325



#### #24625



#### #24650



NO  
COMPETITOR  
EQUIVALENTS

Specialty  
Solutions



**Website**  
RubberLLC.com

**Address**  
415 Concord AVE,  
Bronx, NY 10455

**Email**  
Contact@LegacyLLC.com

**Phone**  
Local: +1 (718) 292-5333  
Toll Free: +1 (888) 383-3330

Legacy Rubber is your one source for top-quality rubber extrusions in the shapes, colors, and lengths you need. We can help determine the best rubber or evaluate custom compounds for your application.

Legacy Rubber is located in the heart of the nation's primary rubber manufacturing region, Middlefield, Ohio. We produce highest-quality materials in both standard and customized formulations, and can supply virtually any kind of rubber, tinted to the color you need.

Available in both dense and sponge compounds, standard materials include:  
EPDM · natural rubber · nitrile · polyisoprene · SBR · silicone · neoprene.

Legacy rubber products are solving problems across a broad spectrum of industries, including:

- Agriculture
- Automotive
- Aviation
- Construction
- Equipment
- Food
- HVAC
- Industrial
- Marine
- Pharmaceutical
- Renewable Energy
- Window & Door



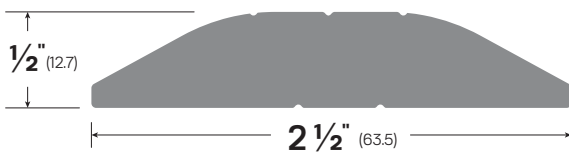
The machine line in our Middlefield, Ohio Facility.



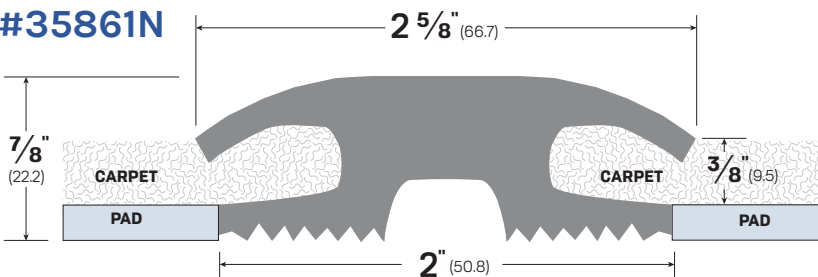
### UNIQUE BENEFITS FOR OUR OEM PARTNERS

- Our state-of-the-art equipment includes digital controls that maintain very close tolerances for optimizing conformance of custom-made dies to their blueprints, along with providing consistent, accurate extrusions.
- Extrusion capabilities include: standard and custom shapes and profiles, seals, weatherstripping and rubber straps.
- Our continuous cure technology permits long-run extrusions of virtually any length—for example, O-rings in continuous stock to lengths of 1,000 feet and longer.
- 100% U.S. sourcing eliminates the variables of international supply and deliveries. On-time delivery is standard at Legacy Rubber.

### #3224N



### #35861N



**MATERIAL: N** - Neoprene

**SBR: Styrene-butadiene Rubber**

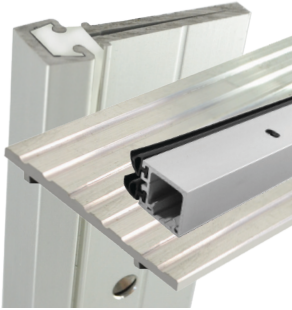
A synthetic rubber with good abrasion resistance and aging stability. Car tires are made of SBR.



#35861N

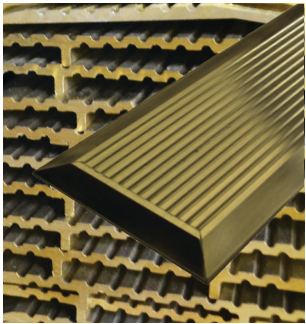
LEGACY	NGP	PEMKO	ZERO
<b>3224N</b>	-	-	-
<b>35861N</b>	401	-	1685N

## Materials



### Aluminum (CA) (DB) (MA)

Aluminum shapes by Legacy are extruded in a mill finish. Parts are available in mill finish, dark bronze anodized, and clear anodized (204R1 clear). Legacy uses a 6063 alloy with a hardness between T5 and T6.



### Bronze (BR)

Architectural Bronze shapes by Legacy are extruded in brass alloy #380. This alloy has the following breakdown: 57.5% copper, 41% zinc, 1.3% lead, and 0.2% aluminum. Legacy's bronze products are provided in a standard mill finish. However, Legacy also offers a variety of bronze finish options such as polishing and oil-rubbing. Over time, the gold color bronze that Legacy provides will oxidize to a dark bronze. Legacy also has roll-formed spring bronze. This product is about 90% copper and 10% zinc. Most commonly used in part 5911BR.



### Neoprene (N) (SPR)

Legacy Manufacturing extrudes our own neoprene at our Ohio facility. Neoprene is provided in two different forms: Closed-Cell Extruded Sponge Rubber (SPR) and Solid Extruded Rubber (N). Because of the chemical composition of neoprene, the product can only be extruded in a black color. The primary chemical that limits the color of neoprene is chlorine, which is required in Legacy's products for fire-rating purposes. Technical data is provided on request. Neoprene generally has a tensile strength up to 3000 PSI, with a hardness range is between 40-70 (Shore A), and provides excellent adhesion to both aluminum and bronze. Neoprene is superior to vinyl for its tear resistance and resilience under temperature changes.



### Silicone (S)

Also produced at our Ohio facility, Legacy's silicone can be extruded in a variety of colors including white, blue, green, grey, brown, black, and clear. Silicone has excellent resistance to oxidation, heat, cold, and water absorption. Silicone should not be used in areas that have concentrated exposure to chemicals and acids.



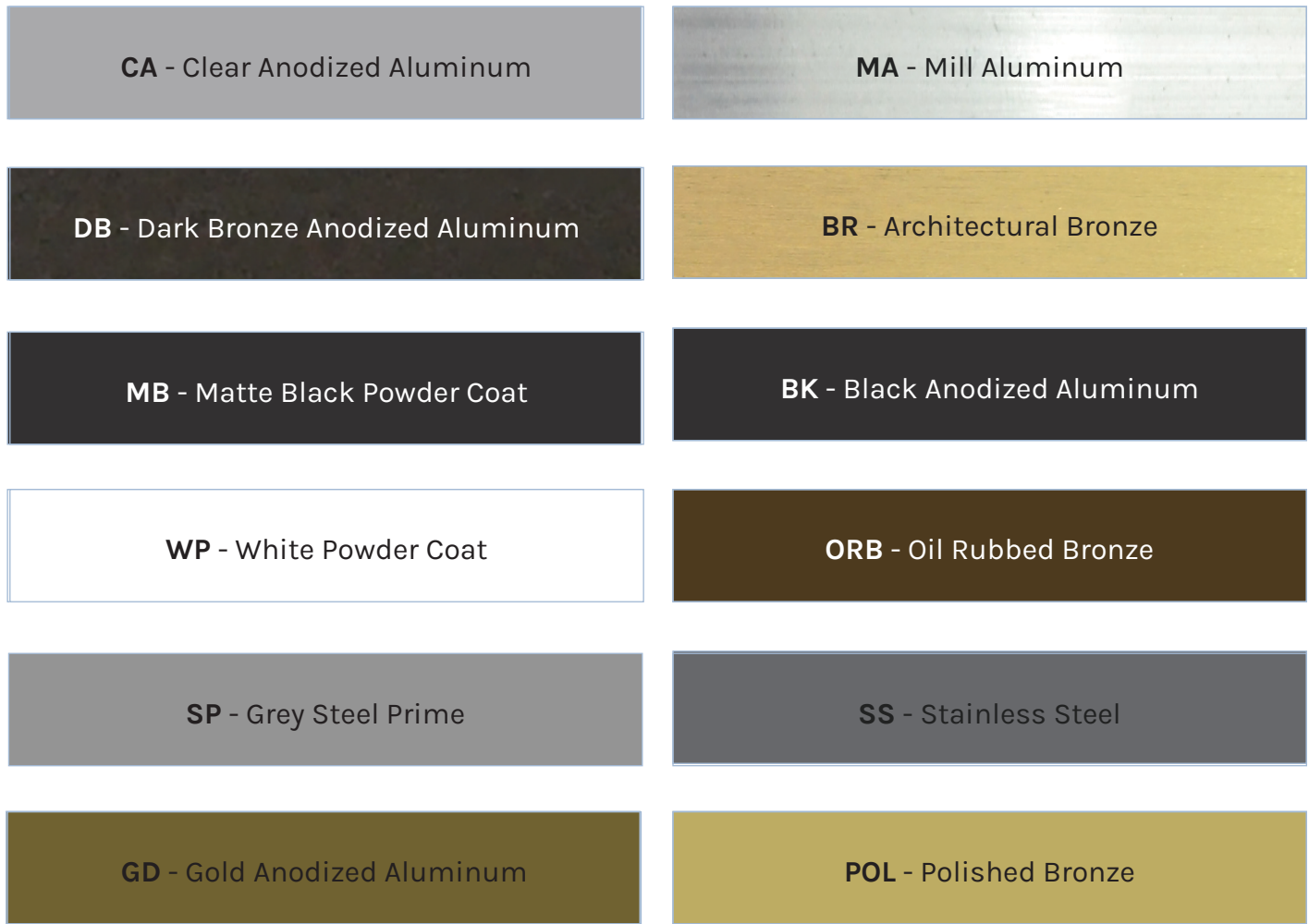
### Polypropylene Brush (PB)

Pile Brush inserts are used in a variety of applications and mostly for interior openings. The brush consists a polypropylene fiber that is mechanically fastened to a plastic backing. Custom brushes are also available depending on customer specifications. Fibers are generally flexible.

### Fasteners (SMS) (FA)

Standard threaded-to-the-head sheet metal screws are supplied for all head and jamb gasketing material. Legacy has a variety of options for the screw head including Phillips, slotted, truss, pan, and flat head. Flat head screws are generally provided for threshold applications. We also offer a wide range of anchors that can be used with these screws. ( See page 27 for available anchors.)

## Finishes



### Aluminum

Mill Finish	ANSI/BHMA 719	US27	MA
Anodized Aluminum	ANSI/BHMA 628	US28	CA
Dark Bronze	-	-	DB
Powder-Coated Colors	SEE ABOVE	-	-

### Architectural Bronze

Satin Finish	ANSI/BHMA 728	US4	BR
Oil-Rubbed	ANSI/BHMA 722	US10B	ORB
Polished	ANSI/BHMA 721	US3	POL

### Stainless Steel

Mill Finish	-	-	SS
Brushed (#4)	ANSI/BHMA 630	US32D	SS-Brushed
Polished	ANSI/BHMA 629	US32	SS-POL

## Product Symbols



## Regulatory Standards

### Fire Rated



- UL10B Standard for Fire Tests of Door Assemblies
- UL10C Standard for Positive Pressure Fire Test of Doors
- UBC 43-2 Fire Test of Door Assemblies
- UBC 7-2-97 PART I Fire Test Standard for Swinging Fire Doors
- CAN / ULC S104
- ASTM E152 Method of Fire Test of Door Assemblies
- ASTM E2074 Standard Test Method for Fire Tests of Door Assemblies, including Positive Pressure Testing of Side Hinged and Pivoted Swinging Door Assemblies
- IBC 2009 International Building Code
- NFPA 80 Standard for Fire Doors and Fire Windows
- NFPA 101 Life Safety Code
- NFPA 105 Recommended Practice for the Installation of Smoke and Draft Control Door Assemblies
- NFPA 252 Standard Method of Fire Tests of Door Assemblies SDI 118 Basic Fire Door Requirements

### FEMA Compliant



- FEMA Technical Bulletin 3-93 Non-Residential Flood-proofing
- FEMA Flood-proofing Non-Residential Structures #102
- FEMA P-259 Engineering Design and Principles

### Smoke



- UL1784 Standard for Air Leakage Tests of Door Assemblies
- IBC 2009 International Building Code
- UBC 7-2-97 PART II Method of Smoke and Draft Control Tests of Door Assemblies

### Acoustic



Acoustical ratings are achieved by OEM testing using specific door assembly configurations. See our acoustical section located on pages 67 for more detailed STC ratings.

### ADA Accessible



- ADAAG-1998
- ICC/ANSI A117.1-1998 Standard for Accessible and Usable Buildings and Facilities
- IBC 2009 International Building Code

### Non-Slip Surface



- ASTM F-609 Standard for Safety for Slip Resistance of Floor Surface
- MIL-D 23003 A Deck Covering Compound, Non- Slip, Rollable
- UL 410 Standard for Safety for Slip Resistance of Floor Surface

### Electromagnetic / Radio Frequency Interference



- EMI testing is achieved by testing against standards of MIL-STD-285 and NSA 73-2A. We are happy to work directly with you and your opening to achieve positive results.
- MIL-STD-285 Attenuation measurement for enclosures, electromagnetic shielding
- NSA 73-2A Performed for electric field attenuation over the frequency range 10 MHz to 1 GHz

Part #	Page #	Part #	Page #	Part #	Page #	Part #	Page #
1	70,73	395	86	3012	36	3712	36
1S	47	399N	29	3028	38	3741	34
2	71,73	413PB	48	3031	29	3745	30
2C	73	416C	72	3106EJ	42	3756	31
2CH	71,73	423PB	48,66	3143	35	3761	43
2S	47	443PB	48	3144	35	3762	40
3	71,73	448N	88	3145	35	3776	29
3C	73	501	53	3148	39	3812	36
3CH	70,73	513	49,54	3221N	44	3815N	28
3S	47	523	54	3225N	44	3841	34
4C	73	533	54	3232	37	3845	28,30
4CH	71,73	545DP	9	3276	27,28,29,41	3846	83
4S	47	589	49,56,86	3291	33	3856	31
5CH	73	599	56	3292	33,40	3861	29,43
5S	47	711	25	3325	32	3862	28,29,41
6	73	712	25	3332	37	3876	29
6S	47	714	63	3376	26,28,29,41	3904	32
7	71,73	715	63	3425	32	3905	32
7S	47,72	718	19	3432	37	3912	36
7Z	70	732	72	3441	34	3928	38
8	71,72	733	62	3445	3,30	3931	29
8C	72	734	65	3456	27,31	3934	38
21	72	735	21,58,62	3461	32,43	3935	33
FA21	28	739	20	3465	2,26,28,33, 40,80,82,85	3938	38
FA22	28	743	62	3476	29,41,83	3941	38
FA23	28	744	65	3486	35	3942	38
FA24	27,28	749EC	15	3512	36,40	3948	38
FA26	28	752	39	3514	40	3956	31
42PB	48	759	20	3532	37	3960DP	42
2INCHNUT	15	763	62	3541	34	3961	43
64EA	84	769	20	3545	30,40	3962	28,29
115	68	774	65	3556	31	3964	29,41
B118L	72	779	20	3561	43	3965	36
ASI125	89	789	60,66	3565	33	3966DP	26,42
B180	72	793	318,24,82	3571	39	3971	39
S180	72	795	62	3574	28,35	3976	29
B181	72	799	16,60	3576	28,29,41	4063EC	15
S181	72	1019	3,67,68,84	3601	28,29	4123EC	15
B182	72,81	1027	67	3612	36	4153EC	15
S182	70,72	1059	69,85	3616	34	4163EC	15
B183	72	1179	68	3632	37	5001	56
B184	72	1279	68	3641	34	5018SPR	48
ASI250	80,81,82,89	1359	69,80,81,83	3645	30	5021	79
313	35	1379	68	3656	32,40	5027	76
342	35	1479	68	3661	43	5028	77
346	32	1559	69	3665	33,81	5029	78
348N	28,29	ASI2230	89	3669	31	5040	79
352	35	2275	78	3676	29,41	5041	57
356	33,83	ASI2300	80,81,82	3701	41	5060	79
386	28,29,41,83	3006EJ	42			5071	49,51,52

Part #	Page #
5072	57
5074	57
5075	54
5077	3,51,51,52, 80,81,84,85
5077SPB	50
5078SPB	50
5078	53
5088S	47
5118SPR	48
5127	74,76
5128	77
5129	78
5175	54
5178	53
5203-FX	55
5213SPR	48
5217	53
5218SPR	48
5241	25
5258SPR	47
5272	57
5274	57
5378	53
5413	55
5428S	46
5552	53
5555	53
5574	56,82,83,85
5583	56
5584	56,57,82,85
5623	55
5628SPR	48
5658S	47
5711S	46
5813SPR	48
5814SPR	48
5823SPB	50
5823	55,87
5848S	47
5873	56
5874	49,56
5881S	3,45,46, 80,83, 87
5883S	46,82
5884S	46
5903	54
5911	80,83,85
5924	52,83
5924L-EXT	52

Part #	Page #
5974	56
6030	86
6036STC	82
6037STC	82
6040	86
6042STC	81
6046STC	81
6047STC	81
6048STC	80
6049STC	80
6050NIT	85
6051NIT	85
6090EMI	85
6136STC	82
6142STC	82
6148STC	81
6236STC	82
6384	88
7001	60
7011	23
7023	12,83
7041	64,64
7053	10,13,14, 84,86,87
7063	4,6
7075	61
7078	61
7093	9
7111	23,85
7112	23
7115	22,24
7123	5,12
7153	10,13,14,82
7163	4,5,6
7175	18
7177S	48,66
7178	18,61
7183	16,21
7253	10,13,14
7263	4,6
7275	61
7277S	48,66
7283	21
7323	12
7331	66
7351	22,85
7352	23,85,86
7378	61
7383	58,64,83,88
7431	66

Part #	Page #
7451	22
7452	23
7463	5,7,90
7483	64,64
7531	58,66
7552	18,61
7553	5,11,82,83,87
7563	7,39,85
7574	60
7583	17,60
7593	9
7623	59
7631	66
7663	7
7731	58,66
7752	22
7763	2,3,5,8,80,83
7774	16,19
7793	9
7823	17,59
7831	66
7835	20
7836	18,24
7852	23
7863	8
7891	24
7893	62
7923	17
7933	16,17,64
7936	18,24
7963	8
7974	60
7991	24
10059	69
13212	90
13219	90
13225	90
13244	90
13312	90
13319	90
13325	90
14212	90
14219	90
14225	90
14244	90
14319	90
14325	90
22070-OS	78
24625	90
24650	90

Part #	Page #
30145	30
30176	29
30756	26,40
31056	31
31145	30
31245	30
34761	34
35756	32
35761	34
35861N	44
36761	34
36861N	44
37861N	44
39766N	44
50517S	46,81
50518S	46
50519S	46,82
50777	51,52
50778SPR	48
50878SPR	45,48
50888	88
51888S	47
51888	55
52408S	45,46,80
52718SPR	48
52888	55
53038	54
53408SPR	47
53508F	47
54418S	46
55418S	46
56128S	46
59150	54
70481	63
71518	22
71553	11
71918	19
72553	11
72918	19,59,66
73918	19,59,66
74453	21
74918	3,19,58,59,66
76453	21
77128S	48,66
77319	66
77918	25,83
78918	25
79408N	20
79418	22
7W933	17

## MAIN OFFICE & MANUFACTURING

### WEBSITE

LegacyLLC.com

### EMAIL

Contact@LegacyLLC.com  
Orders@LegacyLLC.com

### ADDRESS

415 Concord Avenue,  
Bronx, NY 10455

### PHONE

Local: +1 (718) 292-5333  
Toll Free: +1 (888) 383-3330

## LEGACY RUBBER

### WEBSITE

RubberLLC.com

### EMAIL

Contact@LegacyLLC.com  
Orders@LegacyLLC.com

### ADDRESS

415 Concord Avenue,  
Bronx, NY 10455

### PHONE

Local: +1 (718) 292-9333  
Toll Free: +1 (888) 383-3330

## ACCURATE METAL WEATHERSTRIP

### WEBSITE

Accurateweatherstrip.com

### EMAIL

Contact@LegacyLLC.com  
Orders@LegacyLLC.com

### ADDRESS

415 Concord Avenue,  
Bronx, NY 10455

### PHONE

Local: +1 (718) 292-9333  
Toll Free: +1 (888) 383-3330

## DOOR FLOOD BARRIER

### WEBSITE

Doorfloodbarrier.com

### EMAIL

Contact@LegacyLLC.com  
Orders@LegacyLLC.com

### ADDRESS

415 Concord Avenue,  
Bronx, NY 10455

### PHONE

Local: +1 (718) 292-9333  
Toll Free: +1 (888) 383-3330



U.S. Department of  
Homeland Security  
Critical Manufacturing  
Sector Coordinating Council



FEMA



PRICE - \$25 @ LEGACY MANUFACTURING LLC 2024



ALL LEGACY PRODUCTS  
are manufactured in the  
**UNITED STATES**