

# How To Order: **Perimeter Seals**

**Example #5077CA-FX-36**

**Easy Ways To Order**

**Email**

Orders@LegacyLLC.com

**Phone**

Local: +1 (718) 292-5333  
Toll Free: +1 (888) 383-3330

**Fax**

+1 (888) 383-3330

**PART NUMBER & FINISH - OPTIONS - LENGTH**

**5077**

**CA**

**FX**

**36**

**PART #**

501	5378
513	5413
523	5552
533	5555
589	5574
599	5583
5001	5584
5041	5623
5071	5823SPB
5072	5823
5074	5873
5075	5874
5077SPB	5903
5077	5924
5078SPB	5924L-EXT
5078	5974
5175	50777
5178	51888
5203-FX	52888
5217	53038
5272	59150
5274	

**FINISH / MATERIAL**

Perimeter seals are available in Aluminum and Steel in various options. Please check available finishes listed for each product.

- CA** - Clear Anodized
- BR** - Architectural Bronze
- DB** - Dark Bronze Anodized
- MA** - Mill Aluminum
- MB** - Matte Black Powder Coat
- SP** - Grey Steel Prime
- SS** - Stainless Steel
- WP** - White Powder Coat

**OPTIONS**

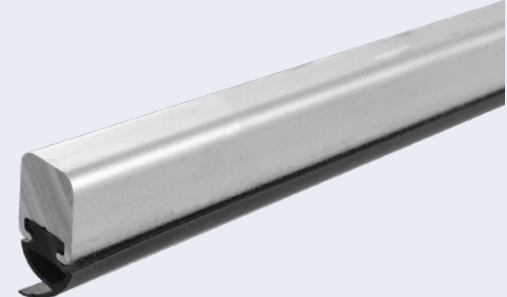
Options vary by product. Please check available options listed for each product.

<b>Blank</b> - No Option	<b>PB-BK</b> - Black Pile Brush
<b>EMI/RFI</b> - Electromagnetic/Radio Frequency Interference	<b>PB-GY</b> - Grey Pile Brush
<b>FL</b> - Fire Label	<b>POL</b> - Polished Bronze
<b>FOAM</b> - Foam Insert	<b>PSA</b> - Pressure Sensitive Adhesive
<b>FX</b> - Intumescent	<b>RS</b> - Access Control Ribbon Switch
<b>LIG</b> - Ligature Resistant	<b>S-WH</b> - White Silicone
	<b>SF</b> - Security Fasteners

**LENGTH** Please specify to nearest 1/16"



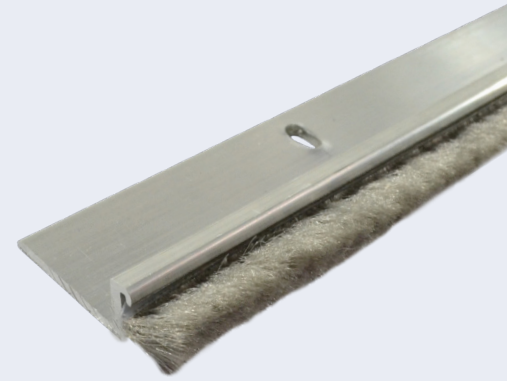
#5071CA



#513CA

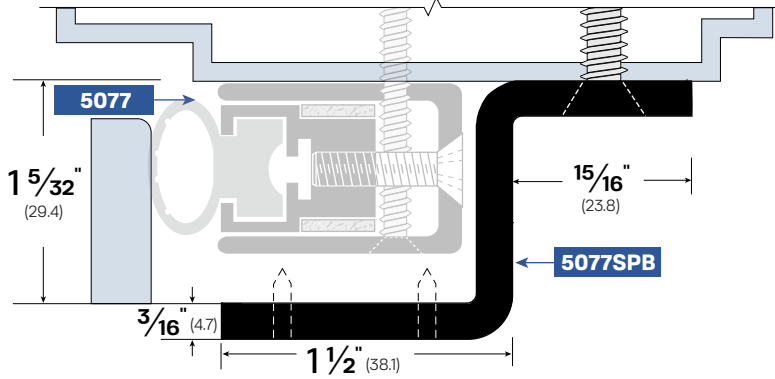


#5874CA



#589MA

**#5077SPB**  



**FINISHES: SP**

**OPTIONS: FL** - Fire Label

**NOTES:**

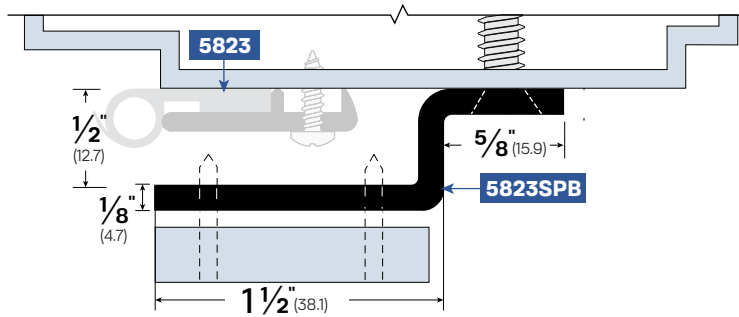
- Closer Bracket Plate
- To be used with 5071, 5077 or parts of similar size.
- Standard length is 6"
- Specify other length if needed.

#5077SPB-SP



LEGACY	NGP	PEMKO	ZERO
<b>5077SPB</b>	3SP	-	770SPB

**#5823SPB**  



**FINISHES: SP**

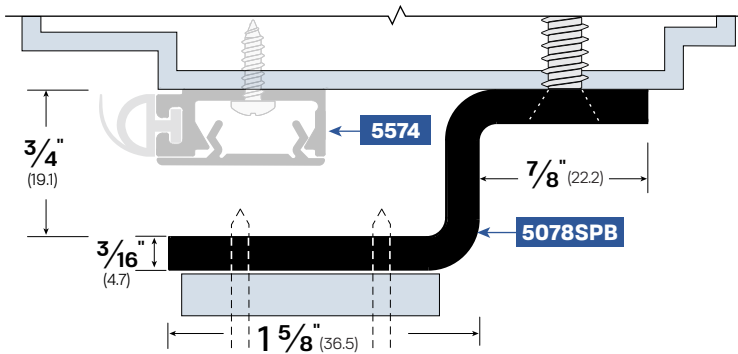
**OPTIONS: FL** - Fire Label

**NOTES:**

- Closer Bracket Plate
- To be used with 5823 or parts of similar size
- Standard length is 6"
- Specify other length if needed.

LEGACY	NGP	PEMKO	ZERO
<b>5823SPB</b>	-	-	328SPB

**#5078SPB**  



**FINISHES: SP**

**OPTIONS: FL** - Fire Label

**NOTES:**

- Closer Bracket Plate
- To be used with 5574, 5075, 5078 or parts of similar size
- Standard length is 6"
- Specify other length if needed.

LEGACY	NGP	PEMKO	ZERO
<b>5078SPB</b>	7SP	-	870SPB



#5078SPB installed at the door strike.



#5823SPB installed at the top of door.

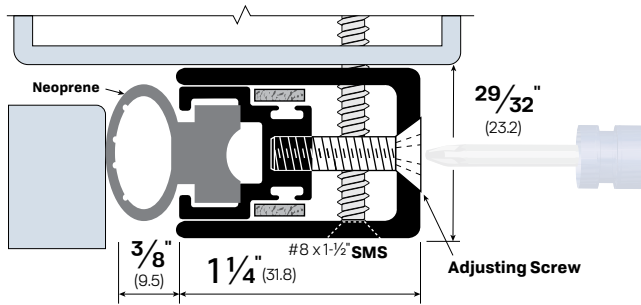
## Adjustable Seals

These systems provide adjustability that helps compensate for gaps due to imperfect door alignment at installation, or resulting from temperature and humidity changes, in order to optimize sealing performance. Adjustments are made simply with a few turns of a screwdriver.



#5077CA Installed on head of frame.

### #5077

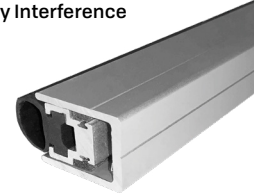


**FINISHES:** CA, DB, MB, WP

**OPTIONS:** FL - Fire Label  
EMI/RFI - Electromagnetic/Radio Frequency Interference

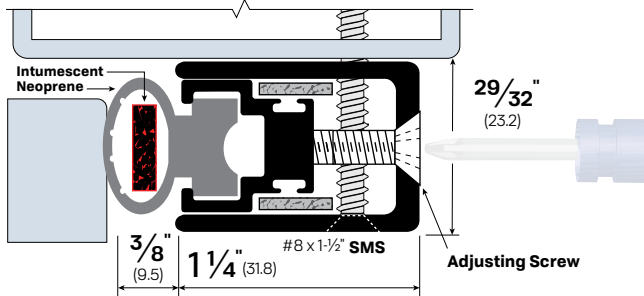
- NOTES:**
- Used with a cased open frame
  - Replacement neoprene - Part #4077N

LEGACY	NGP	PEMKO	ZERO
5077	1038N	319N	770AA



#5077CA

### #5077-FX



**FINISHES:** CA, DB, MB, WP, SP, SS

**OPTIONS:** FX - Intumescent for Fire/Acoustical applications

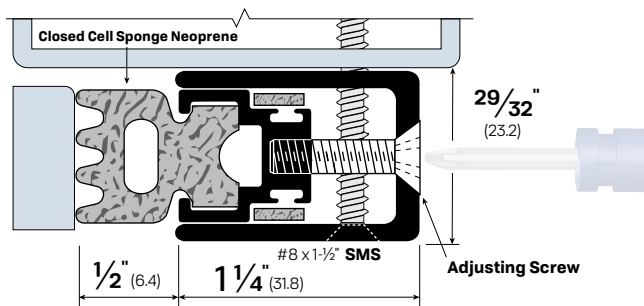
- NOTES:**
- Used with a cased open frame
  - Replacement FX - Part #13312
  - Replacement neoprene - Part #4077N

LEGACY	NGP	PEMKO	ZERO
5077-FX	-	-	770FS



#5077CA-FX

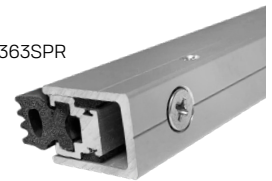
### #5071



**FINISHES:** CA, DB, MB, WP, SP, SS

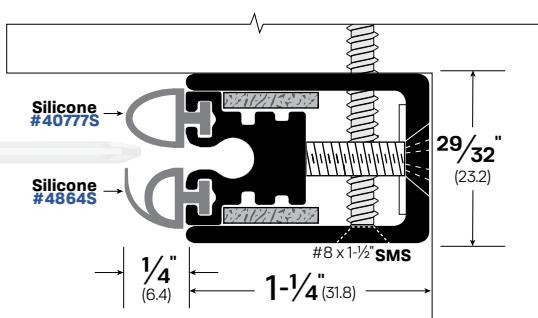
- NOTES:**
- Used with a cased open frame
  - Replacement closed cell sponge neoprene - Part #4363SPR

LEGACY	NGP	PEMKO	ZERO
5071	103N	350CSR	170AA



#5071CA

### #50777



**FINISHES:** CA, DB, MB, WP, SP, SS

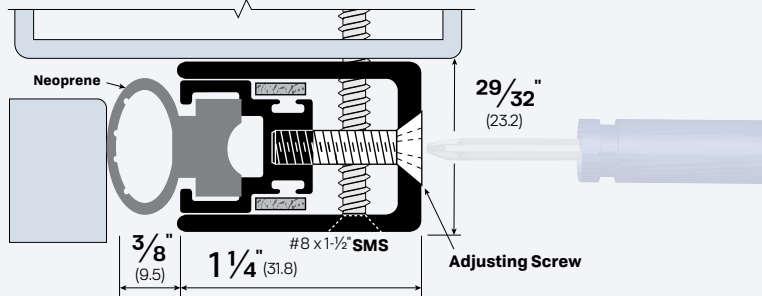
- NOTES:**
- Replacement closed cell sponge neoprene - Part #4363SPR
  - Replacement silicone - Part #40777S Available in Black (-BK) and White (-WH)
  - Replacement silicone - Part #4684S Available in Black (-BK) and White (-WH)
  - Adjustable range is up to 5/16" (7.9)

LEGACY	NGP	PEMKO	ZERO
50777	-	-	7770AA

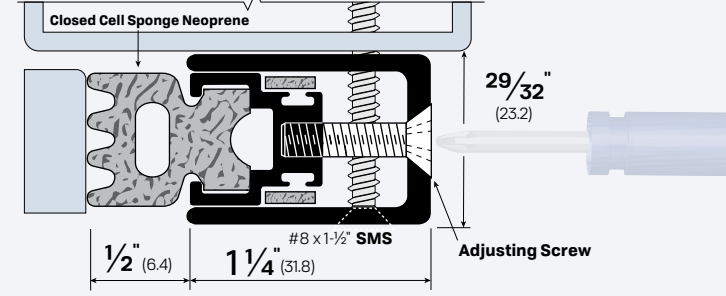
Perimeter Seals

**Stainless Steel**

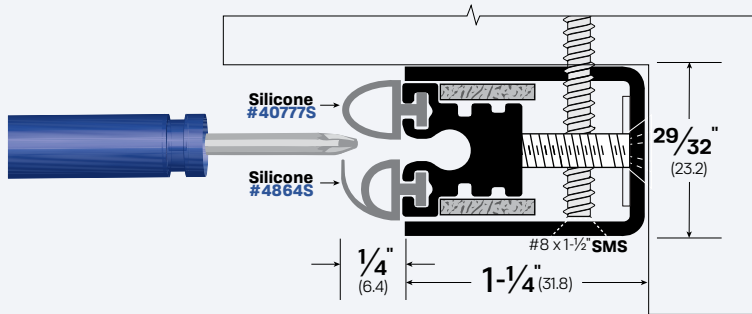
**#5077SS**



**#5071SS**



**#50777SS**

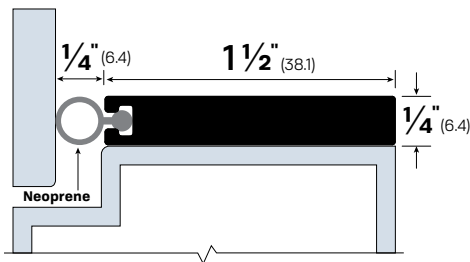


FINISHES: SP, SS

LEGACY	5077SS	5071SS	50777SS
NGP	-	-	-
PEMKO	-	-	-
ZERO	770SS/770SP	170SS/170SP	7770SS/7770SP

Perimeter Seals

**#5924**



FINISHES: MA, MB, WP

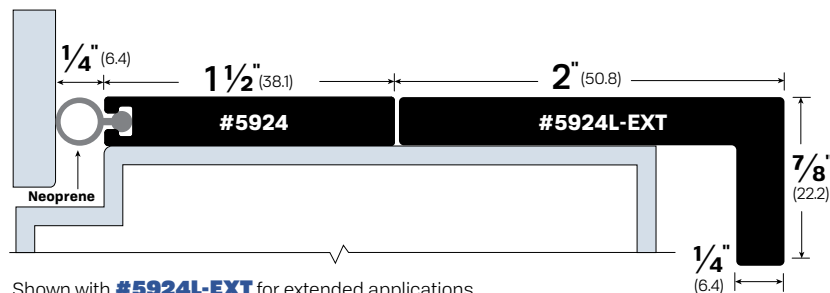
OPTIONS:

- FL - Fire Label
- LIG - Ligature Resistant

NOTES:

- Allows mounting door closer or rim exit device strikes without notching or other breaks in seal.
- Replacement neoprene - Part #4338N

**#5924L-EXT**



Shown with #5924L-EXT for extended applications

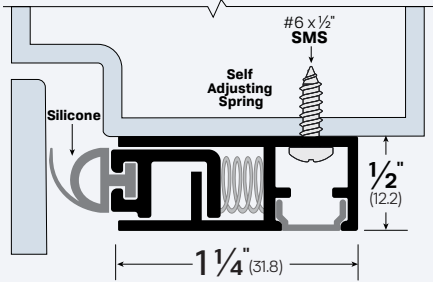
LEGACY	NGP	PEMKO	ZERO
<b>5924</b>	700N	2891AS	429AA



#5077 installed in conjunction with #5077SPB.

## #501 (Patent Pending)

Developed in response to customer demand, this unique design innovation eliminates the trade-off between functionality and aesthetics in mechanically fastened adjustable gasketing. The adjusting screw is concealed inside a housing for a clean, uninterrupted surface along the perimeter seal. Available only from Legacy.



**FINISHES:** CA, DB

**OPTIONS:**

**LIG** - Ligature Resistant

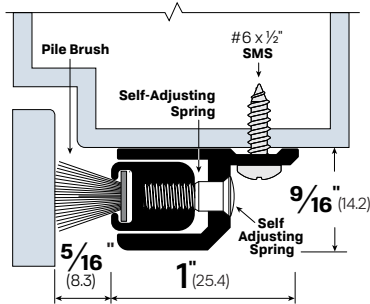
**S-WH** - White Silicone

**SF** - Security Fasteners

**NOTES:** Self-adjusting perimeter seal with concealed screws.

LEGACY	NGP	PEMKO	ZERO
501	-	-	-

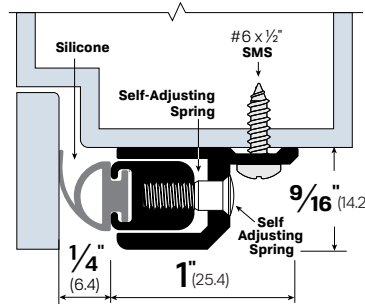
## #5552



**FINISHES:** CA, DB, MB, WP

LEGACY	NGP	PEMKO	ZERO
5552	140	351CP	255AA

## #5217



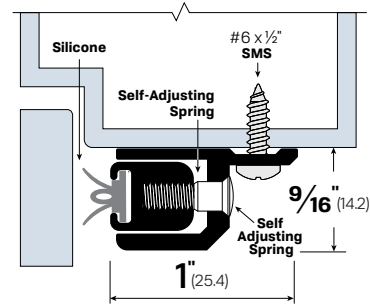
**FINISHES:** CA, DB, MB, WP

**OPTIONS:**

**LIG** - Ligature Resistant    **S-WH** - White Silicone

LEGACY	NGP	PEMKO	ZERO
5217	141N	351CS	712AA

## #5555



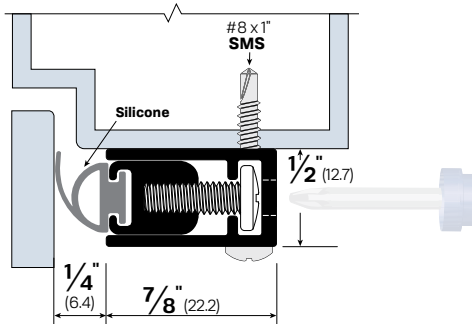
**FINISHES:** CA, DB, MB, WP

**OPTIONS:**

**LIG** - Ligature Resistant    **S-WH** - White Silicone

LEGACY	NGP	PEMKO	ZERO
5555	140S	-	555AA

## #5078



**FINISHES:** CA, DB, MB, WP

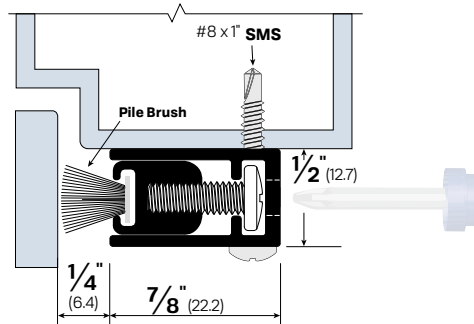
**OPTIONS:**

**LIG** - Ligature Resistant    **S-WH** - White Silicone

**FL** - Fire Label

LEGACY	NGP	PEMKO	ZERO
5078	106N	379AR	870AA

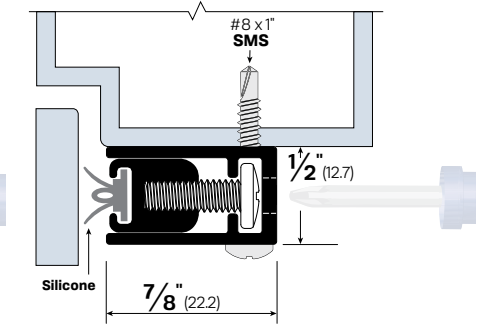
## #5178



**FINISHES:** CA, DB, MB, WP

LEGACY	NGP	PEMKO	ZERO
5178	140P	-	871AA

## #5378



**FINISHES:** CA, DB, MB, WP

**OPTIONS:**

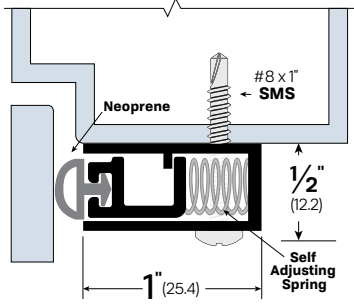
**LIG** - Ligature Resistant    **S-WH** - White Silicone

LEGACY	NGP	PEMKO	ZERO
5378	1405	-	873AA

Perimeter Seals



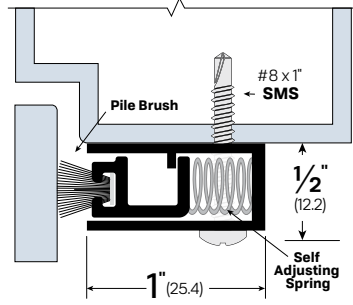
**#5075**



FINISHES: CA, MB, WP

LEGACY	NGP	PEMKO	ZERO
5075	141N	379AR	570AA

**#5175**



FINISHES: CA, MB, WP

LEGACY	NGP	PEMKO	ZERO
5175	141P	-	571AA

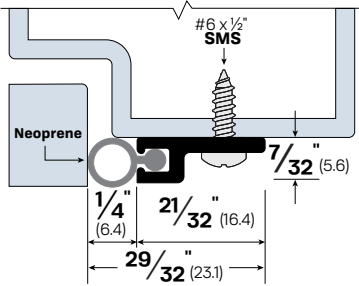


#53038CA



#513CA

**#53038**

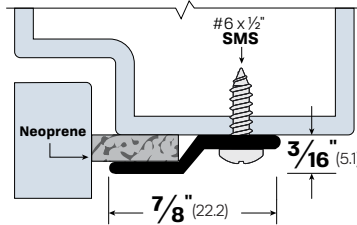


FINISHES: CA, MB, WP

OPTIONS: FL - Fire Label

LEGACY	NGP	PEMKO	ZERO
53038	135N	303PIC	8303AA

**#59150**



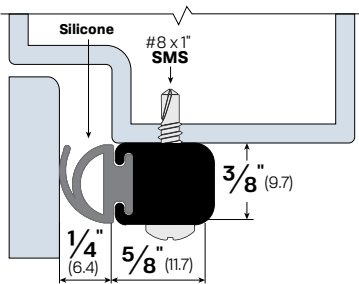
FINISHES: MA, MB, WP

LEGACY	NGP	PEMKO	ZERO
59150	-	-	-



#59150CA

**#513**



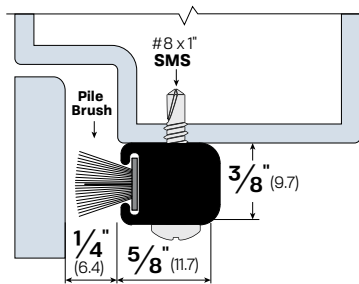
FINISHES: CA, MB, WP

OPTIONS:

LIG - Ligature Resistant S-WH - White Silicone  
 FL - Fire Label

LEGACY	NGP	PEMKO	ZERO
513	2N	300CP	31AA

**#523**



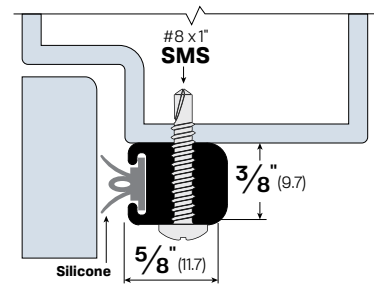
FINISHES: CA, MB, WP

OPTIONS:

PB-BK - Black Pile Brush PB-GY - Grey Pile Brush

LEGACY	NGP	PEMKO	ZERO
523	2P	300CP	32AA

**#533**



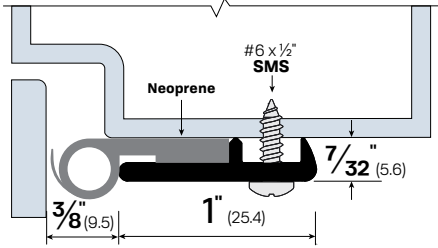
FINISHES: CA, MB, WP

OPTIONS: S-WH - White Silicone

LEGACY	NGP	PEMKO	ZERO
533	2S	-	33AA

Perimeter Seals

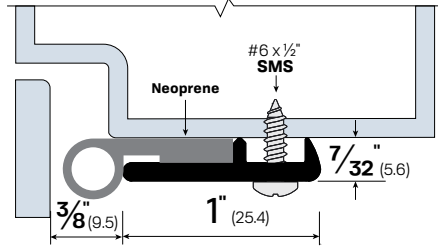
**#5623**  



**FINISHES:** BR, CA, DB, MB, WP  
**OPTIONS:**  
**LIG** - Ligature Resistant    **POL** - Polished Bronze  
**FL** - Fire Label

LEGACY	NGP	PEMKO	ZERO
<b>5623</b>	137N	319N	326AA

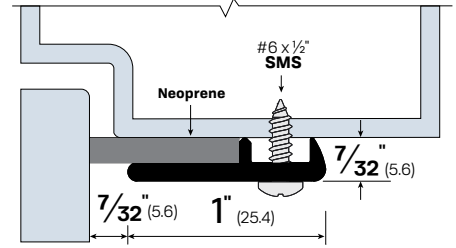
**#5823**  



**FINISHES:** BR, CA, DB, MB, WP  
**OPTIONS:**  
**LIG** - Ligature Resistant    **POL** - Polished Bronze  
**FL** - Fire Label

LEGACY	NGP	PEMKO	ZERO
<b>5823</b>	137N	319N	328AA

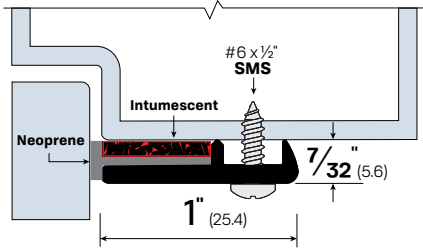
**#5413** 



**FINISHES:** BR, CA, DB, MB, WP  
**OPTIONS:**  
**LIG** - Ligature Resistant    **POL** - Polished Bronze  
**FL** - Fire Label

LEGACY	NGP	PEMKO	ZERO
<b>5413</b>	134N	319AR	314AA

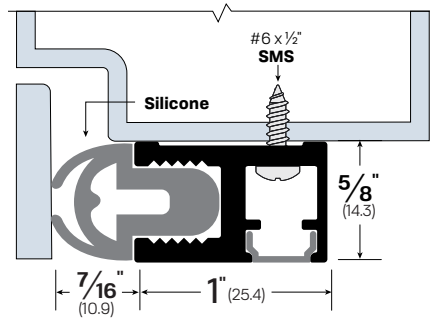
**#5203-FX**



**FINISHES:** BR, CA, DB, MB, WP  
**OPTIONS:**  
**LIG** - Ligature Resistant    **POL** - Polished Bronze  
**FX** - Intumescent

LEGACY	NGP	PEMKO	ZERO
<b>5203-FX</b>	-	-	302FS

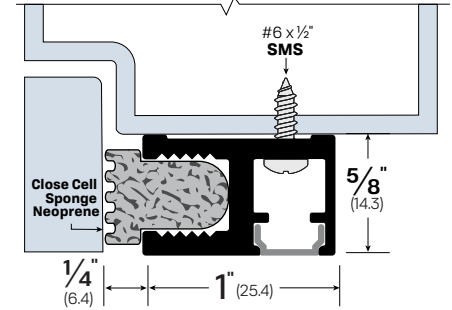
**#51888**



**FINISHES:** CA, MB, WP

LEGACY	NGP	PEMKO	ZERO
<b>51888</b>	-	-	-

**#52888**



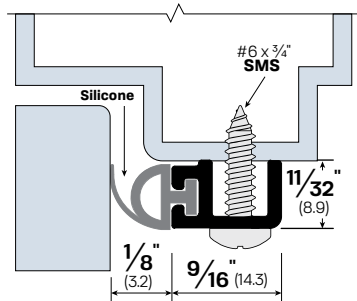
**FINISHES:** CA, MB, WP

LEGACY	NGP	PEMKO	ZERO
<b>52888</b>	-	-	-



Adjustable gasketing applied to the frame on a pair of conference room doors.

**#5584**



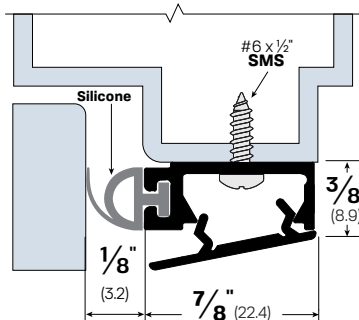
**FINISHES:** MA, DB, MB, WP

**OPTIONS:**

**LIG** - Ligature Resistant    **FL** - Fire Label  
**NIT** - Nitrile Extrusion

LEGACY	NGP	PEMKO	ZERO
<b>5584</b>	152S	312AR	485A

**#5574**



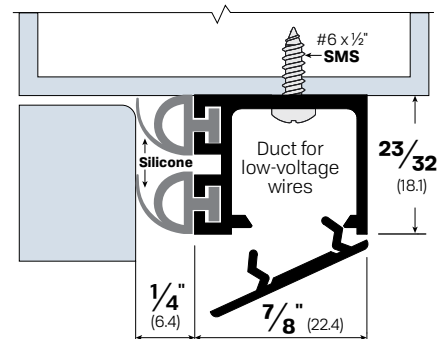
**FINISHES:** CA, DB, MB, WP

**OPTIONS:**

**LIG** - Ligature Resistant    **FL** - Fire Label  
**S-WH** - White Silicone    **NIT** - Nitrile Extrusion

LEGACY	NGP	PEMKO	ZERO
<b>5574</b>	172N	29321-TF	475AA

**#5874**



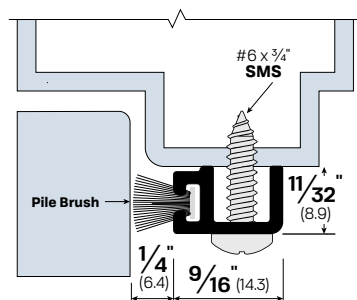
**FINISHES:** CA

**OPTIONS:**

**FL** - Fire Label    **S-WH** - White Silicone

LEGACY	NGP	PEMKO	ZERO
<b>5874</b>	-	-	478AA

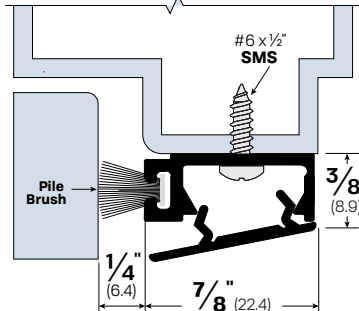
**#5583**



**FINISHES:** MA, DB, MB, WP

LEGACY	NGP	PEMKO	ZERO
<b>5583</b>	-	-	-

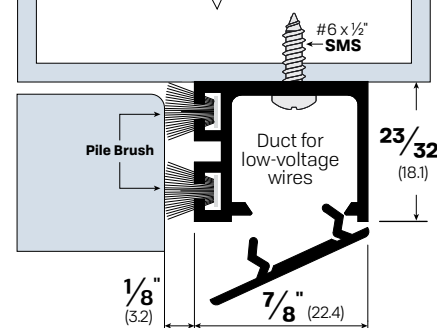
**#5974**



**FINISHES:** CA, DB, MB, WP

LEGACY	NGP	PEMKO	ZERO
<b>5974</b>	-	-	-

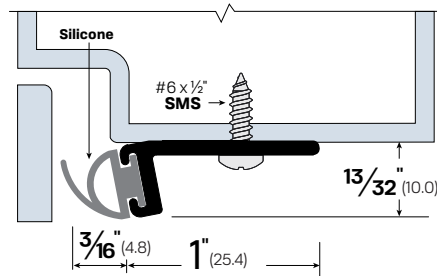
**#5873**



**FINISHES:** CA

LEGACY	NGP	PEMKO	ZERO
<b>5873</b>	-	-	-

**#599**



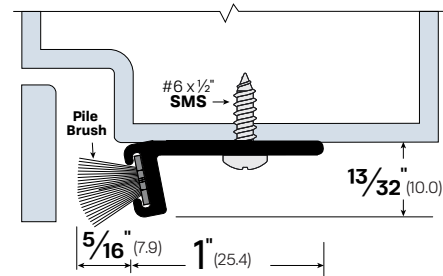
**FINISHES:** MA, DB, MB, WP

**OPTIONS:**

**LIG** - Ligature Resistant    **S-WH** - White Silicone

LEGACY	NGP	PEMKO	ZERO
<b>599</b>	161N	-	99A

**#589**



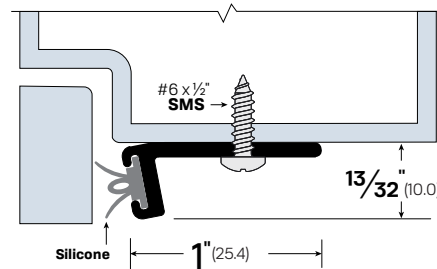
**FINISHES:** MA, DB, MB, WP

**OPTIONS:**

**PB-GY** - Grey Pile Brush    **PB-BK** - Black Pile Brush

LEGACY	NGP	PEMKO	ZERO
<b>589</b>	161P	-	98A

**#5001**



**FINISHES:** MA, DB, MB, WP

**OPTIONS:**

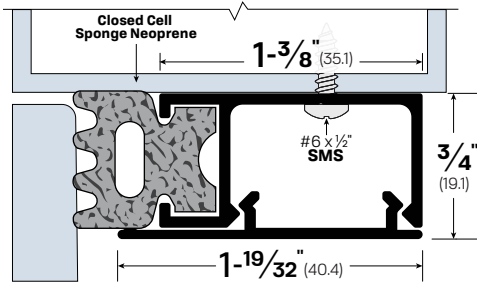
**LIG** - Ligature Resistant    **S-WH** - White Silicone

LEGACY	NGP	PEMKO	ZERO
<b>5001</b>	-	-	100A

Perimeter Seals



### #5074



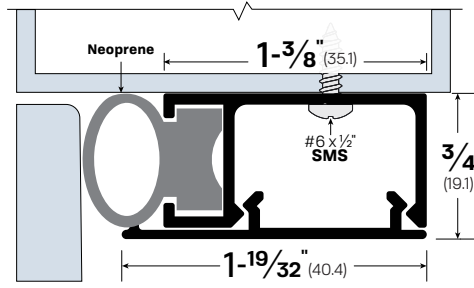
**FINISHES:** MA, MB, WP

**OPTIONS:**

**FOAM** - Foam    **LIG** - Ligature Resistant

LEGACY	NGP	PEMKO	ZERO
<b>5074</b>	-	-	470AA

### #5274

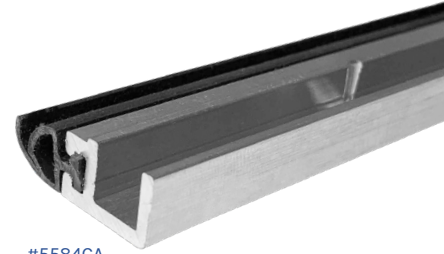


**FINISHES:** MA, MB, WP

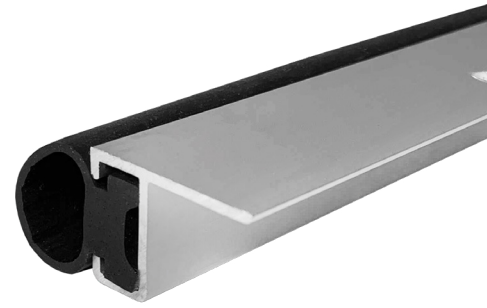
**OPTIONS:**

**FOAM** - Foam    **FX** - Intumescent

LEGACY	NGP	PEMKO	ZERO
<b>5274</b>	-	-	472AA

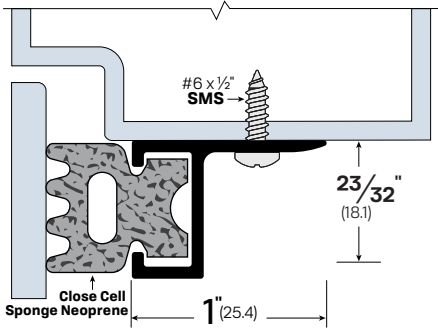


#5584CA



#5072CA

### #5072

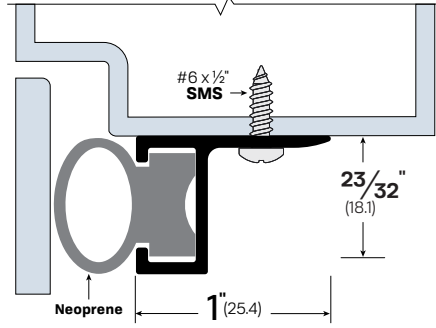


**FINISHES:** MA, DB, MB, WP

**OPTIONS:** **LIG** - Ligature Resistant

LEGACY	NGP	PEMKO	ZERO
<b>5072</b>	108N	285	270A

### #5272

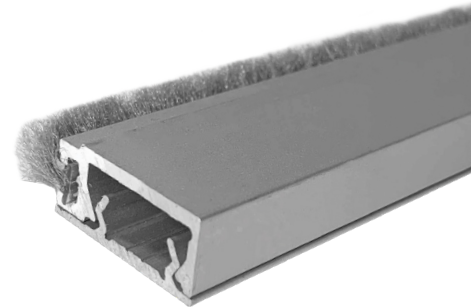


**FINISHES:** MA, DB, MB, WP

**OPTIONS:**

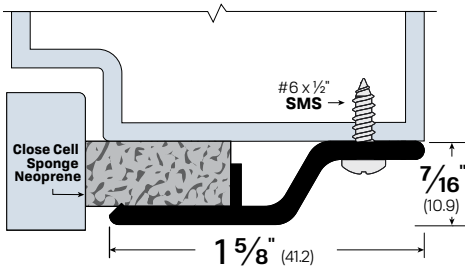
**FX** - Intumescent    **RS** - Ribbon Switch

LEGACY	NGP	PEMKO	ZERO
<b>5272</b>	-	-	272A



#5041CA-FX

### #5041

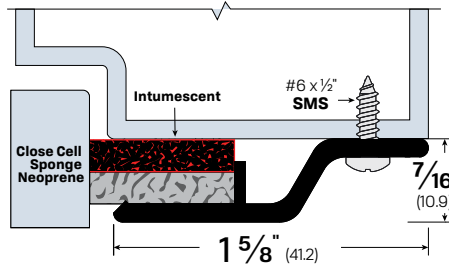


**FINISHES:** CA, DB

**OPTIONS:** **FL** - Fire Label

LEGACY	NGP	PEMKO	ZERO
<b>5041</b>	122N	375AR	140A

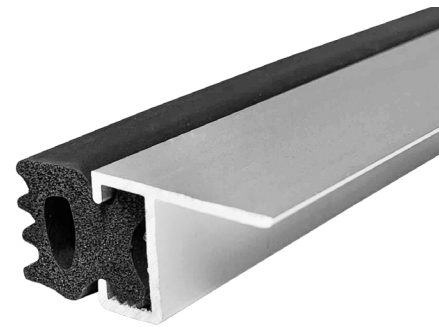
### #5041-FX



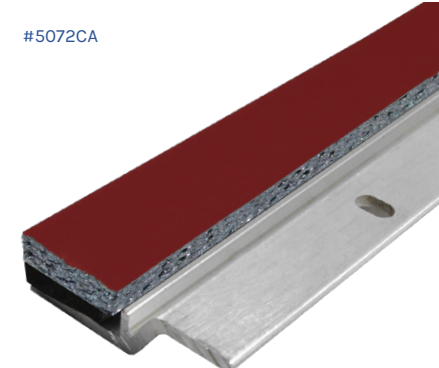
**FINISHES:** CA, DB

**OPTIONS:** **FX** - Intumescent

LEGACY	NGP	PEMKO	ZERO
<b>5041-FX</b>	-	-	140FS



#5072CA



#5041CA-FX

Perimeter Seals