

Acoustical Systems

Experience and precision engineering are paramount in designing high-performance acoustical door assemblies, and nobody scores higher than Legacy on both counts. We extend that expertise to sound door manufacturers interested in collaborating to achieve industry-leading results.

Legacy's OEM program assists manufacturers in designing and building acoustical doors to achieve specific STC ratings. There are three distinct, integrated components to the services we provide:

- Advice on design and construction for your STC-rated doors,
- Consultation on integrating best-value sound-control gasketing to optimize costs and performance, and
- Collaborating on testing the assembly in the lab to achieve published STC ratings.

The first step is understanding your goals and the resources we can provide to help.
Call our engineering department to discuss.

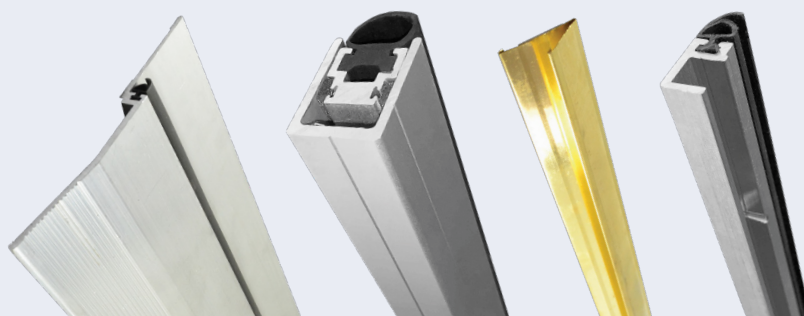
LEGACY ENGINEERING

Local: +1 (718) 292-5333

Toll Free: +1 (888) 383-3330

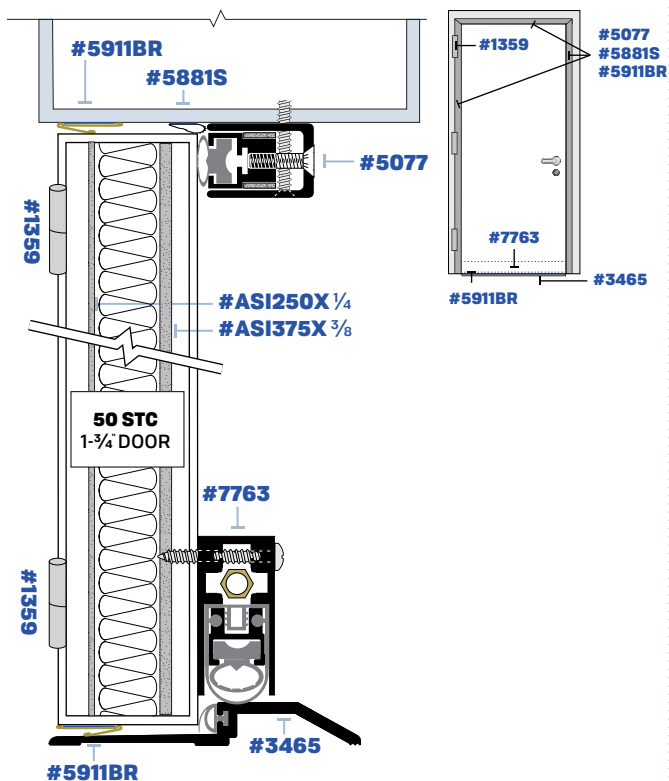
System	Head & Jamb	Door Bottom	Threshold	Door Rating	STC Rating
6049STC	5077, 5911BR, 5881S	7763	3465	50	49
6148STC	5077, B182, 50517S	7763	3665	49	48
6048STC	5077, 5911BR, 5881S, 52408S	7763	3465	50	48
6047STC	5077, B182	7763	3665	49	47
6046STC	5077, 50517S	7763	3665	49	46
6042STC	5077	7763	-	50	42
6142STC	5574	-	3465	50	42
6037STC	5584, 50519S	7553	3465	37	37
6036STC	5584	7553	3465	37	36
6136STC	5584, 5883S	7553, 793	3465	37	36
6236STC	50519S	7153	-	37	36

This representative list shows published STC results for acoustical door assemblies and configurations designed and tested through collaborations between Legacy and OEM partners.



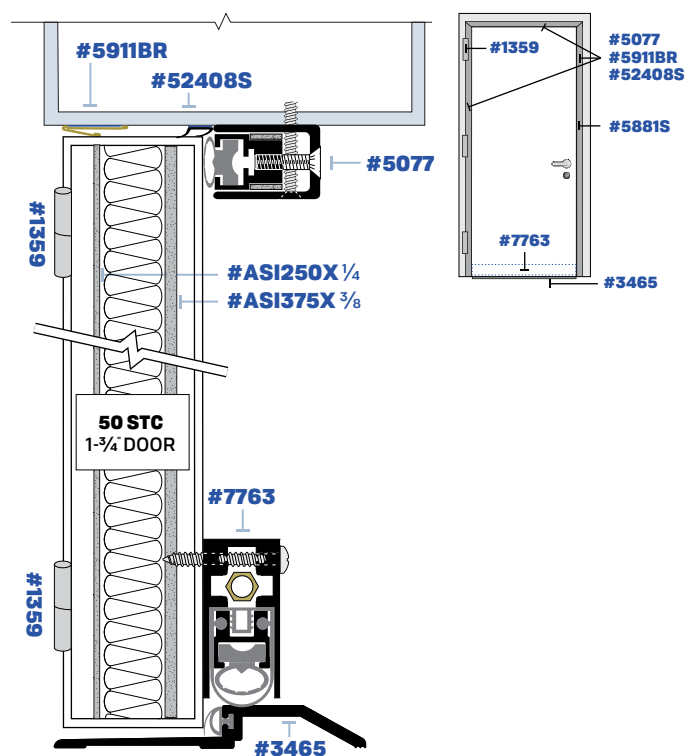
#6049STC

49 STC



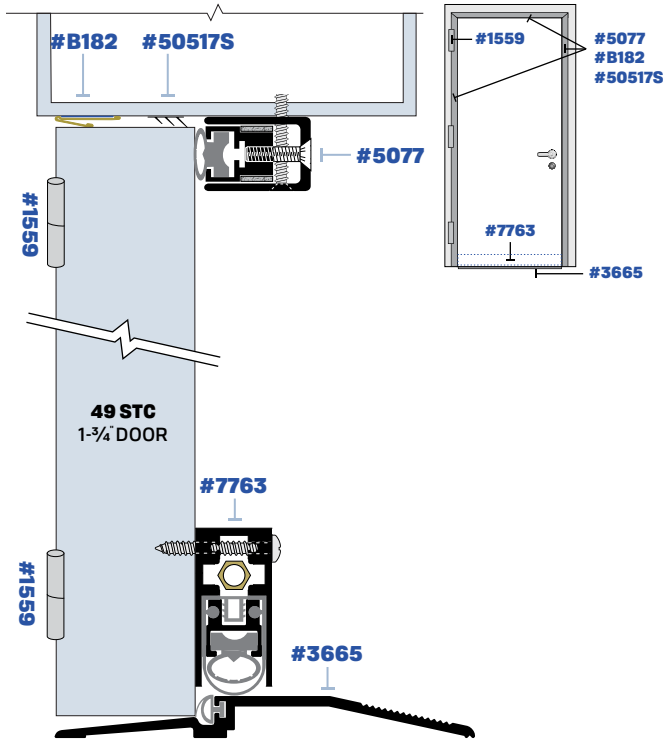
#6048STC

48 STC



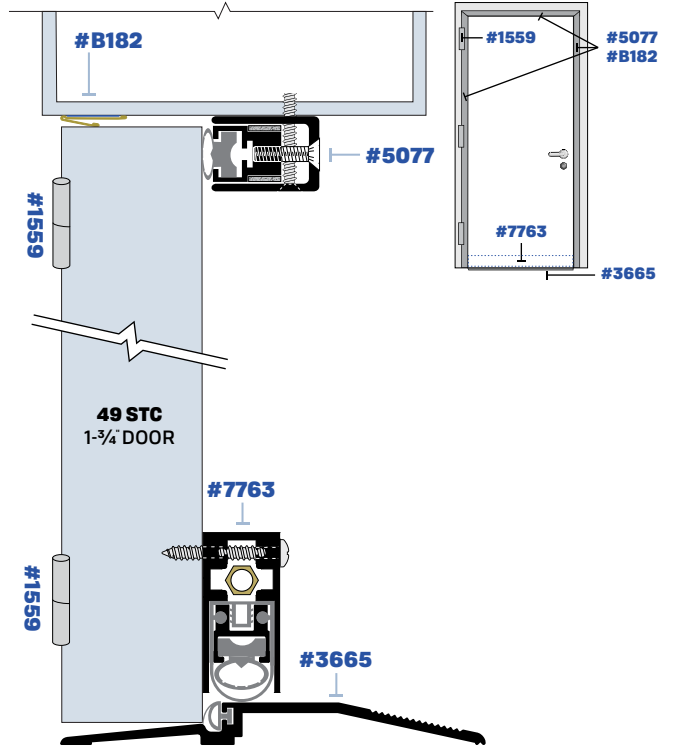
#6148STC

48 STC



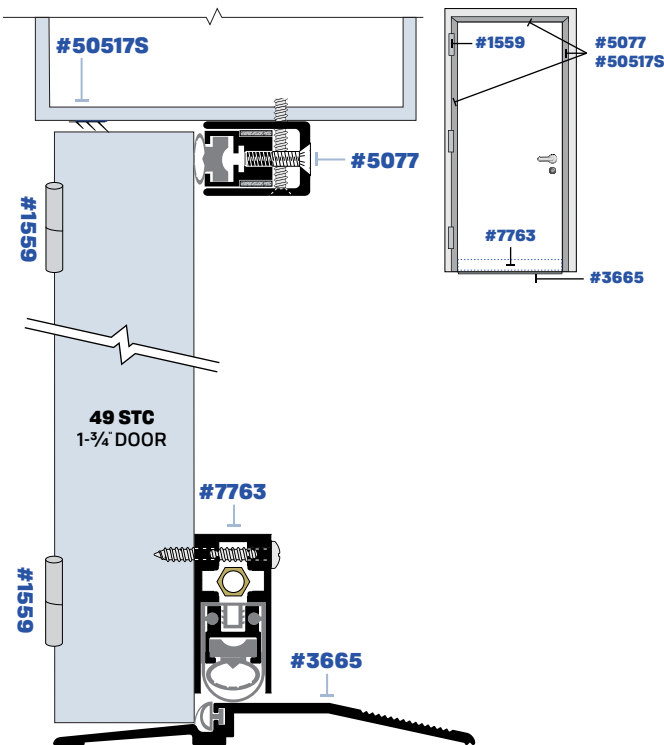
#6047STC

47 STC



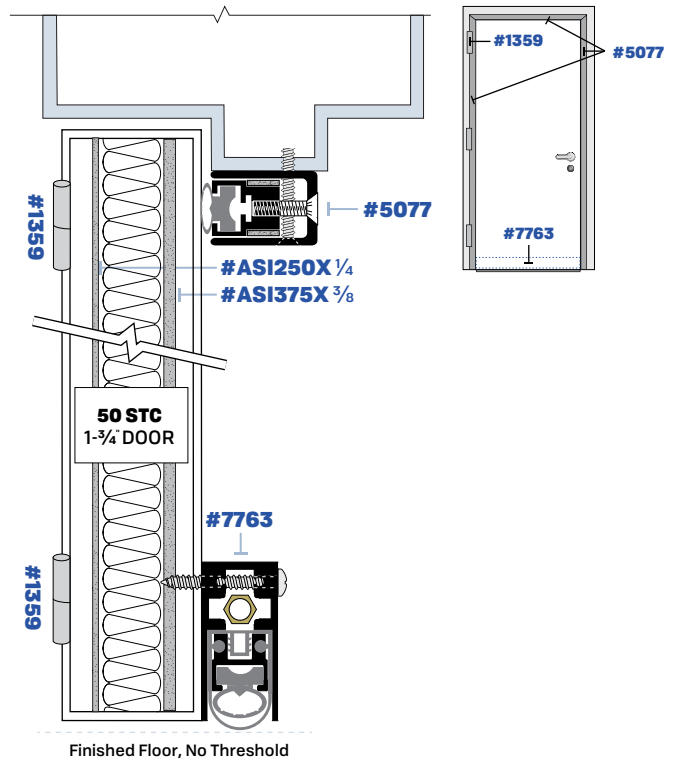
#6046STC

46 STC



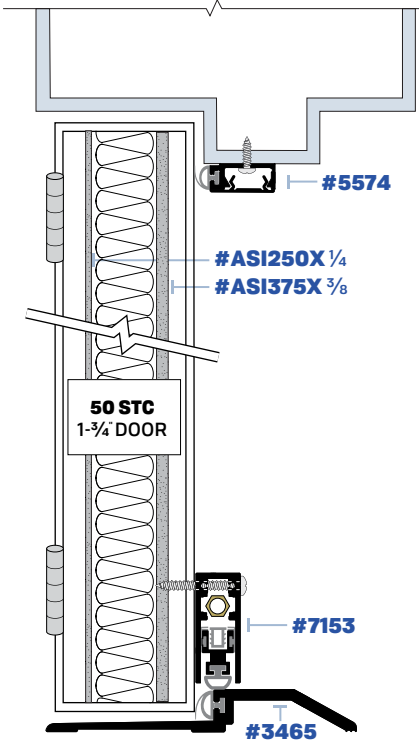
#6042STC

42 STC

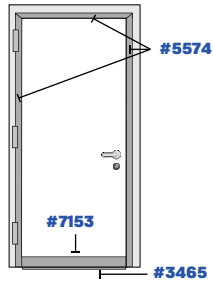


Specialty Solutions

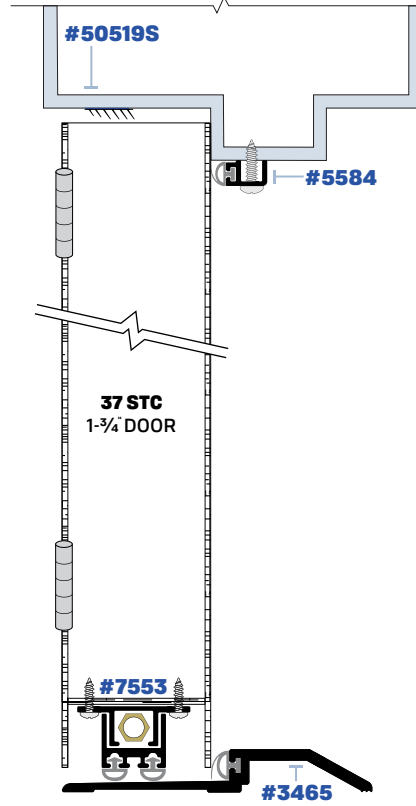
#6142STC



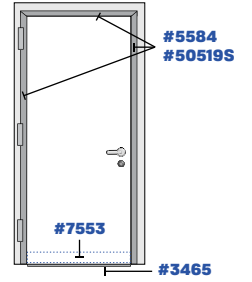
42 STC



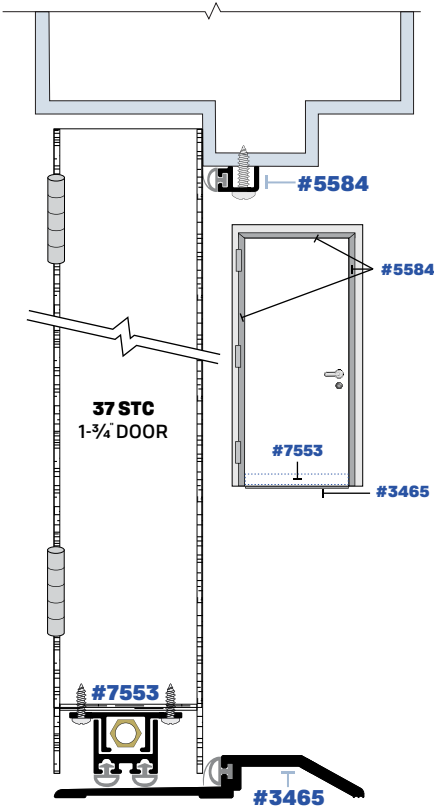
#6037STC



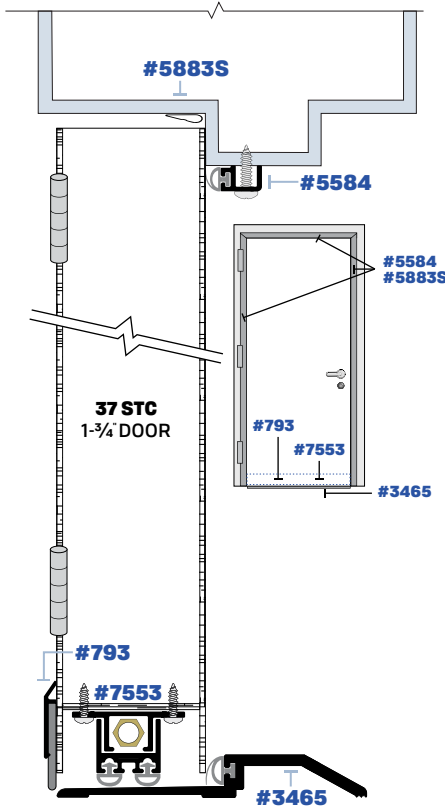
37 STC



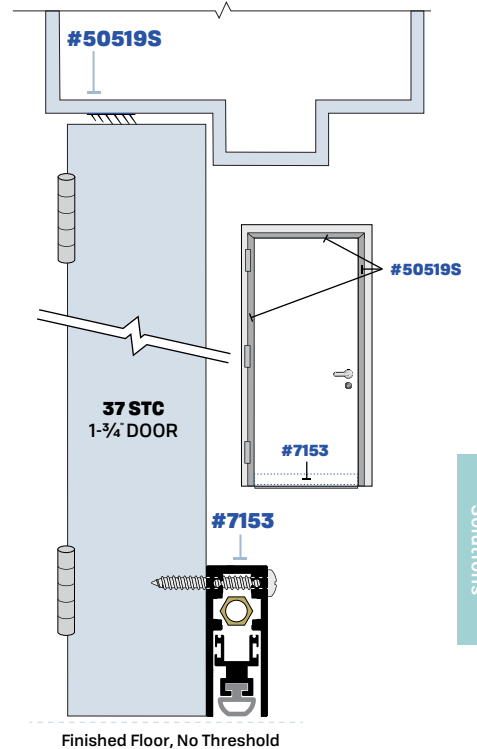
#6036STC 36 STC



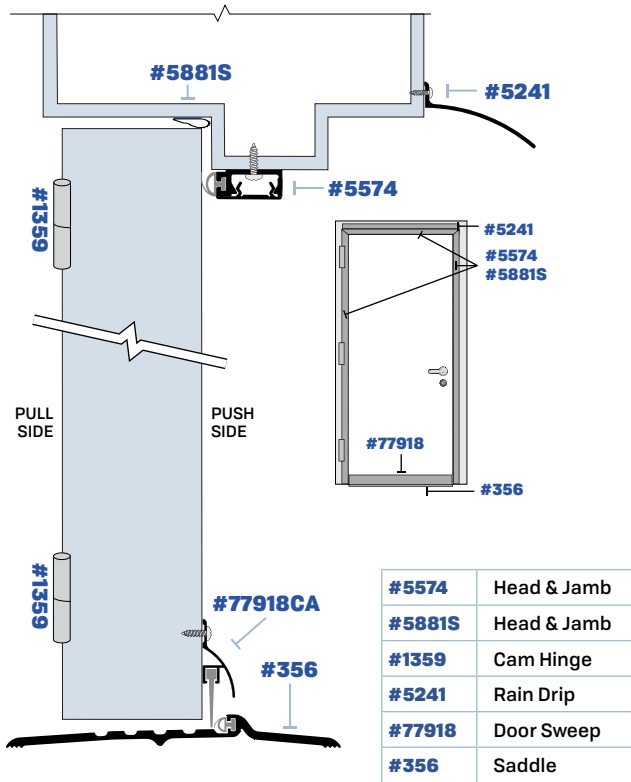
#6136STC 36 STC



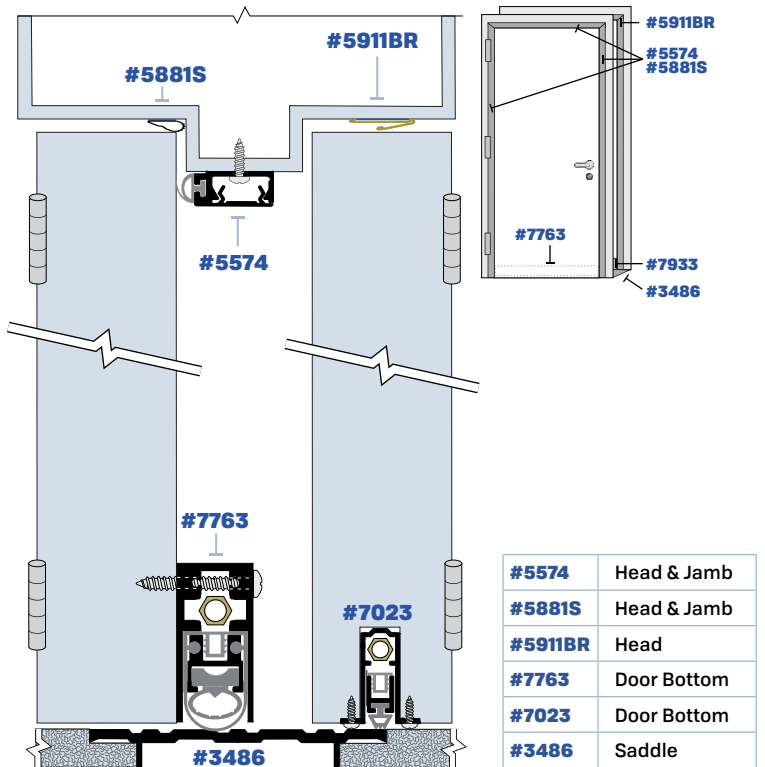
#6236STC 36 STC



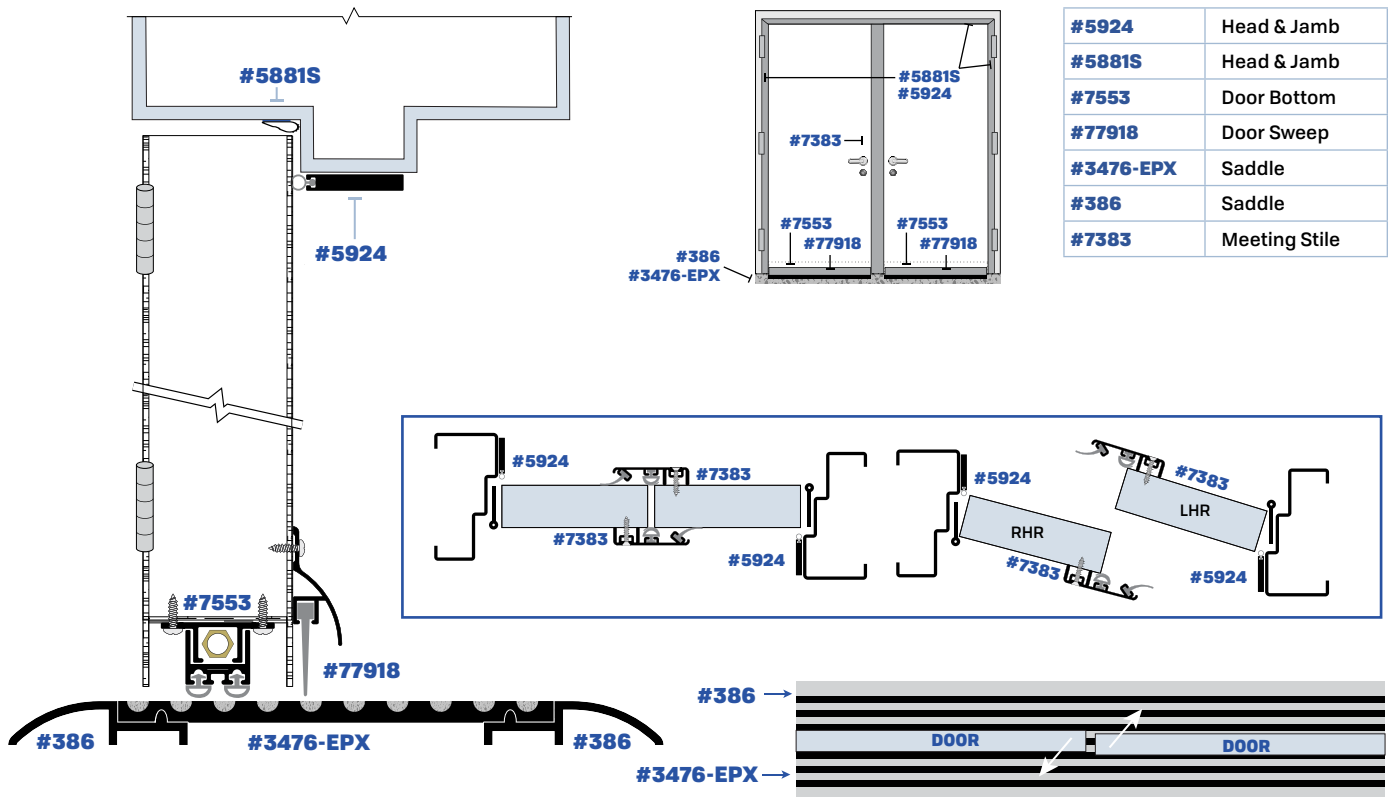
#6010 IN-SWINGING EXTERIOR SYSTEM



#6020 ACOUSTICAL COMMUNICATING SYSTEM

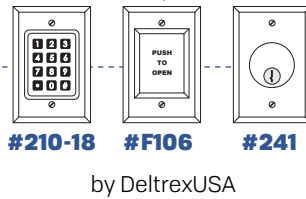
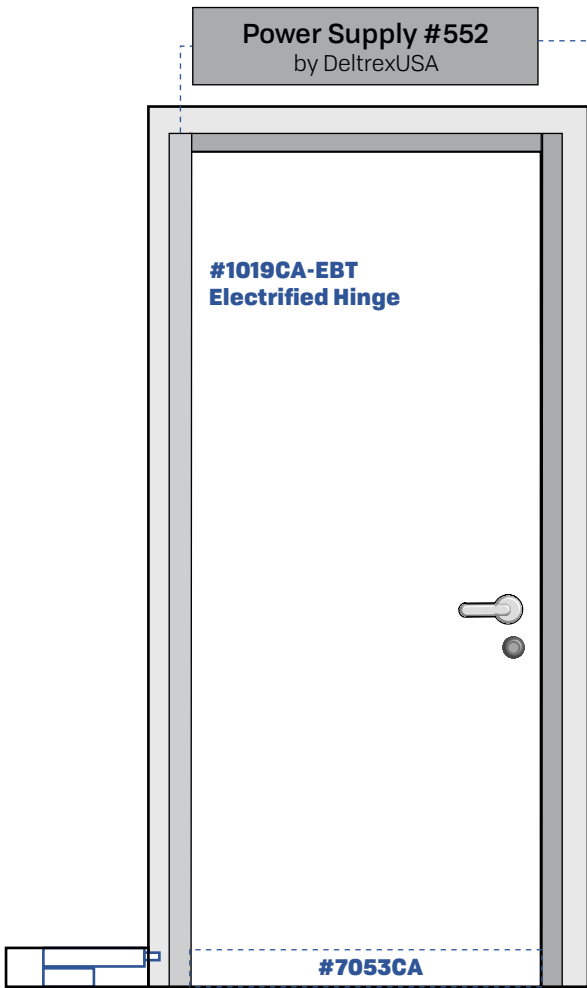


#6011 DOUBLE EGRESS PAIR OF DOORS SYSTEM (HOSPITAL & SCHOOLS)



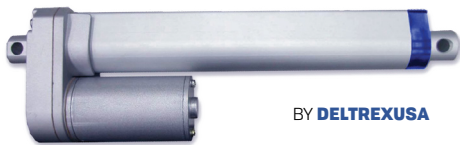
Specialty Solutions

#64EA AUTOMATIC DOOR BOTTOM ON STAND-BY



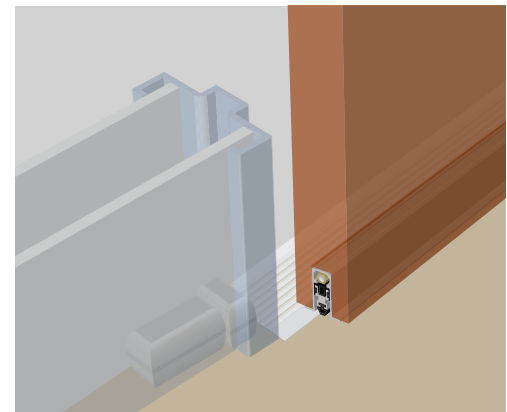
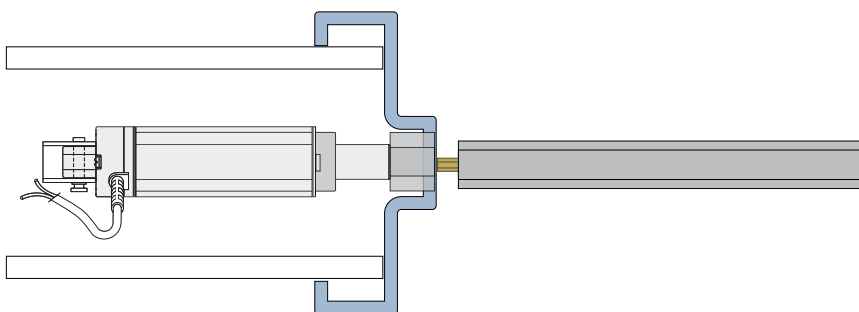
NOTES:

- Power Supply - Part **#552**
- Door Actuator Plate - Part **#F106**



Electrified door bottoms provide a practical solution for doorways to areas that need regular air flow but also require the door to seal during emergencies, such as a fire. Using a switch or push plate provided by Deltrex USA, the door bottom can be activated during such situations to provide a complete, airtight seal.

TOP DOWN VIEW



Nitrile Solutions

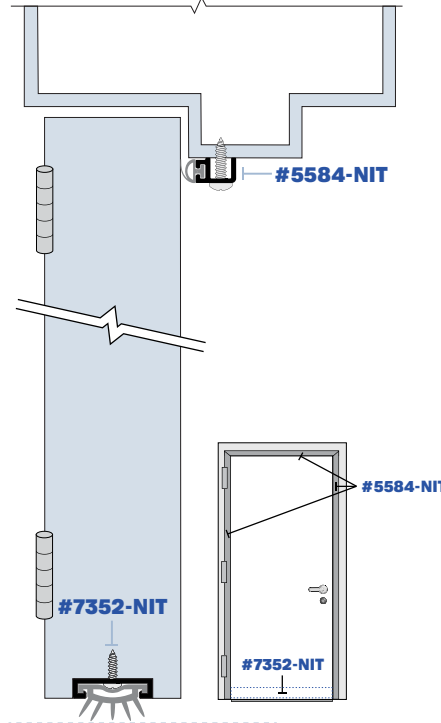
Nitrile rubber is a versatile addition to Legacy's arsenal of formulations for practical sealing solutions. Among its many benefits, nitrile rubber provides good compression set and tensile strength, and is resistant to heat, abrasion and moisture. Its resistance to gas permeability also makes it corrosion-resistant to a long list of chemicals.

Specifying nitrile rubber components can be useful for protecting sealing systems from extreme exposures to corrosive chemicals in medical and industrial applications.

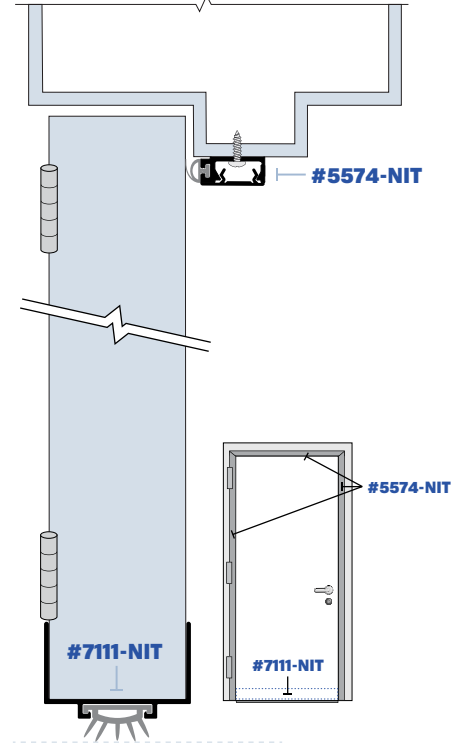
Specify NIT option to order nitrile rubber for these components.

#5574-NIT	Head & Jamb
#5584-NIT	Head & Jamb
#7352-NIT	Door Sweep
#7351-NIT	Door Sweep
#7111-NIT	Door Sweep

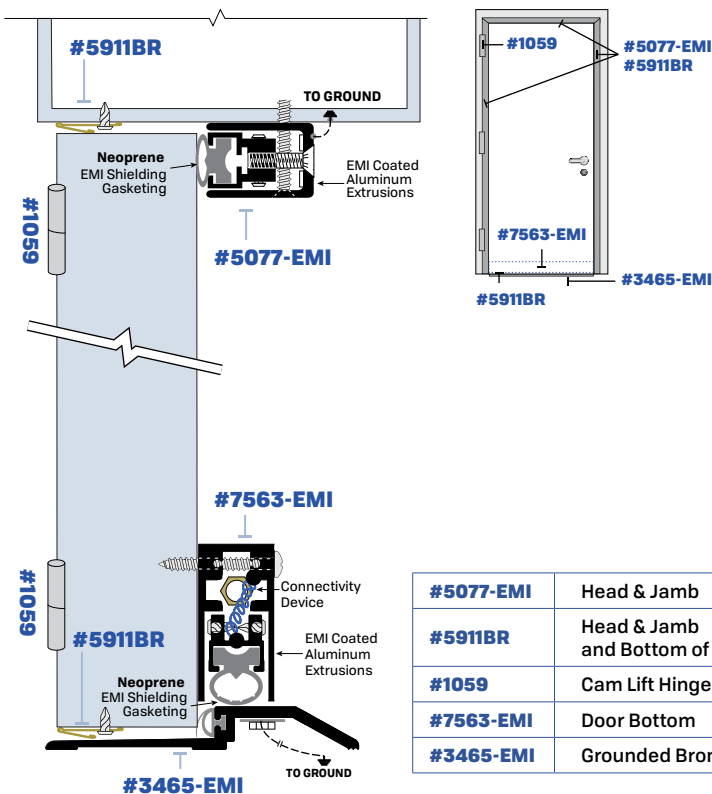
#6050NIT



#6051NIT



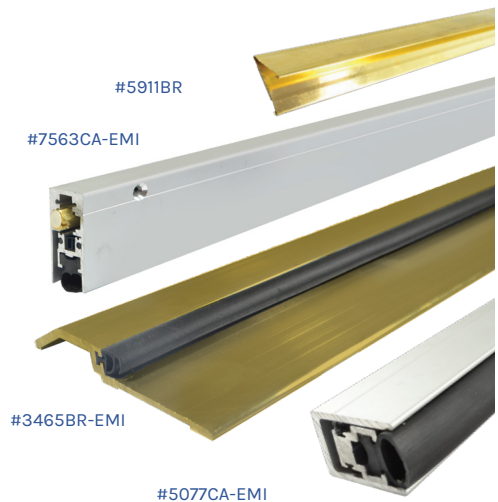
#6090EMI EMI/RFI SEALING SYSTEMS



#5077-EMI	Head & Jamb
#5911BR	Head & Jamb and Bottom of Door
#1059	Cam Lift Hinge
#7563-EMI	Door Bottom
#3465-EMI	Grounded Bronze Threshold

System #6090EMI is one solution available from Legacy for blocking electromagnetic and radio frequency interference in applications such as laboratories, hospitals, brokerage houses, embassies and other facilities using sensitive electronic equipment. We can provide specification assistance for configuring other systems for specific applications. Legacy also offers OEM consultation for developing similar systems.

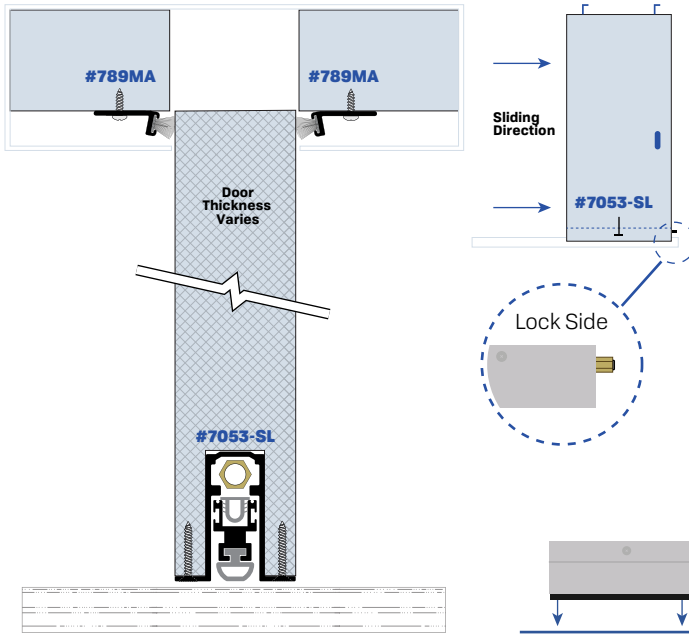
The technology common to these systems provides uninterrupted electrical current to block EMI/RFI transmission. An iridate coating on the aluminum housings in Legacy EMI/RFI systems ensures maximum conductivity around the door gasketing, while solid carbon-filled neoprene rubber gaskets complete the electrical circuit. The #6090EMI system has adjustable features to help ensure a tight seal.



Specialty Solutions

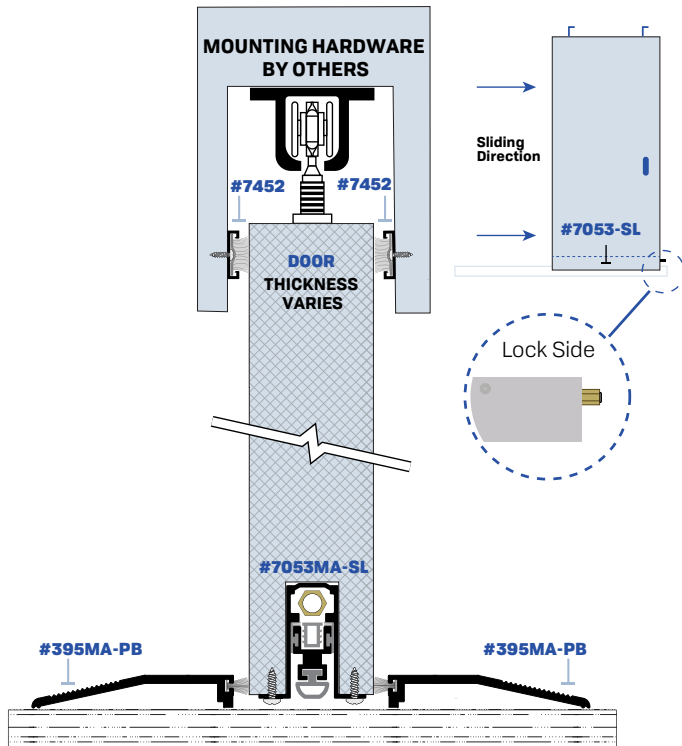
#6030 SLIDING DOOR SYSTEM

Legacy's patent pending automatic door bottom for the sliding door application has a unique low force activation mechanism which allows for more successful operations.

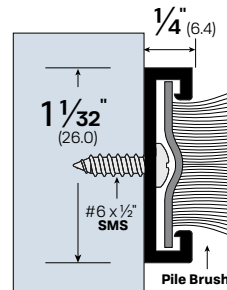


#6040 POCKET LATCH SYSTEM

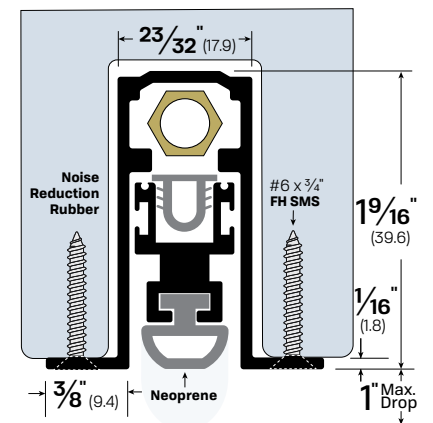
Legacy's patent pending automatic door bottom for the pocket latch application has a unique low force activation mechanism which allows for more successful operations.



#7452



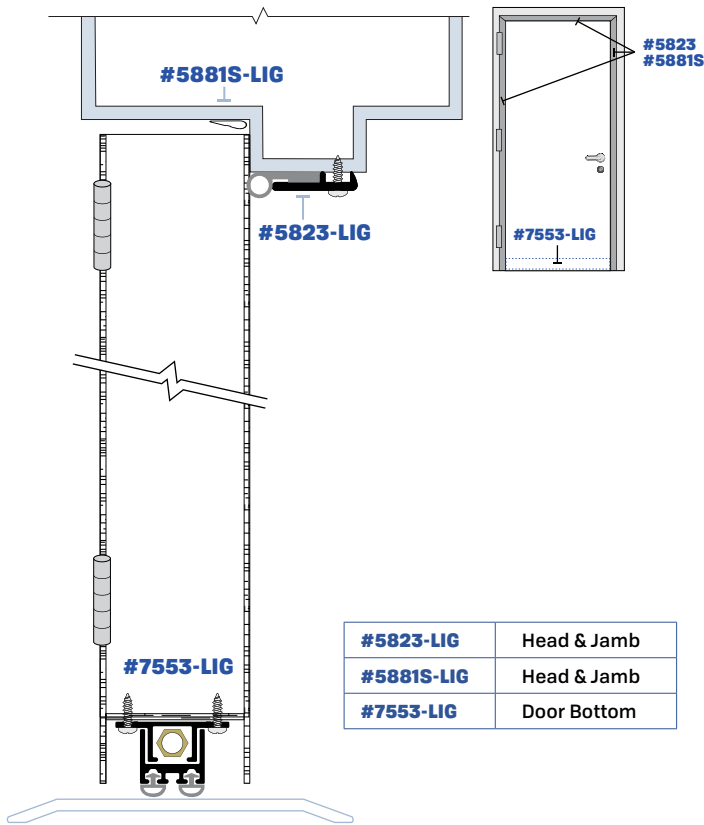
#7053-SL



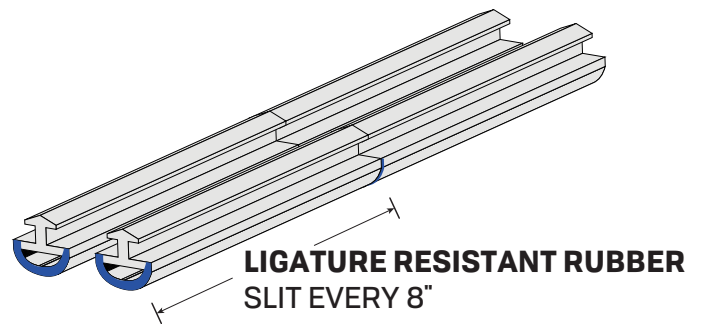
#395-PB



#6060 LIGATURE RESISTANT SYSTEM

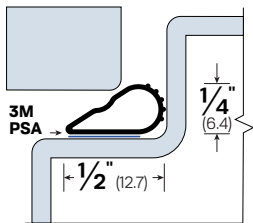


#5823-LIG	Head & Jamb
#5881S-LIG	Head & Jamb
#7553-LIG	Door Bottom

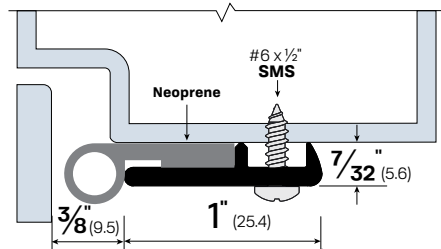


Gasketing is notched at 8-inch intervals so it will break into pieces if removed from extrusions or aluminum housing for any reason. Common applications are prisons and psychiatric facilities.

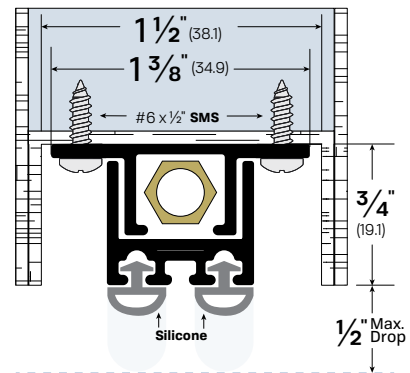
#5881S-LIG



#5823-LIG



#7553MA-LIG

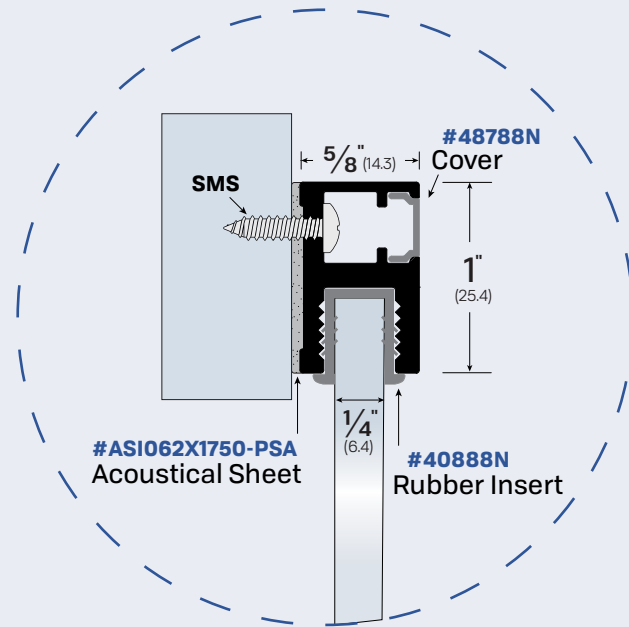
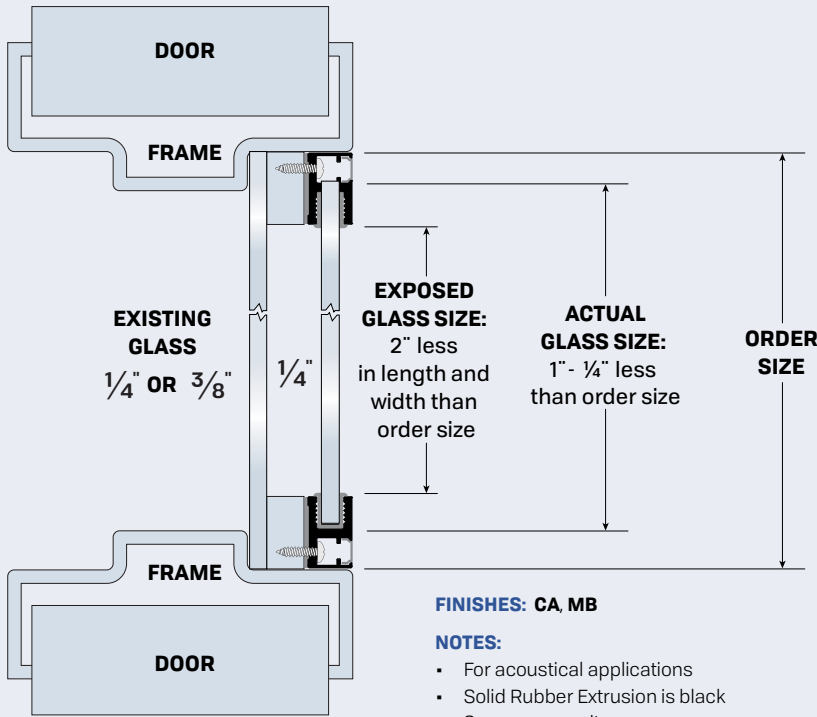


Ligature-resistant products are typically used in hospitals, psychiatric facilities and detention centers.



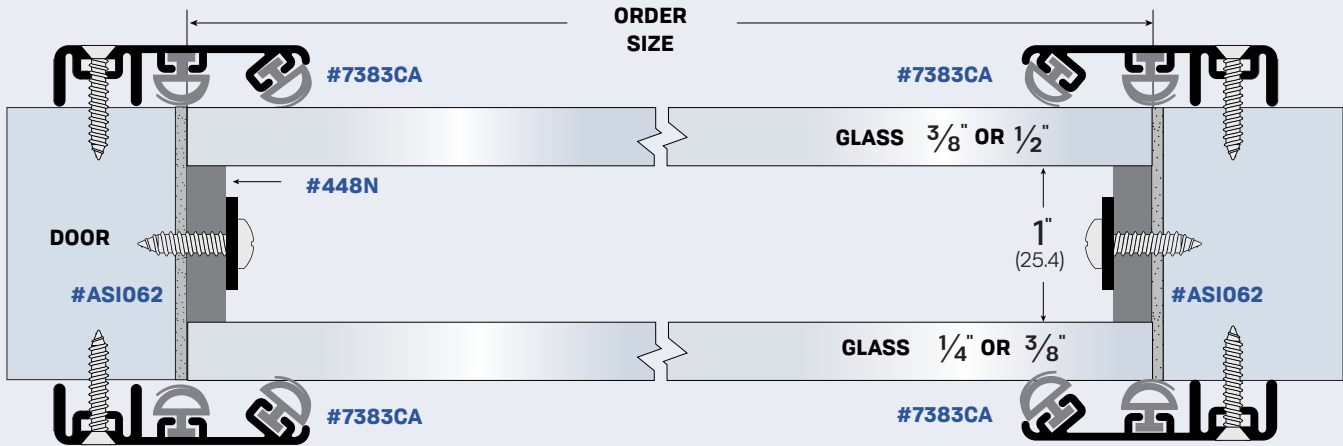
Specialty Solutions

#50888 ACOUSTICAL VISION (1-3/4" DOORS)



- FINISHES:** CA, MB
- NOTES:**
- For acoustical applications
 - Solid Rubber Extrusion is black
 - Snap-on security cover
 - Panhead screw #6 x 1/2" supplied

#6384 ACOUSTICAL VISION (2-1/8" DOORS OR GREATER)



- FINISHES:** CA, MB
- NOTES:**
- Please specify thickness of the door when ordering.
 - Acoustical Composite Sheet (ASI) by Legacy provides sound absorption between glass plates.
 - Glass plates with two different thicknesses required to minimize sound transmission.
 - Sound control performance on this opening may achieve up to 44STC.
 - Glass to be supplied by other manufacturers.
 - #7383 corners are standard mitered cut.

Specialty
Solutions