

How To Order: Hinges

Example #1019CA-HD-72

PART NUMBER & **FINISH** - **OPTIONS** - **LENGTH**
 1019 CA - HD - 84

PART #	115	1179	1479
	1019	1279	1559
	1027	1359	10059
	1059	1379	

FINISH
 Finishes vary by product. Please check available finishes listed for each product.
CA - Clear Anodized
DB - Dark Bronze Anodized
MB - Matte Black Powder Coat
SS - Stainless Steel

OPTIONS
 Options vary by product. Please check available options listed for each product.
Blank - No Option **HD** - Heavy Duty **RH** - Right-Handed
CE - Concealed Electric **HT** - Hospital Tip **SF** - Security Fasteners
EPT - Electrical Power Transfer **LH** - Left-Handed **ST** - School Tip

LENGTH For #1019: Please specify to nearest 1/16". For all Cam Lift and # 1027, Specify each (EA).

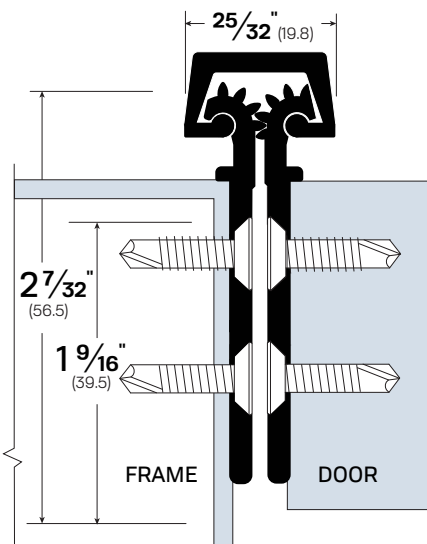


#1059SS



#1019CA

#1019 FULL MORTISED CONTINUOUS HINGE



Designed for smooth, effortless door swing, our Continuous Door Hinge System integrates two extruded aluminum "geared" segments in a cover channel, with support bearings of long-wearing, self-lubricating Delrin™ which absorb shock and distribute weight evenly. The hinge rotates a full 180 degrees. Well suited for both new and retrofit construction, the tamper-proof continuous hinge performs effectively on doors up to nine feet. Constructed from heavy-gauge aluminum, both models are offered in a choice of two finishes.

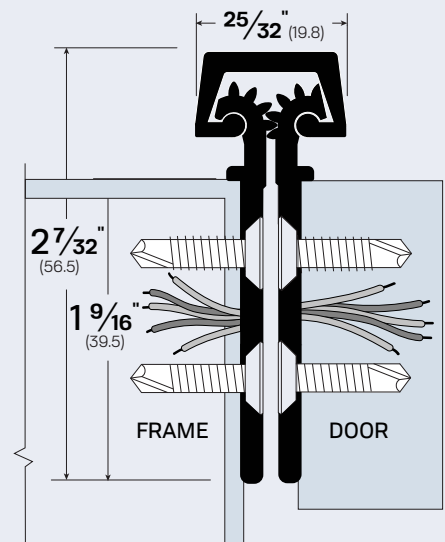
FINISHES: CA, DB
OPTIONS: HD, EPT, CE, HT, ST, SF

- NOTES:**
- Grey color
 - 16 hinges for standard hinge (approx. double for HD option -- see p.94)
 - Door/ frame reinforcements are not required in most applications
 - 5/16" clearance on square edge door, 3/8" clearance on beveled door



LEGACY	NGP	PEMKO	ZERO
1019	HD1100	FMSLE-HD1	-

#1027 ELECTRIFIED HINGE



FINISHES: CA, DB

- NOTES:**
- Power Transfer Technology
 - 26-gauge
 - 6 wire standard, 8 wire optional
 - Tamper-resistant
 - Weather-resistant

NO COMPETITOR EQUIVALENTS

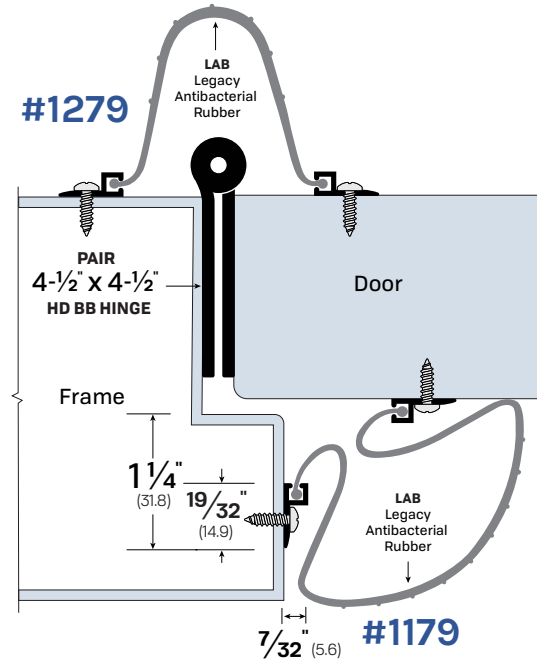
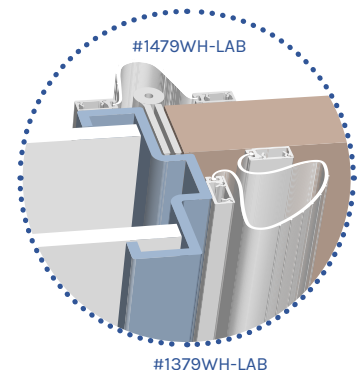
Specialty Hinges



The flexible rubber sheathing in these product protects fingers and hands from being crunched in applications such as schools, child care centers, workplaces and other high-traffic commercial installations. Solid neoprene rubber is used for mountings, which can also be concealed for additional protection.

Antibacterial properties in the proprietary rubber used for the sheathing also make Legacy Finger Guard Protection suitable for environments demanding high standards of hygiene. Ideal applications include: hospitals, nursing homes, and doctors' offices.

Can be installed in new and retrofit applications.



#1279

FINISHES: CA, MB, WP

NOTES: Legacy Anti-Bacterial Rubber is white.

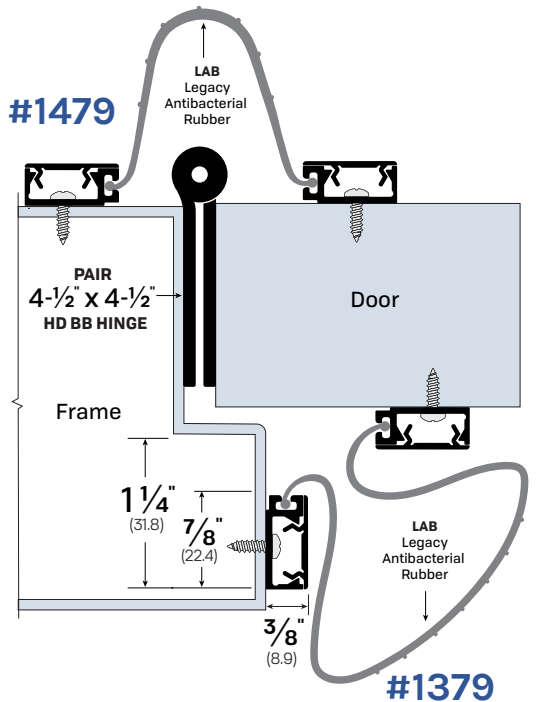
LEGACY	NGP	PEMKO	ZERO
1279	2252	-	972

#1179

FINISHES: CA, MB, WP

NOTES: Legacy Anti-Bacterial Rubber is white.

LEGACY	NGP	PEMKO	ZERO
1179	-	-	971



#1479

FINISHES: CA, MB, WP

NOTES: Legacy Anti-Bacterial Rubber is white.

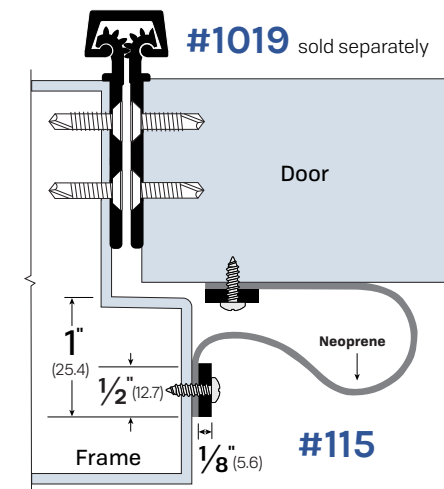
LEGACY	NGP	PEMKO	ZERO
1479	2252	-	974

#1379

FINISHES: CA, MB, WP

NOTES: Legacy Anti-Bacterial Rubber is white.

LEGACY	NGP	PEMKO	ZERO
1379	-	-	973



#115

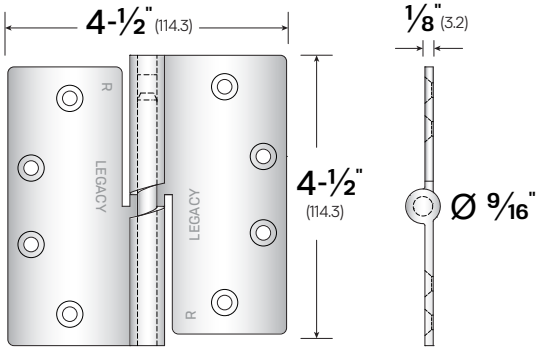
FINISHES: CA, MB, WP

NOTES: N (Solid Neoprene) is black.

LEGACY	NGP	PEMKO	ZERO
115	-	-	51

Specialty Hinges

#1559  



FINISHES:

SS - Stainless Steel **MB** - Matte Black Powder Coat

OPTIONS:

RH - Right-Handed **LH** - Left-Handed

NOTES:

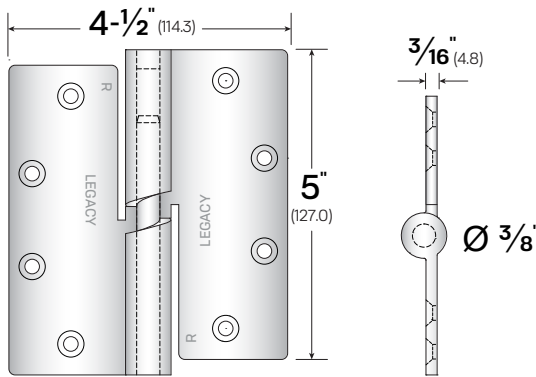
- **Example Order:** #1559SS-RH
- **Door Rating** (1-1/2 pairs): Up to 200 lbs.
- **Screw Size** (Metal Doors): 12-24 x 3/4"
- **Lift** (180° opening): 3/16"
- Includes all machine screws (24), and 1/2 wood screws (12)
- All hinges are ANSI template

LEGACY	NGP	PEMKO	ZERO
1559	-	-	Z955



Designed for sound-rated and other heavy doors up to 900 pounds. Manufactured from high precision stainless steel casting, the cam lift hinge provides a smooth drop over a rotation of 180 degrees for superior sealing performance. Available for right or left-hand swinging doors. Sold in pairs. Please refer to each individual part for rating details.

#1359  



FINISHES:

SS - Stainless Steel **MB** - Matte Black Powder Coat

OPTIONS:

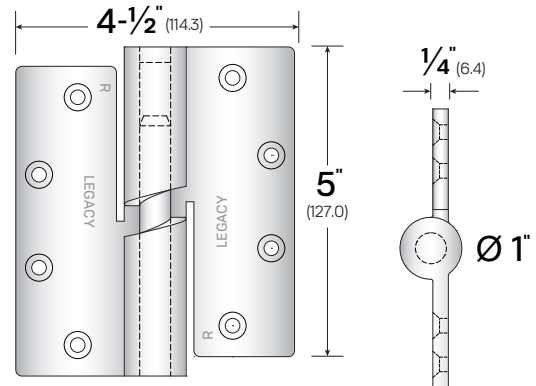
RH - Right-Handed **LH** - Left-Handed

NOTES:

- **Example Order:** #1359MB-RH
- **Door Rating** (1-1/2 pairs): Up to 300 lbs.
- **Screw Size** (Metal Doors): 12-24 x 3/4"
- **Lift** (180° opening): 1/4"
- Includes all machine screws (24), and 1/2 wood screws (12)
- All hinges are ANSI template

LEGACY	NGP	PEMKO	ZERO
1359	-	-	Z953

#1059  



FINISHES:

SS - Stainless Steel **MB** - Matte Black Powder Coat

OPTIONS:

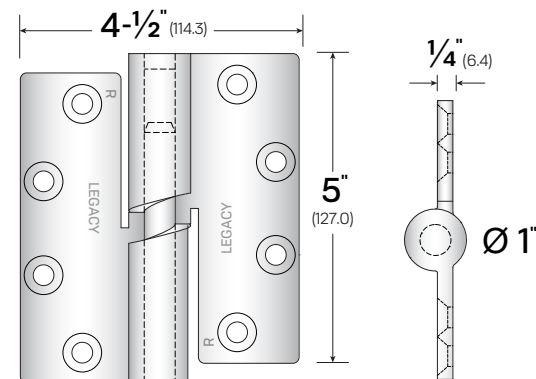
RH - Right-Handed **LH** - Left-Handed

NOTES:

- **Example Order:** #1059SS-LH
- **Door Rating** (1-1/2 pairs): Up to 500 lbs.
- **Screw Size** (Metal Doors): 12-24 x 3/4"
- **Lift** (180° opening): 5/16"
- Includes all machine screws (24), and 1/2 wood screws (12)
- All hinges are ANSI template

LEGACY	NGP	PEMKO	ZERO
1059	-	-	Z950

#10059  



FINISHES:

SS - Stainless Steel **MB** - Matte Black Powder Coat

OPTIONS:

RH - Right-Handed **LH** - Left-Handed

NOTES:

- **Example Order:** #10059SS-LH
- **Door Rating** (1-1/2 pairs): Up to 900 lbs.
- **Screw Size** (Metal Doors): 5/16"-18 x 3/4"
- **Lift** (180° opening): 5/16"
- Includes all machine screws (24), and 1/2 wood screws (12)
- All hinges are ANSI template

LEGACY	NGP	PEMKO	ZERO
10059	-	-	Z9500

Specialty Hinges