

How To Order: Door Sweeps

EXAMPLE #7823CA-LIG-36

Easy Ways To Order

Email

Orders@LegacyLLC.com

Phone

Local: +1 (718) 292-5333
Toll Free: +1 (888) 383-3330

Fax

+1 (888) 383-3330

PART NUMBER & FINISH - OPTIONS - LENGTH

7823

CA

LIG

36

PART #

- 711 7583
- 712 7752
- 718 7774
- 735 7823
- 739 7835
- 759 7836
- 769 7852
- 779 7891
- 793 7923
- 799 7933
- 5241 7936
- 7011 7991
- 7111 71518
- 7112 71918
- 7115 72918
- 7175 73918
- 7178 74453
- 7183 74918
- 7283 76453
- 7351 77918
- 7352 78918
- 7451 79418
- 7452 79408N
- 7552 7W933

FINISH

Finishes vary by product. Please check available finishes listed for each product.

- BR** - Architectural Bronze
- CA** - Clear Anodized
- DB** - Dark Bronze Anodized
- MA** - Mill Aluminum
- MB** - Matte Black Powder Coat
- SS** - Stainless Steel
- WP** - White Powder Coat

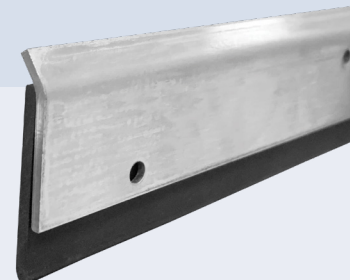
OPTIONS

Options vary by product. Please check available options listed for each product.

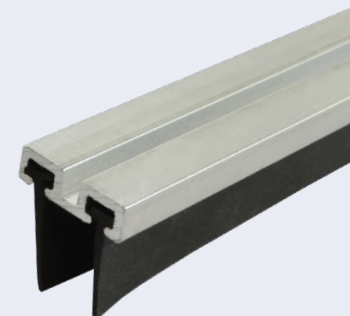
- Blank** - No Option
- AIR** - Air Flow
- FL** - Fire Label
- LIG** - Ligature Resistant
- NIT** - Nitrile Extrusion
- ORB** - Oil-Rubbed Bronze
- POL** - Polished Bronze
- PSA** - Pressure Sensitive Adhesive
- SF** - Security Fasteners

LENGTH

Please specify to nearest 1/16"



#7933SS



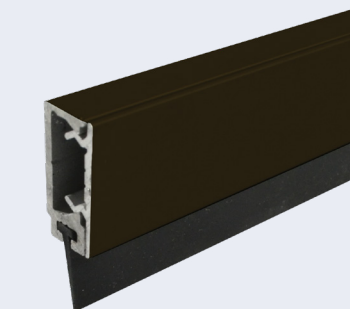
#7183MA



#7452MB



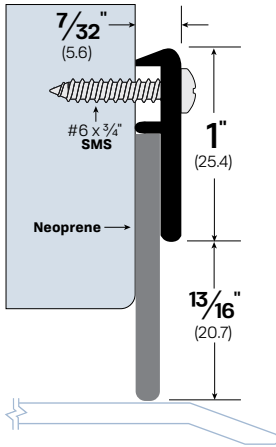
#799MA



#7774DB

Door Sweeps

#7933



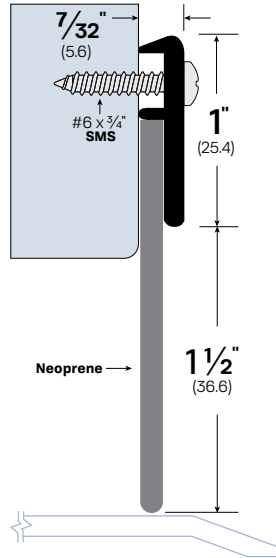
FINISHES: BR, CA, DB, MB, WP

OPTIONS:

- FL** - Fire Label **POL** - Polished Bronze
- LIG** - Ligature Resistant **SF** - Security Fasteners
- ORB** - Oil-Rubbed Bronze

LEGACY	NGP	PEMKO	ZERO
7933	198A	321N	339AA

#7W933



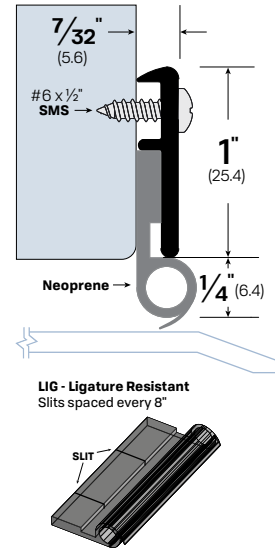
FINISHES: BR, CA, DB, MB, WP

OPTIONS:

- FL** - Fire Label **POL** - Polished Bronze
- LIG** - Ligature Resistant **SF** - Security Fasteners
- ORB** - Oil-Rubbed Bronze

LEGACY	NGP	PEMKO	ZERO
7W933	197A	-	339WA

#7623



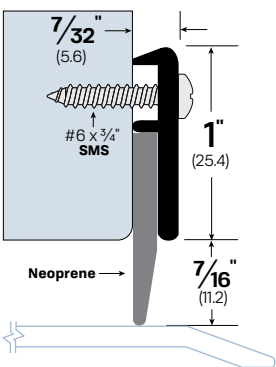
FINISHES: BR, CA, DB, MB, WP

OPTIONS:

- FL** - Fire Label **POL** - Polished Bronze
- LIG** - Ligature Resistant **SF** - Security Fasteners
- ORB** - Oil-Rubbed Bronze

LEGACY	NGP	PEMKO	ZERO
7623	137A	319N	326AA

#7923



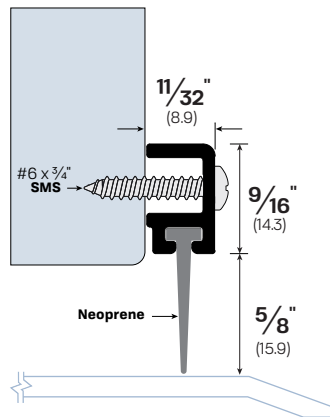
FINISHES: BR, CA, DB, MB, WP

OPTIONS:

- BR** - Architectural Bronze **POL** - Polished Bronze
- ORB** - Oil-Rubbed Bronze **SF** - Security Fasteners

LEGACY	NGP	PEMKO	ZERO
7923	198A	-	329AA

#7583



FINISHES: MA, MB, WP

OPTIONS:

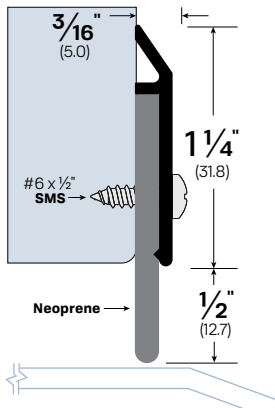
- FL** - Fire Label
- SF** - Security Fasteners

LEGACY	NGP	PEMKO	ZERO
7583	-	-	-



Door Sweep #7933CA mounted to a door.

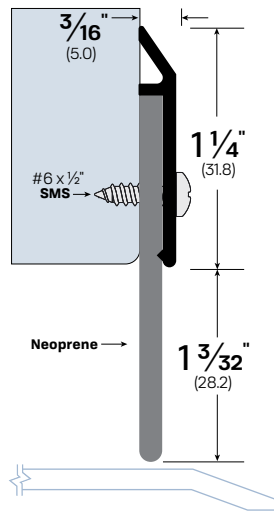
#793



FINISHES: MA, MB, WP, SS
OPTIONS: SF - Security Fasteners

LEGACY	NGP	PEMKO	ZERO
793	200N	315CN	39A

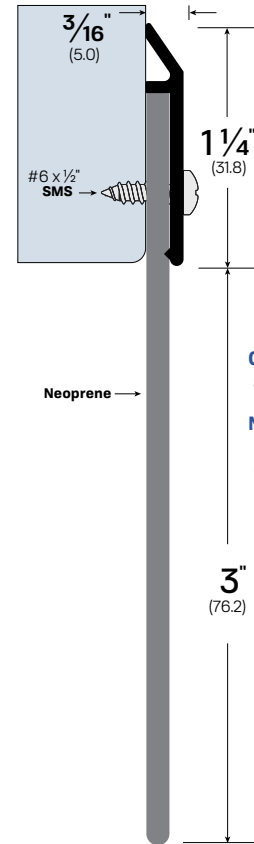
#7836



FINISHES: MA, MB, WP, SS
OPTIONS: SF - Security Fasteners

LEGACY	NGP	PEMKO	ZERO
7836	199N	315KN	39WA

#7936

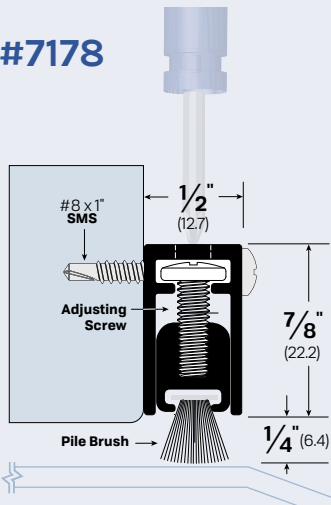


FINISHES: MA, MB, WP, SS
OPTIONS: SF - Security Fasteners
NOTES: Perfect for oversized gaps

LEGACY
7936
NGP
-
PEMKO
-
ZERO
639AA

ADJUSTABLE DOOR SWEEPS

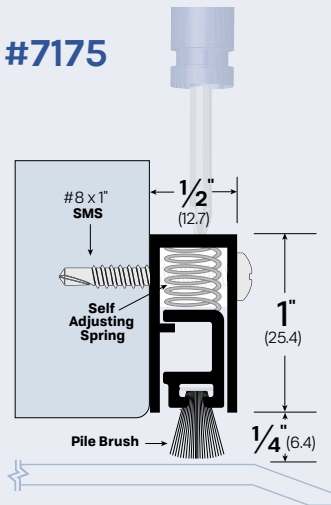
#7178



FINISHES: CA, DB, MB, WP
OPTIONS: SF - Security Fasteners

LEGACY	NGP	PEMKO	ZERO
7178	140P	-	871AA

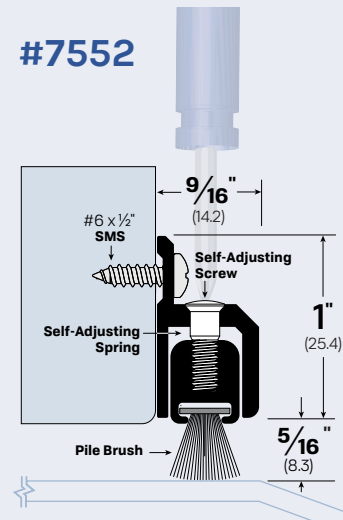
#7175



FINISHES: CA, DB, MB, WP
OPTIONS: SF - Security Fasteners

LEGACY	NGP	PEMKO	ZERO
7175	-	-	571AA

#7552



FINISHES: CA, MB, WP
OPTIONS: SF - Security Fasteners

LEGACY	NGP	PEMKO	ZERO
7552	140P	351CP	255A



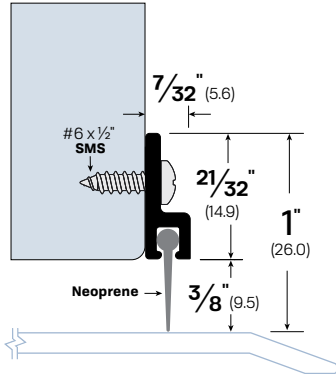
Door Sweep #74918 mounted to a pair of doors.



#72918CA

#73918CA

#74918



FINISHES: CA, DB, MB, WP

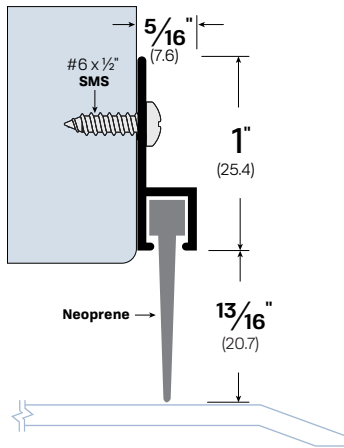
OPTIONS:

FL - Fire Label **SF** - Security Fasteners

PSA - Pressure Sensitive Adhesive

LEGACY	NGP	PEMKO	ZERO
74918	115N	308APK	8194AA

#71918

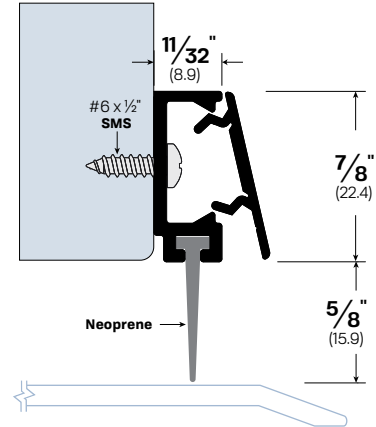


FINISHES: CA, MB, WP

OPTIONS: **SF** - Security Fasteners

LEGACY	NGP	PEMKO	ZERO
71918	97V	307	8191AA

#7774



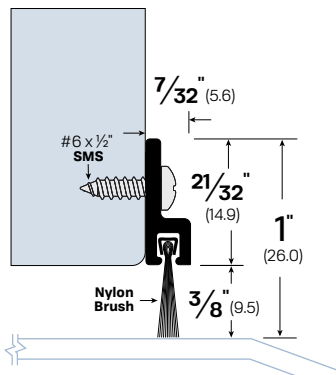
FINISHES: CA, DB

OPTIONS: **FL** - Fire Label

NOTES: End caps available by request #474CA-EC

LEGACY	NGP	PEMKO	ZERO
7774	678	29326	477AA

#73918



FINISHES: CA, DB, MB, WP

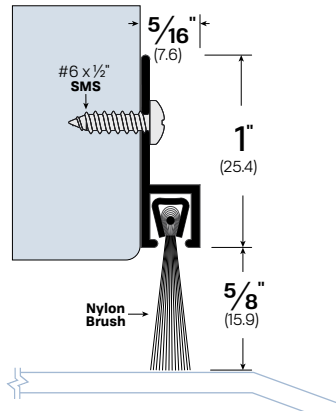
OPTIONS:

SF - Security Fasteners

PSA - Pressure Sensitive Adhesive

LEGACY	NGP	PEMKO	ZERO
73918	A605	18041CNB	8193AA

#72918



FINISHES: CA, MB, WP

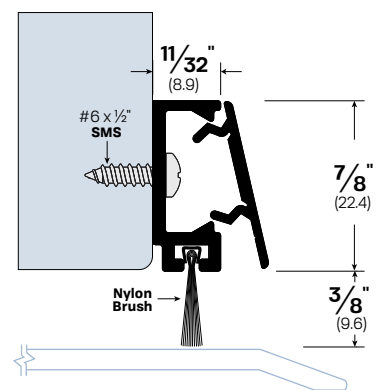
OPTIONS:

PSA - Pressure Sensitive Adhesive

SF - Security Fasteners

LEGACY	NGP	PEMKO	ZERO
72918	C607	18061ANB	8192AA

#718

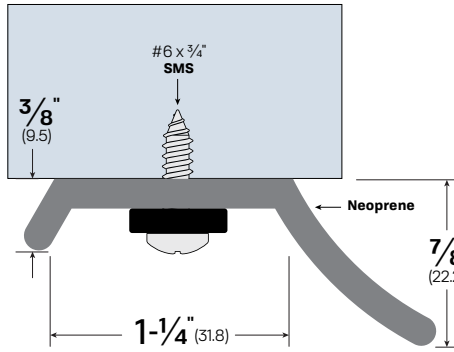


FINISHES: CA, DB

NOTES: End caps available by request #474CA-EC

LEGACY	NGP	PEMKO	ZERO
718	672	-	-

#79408N

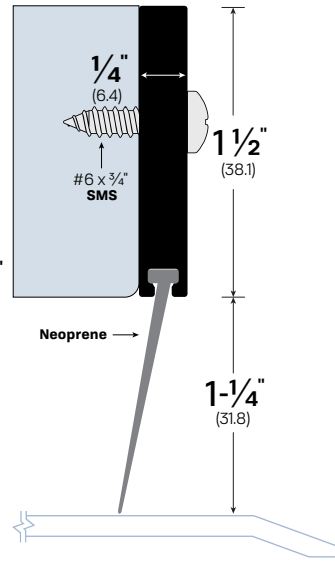


FINISHES: MA, SS

OPTIONS: SF - Security Fasteners

LEGACY	NGP	PEMKO	ZERO
79408N	-	-	8049R

#759

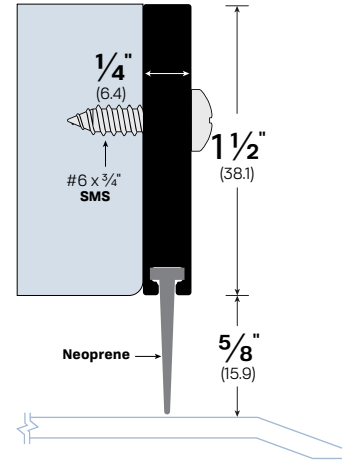


FINISHES: MA, MB, WP

OPTIONS: SF - Security Fasteners

LEGACY	NGP	PEMKO	ZERO
759	-	-	95AA

#779

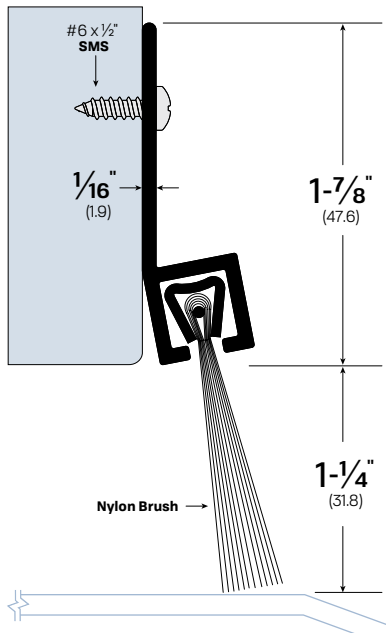


FINISHES: MA, MB, WP

OPTIONS: SF - Security Fasteners

LEGACY	NGP	PEMKO	ZERO
779	-	-	-

#769

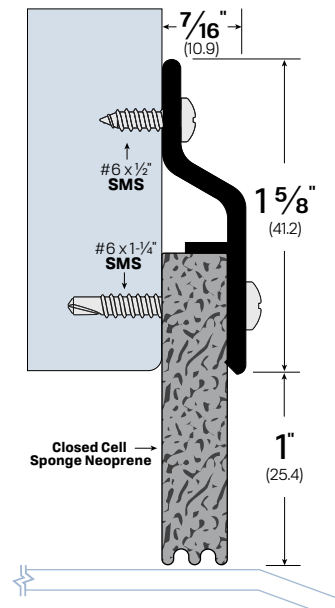


FINISHES: MA, MB, WP

OPTIONS: SF - Security Fasteners

LEGACY	NGP	PEMKO	ZERO
769	D608	-	96A

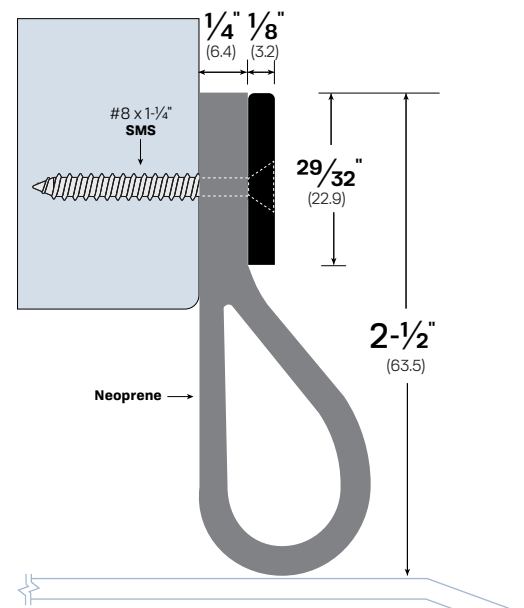
#7835



FINISHES: CA, MB

LEGACY	NGP	PEMKO	ZERO
7835	202N	368_N	539AA

#739



FINISHES: MA, MB, WP, SS

OPTIONS: SF - Security Fasteners

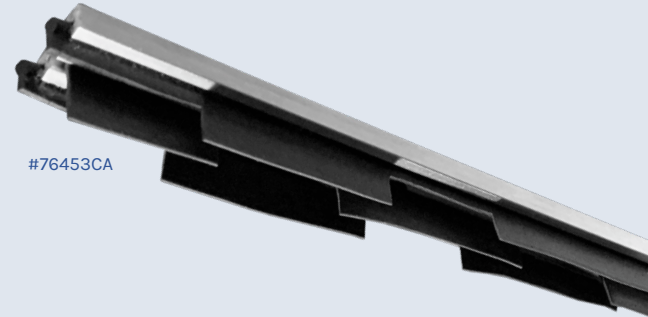
LEGACY	NGP	PEMKO	ZERO
739	81369N	E199X196A	93A

Mortised AIR Sweep

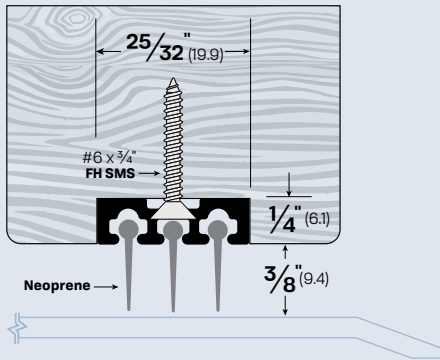
This option allows free flow of air while still blocking light at the bottom of the door. Useful for applications with pressure differentials, such as boiler room doors, it is also a practical solution for certain hotel room and stairwell applications.

Our AIR design features double rows of notched and staggered neoprene seals for effective air flow.

#76453CA



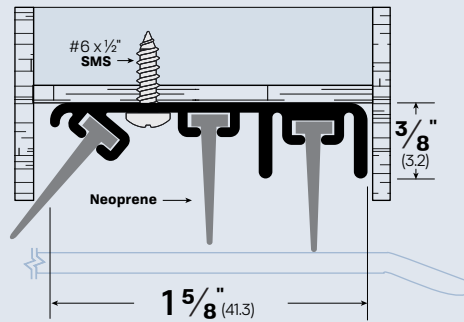
#76453



FINISHES: MA
OPTIONS: AIR - Air Flow

LEGACY	NGP	PEMKO	ZERO
76453	12T	-	3546A

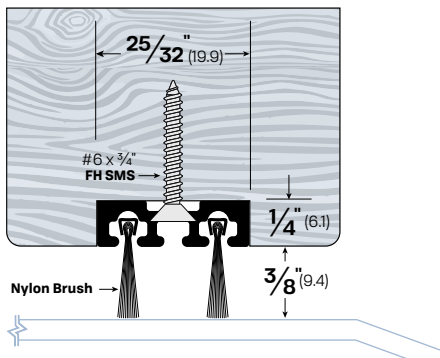
#7283



FINISHES: CA
OPTIONS: AIR - Air Flow

LEGACY	NGP	PEMKO	ZERO
7283	-	-	-

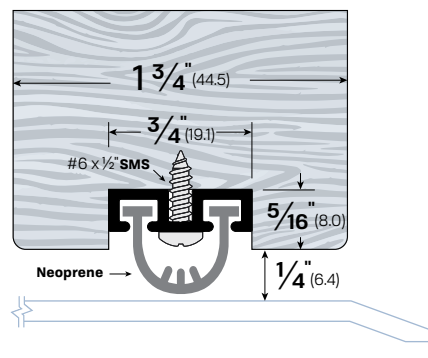
#74453



FINISHES: MA
OPTIONS: AIR - Air Flow

LEGACY	NGP	PEMKO	ZERO
74453	-	-	-

#735

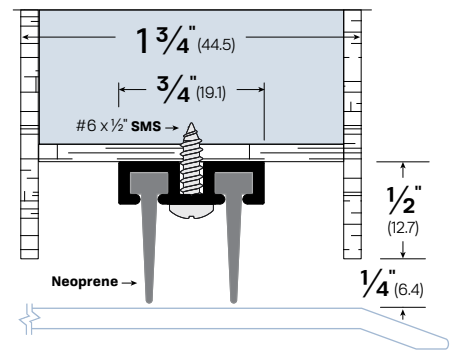


FINISHES: MA
NOTES: Rubber is Field Reversible



LEGACY	NGP	PEMKO	ZERO
735	116N	313AN	53A

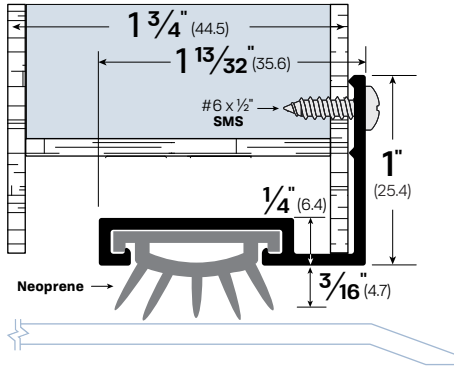
#7183



FINISHES: MA
OPTIONS: AIR - Air Flow

LEGACY	NGP	PEMKO	ZERO
7183	-	-	381A

#7351



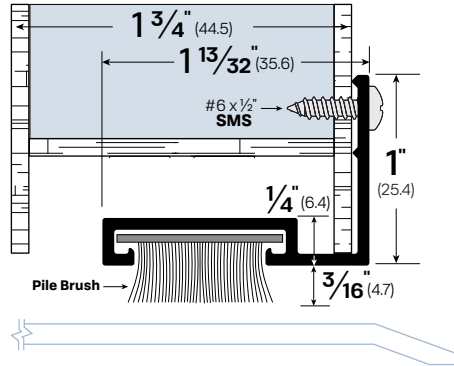
FINISHES: MA, MB, WP

OPTIONS:

- FX** - Intumescent
- NIT** - Nitrile Extrusion
- SF** - Security Fasteners

LEGACY	NGP	PEMKO	ZERO
7351	113N	-	153A

#7451



FINISHES: MA, MB, WP

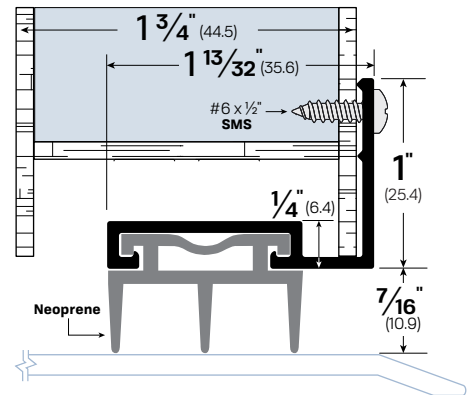
OPTIONS: SF - Security Fasteners

NOTES:

- Grey pile brush standard
- Specify for black pile (PB-BK) or white pile (PB-WH)

LEGACY	NGP	PEMKO	ZERO
7451	-	-	154A

#7752



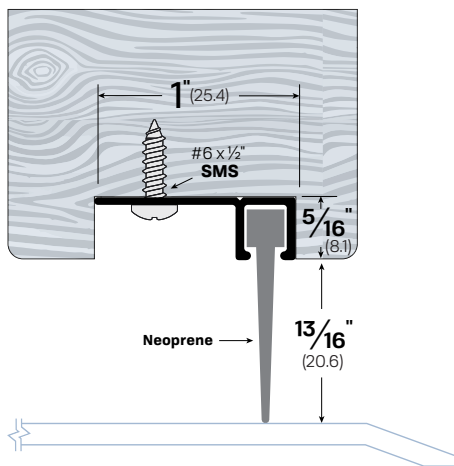
FINISHES: MA, MB, WP

OPTIONS:

- FX** - Intumescent
- SF** - Security Fasteners

LEGACY	NGP	PEMKO	ZERO
7752	-	-	-

#71518

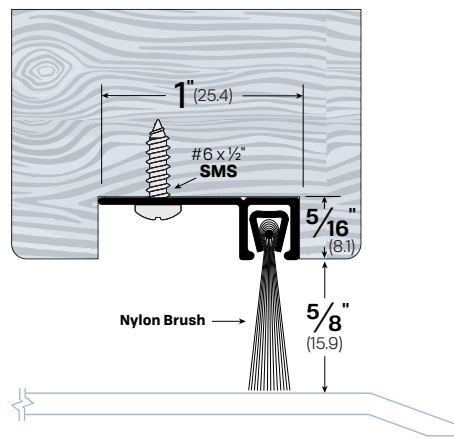


FINISHES: MA, MB, WP

OPTIONS: SF - Security Fasteners

LEGACY	NGP	PEMKO	ZERO
71518	-	-	8151AA

#79418

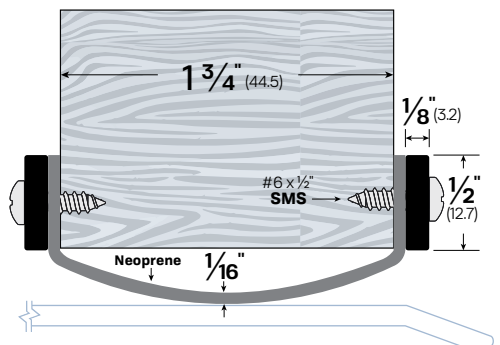


FINISHES: MA, MB, WP

OPTIONS: SF - Security Fasteners

LEGACY	NGP	PEMKO	ZERO
79418	D648	90100	8149AA

#7115



FINISHES: MA, MB, WP, SS

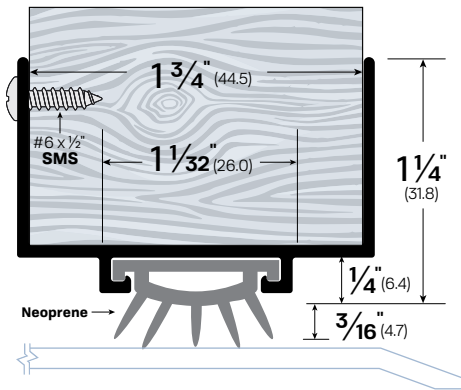
OPTIONS: SF - Security Fasteners

NOTES: Neoprene is 6" wide and can be mounted at different heights.

LEGACY	NGP	PEMKO	ZERO
7115	14RA	-	511A

Door Sweeps

#7111



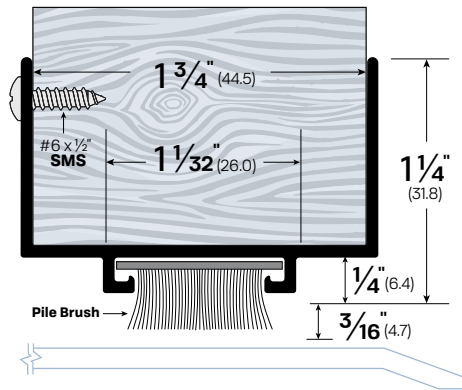
FINISHES: MA, MB, WP

OPTIONS:

- FX** - Intumescent
- NIT** - Nitrile Extrusion
- SF** - Security Fasteners

LEGACY	NGP	PEMKO	ZERO
7111	26N	-	111AA

#7011



FINISHES: MA, MB, WP

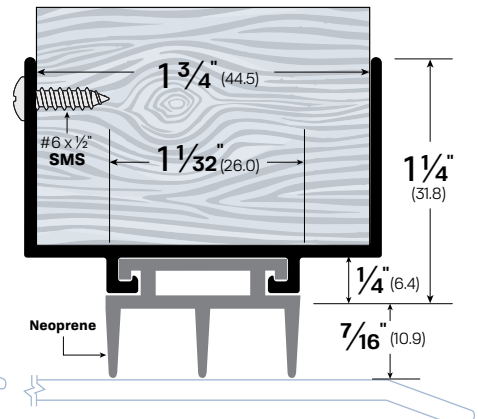
OPTIONS: SF - Security Fasteners

NOTES:

- Grey pile brush standard
- Specify for black pile (PB-BK) or white pile (PB-WH)

LEGACY	NGP	PEMKO	ZERO
7011	-	-	110A

#7112



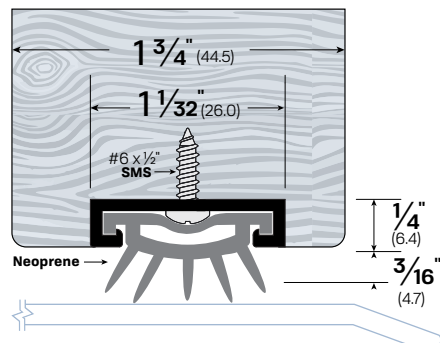
FINISHES: MA, MB, WP

OPTIONS:

- FX** - Intumescent
- SF** - Security Fasteners

LEGACY	NGP	PEMKO	ZERO
7112	36ET6	2173AV	-

#7352

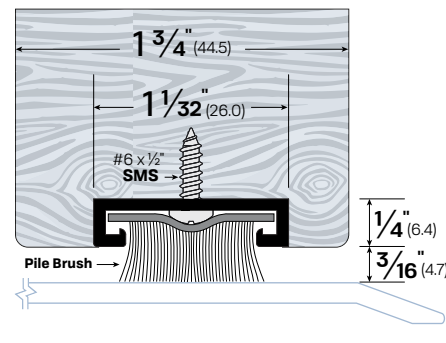


FINISHES: MA, DB, MB, WP

OPTIONS: NIT - Nitrile Extrusion

LEGACY	NGP	PEMKO	ZERO
7352	112N	234APK	253A

#7452



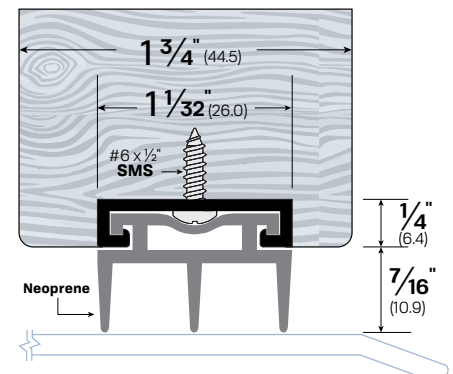
FINISHES: MA, DB, MB, WP

NOTES:

- Grey pile brush standard
- Specify for black pile (PB-BK) or white pile (PB-WH)

LEGACY	NGP	PEMKO	ZERO
7452	254P	-	254A

#7852



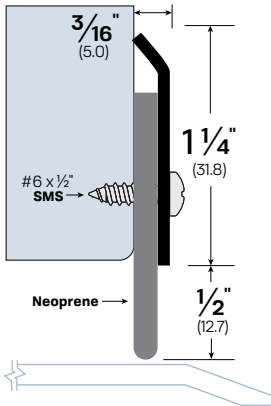
FINISHES: MA, DB, MB, WP

OPTIONS:

- FX** - Intumescent

LEGACY	NGP	PEMKO	ZERO
7852	12T	33V3_V	-

#793SS



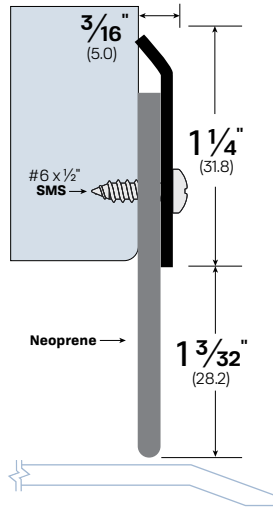
FINISHES: SS

OPTIONS:

SF - Security Fasteners

LEGACY	NGP	PEMKO	ZERO
793SS	200NSS	31555SS	-

#7836SS



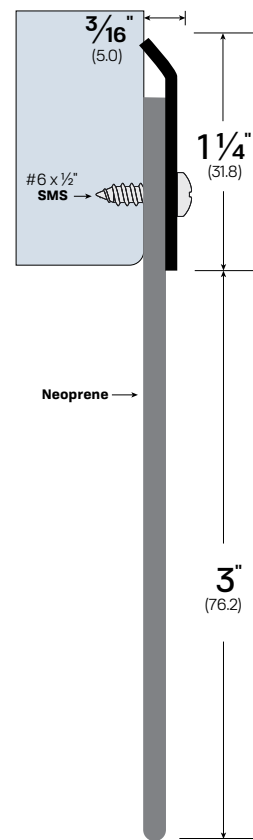
FINISHES: SS

OPTIONS:

SF - Security Fasteners

LEGACY	NGP	PEMKO	ZERO
7836SS	-	-	-

#7936SS



FINISHES:
SS

OPTIONS:

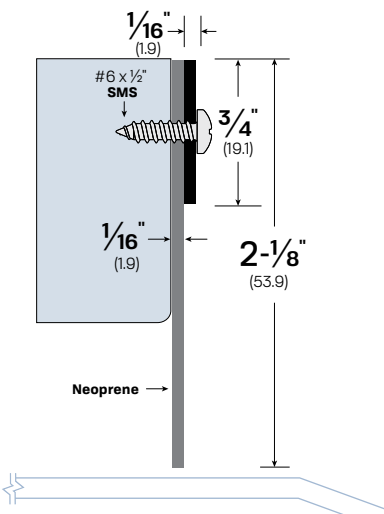
SF - Security Fasteners

NOTES:

Perfect for oversized gaps

LEGACY
7936SS
NGP
-
PEMKO
-
ZERO
-

#7891SS

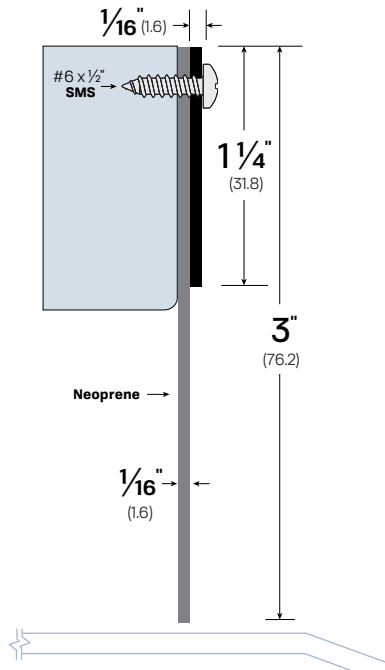


FINISHES: SS

OPTIONS: **SF** - Security Fasteners

LEGACY	NGP	PEMKO	ZERO
7891SS	-	-	-

#7991SS

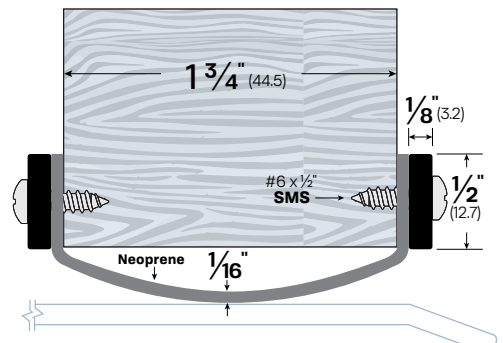


FINISHES: SS

OPTIONS: **SF** - Security Fasteners

LEGACY	NGP	PEMKO	ZERO
7991SS	-	-	-

#7115SS



FINISHES: SS

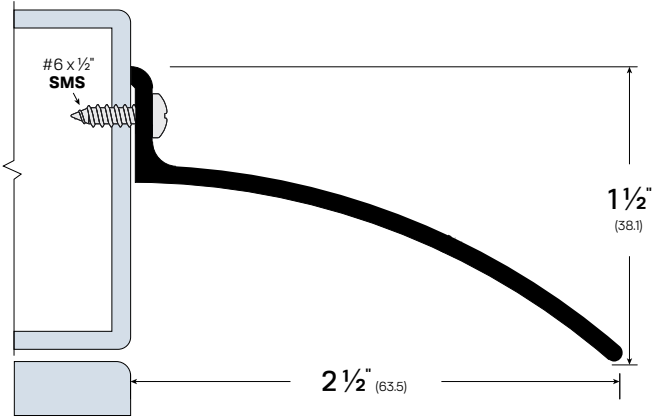
OPTIONS: **SF** - Security Fasteners

NOTES: Neoprene is 6" wide and can be mounted at different heights.

LEGACY	NGP	PEMKO	ZERO
7115SS	-	-	-

Door Sweeps

#5241



FINISHES: MA, MB, WP, SS

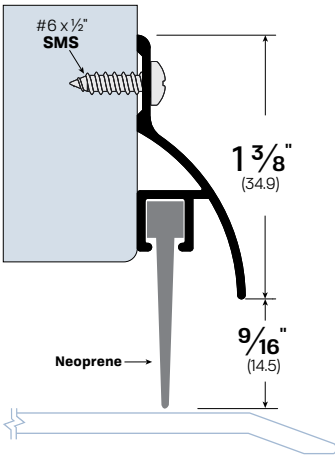
OPTIONS: SF - Security Fasteners

NOTES:

- Top of door rain drip
- Order length should be specified a minimum of 4" longer than door width.

LEGACY	NGP	PEMKO	ZERO
5241	16	346C	142AA

#77918

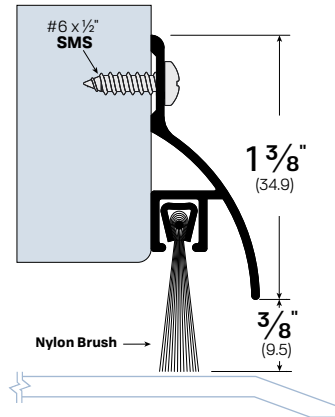


FINISHES: CA, BK, WP

OPTIONS: SF - Security Fasteners

LEGACY	NGP	PEMKO	ZERO
77918	101V	345AV	8197AA

#78918

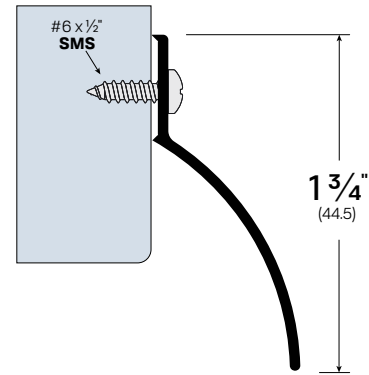


FINISHES: CA, BK, WP

OPTIONS: SF - Security Fasteners

LEGACY	NGP	PEMKO	ZERO
78918	C627	3452ANB	8198AA

#711

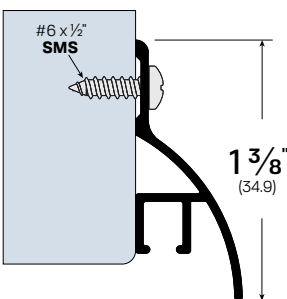


FINISHES: MA, MB, WP

OPTIONS: SF - Security Fasteners

LEGACY	NGP	PEMKO	ZERO
711	17	345C	11A

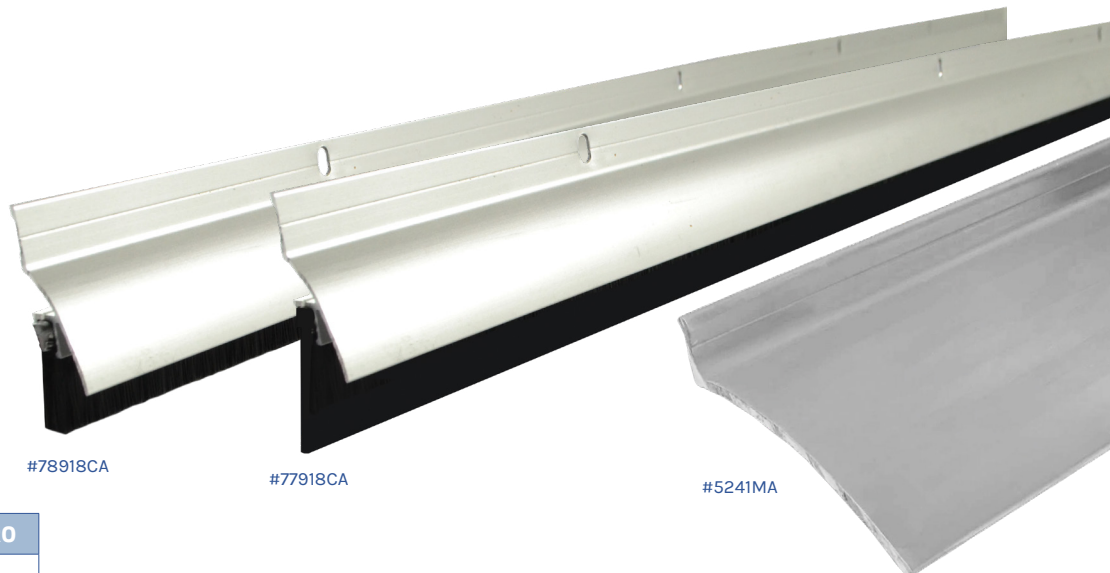
#712



FINISHES: CA, BK, WP

OPTIONS: SF - Security Fasteners

LEGACY	NGP	PEMKO	ZERO
712	-	-	-



#78918CA

#77918CA

#5241MA