

How To Order: Perimeter Seals

Example #5077CA-FX-36

Easy Ways To Order

Email

Orders@LegacyLLC.com

Phone

Local: +1 (718) 292-5333
Toll Free: +1 (888) 383-3330

Fax

+1 (888) 383-3330

PART NUMBER & FINISH - OPTIONS - LENGTH

5077

CA

FX

36

PART #

501	5378
513	5413
523	5552
533	5555
589	5574
599	5583
5001	5584
5041	5623
5071	5823SPB
5072	5823
5074	5873
5075	5874
5077SPB	5903
5077	5924
5078SPB	5924L-EXT
5078	5974
5175	50777
5178	51888
5203-FX	52888
5217	53038
5272	59150
5274	

FINISH / MATERIAL

Perimeter seals are available in Aluminum and Steel in various options. Please check available finishes listed for each product.

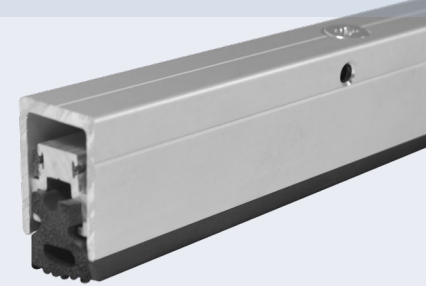
- CA** - Clear Anodized
- BR** - Architectural Bronze
- DB** - Dark Bronze Anodized
- MA** - Mill Aluminum
- MB** - Matte Black Powder Coat
- SP** - Grey Steel Prime
- SS** - Stainless Steel
- WP** - White Powder Coat

OPTIONS

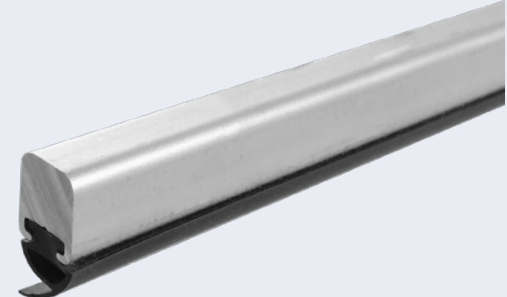
Options vary by product. Please check available options listed for each product.

Blank - No Option	PB-BK - Black Pile Brush
EMI/RFI - Electromagnetic/Radio Frequency Interference	PB-GY - Grey Pile Brush
FL - Fire Label	POL - Polished Bronze
FOAM - Foam Insert	PSA - Pressure Sensitive Adhesive
FX - Intumescent	RS - Access Control Ribbon Switch
LIG - Ligature Resistant	S-WH - White Silicone
	SF - Security Fasteners

LENGTH Please specify to nearest 1/16"



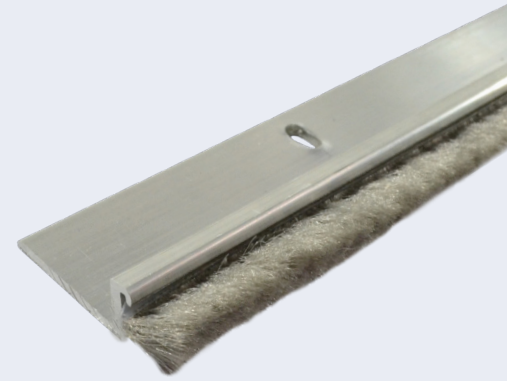
#5071CA



#513CA

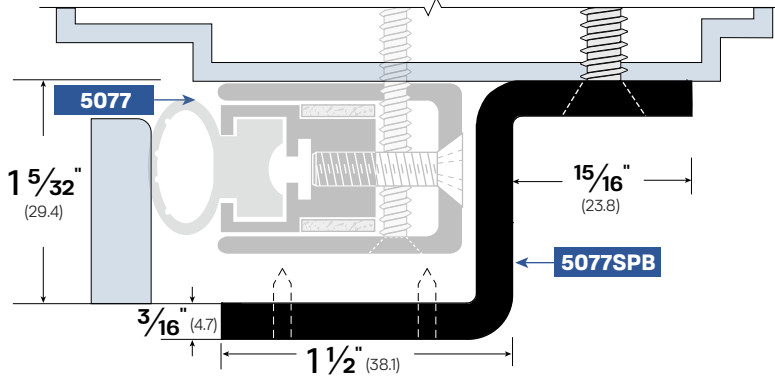


#5874CA



#589MA

#5077SPB  



FINISHES: SP

OPTIONS: FL - Fire Label

NOTES:

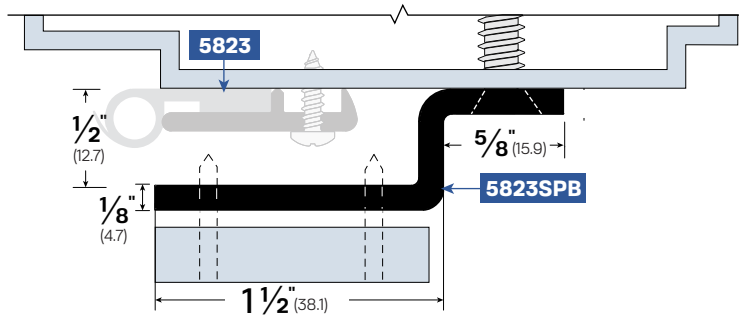
- Closer Bracket Plate
- To be used with 5071, 5077 or parts of similar size.
- Standard length is 6"
- Specify other length if needed.

#5077SPB-SP



LEGACY	NGP	PEMKO	ZERO
5077SPB	3SP	-	770SPB

#5823SPB  



FINISHES: SP

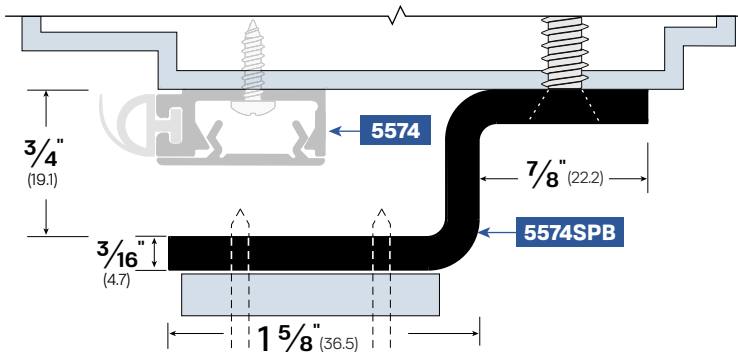
OPTIONS: FL - Fire Label

NOTES:

- Closer Bracket Plate
- To be used with 5823 or parts of similar size
- Standard length is 6"
- Specify other length if needed.

LEGACY	NGP	PEMKO	ZERO
5823SPB	-	-	328SPB

#5078SPB  



FINISHES: SP

OPTIONS: FL - Fire Label

NOTES:

- Closer Bracket Plate
- To be used with 5574, 5075, 5078 or parts of similar size
- Standard length is 6"
- Specify other length if needed.

LEGACY	NGP	PEMKO	ZERO
5078SPB	7SP	-	870SPB



#5078SPB installed at the door strike.



#5823SPB installed at the top of door.

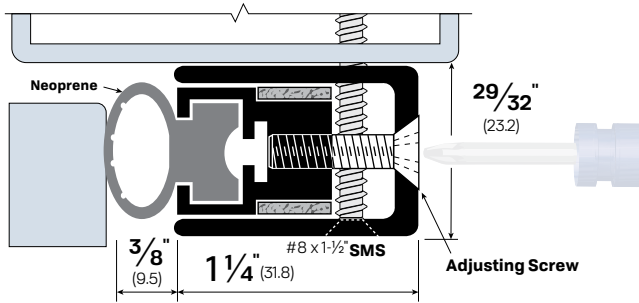
Adjustable Seals

These systems provide adjustability that helps compensate for gaps due to imperfect door alignment at installation, or resulting from temperature and humidity changes, in order to optimize sealing performance. Adjustments are made simply with a few turns of a screwdriver.



#5077CA Installed on head of frame.

#5077

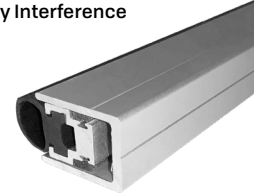


FINISHES: CA, DB, MB, WP

OPTIONS: FL - Fire Label
EMI/RFI - Electromagnetic/Radio Frequency Interference

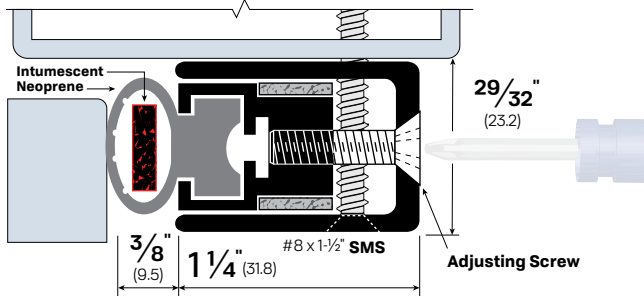
- NOTES:**
- Used with a cased open frame
 - Replacement neoprene - Part #4077N

LEGACY	NGP	PEMKO	ZERO
5077	1038N	319N	770AA



#5077CA

#5077-FX



FINISHES: CA, DB, MB, WP, SP, SS

OPTIONS: FX - Intumescent for Fire/Acoustical applications

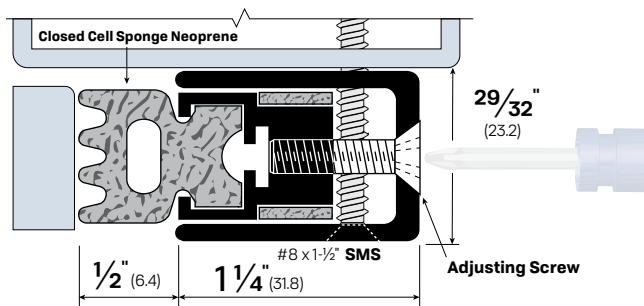
- NOTES:**
- Used with a cased open frame
 - Replacement FX - Part #13312
 - Replacement neoprene - Part #4077N

LEGACY	NGP	PEMKO	ZERO
5077-FX	-	-	770FS



#5077CA-FX

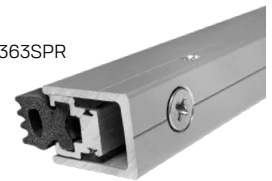
#5071



FINISHES: CA, DB, MB, WP, SP, SS

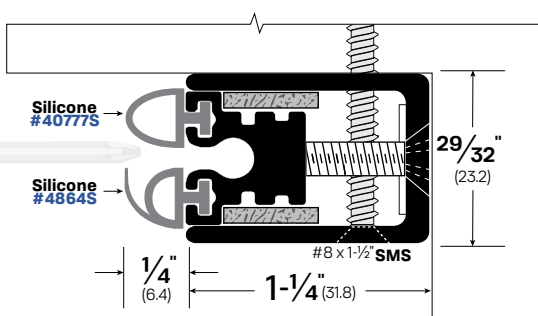
- NOTES:**
- Used with a cased open frame
 - Replacement closed cell sponge neoprene - Part #4363SPR

LEGACY	NGP	PEMKO	ZERO
5071	103N	350CSR	170AA



#5071CA

#50777



FINISHES: CA, DB, MB, WP, SP, SS

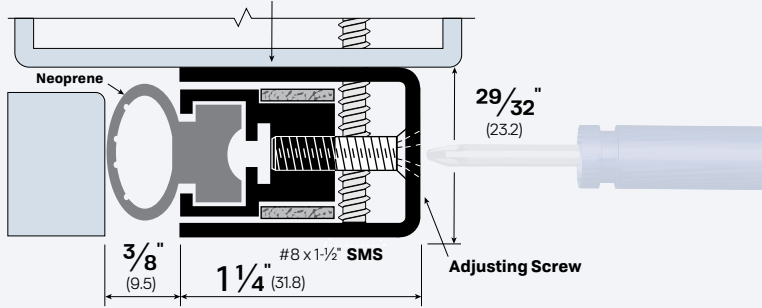
- NOTES:**
- Replacement closed cell sponge neoprene - Part #4363SPR
 - Replacement silicone - Part #40777S Available in Black (-BK) and White (-WH)
 - Replacement silicone - Part #4684S Available in Black (-BK) and White (-WH)
 - Adjustable range is up to 5/16" (7.9)

LEGACY	NGP	PEMKO	ZERO
50777	-	-	7770AA

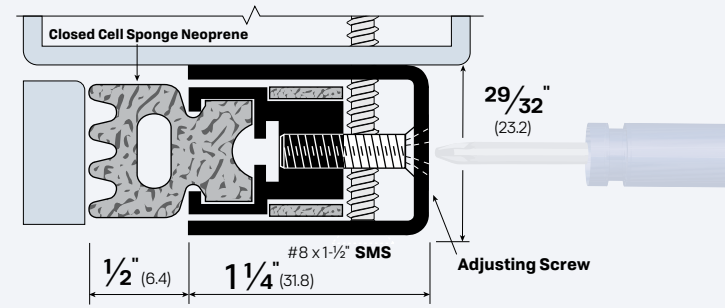
Perimeter Seals

Stainless Steel

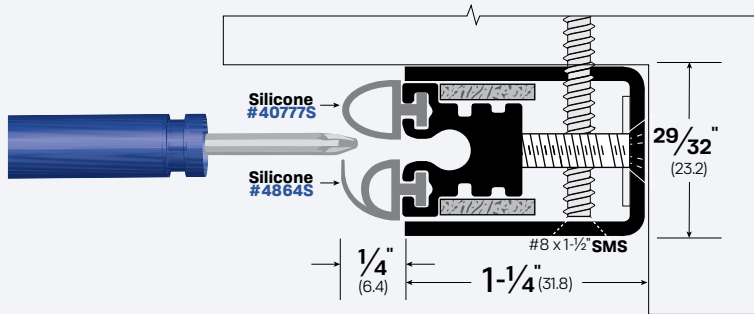
#5077SS



#5071SS



#50777SS

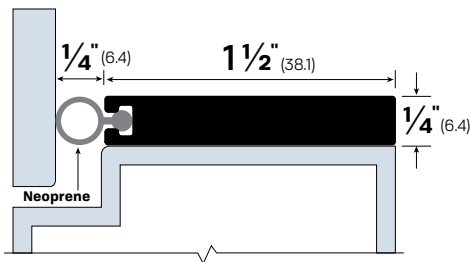


FINISHES: SP, SS

LEGACY	5077SS	5071SS	50777SS
NGP	-	-	-
PEMKO	-	-	-
ZERO	770SS/770SP	170SS/170SP	7770SS/7770SP

Perimeter Seals

#5924



FINISHES: MA, MB, WP

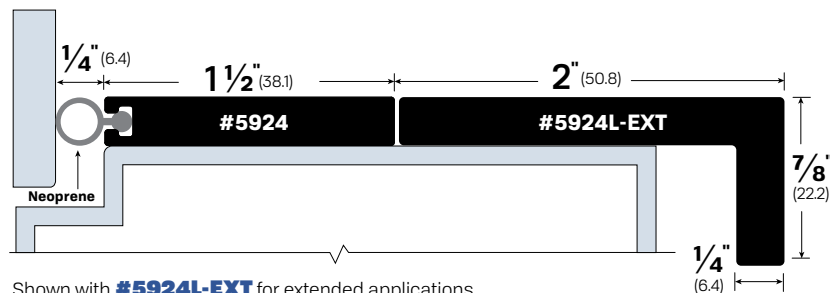
OPTIONS:

- FL - Fire Label
- LIG - Ligature Resistant

NOTES:

- Allows mounting door closer or rim exit device strikes without notching or other breaks in seal.
- Replacement neoprene - Part #4338N

#5924L-EXT



Shown with #5924L-EXT for extended applications

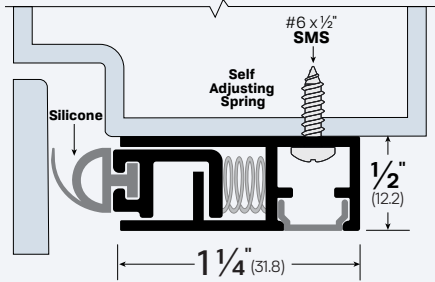
LEGACY	NGP	PEMKO	ZERO
5924	700N	2891AS	429AA



#5077 installed in conjunction with #5077SPB.

#501 (Patent Pending)

Developed in response to customer demand, this unique design innovation eliminates the trade-off between functionality and aesthetics in mechanically fastened adjustable gasketing. The adjusting screw is concealed inside a housing for a clean, uninterrupted surface along the perimeter seal. Available only from Legacy.



FINISHES: CA, DB

OPTIONS:

LIG - Ligature Resistant

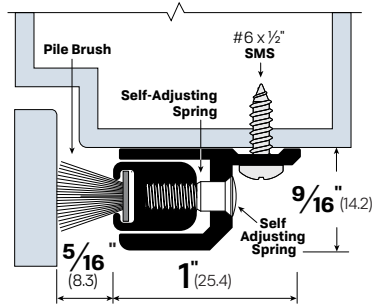
S-WH - White Silicone

SF - Security Fasteners

NOTES: Self-adjusting perimeter seal with concealed screws.

LEGACY	NGP	PEMKO	ZERO
501	-	-	-

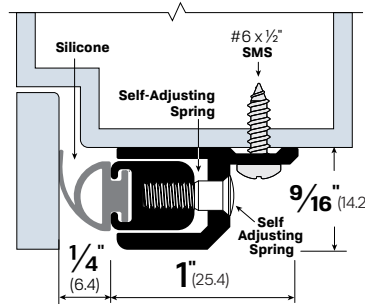
#5552



FINISHES: CA, DB, MB, WP

LEGACY	NGP	PEMKO	ZERO
5552	140	351CP	255AA

#5217



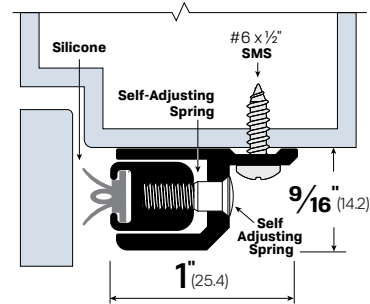
FINISHES: CA, DB, MB, WP

OPTIONS:

LIG - Ligature Resistant **S-WH** - White Silicone

LEGACY	NGP	PEMKO	ZERO
5217	141N	351CS	712AA

#5555



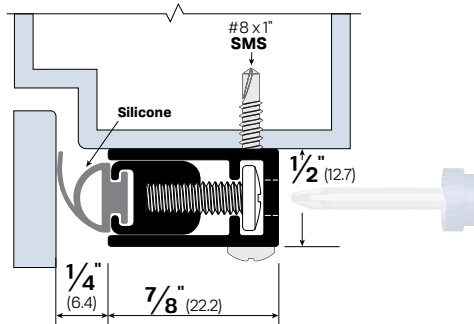
FINISHES: CA, DB, MB, WP

OPTIONS:

LIG - Ligature Resistant **S-WH** - White Silicone

LEGACY	NGP	PEMKO	ZERO
5555	140S	-	555AA

#5078



FINISHES: CA, DB, MB, WP

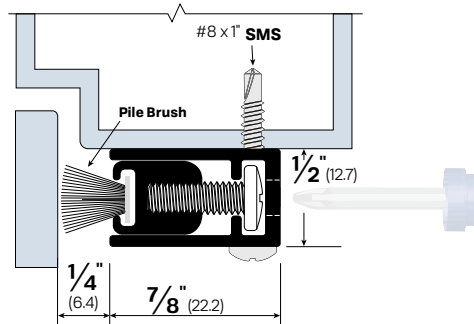
OPTIONS:

LIG - Ligature Resistant **S-WH** - White Silicone

FL - Fire Label

LEGACY	NGP	PEMKO	ZERO
5078	106N	379AR	870AA

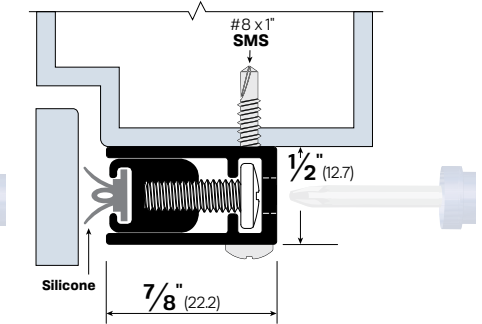
#5178



FINISHES: CA, DB, MB, WP

LEGACY	NGP	PEMKO	ZERO
5178	140P	-	871AA

#5378



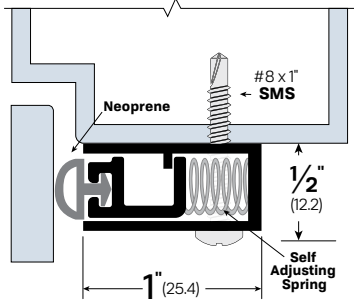
FINISHES: CA, DB, MB, WP

OPTIONS:

LIG - Ligature Resistant **S-WH** - White Silicone

LEGACY	NGP	PEMKO	ZERO
5378	1405	-	873AA

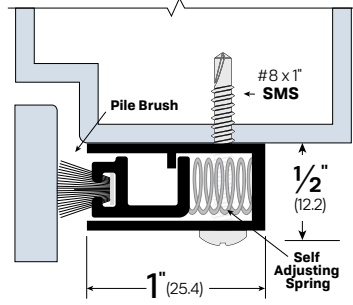
#5075



FINISHES: CA, MB, WP

LEGACY	NGP	PEMKO	ZERO
5075	141N	379AR	570AA

#5175



FINISHES: CA, MB, WP

LEGACY	NGP	PEMKO	ZERO
5175	141P	-	571AA



#53038CA

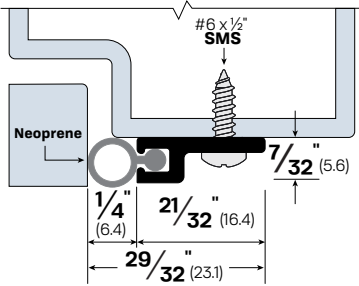


#513CA



#59150CA

#53038

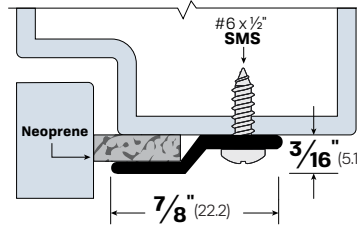


FINISHES: CA, MB, WP

OPTIONS: FL - Fire Label

LEGACY	NGP	PEMKO	ZERO
53038	135N	303PIC	8303AA

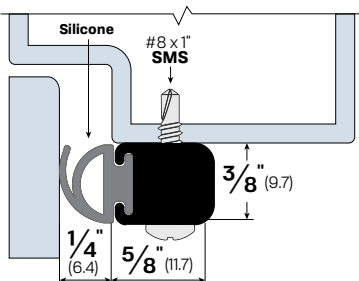
#59150



FINISHES: MA, MB, WP

LEGACY	NGP	PEMKO	ZERO
59150	-	-	-

#513



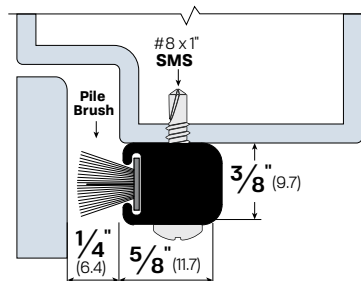
FINISHES: CA, MB, WP

OPTIONS:

LIG - Ligature Resistant S-WH - White Silicone
 FL - Fire Label

LEGACY	NGP	PEMKO	ZERO
513	2N	300CP	31AA

#523



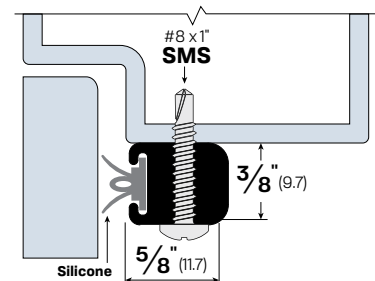
FINISHES: CA, MB, WP

OPTIONS:

PB-BK - Black Pile Brush PB-GY - Grey Pile Brush

LEGACY	NGP	PEMKO	ZERO
523	2P	300CP	32AA

#533



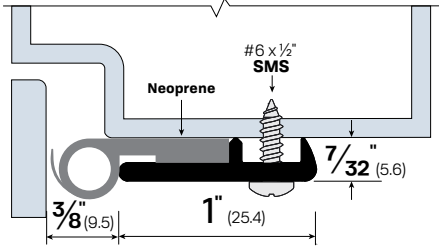
FINISHES: CA, MB, WP

OPTIONS: S-WH - White Silicone

LEGACY	NGP	PEMKO	ZERO
533	2S	-	33AA

Perimeter Seals

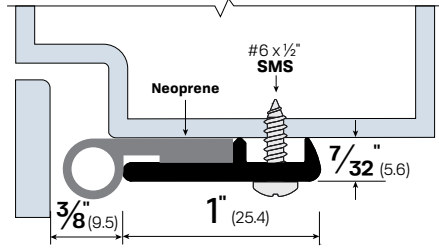
#5623  



FINISHES: BR, CA, DB, MB, WP
OPTIONS:
LIG - Ligature Resistant **POL** - Polished Bronze
FL - Fire Label

LEGACY	NGP	PEMKO	ZERO
5623	137N	319N	326AA

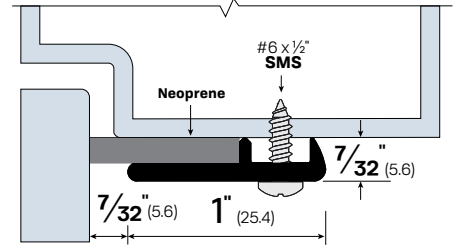
#5823  



FINISHES: BR, CA, DB, MB, WP
OPTIONS:
LIG - Ligature Resistant **POL** - Polished Bronze
FL - Fire Label

LEGACY	NGP	PEMKO	ZERO
5823	137N	319N	328AA

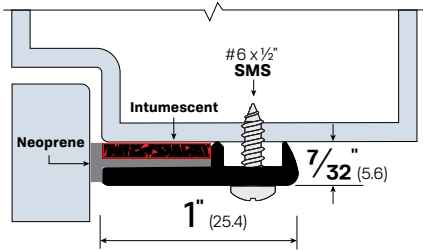
#5413 



FINISHES: BR, CA, DB, MB, WP
OPTIONS:
LIG - Ligature Resistant **POL** - Polished Bronze
FL - Fire Label

LEGACY	NGP	PEMKO	ZERO
5413	134N	319AR	314AA

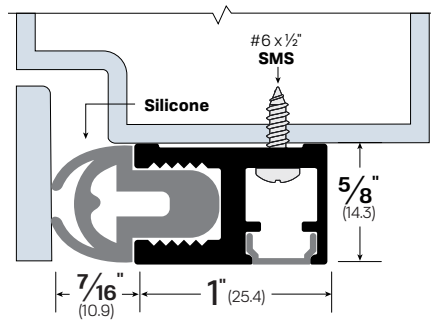
#5203-FX



FINISHES: BR, CA, DB, MB, WP
OPTIONS:
LIG - Ligature Resistant **POL** - Polished Bronze
FX - Intumescent

LEGACY	NGP	PEMKO	ZERO
5203-FX	-	-	302FS

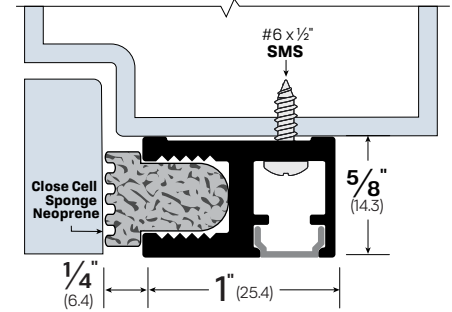
#51888



FINISHES: CA, MB, WP

LEGACY	NGP	PEMKO	ZERO
51888	-	-	-

#52888



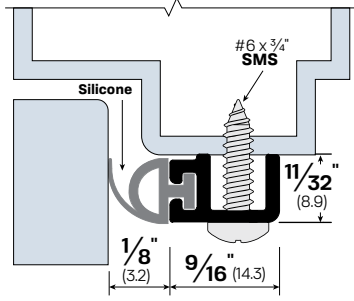
FINISHES: CA, MB, WP

LEGACY	NGP	PEMKO	ZERO
52888	-	-	-



Adjustable gasketing applied to the frame on a pair of conference room doors.

#5584



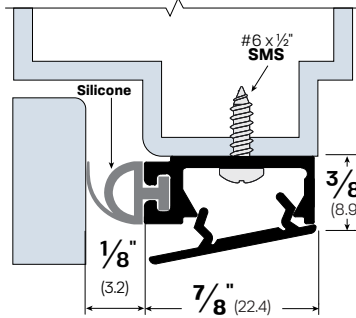
FINISHES: MA, DB, MB, WP

OPTIONS:

LIG - Ligature Resistant **FL** - Fire Label
NIT - Nitrile Extrusion

LEGACY	NGP	PEMKO	ZERO
5584	152S	312AR	485A

#5574



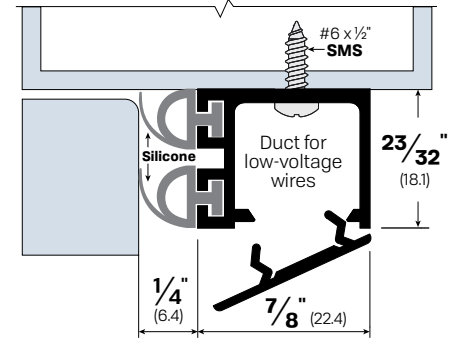
FINISHES: CA, DB, MB, WP

OPTIONS:

LIG - Ligature Resistant **FL** - Fire Label
S-WH - White Silicone **NIT** - Nitrile Extrusion

LEGACY	NGP	PEMKO	ZERO
5574	172N	29321-TF	475AA

#5874



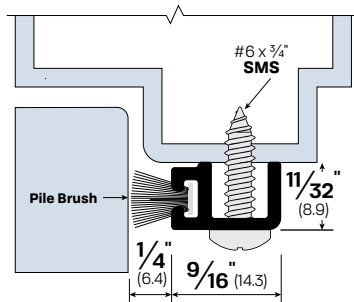
FINISHES: CA

OPTIONS:

FL - Fire Label **S-WH** - White Silicone

LEGACY	NGP	PEMKO	ZERO
5874	-	-	478AA

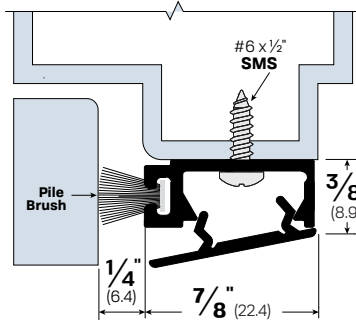
#5583



FINISHES: MA, DB, MB, WP

LEGACY	NGP	PEMKO	ZERO
5583	-	-	-

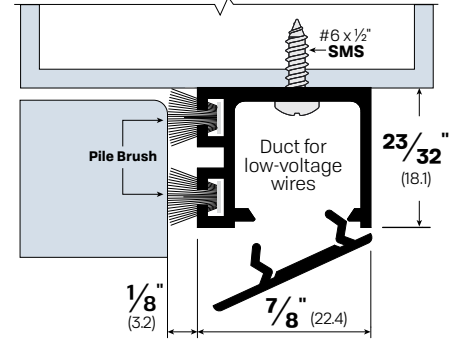
#5974



FINISHES: CA, DB, MB, WP

LEGACY	NGP	PEMKO	ZERO
5974	-	-	-

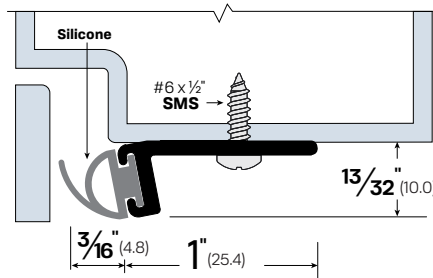
#5873



FINISHES: CA

LEGACY	NGP	PEMKO	ZERO
5873	-	-	-

#599



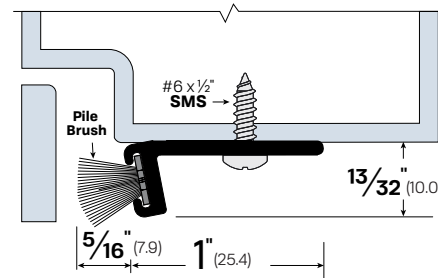
FINISHES: MA, DB, MB, WP

OPTIONS:

LIG - Ligature Resistant **S-WH** - White Silicone

LEGACY	NGP	PEMKO	ZERO
599	161N	-	99A

#589



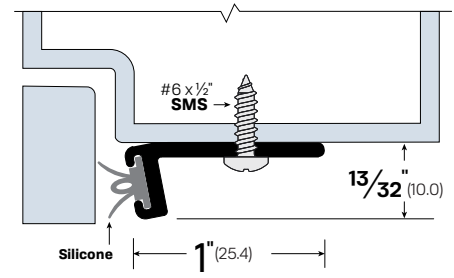
FINISHES: MA, DB, MB, WP

OPTIONS:

PB-GY - Grey Pile Brush **PB-BK** - Black Pile Brush

LEGACY	NGP	PEMKO	ZERO
589	161P	-	98A

#5001



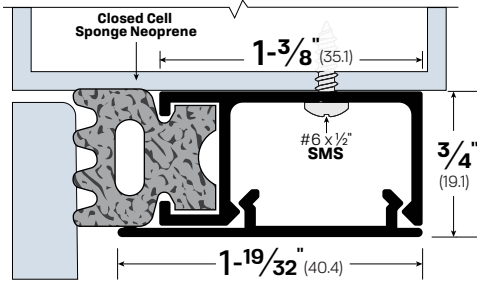
FINISHES: MA, DB, MB, WP

OPTIONS:

LIG - Ligature Resistant **S-WH** - White Silicone

LEGACY	NGP	PEMKO	ZERO
5001	-	-	100A

#5074



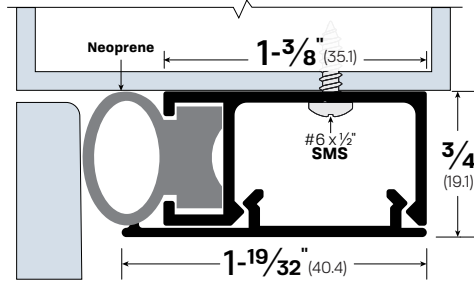
FINISHES: MA, MB, WP

OPTIONS:

FOAM - Foam **LIG** - Ligature Resistant

LEGACY	NGP	PEMKO	ZERO
5074	-	-	470AA

#5274

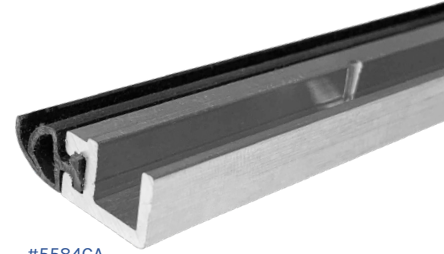


FINISHES: MA, MB, WP

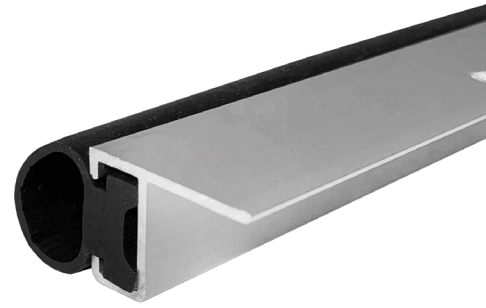
OPTIONS:

FOAM - Foam **FX** - Intumescent

LEGACY	NGP	PEMKO	ZERO
5274	-	-	472AA

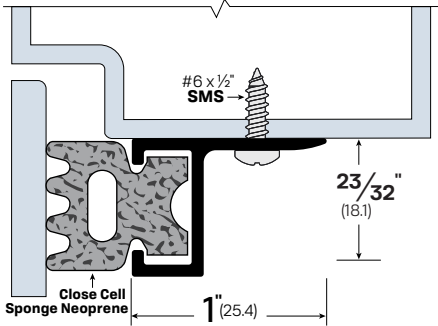


#5584CA



#5072CA

#5072

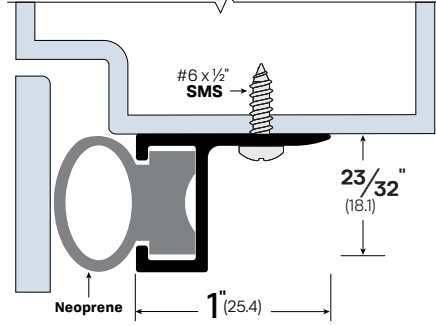


FINISHES: MA, DB, MB, WP

OPTIONS: **LIG** - Ligature Resistant

LEGACY	NGP	PEMKO	ZERO
5072	108N	285	270A

#5272

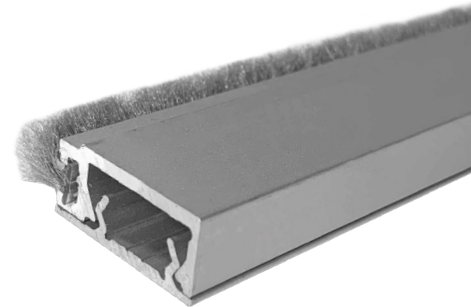


FINISHES: MA, DB, MB, WP

OPTIONS:

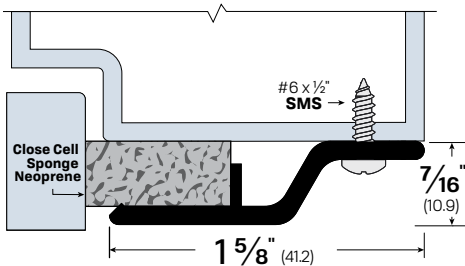
FX - Intumescent **RS** - Ribbon Switch

LEGACY	NGP	PEMKO	ZERO
5272	-	-	272A



#5041CA-FX

#5041

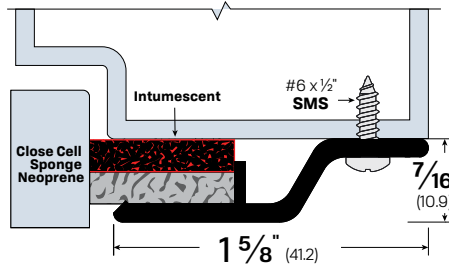


FINISHES: CA, DB

OPTIONS: **FL** - Fire Label

LEGACY	NGP	PEMKO	ZERO
5041	122N	375AR	140A

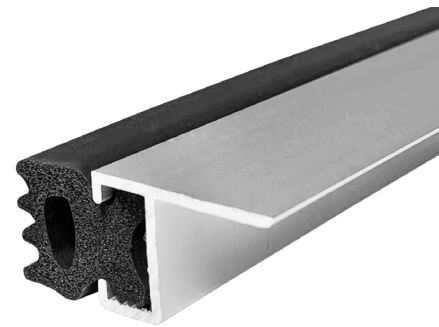
#5041-FX



FINISHES: CA, DB

OPTIONS: **FX** - Intumescent

LEGACY	NGP	PEMKO	ZERO
5041-FX	-	-	140FS



#5072CA



#5041CA-FX

Perimeter Seals