

How To Order: Automatic Door Bottoms

Example #7463CA-FX-36

Easy Ways To Order
Email

Orders@LegacyLLC.com

Phone

 Local: +1 (718) 292-5333
 Toll Free: +1 (888) 383-3330

Fax

+1 (888) 383-3330

PART NUMBER & FINISH - OPTIONS - LENGTH (IN)
7463
CA
FX
36
PART NUMBER

7023	7553	End Caps
7053	7563	749EC
7063	7593	4023EC
7093	7663	4063EC
7123	7763	4123EC
7153	7793	4153EC
7163	7863	4163EC
7253	7963	Misc.
7263	71553	50MMNUT
7323	72553	545DP
7463		

FINISH

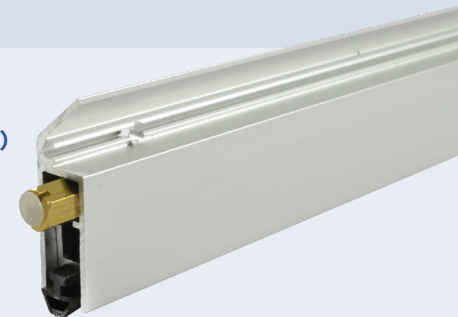
Finishes vary by product. Please check available finishes listed for each product.

- CA** - Clear Anodized
- DB** - Dark Bronze Anodized
- MA** - Mill Aluminum
- MB** - Matte Black Powder Coat
- WP** - White Powder Coat

OPTIONS

Options vary by product. Please check available options listed for each product.

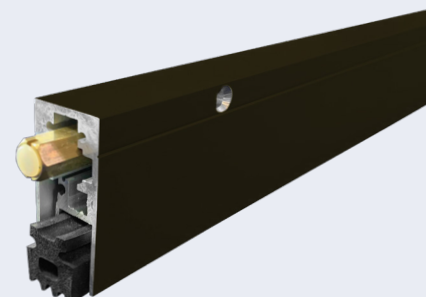
- | | | |
|---|---------------------------------|-----------------------------------|
| Blank - No Option | FL - Fire Label | PULL - Pull |
| AIR - Air Flow | FX - Intumescent | PV - Pivot Doors |
| EA - Electrical Actuator | LIG - Ligature Resistant | SF - Security Fasteners |
| EMI/RFI - Electromagnetic / Radio Frequency Interference | LL - Lead Lined | SL - Sliding Doors |
| EP - Extended Plunger | LS - Light Spring | TD - Top Door Installation |

LENGTH
AVAILABLE SIZES - Can be manufactured to any length from 12" to 144".
 Please specify to nearest 1/16"


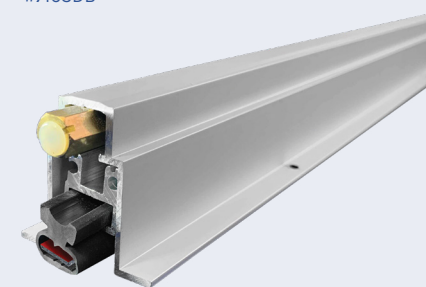
#7123CA



#7763CA



#7163DB

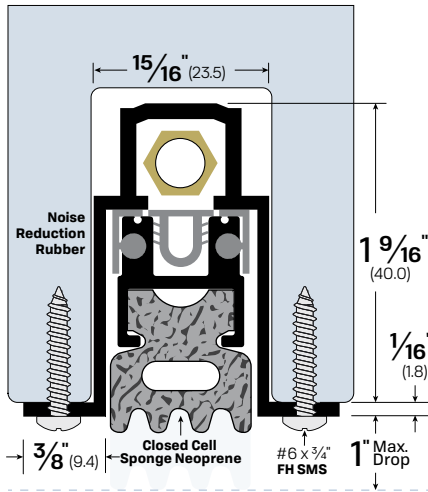


#7463CA-FX



#7553MA

#7063



Mortised

FINISHES: CA

AVAILABLE SIZES: Can be manufactured to any length from 12" to 144"

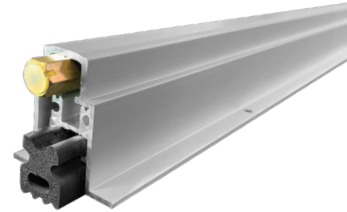
OPTIONS:

- | | | |
|---------------------------------|--------------------------------|-----------------------------------|
| EA - Electrical Actuator | PULL - Pull | SL - Sliding Doors |
| FL - Fire Label | PV - Pivot Doors | TD - Top Door Installation |
| LS - Light Spring | SF - Security Fasteners | |

NOTES:

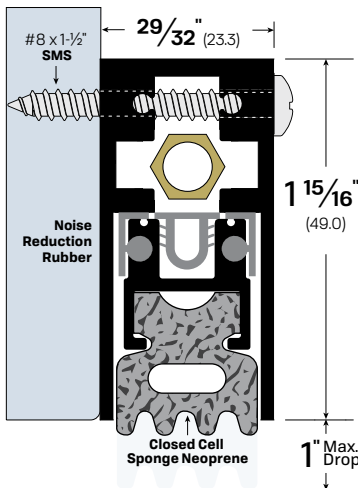
- Adjusting the brass nut changes pressure on concealed internal spring to satisfy field conditions.
- Self-leveling door seal up to maximum 1" drop.
- Replacement closed cell sponge neoprene - Part #4363SPR
- Unit supplied standard with 1 pair of end caps - Part 4063EC-CA. Optional Matte Black end caps are available when specified - Part Number 4063EC-MB.

LEGACY	NGP	PEMKO	ZERO
7063	423N	434ARL	360AA



#7063CA

#7163



Surface-Mounted

FINISHES: CA, DB, MB, WP

AVAILABLE SIZES: Can be manufactured to any length from 12" to 144"

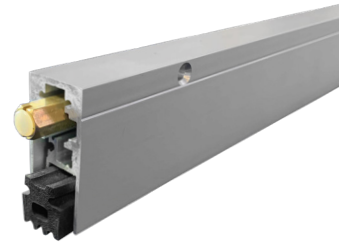
OPTIONS:

- | | | |
|---------------------------------|-------------------------|--------------------------------|
| EA - Electrical Actuator | PULL - Pull | SF - Security Fasteners |
| FL - Fire Label | PV - Pivot Doors | SL - Sliding Doors |
| LS - Light Spring | | |

NOTES:

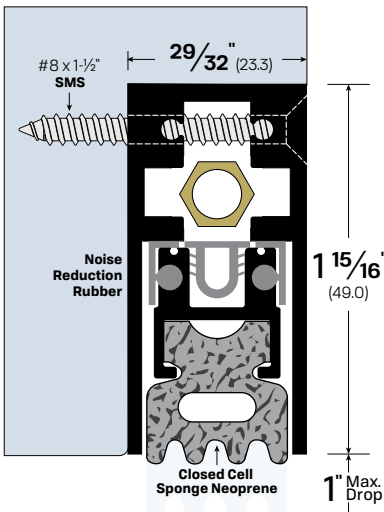
- Adjusting the brass nut changes pressure on concealed internal spring to satisfy field conditions.
- Self-leveling door seal up to maximum 1" drop.
- Replacement closed cell sponge neoprene - Part #4363SPR
- Unit supplied standard with 1 pair of end caps - Part 4163EC-CA. Optional Matte Black end caps are available when specified - Part Number 4163EC-MB.

LEGACY	NGP	PEMKO	ZERO
7163	420N	430ARL	361AA



#7163CA

#7263



Semi-Mortised

FINISHES: CA, DB, MB, WP

AVAILABLE SIZES: Can be manufactured to any length from 12" to 144"

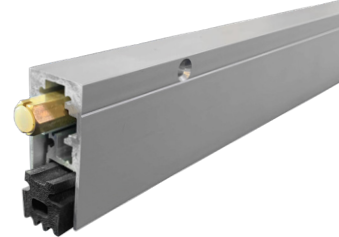
OPTIONS:

- | | | |
|---------------------------------|--------------------------------|-----------------------------------|
| EA - Electrical Actuator | PULL - Pull | SL - Sliding Doors |
| FL - Fire Label | PV - Pivot Doors | TD - Top Door Installation |
| LS - Light Spring | SF - Security Fasteners | |

NOTES:

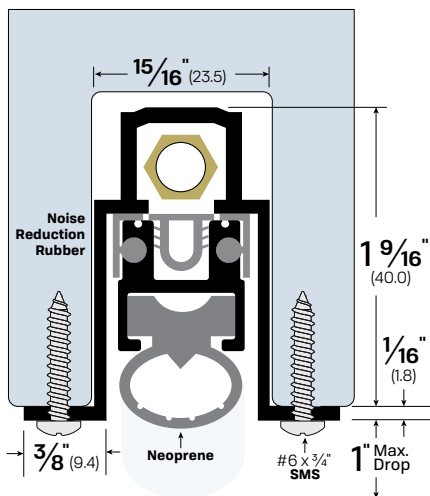
- Adjusting the brass nut changes pressure on concealed internal spring to satisfy field conditions.
- Self-leveling door seal up to maximum 1" drop.
- Replacement closed cell sponge neoprene - Part #4363SPR
- Unit supplied standard with 1 pair of end caps - Part 4163EC-CA. Optional Matte Black end caps are available when specified - Part Number 4163EC-MB.

LEGACY	NGP	PEMKO	ZERO
7263	420NHM	430ARL	362AA



#7263CA

#7463 



Mortised

FINISHES: CA

AVAILABLE SIZES: Can be manufactured to any length from 12" to 144"

OPTIONS:

- | | | |
|---------------------------------|--------------------------|-----------------------------------|
| EA - Electrical Actuator | LS - Light Spring | SF - Security Fasteners |
| FL - Fire Label | PULL - Pull | SL - Sliding Doors |
| FX - Intumescent | PV - Pivot Doors | TD - Top Door Installation |

NOTES:

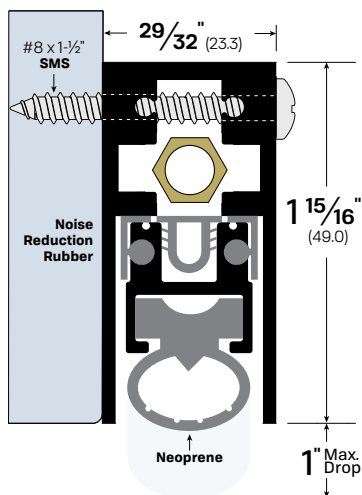
- Adjusting the brass nut changes pressure on concealed internal spring to satisfy field conditions.
- Self-leveling door seal up to maximum 1" drop.
- Replacement closed cell sponge neoprene - Part #4563N
- Unit supplied standard with 1 pair of end caps - Part 4063EC-CA. Optional Matte Black end caps are available when specified - Part Number 4063EC-MB.

LEGACY	NGP	PEMKO	ZERO
7463	522N	434APKL	364AA



#7463CA

#7563 



Surface-Mounted

FINISHES: CA, DB, MB, WP

AVAILABLE SIZES: Can be manufactured to any length from 12" to 144"

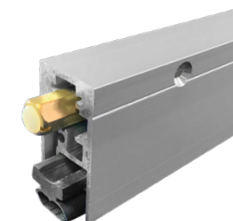
OPTIONS:

- | | | |
|---|--------------------------|--------------------------------|
| EA - Electrical Actuator | FL - Fire Label | PV - Pivot Doors |
| EMI/RFI - Electromagnetic/Radio Frequency Interference | FX - Intumescent | SF - Security Fasteners |
| | LS - Light Spring | SL - Sliding Doors |
| | PULL - Pull | |

NOTES:

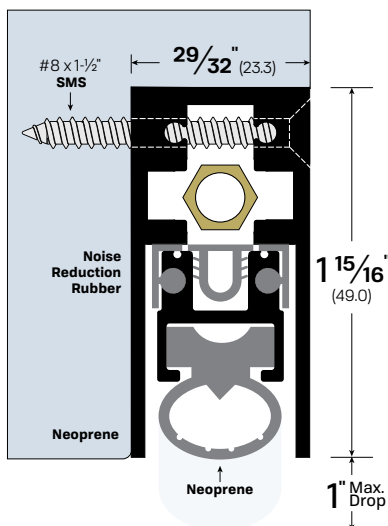
- Adjusting the brass nut changes pressure on concealed internal spring to satisfy field conditions.
- Self-leveling door seal up to maximum 1" drop.
- Replacement neoprene - Part #4563N
- Unit supplied standard with 1 pair of end caps - Part 4163EC-CA. Optional Matte Black end caps are available when specified - Part Number 4163EC-MB.

LEGACY	NGP	PEMKO	ZERO
7563	520N	4301APKL	365AA



#7563CA

#7663 



Semi-Mortised

FINISHES: CA, DB, MB, WP

AVAILABLE SIZES: Can be manufactured to any length from 12" to 144"

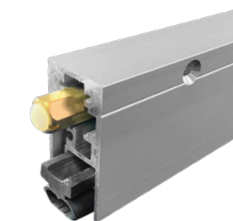
OPTIONS:

- | | | |
|---|--------------------------|-----------------------------------|
| EA - Electrical Actuator | FL - Fire Label | PV - Pivot Doors |
| EMI/RFI - Electromagnetic/Radio Frequency Interference | FX - Intumescent | SF - Security Fasteners |
| | LS - Light Spring | SL - Sliding Doors |
| | PULL - Pull | TD - Top Door Installation |

NOTES:

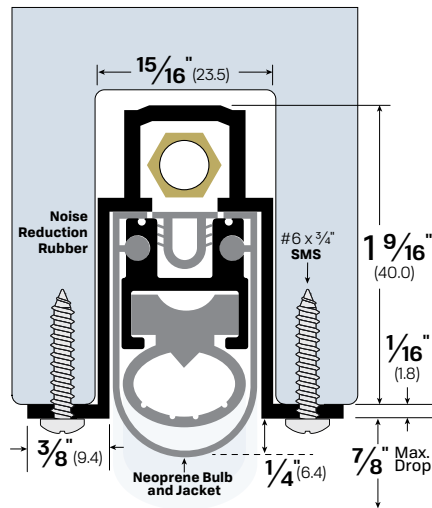
- Adjusting the brass nut changes pressure on concealed internal spring to satisfy field conditions.
- Self-leveling door seal up to maximum 1" drop.
- Replacement neoprene - Part #4563N
- Unit supplied standard with 1 pair of end caps - Part 4163EC-CA. Optional Matte Black end caps are available when specified - Part Number 4163EC-MB.

LEGACY	NGP	PEMKO	ZERO
7663	520NHM	4301APKL	366AA



#7663CA

#7963



Mortised

FINISHES: CA

AVAILABLE SIZES: Can be manufactured to any length from 12" to 96"

OPTIONS:

- EA** - Electrical Actuator **LS** - Light Spring **PV** - Pivot Doors
- FL** - Fire Label **PULL** - Pull **SF** - Security Fasteners
- FX** - Intumescent

NOTES:

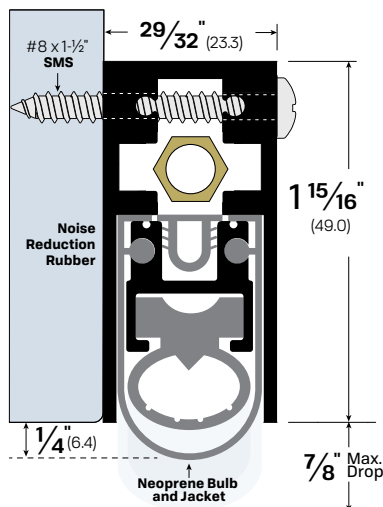
- Adjusting the brass nut changes pressure on concealed internal spring to satisfy field conditions.
- Self-leveling door seal up to maximum 7/8" drop.
- Replacement neoprene - Part #4563N and Jacket - Part #4763N
- Unit supplied standard with 1 pair of end caps - Part 4063EC-CA. Optional Matte Black end caps are available when specified - Part Number 4063EC-MB.

LEGACY	NGP	PEMKO	ZERO
7963	-	-	369AA



#7963CA

#7763



Surface-Mounted

FINISHES: CA, DB, MB, WP

AVAILABLE SIZES: Can be manufactured to any length from 12" to 96"

OPTIONS:

- EA** - Electrical Actuator **LS** - Light Spring **PV** - Pivot Doors
- FL** - Fire Label **PULL** - Pull **SF** - Security Fasteners
- FX** - Intumescent

NOTES:

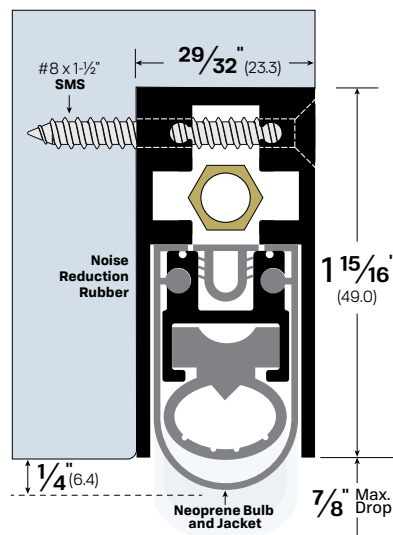
- Adjusting the brass nut changes pressure on concealed internal spring to satisfy field conditions.
- Self-leveling door seal up to maximum 7/8" drop.
- Replacement neoprene - Part #4563N and Jacket - Part #4763N
- Unit supplied standard with 1 pair of end caps - Part 4163EC-CA. Optional Matte Black end caps are available when specified - Part Number 4163EC-MB.

LEGACY	NGP	PEMKO	ZERO
7763	-	-	367AA



#7763CA

#7863



Semi-Mortised

FINISHES: CA, DB, MB, WP

AVAILABLE SIZES: Can be manufactured to any length from 12" to 96"

OPTIONS:

- EA** - Electrical Actuator **SF** - Security Fasteners **PULL** - Pull
- FX** - Intumescent **LS** - Light Spring **PV** - Pivot Doors
- FL** - Fire Label

NOTES:

- Adjusting the brass nut changes pressure on concealed internal spring to satisfy field conditions.
- Self-leveling door seal up to maximum 7/8" drop.
- Replacement neoprene - Part #4563N and Jacket - Part #4763N
- Unit supplied standard with 1 pair of end caps - Part 4163EC-CA. Optional Matte Black end caps are available when specified - Part Number 4163EC-MB.

LEGACY	NGP	PEMKO	ZERO
7863	-	-	368AA



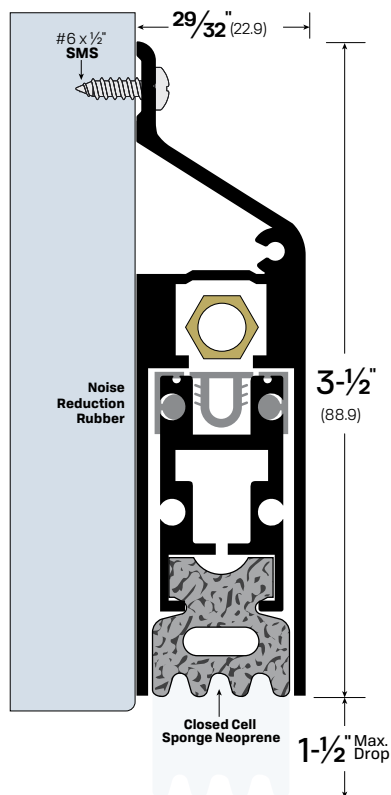
#7863CA

Extended Drop (Patent Pending)

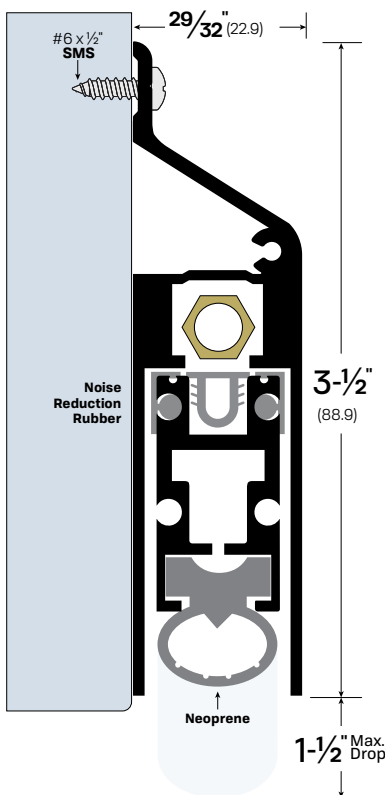
Developed in response to specific user requirements, our new extended drop automatic door bottom solves two common problems. Its integrated design features a unique sloped top casing designed to slough off rain water and prevent pooling on top of the ADB housing in exterior applications. It simplifies installation by eliminating the need for adding a separate rain drip part to the door bottom.

Providing up to a 1.5 inch drop, deeper than typical ADBs, this unit is also designed to help compensate for drop differentials found in door installations with large gradients or slope conditions on one side of the door. The deep drop can also be useful for exterior installations where floor surfaces may be degraded by weather exposure. The deeper drop allows smooth door function in spite these conditions, which can otherwise cause door bottoms to drag and stick.

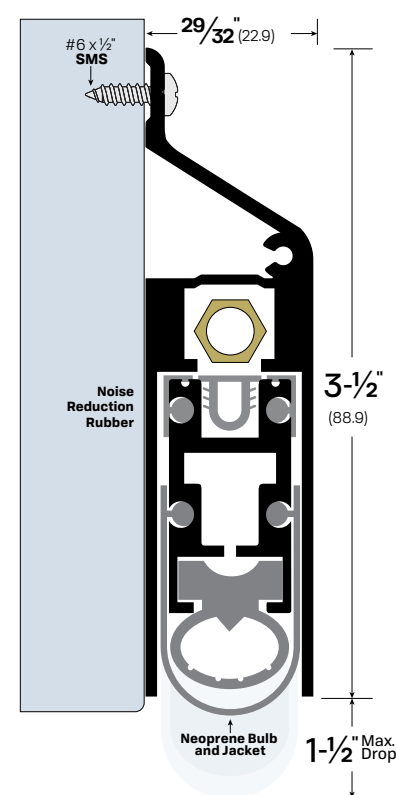
#7093



#7593



#7793



FINISHES: CA, MB, WP

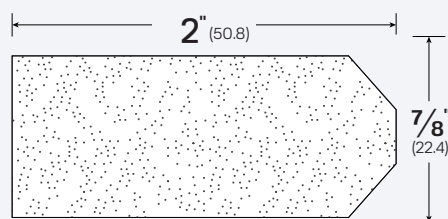
AVAILABLE SIZES: Can be manufactured to any length from 12" to 96"

OPTIONS: SF - Security Fasteners

NOTES:

- For use on doors with an excessive undercut or uneven floor.
- Adjusting the brass nut changes pressure on concealed internal spring to satisfy field conditions.
- Self-leveling door seal up to maximum 1-1/2" drop.
- Temporarily not supplied with 1 pair of end caps - Part #4093EC-CA or #4093EC-MB

#545DP Corner Dust Plug



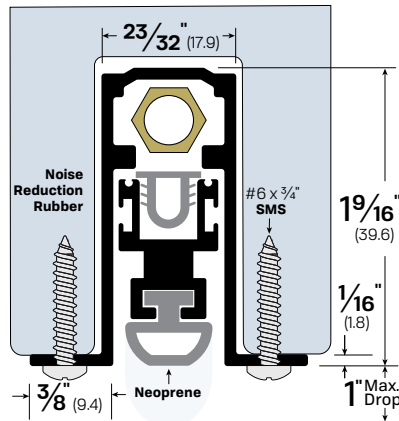
NOTES:

- Material is a grey Pile Brush
- Also available in Black (BW) and White (WH)
- Double-sided adhesive backing

HOW TO ORDER: #545DP

LEGACY	NGP	PEMKO	ZERO
545DP	54CP	ACPI12BL	2541

#7053



Mortised

FINISHES: CA

AVAILABLE SIZES: Can be manufactured to any length from 12" to 144"

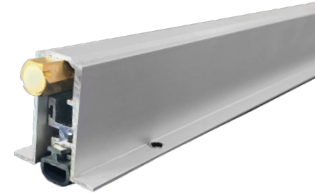
OPTIONS:

- AIR** - Air Flow
- EA** - Electrical Actuator
- LL** - Lead Lined
- LS** - Light Spring
- PULL** - Pull
- PV** - Pivot Doors
- SF** - Security Fasteners
- SL** - Sliding Doors
- TD** - Top Door Installation

NOTES:

- Adjusting the brass nut changes pressure on concealed internal spring to satisfy field conditions.
- Self-leveling door seal up to maximum 1" drop.
- Replacement neoprene - Part #4053N or optional Part #4441N
- Unit supplied standard with 1 pair of end caps - Part 4063EC-CA. Optional Matte Black end caps are available when specified - Part Number 4063EC-MB.

LEGACY	NGP	PEMKO	ZERO
7053	225N	434APKL	350AA

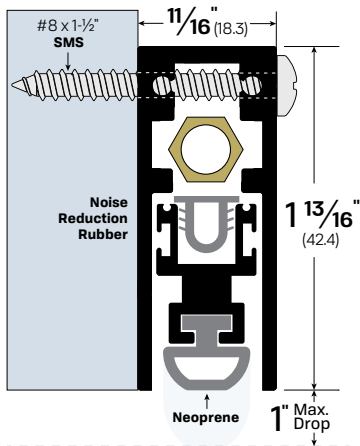


#7053CA



Optional Silicone insert
Part #4441S-BK

#7153



Surface-Mounted

FINISHES: CA, DB, MB, WP

AVAILABLE SIZES: Can be manufactured to any length from 12" to 144"

OPTIONS:

- AIR** - Air Flow
- EA** - Electrical Actuator
- FL** - Fire Label
- LL** - Lead Lined
- LS** - Light Spring
- PULL** - Pull
- PV** - Pivot Doors
- SF** - Security Fasteners
- SL** - Sliding Doors

NOTES:

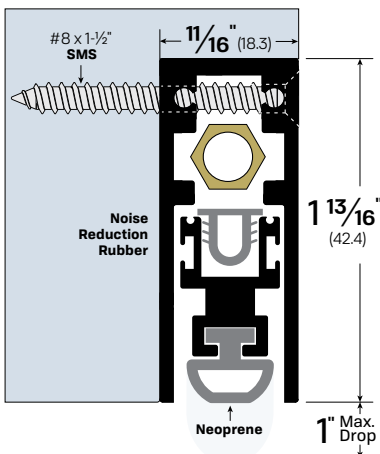
- Adjusting the brass nut changes pressure on concealed internal spring to satisfy field conditions.
- Self-leveling door seal up to maximum 1" drop.
- Replacement neoprene - Part #4053N or optional Part #4441N
- Unit supplied standard with 1 pair of end caps - Part 4153EC-CA. Optional Matte Black end caps are available when specified - Part Number 4153EC-MB.

LEGACY	NGP	PEMKO	ZERO
7153	222N	4131ASL	351AA



#7153CA

#7253



Semi-Mortised

FINISHES: CA, DB, MB, WP

AVAILABLE SIZES: Can be manufactured to any length from 12" to 144"

OPTIONS:

- AIR** - Air Flow
- EA** - Electrical Actuator
- FL** - Fire Label
- LL** - Lead Lined
- LS** - Light Spring
- SF** - Security Fasteners
- PULL** - Pull
- PV** - Pivot Doors
- SL** - Sliding Doors
- TD** - Top Door Installation

NOTES:

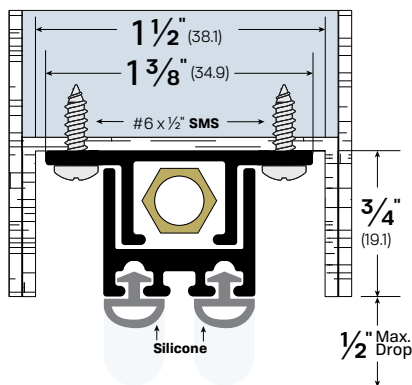
- Adjusting the brass nut changes pressure on concealed internal spring to satisfy field conditions.
- Self-leveling door seal up to maximum 1" drop.
- Replacement neoprene - Part #4053N or optional Part #4441N
- Unit supplied standard with 1 pair of end caps - Part 4153EC-CA. Optional Matte Black end caps are available when specified - Part Number 4153EC-MB.

LEGACY	NGP	PEMKO	ZERO
7253	222N	4131ASL	352AA



#7253CA

#7553



Mortised

FINISHES: MA

AVAILABLE SIZES: Can be manufactured to any length from 12" to 144"

OPTIONS:

- AIR** - Air Flow
- EA** - Electrical Actuator
- FL** - Fire Label
- LIG** - Ligature Resistant
- LS** - Light Spring
- PULL** - Pull
- PV** - Pivot Doors
- SF** - Security Fasteners
- SL** - Sliding Doors
- TD** - Top Door Installation

NOTES:

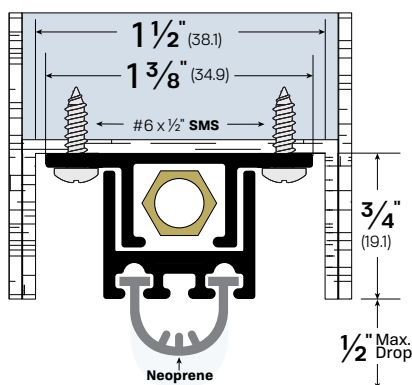
- For use on 1-3/4" and larger Hollow Metal doors
- Adjusting the brass nut changes pressure on concealed internal spring to satisfy field conditions.
- Self-leveling door seal up to maximum 1/2" drop.
- Replacement neoprene - Part #4075N
- No end caps provided



#7553CA

LEGACY	NGP	PEMKO	ZERO
7553	320N	420APK	355A

#71553



Mortised

FINISHES: MA

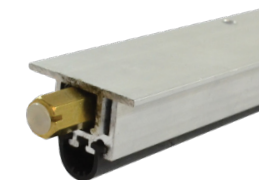
AVAILABLE SIZES: Can be manufactured to any length from 12" to 144"

OPTIONS:

- EA** - Electrical Actuator
- FL** - Fire Label
- LS** - Light Spring
- PV** - Pivot Doors
- PULL** - Pull
- SF** - Security Fasteners
- SL** - Sliding Doors
- TD** - Top Door Installation

NOTES:

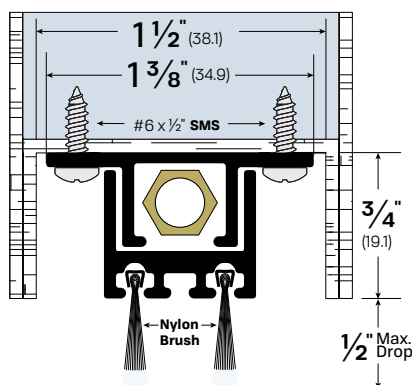
- For use on 1 3/4" and larger Hollow Metal doors
- Adjusting the brass nut changes pressure on concealed internal spring to satisfy field conditions.
- Self-leveling door seal up to maximum 1/2" drop.
- Replacement neoprene - Part #434N
- No end caps provided



#71553CA

LEGACY	NGP	PEMKO	ZERO
71553	-	-	3551A

#72553



Mortised

FINISHES: MA

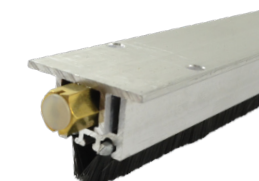
AVAILABLE SIZES: Can be manufactured to any length from 12" to 144"

OPTIONS:

- AIR** - Air Flow
- EA** - Electrical Actuator
- LS** - Light Spring
- PULL** - Pull
- LIG** - Ligature Resistant
- PV** - Pivot Doors
- SF** - Security Fasteners
- SL** - Sliding Doors
- TD** - Top Door Installation

NOTES:

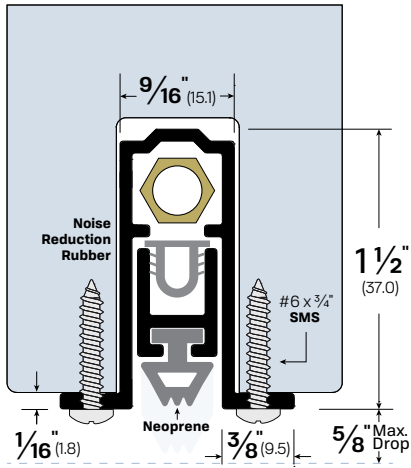
- For use on 1-3/4" and larger Hollow Metal doors
- Adjusting the brass nut changes pressure on concealed internal spring to satisfy field conditions.
- Self-leveling door seal up to maximum 1/2" drop.
- Replacement Nylon Brush - Part #4075NB
- No end caps provided



#72553CA

LEGACY	NGP	PEMKO	ZERO
72553	-	-	3552A

#7023



Mortised

FINISHES: CA

AVAILABLE SIZES: Can be manufactured to any length from 12" to 144"

OPTIONS:

- AIR** - Air Flow **LS** - Light Spring **SF** - Security Fasteners
- FL** - Fire Label **PULL** - Pull **SL** - Sliding Doors
- EA** - Electrical Actuator **PV** - Pivot Doors **TD** - Top Door Installation

NOTES:

- Adjusting the brass nut changes pressure on concealed internal spring to satisfy field conditions.
- Self-leveling door seal up to maximum 5/8" drop.
- Replacement neoprene - Part #4023N
- Unit supplied standard with 1 pair of end caps - Part 4063EC-CA. Optional Matte Black end caps are available when specified - Part Number 4063EC-MB.

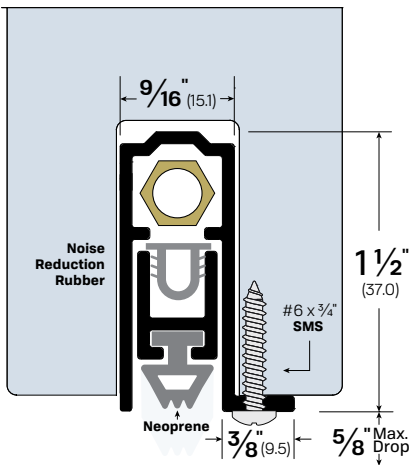
LEGACY	NGP	PEMKO	ZERO
7023	335N	411ARL	320AA



#7023CA



#7323



Mortised

FINISHES: CA

AVAILABLE SIZES: Can be manufactured to any length from 12" to 144"

OPTIONS:

- AIR** - Air Flow **LS** - Light Spring **SF** - Security Fasteners
- EA** - Electrical Actuator **PULL** - Pull **SL** - Sliding Doors
- FL** - Fire Label **PV** - Pivot Doors **TD** - Top Door Installation

NOTES:

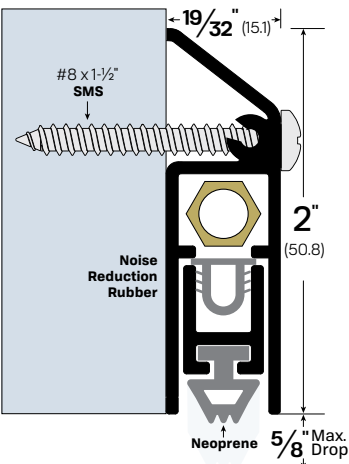
- For doors smaller than 1-3/4"
- Adjusting the brass nut changes pressure on concealed internal spring to satisfy field conditions.
- Self-leveling door seal up to maximum 5/8" drop.
- Unit is handed and can be reversed upon request.
- Replacement neoprene - Part #4023N
- Unit supplied standard with 1 pair of end caps - Part 4063EC-CA. Optional Matte Black end caps are available when specified - Part Number 4063EC-MB.

LEGACY	NGP	PEMKO	ZERO
7323	-	-	323AA



#7323CA

#7123



Surface-Mounted

FINISHES: CA, DB, MB, WP

AVAILABLE SIZES: Can be manufactured to any length from 12" to 144"

OPTIONS:

- AIR** - Air Flow **LS** - Light Spring **SF** - Security Fasteners
- EA** - Electrical Actuator **PULL** - Pull **SL** - Sliding Doors
- FL** - Fire Label **PV** - Pivot Doors

NOTES:

- Adjusting the brass nut changes pressure on concealed internal spring to satisfy field conditions.
- Self-leveling door seal up to maximum 5/8" drop.
- Unit is handed and can be reversed upon request.
- Replacement neoprene - Part #4023N
- No end caps provided

LEGACY	NGP	PEMKO	ZERO
7123	220N	412ARL	321AA



#7123CA

Air Flow (Patent Pending)

This option allows free flow of air while still blocking light at the bottom of the door. Useful for applications with pressure differentials, such as boiler room doors, it is also a practical solution for certain hotel room and stairwell applications.

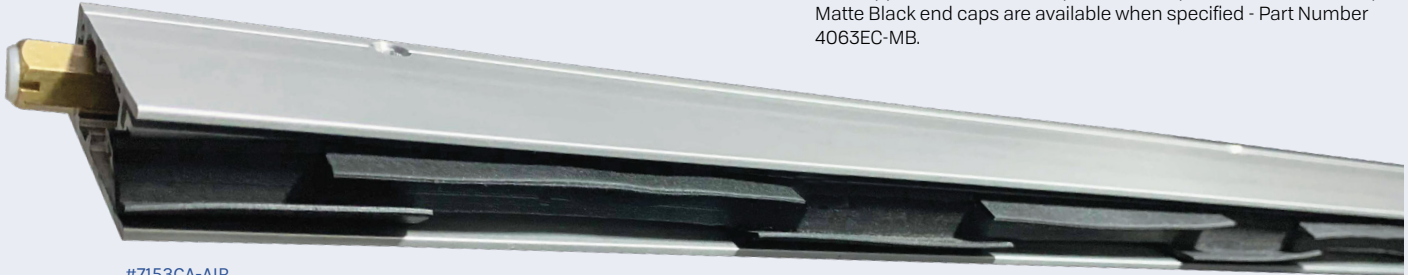
Our AIR design features double rows of notched and staggered neoprene seals for effective air flow. Legacy automatic door bottoms offered with the AIR option include a unique mortised model for wood doors, along with standard semi-mortised and surface-mounted models.

LEGACY	7053-AIR	7153-AIR	7253-AIR
NGP	-	-	-
PEMKO	-	-	-
ZERO	-	-	-

AVAILABLE SIZES: Can be manufactured to any length from 12" to 144"

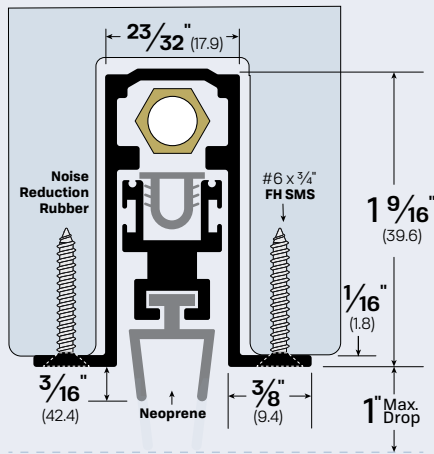
NOTES:

- Adjusting the brass nut changes pressure on concealed internal spring to satisfy field conditions.
- Self-leveling door seal up to maximum 1" drop.
- Replacement neoprene - Part #4033N
- Unit supplied standard with 1 pair of end caps - Part 4063EC-CA. Optional Matte Black end caps are available when specified - Part Number 4063EC-MB.



#7153CA-AIR

#7053-AIR

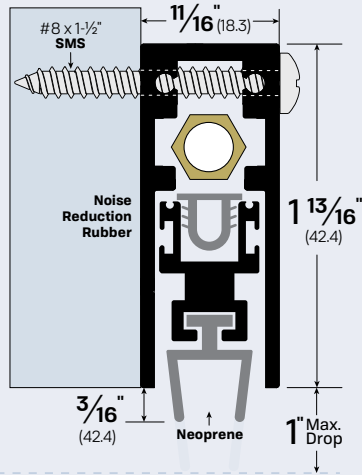


FINISHES: CA

OPTIONS:

- EA - Electrical Actuator PV - Pivot Door
 LS - Light Spring SF - Security Fasteners
 PULL - Pull

#7153-AIR

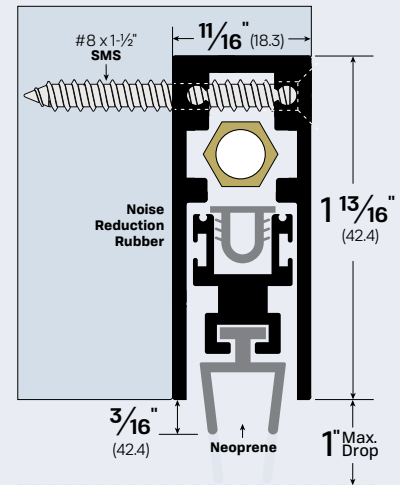


FINISHES: CA, DB, MB, WP

OPTIONS:

- EA - Electrical Actuator PV - Pivot Door
 LS - Light Spring SF - Security Fasteners
 PULL - Pull

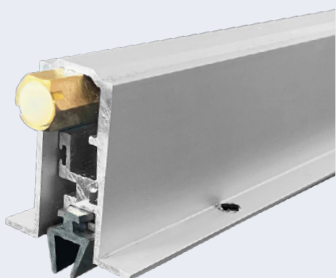
#7253-AIR



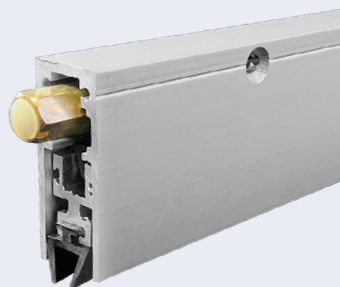
FINISHES: CA, DB, MB, WP

OPTIONS:

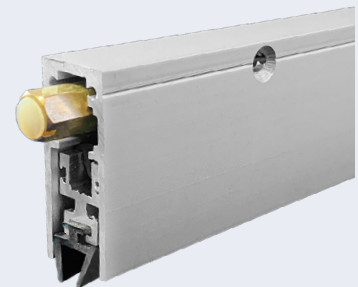
- EA - Electrical Actuator PV - Pivot Door
 LS - Light Spring SF - Security Fasteners
 PULL - Pull



#7053CA-AIR

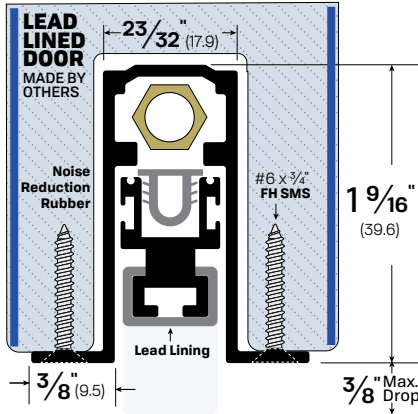


#7153CA-AIR



#7253CA-AIR

#7053-LL



Mortised

FINISHES: CA

AVAILABLE SIZES - Can be manufactured to any length from 12" to 48"

OPTIONS:

- | | | |
|---------------------------------|--------------------------------|-----------------------------------|
| EA - Electrical Actuator | PULL - Pull | SL - Sliding Doors |
| LL - Lead Lined | PV - Pivot Doors | TD - Top Door Installation |
| LS - Light Spring | SF - Security Fasteners | |

NOTES:

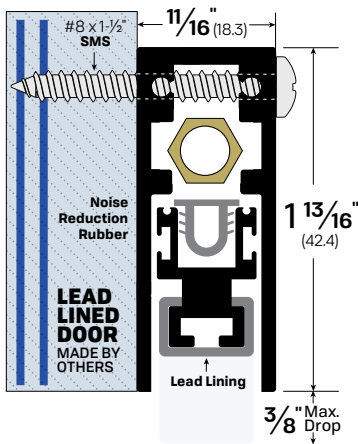
- Lead Lined material for X-Ray protection
- Adjusting the brass nut changes pressure on concealed internal spring to satisfy field conditions.
- Self-leveling door seal up to maximum 3/8" drop.
- Unit supplied standard with 1 pair of end caps - Part 4063EC-CA. Optional Matte Black end caps are available when specified - Part Number 4063EC-MB.

LEGACY	NGP	PEMKO	ZERO
7053-LL	222NN-LL	-	-



#7053CA-LL

#7153-LL



Surface-Mounted

FINISHES: CA, DB, MB, WP

AVAILABLE SIZES - Can be manufactured to any length from 12" to 48"

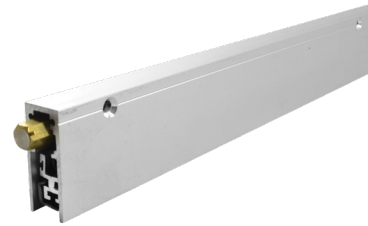
OPTIONS:

- | | | |
|---------------------------------|--------------------------------|-----------------------------------|
| EA - Electrical Actuator | PV - Pivot Doors | SL - Sliding Doors |
| LL - Lead Lined | SF - Security Fasteners | TD - Top Door Installation |
| PULL - Pull | | |

NOTES:

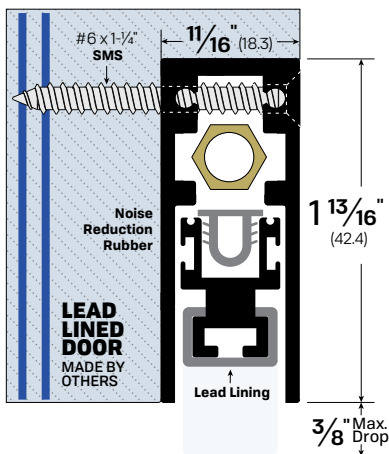
- Lead Lined material for X-Ray protection
- Adjusting the brass nut changes pressure on concealed internal spring to satisfy field conditions.
- Self-leveling door seal up to maximum 3/8" drop.
- Unit supplied standard with 1 pair of end caps - Part 4153EC-CA. Optional Matte Black end caps are available when specified - Part Number 4153EC-MB.

LEGACY	NGP	PEMKO	ZERO
7153-LL	222NN-LL	-	-



#7153CA-LL

#7253-LL



Semi-Mortised

FINISHES: CA, DB, MB, WP

AVAILABLE SIZES - Can be manufactured to any length from 12" to 48"

OPTIONS:

- | | | |
|---------------------------------|---------------------------|-----------------------------------|
| EA - Electrical Actuator | PV - Pivot Doors | TD - Top Door Installation |
| LL - Lead Lined | SL - Sliding Doors | SF - Security Fasteners |
| LS - Light Spring | | |

NOTES:

- Lead Lined material for X-Ray protection
- Adjusting the brass nut changes pressure on concealed internal spring to satisfy field conditions.
- Self-leveling door seal up to maximum 3/8" drop.
- Unit supplied standard with 1 pair of end caps - Part 4153EC-CA. Optional Matte Black end caps are available when specified - Part Number 4153EC-MB.

LEGACY	NGP	PEMKO	ZERO
7253-LL	222NN-LL	-	-



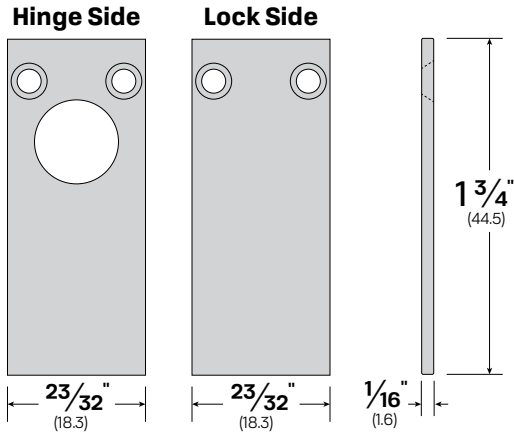
#7253CA-LL

End Caps

NOTES:

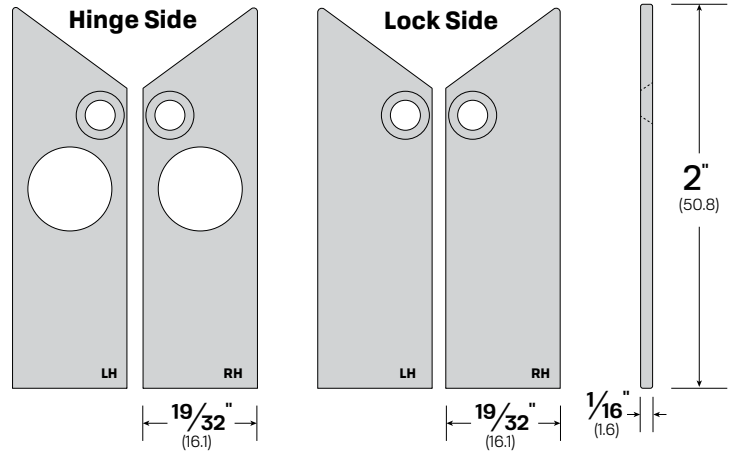
- Standard finish is Aluminum Powder Coat (AP). Pair supplied standard as noted below.
- Matte Black (MB) finish option is available. Example Order: #4153EC-MB

#4153EC



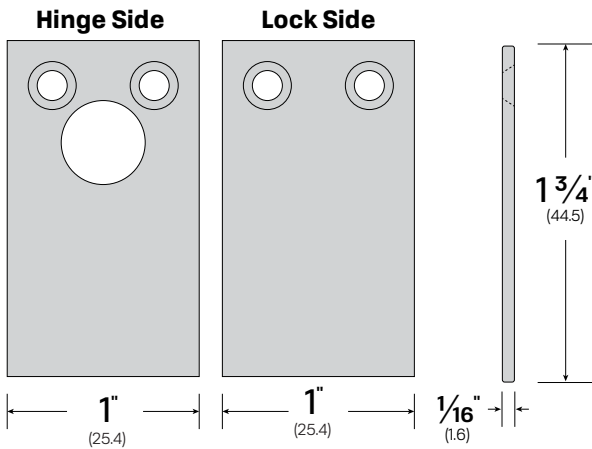
#4153EC-AP or #4153EC-MB
 Pair supplied standard with: #7153, #7253

#4123EC



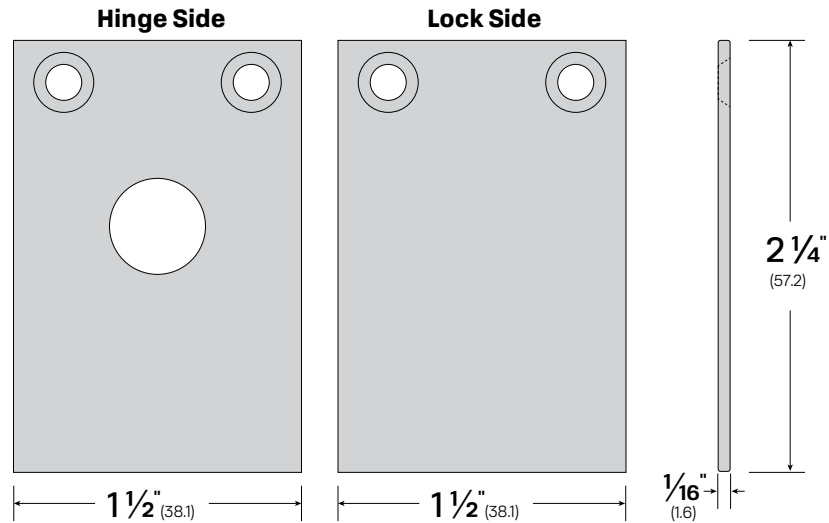
#4123EC-AP or #4123EC-MB
 Pair supplied standard with: #7123

#4163EC



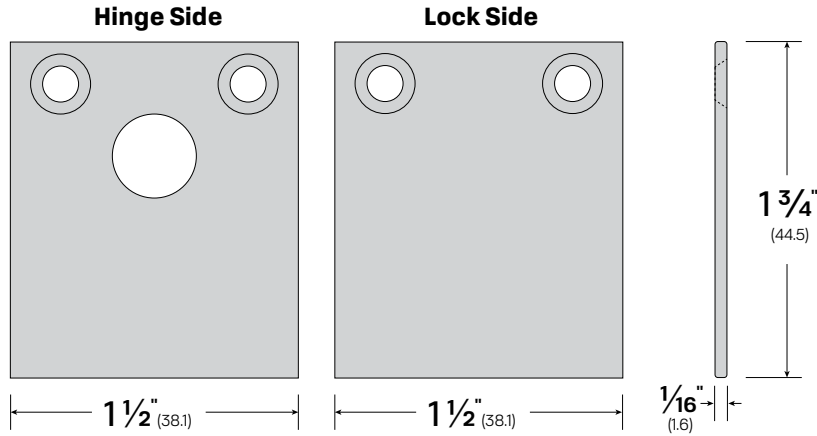
#4163EC-AP or #4163EC-MB
 Pair supplied standard with: #7163, #7263, #7563,
 #7663, #7763, #7863

#4063EC



#4063EC-AP or #4063EC-MB
 Pair supplied standard with: #7023, #7053, #7063, #7323, #7463, #7963

#4023EC



#4023EC-AP or **#4023EC-MB**
 Pair supplied standard with: #7023

#50MMNUT

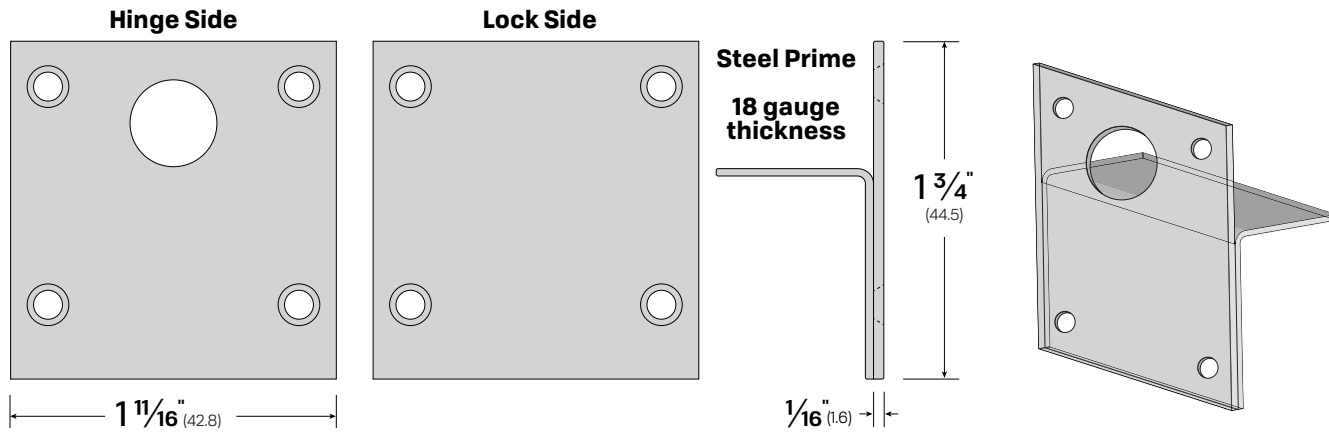
Extension Nut



NOTES:

- Longer than standard hexnut.
- Compensates for unusually large gap between the door and frame.

#749EC



#749EC-SP
 Optional end cap for mortised door bottoms with the PULL option. Specify #749EC to order.