



LEGACY
MANUFACTURING

Our Legacy is Quality . . . Our Focus is Customer Service

Sealing Systems for Architectural Openings

Legacy Manufacturing is a young, resourceful company solidly rooted in almost 100 years of experience, innovation and advanced technology dedicated to providing superior sealing systems for architectural openings. Our engineered parts and systems offer proven solutions to the wide range of security and life safety challenges the building team faces to ensure reliable performance in those openings. And we offer an unequaled range of product features and options for maximum specification flexibility.

On-site manufacturing and proprietary processes enable us to provide best-in-industry turnaround on parts orders. Hands-on manufacturing control also allows us to ensure consistent, unsurpassed quality in our products. We produce all rubber for our products at our plant in Ohio, making Legacy the only U.S. source in our industry for the high-quality rubber extrusions so critical to door sealing performance.

Custom orders are our special strength. We are uniquely equipped to respond promptly to specific architect or owner requirements and provide documented design solutions for your approval. Our turnaround on customized

Legacy solutions is setting new standards for the industry— depending on those requirements, specification to shipment can take as little as two days.

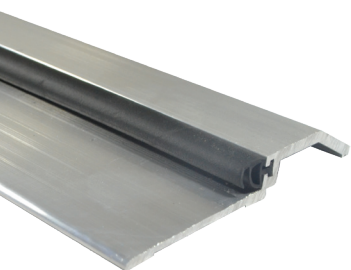
Our capabilities and commitment also provide unique value to our OEM partners. Legacy engineers can assist you in developing proprietary OEM programs for integrated product design and independent laboratory testing. In addition to configuring sealing systems, including intumescent and high-performance acoustical applications, we are able to manufacture rubber formulations to customer specifications, or developed collaboratively.

Legacy's comprehensive offering of parts and integrated systems shown in this catalog reflects a long tradition of expertise and responsiveness in problem-solving for the door and hardware industry. Above all, we place a premium on providing the expert support you expect and need. From answering basic product and installation questions to the most complex customization requirements, our friendly, highly-trained customer service team is standing by and ready to help.

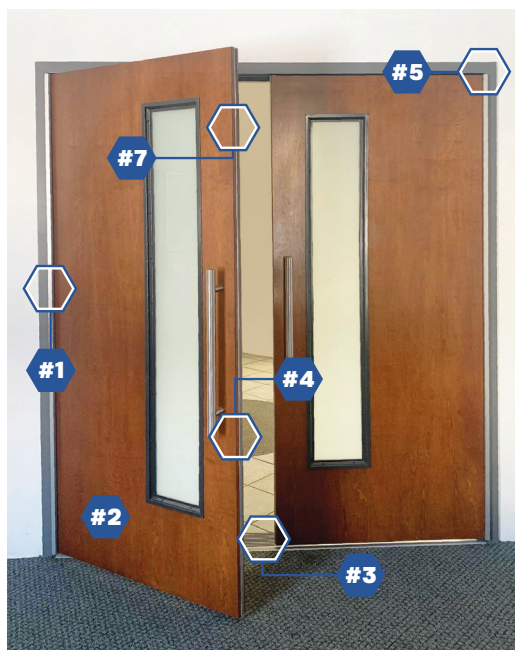
LEGACY'S Product Code

The **first number** of each product code identifies where the product is **installed** in the opening. Other components of our product codes are explained in the How To Order sections of this catalog.

EXAMPLE - #3465MA is a threshold mounted to the floor.



#3465MA



- #1** Products mounted to the **door and frame**, such as hinges and finger protection.
- #2** Products that do not have a specific mounting location, such as acoustical sheets.
- #3** Products mounted to the **floor or wall**, such as thresholds and saddles.
- #4** **Sub-components** or **sub-assemblies**, such as replacement rubber parts.
- #5** Products attached to a **frame**, such as perimeter gasketing.
- #6** Specifiable **sealing systems and configurations**.
- #7** Products attached to a **door**, such as automatic door bottoms, sweeps and astragals.



#7763CA

Automatic Door Bottoms

- How to Order
- Heavy Duty
- Heavy Duty Extended Drop
- Corner Dust Plug
- Regular Duty
- Hollow Metal Doors
- Light Duty
- Air Flow
- Lead Lined for X-Ray Protection
- End Caps

Door Sweeps

- How To Order
- Surface-Mounted
- Adjustable
- Oversized
- Air Flow
- Mortised
- Stainless Steel
- Rain Drip

Thresholds

- How To Order
- Accessories
- Options
- Adjustable Thresholds
- Aluminum Thresholds (1/4")
- Aluminum Thresholds (1/2")
- Rabbeted Thresholds
- Half-Saddles
- Carpet Saddles
- Stop Strips
- Thermal Breaks

4 - 15

- Ramps
- Interlocking Aluminum
- Interlocking Bronze
- Architectural Bronze
- Expansion Joint Plates
- Diamond Plates
- Stainless Steel
- Rubber Thresholds

Self-Adhesive Gasketing

- How To Order
- Silicone with PSA
- Kerf Gasketing
- Sponge Rubber

Perimeter Seals

- How To Order
- Strike Plate Mounting Brackets
- Adjustable
- Stainless Steel
- Mechanically Fastened

16 - 25

Meeting Stiles / Astragals

- How to Order
- Meeting Stiles
- Both Doors Active
- Mortised
- Overlapping Astragals
- Glass Door Gasketing

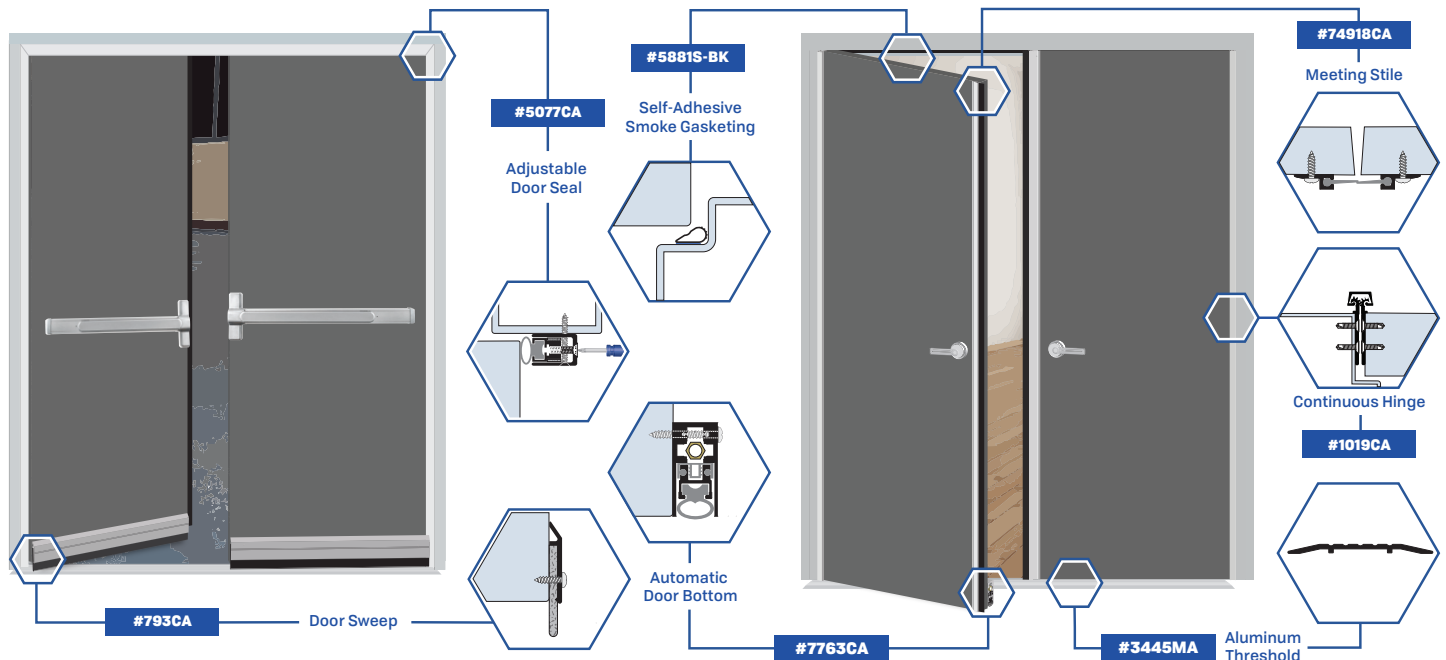
Specialty Hinges

- Continuous Hinges
- Finger Guard Protection
- Acoustical Cam Lift Hinges

26 - 44

Fully Integrated Sealing Solutions

Legacy provides both integrated systems and individual components for door openings, such as these representative assemblies.



Accurate Weatherstripping

- How To Order
- Interlocking Metal Weatherstrips
- Hinge Door Springs

Flood Barriers

- How To Order
- Standard Openings
- Oversized Openings
- Flood Barrier Enclosures

Specialized Systems & Applications

- Acoustical Systems
- Miscellaneous Systems
- Automatic Door Bottom on Stand-By
- Nitrile
- EMI/RFI Systems
- Sliding Door System
- Ligature Resistant System
- Acoustical Vision
- Acoustical Soundproofing Insulation
- Fire Protection Material
- Legacy Rubber

Technical Data

- Materials
- Finishes
- Options
- Symbols & Standards
- Replacement Part Index
- Parts Index

70 - 73

- 70
- 71 - 73
- 72

74 - 79

- 75
- 76-77
- 78
- 79

80 - 91

- 80-82
- 83
- 84
- 85
- 85
- 86
- 87
- 88
- 89
- 90
- 91

92 - 99

- 92
- 93
- 94-95
- 96
- 97
- 98-99

Automatic Door Bottoms (ADB)

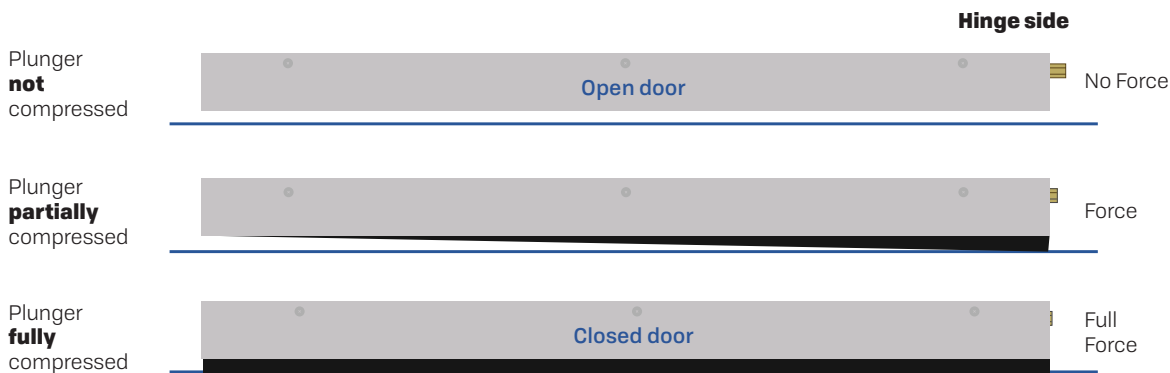
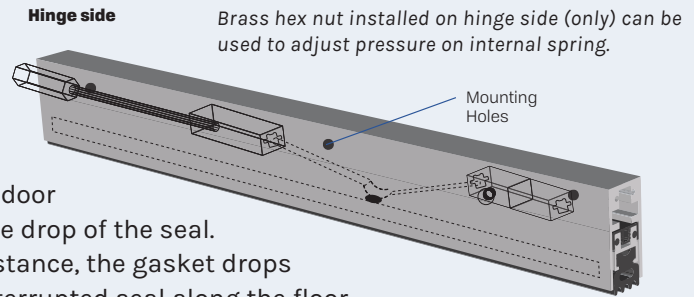
Legacy automatic door bottoms (ADBs) are designed and built using proprietary rubber and highest-quality housings for superior performance and durability, even under the most challenging installed conditions. The proof is in our exhaustive cycle testing in the lab. And the best measure of performance over many years in the field is the sound of silence from satisfied customers.

Legacy's ADB product line is unsurpassed in the industry for scope and versatility. Used primarily for blocking air, noise, smoke and fire, Legacy ADBs are also available for specialized applications, such as electrical actuation, X-ray protection or allowing free air flow. Additional options help specifiers optimize the utility of our models for specific applications, and we offer a wide range of anodized and powder-coated finishes. Recent enhancements provide simplified interior design for better service life and maintenance.

Patent-pending technology

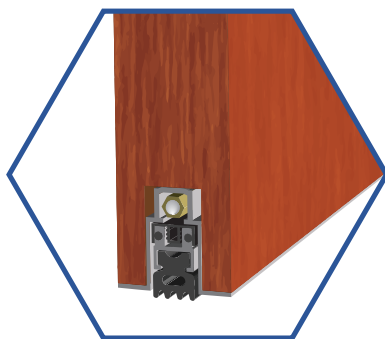
The technology for reliable performance is the same for all standard Legacy ADBs. The rubber seal along the bottom of the unit is concealed when the door is open.

As the door closes, compression of a plunger against the door frame activates a flat spring mechanism that controls the drop of the seal. Operating from the hinge side to eliminate drag and resistance, the gasket drops down smoothly in a scissor-like motion creating an uninterrupted seal along the floor. This self-leveling operation ensures a tight seal even on uneven surfaces. An adjustable brass hex nut attached to the plunger provides additional control to satisfy field conditions.

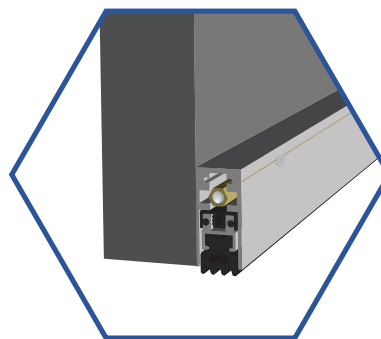


Tested over
5 million
cycles

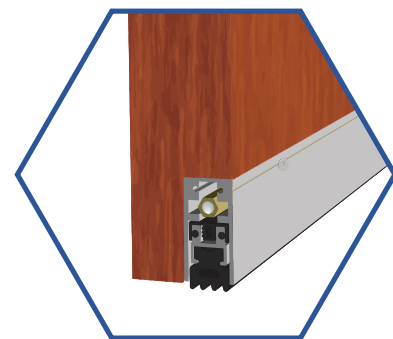
Mounting Options



Mortised
#7063CA



Surface-Mounted
#7163CA



Semi-Mortised
#7263CA

How To Order: Automatic Door Bottoms

Example #7463CA-FX-36

Easy Ways To Order
Email

Orders@LegacyLLC.com

Phone

 Local: +1 (718) 292-5333
 Toll Free: +1 (888) 383-3330

Fax

+1 (888) 383-3330

PART NUMBER & FINISH - OPTIONS - LENGTH (IN)

7463 CA - FX - 36

PART NUMBER

| | | |
|------|-------|-----------------|
| 7023 | 7553 | End Caps |
| 7053 | 7563 | 749EC |
| 7063 | 7593 | 4063EC |
| 7093 | 7663 | 4123EC |
| 7123 | 7763 | 4153EC |
| 7153 | 7793 | 4163EC |
| 7163 | 7863 | |
| 7253 | 7963 | Misc. |
| 7263 | 71553 | 50MMNUT |
| 7323 | 72553 | 545DP |
| 7463 | | |

FINISH

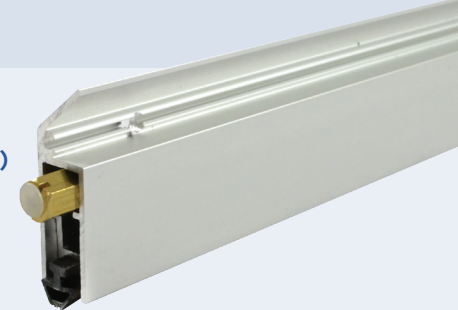
Finishes vary by product. Please check available finishes listed for each product.

- CA** - Clear Anodized
- DB** - Dark Bronze Anodized
- MA** - Mill Aluminum
- MB** - Matte Black Powder Coat
- WP** - White Powder Coat

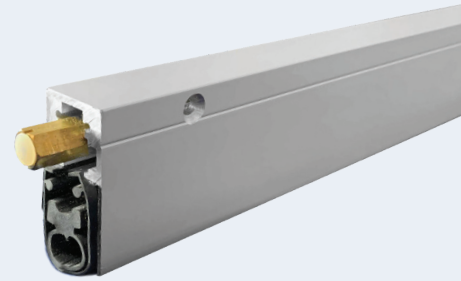
OPTIONS

Options vary by product. Please check available options listed for each product.

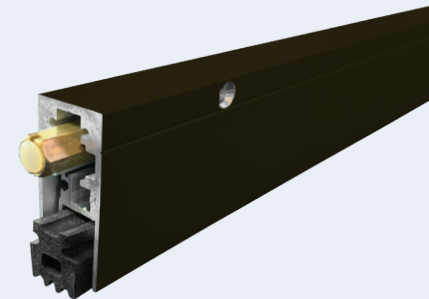
- | | | |
|---|---------------------------------|-----------------------------------|
| Blank - No Option | FL - Fire Label | PULL - Pull |
| AIR - Air Flow | FX - Intumescent | PV - Pivot Doors |
| EA - Electrical Actuator | LIG - Ligature Resistant | SF - Security Fasteners |
| EMI/RFI - Electromagnetic / Radio Frequency Interference | LL - Lead Lined | SL - Sliding Doors |
| EP - Extended Plunger | LS - Light Spring | TD - Top Door Installation |

LENGTH
AVAILABLE SIZES - Can be manufactured to any length from 12" to 144". Please specify to nearest 1/16"


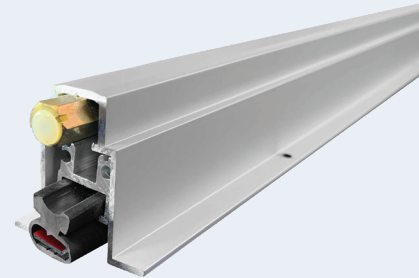
#7123CA



#7763CA



#7163DB

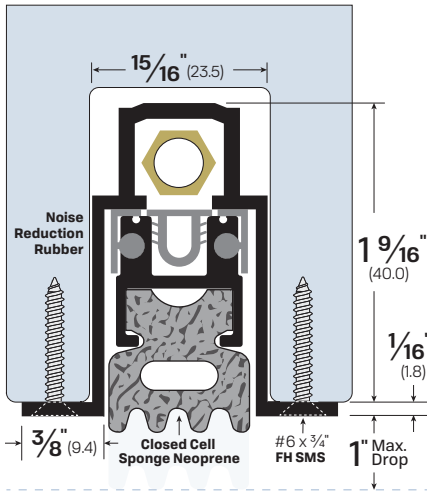


#7463CA-FX



#7553MA

#7063



Mortised

FINISHES: CA

AVAILABLE SIZES: Can be manufactured to any length from 12" to 144"

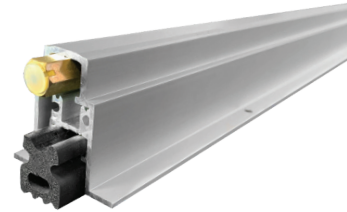
OPTIONS:

- | | | |
|---------------------------------|--------------------------------|-----------------------------------|
| EA - Electrical Actuator | PULL - Pull | SL - Sliding Doors |
| FL - Fire Label | PV - Pivot Doors | TD - Top Door Installation |
| LS - Light Spring | SF - Security Fasteners | |

NOTES:

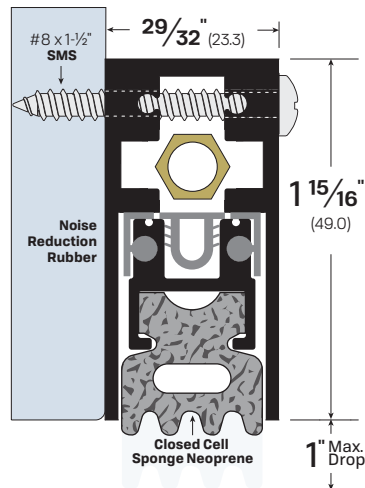
- Adjusting the brass nut changes pressure on concealed internal spring to satisfy field conditions.
- Self-leveling door seal up to maximum 1" drop.
- Replacement closed cell sponge neoprene - Part #4363SPR
- Unit supplied with 1 pair of end caps - Part #4063EC-CA or #4063EC-MB

| LEGACY | NGP | PEMKO | ZERO |
|-------------|------|--------|-------|
| 7063 | 423N | 434ARL | 360AA |



#7063CA

#7163



Surface-Mounted

FINISHES: CA, DB, MB, WP

AVAILABLE SIZES: Can be manufactured to any length from 12" to 144"

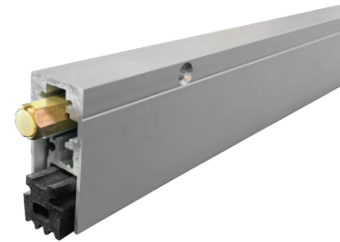
OPTIONS:

- | | | |
|---------------------------------|-------------------------|--------------------------------|
| EA - Electrical Actuator | PULL - Pull | SF - Security Fasteners |
| FL - Fire Label | PV - Pivot Doors | SL - Sliding Doors |
| LS - Light Spring | | |

NOTES:

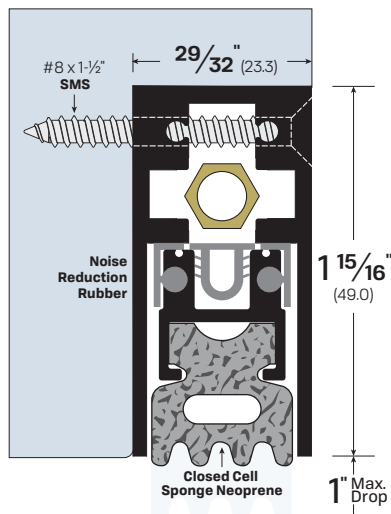
- Adjusting the brass nut changes pressure on concealed internal spring to satisfy field conditions.
- Self-leveling door seal up to maximum 1" drop.
- Replacement closed cell sponge neoprene - Part #4363SPR
- Unit supplied with 1 pair of end caps - Part #4163EC-CA or #4163EC-MB

| LEGACY | NGP | PEMKO | ZERO |
|-------------|------|--------|-------|
| 7163 | 420N | 430ARL | 361AA |



#7163CA

#7263



Semi-Mortised

FINISHES: CA, DB, MB, WP

AVAILABLE SIZES: Can be manufactured to any length from 12" to 144"

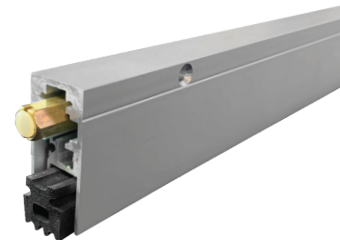
OPTIONS:

- | | | |
|---------------------------------|--------------------------------|-----------------------------------|
| EA - Electrical Actuator | PULL - Pull | SL - Sliding Doors |
| FL - Fire Label | PV - Pivot Doors | TD - Top Door Installation |
| LS - Light Spring | SF - Security Fasteners | |

NOTES:

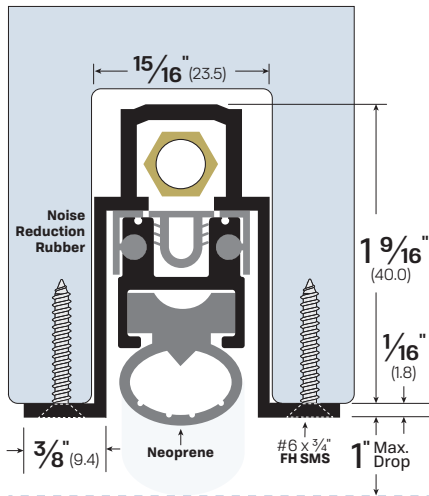
- Adjusting the brass nut changes pressure on concealed internal spring to satisfy field conditions.
- Self-leveling door seal up to maximum 1" drop.
- Replacement closed cell sponge neoprene - Part #4363SPR
- Unit supplied with 1 pair of end caps - Part #4163EC-CA or #4163EC-MB

| LEGACY | NGP | PEMKO | ZERO |
|-------------|--------|--------|-------|
| 7263 | 420NHM | 430ARL | 362AA |



#7263CA

#7463



Mortised

FINISHES: CA

AVAILABLE SIZES: Can be manufactured to any length from 12" to 144"

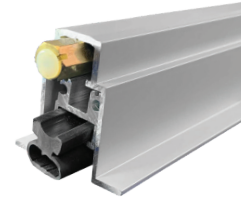
OPTIONS:

- | | | |
|---------------------------------|--------------------------|-----------------------------------|
| EA - Electrical Actuator | LS - Light Spring | SF - Security Fasteners |
| FL - Fire Label | PULL - Pull | SL - Sliding Doors |
| FX - Intumescent | PV - Pivot Doors | TD - Top Door Installation |

NOTES:

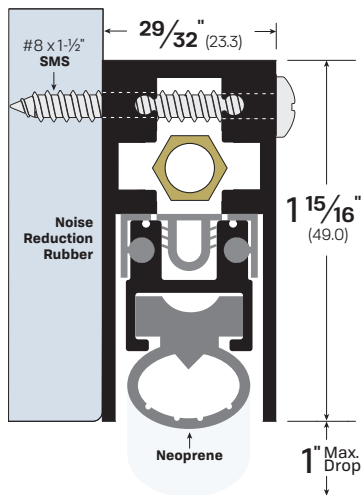
- Adjusting the brass nut changes pressure on concealed internal spring to satisfy field conditions.
- Self-leveling door seal up to maximum 1" drop.
- Replacement closed cell sponge neoprene - Part #4563N
- Unit supplied with 1 pair of end caps - Part #4063EC-CA or #4063EC-MB

| LEGACY | NGP | PEMKO | ZERO |
|-------------|------|---------|-------|
| 7463 | 522N | 434APKL | 364AA |



#7463CA

#7563



Surface-Mounted

FINISHES: CA, DB, MB, WP

AVAILABLE SIZES: Can be manufactured to any length from 12" to 144"

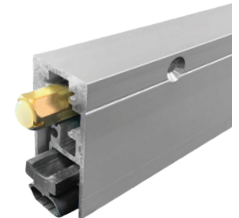
OPTIONS:

- | | | |
|---|--------------------------|--------------------------------|
| EA - Electrical Actuator | FL - Fire Label | PV - Pivot Doors |
| EMI/RFI - Electromagnetic/Radio Frequency Interference | FX - Intumescent | SF - Security Fasteners |
| | LS - Light Spring | SL - Sliding Doors |
| | PULL - Pull | |

NOTES:

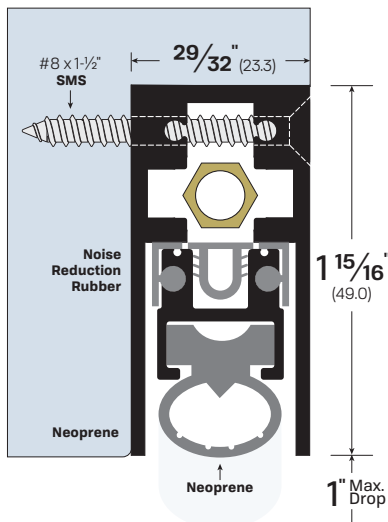
- Adjusting the brass nut changes pressure on concealed internal spring to satisfy field conditions.
- Self-leveling door seal up to maximum 1" drop.
- Replacement neoprene - Part #4563N
- Unit supplied with 1 pair of end caps - Part #4163EC-CA or #4163EC-MB

| LEGACY | NGP | PEMKO | ZERO |
|-------------|------|----------|-------|
| 7563 | 520N | 4301APKL | 365AA |



#7563CA

#7663



Semi-Mortised

FINISHES: CA, DB, MB, WP

AVAILABLE SIZES: Can be manufactured to any length from 12" to 144"

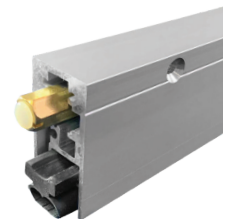
OPTIONS:

- | | | |
|---|--------------------------|-----------------------------------|
| EA - Electrical Actuator | FL - Fire Label | PV - Pivot Doors |
| EMI/RFI - Electromagnetic/Radio Frequency Interference | FX - Intumescent | SF - Security Fasteners |
| | LS - Light Spring | SL - Sliding Doors |
| | PULL - Pull | TD - Top Door Installation |

NOTES:

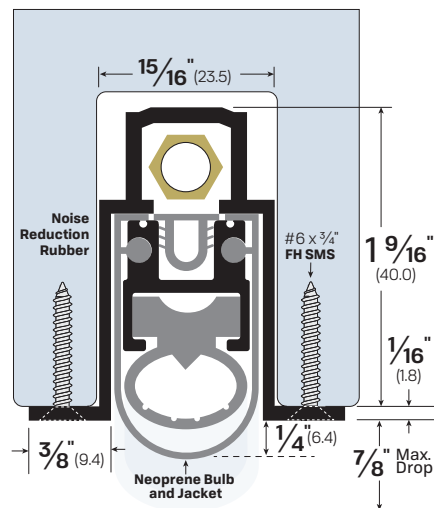
- Adjusting the brass nut changes pressure on concealed internal spring to satisfy field conditions.
- Self-leveling door seal up to maximum 1" drop.
- Replacement neoprene - Part #4563N
- Unit supplied with 1 pair of end caps - Part #4163EC-CA or #4163EC-MB

| LEGACY | NGP | PEMKO | ZERO |
|-------------|--------|----------|-------|
| 7663 | 520NHM | 4301APKL | 366AA |



#7663CA

#7963



Mortised

FINISHES: CA

AVAILABLE SIZES: Can be manufactured to any length from 12" to 96"

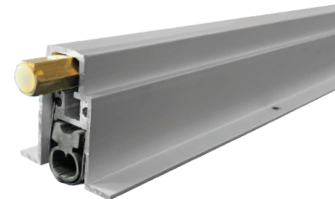
OPTIONS:

EA - Electrical Actuator **FX** - Intumescent **PV** - Pivot Doors
FL - Fire Label **PULL** - Pull **SF** - Security Fasteners

NOTES:

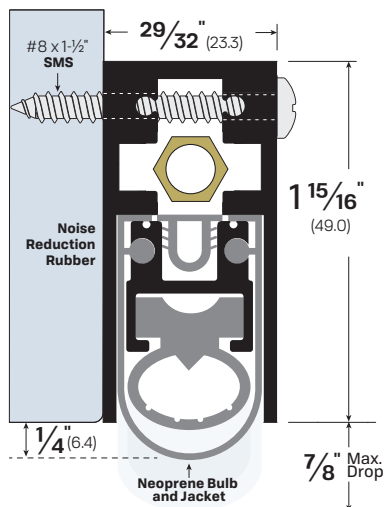
- Adjusting the brass nut changes pressure on concealed internal spring to satisfy field conditions.
- Self-leveling door seal up to maximum 7/8" drop.
- Replacement neoprene - Part #4563N and Jacket - Part #4763N
- Unit supplied with 1 pair of end caps - Part #4063EC-CA or #4063EC-MB

| LEGACY | NGP | PEMKO | ZERO |
|-------------|-----|-------|-------|
| 7963 | - | - | 369AA |



#7963CA

#7763



Surface-Mounted

FINISHES: CA, DB, MB, WP

AVAILABLE SIZES: Can be manufactured to any length from 12" to 96"

OPTIONS:

EA - Electrical Actuator **FX** - Intumescent **PV** - Pivot Doors
FL - Fire Label **PULL** - Pull **SF** - Security Fasteners

NOTES:

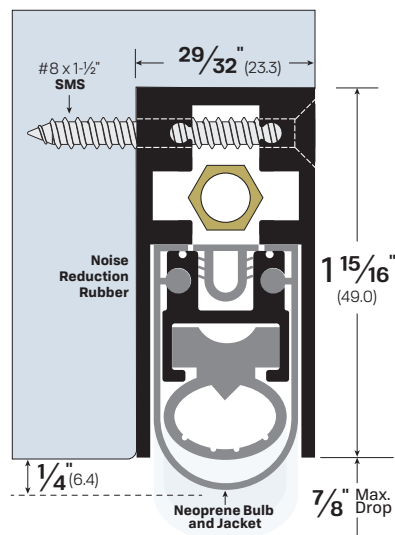
- Adjusting the brass nut changes pressure on concealed internal spring to satisfy field conditions.
- Self-leveling door seal up to maximum 7/8" drop.
- Replacement neoprene - Part #4563N and Jacket - Part #4763N
- Unit supplied with 1 pair of end caps - Part #4163EC-CA or #4163EC-MB

| LEGACY | NGP | PEMKO | ZERO |
|-------------|-----|-------|-------|
| 7763 | - | - | 367AA |



#7763CA

#7863



Semi-Mortised

FINISHES: CA, DB, MB, WP

AVAILABLE SIZES: Can be manufactured to any length from 12" to 96"

OPTIONS:

EA - Electrical Actuator **FL** - Fire Label **PULL** - Pull
FX - Intumescent **SF** - Security Fasteners **PV** - Pivot Doors

NOTES:

- Adjusting the brass nut changes pressure on concealed internal spring to satisfy field conditions.
- Self-leveling door seal up to maximum 7/8" drop.
- Replacement neoprene - Part #4563N and Jacket - Part #4763N
- Unit supplied with 1 pair of end caps - Part #4163EC-CA or #4163EC-MB

| LEGACY | NGP | PEMKO | ZERO |
|-------------|-----|-------|-------|
| 7863 | - | - | 368AA |



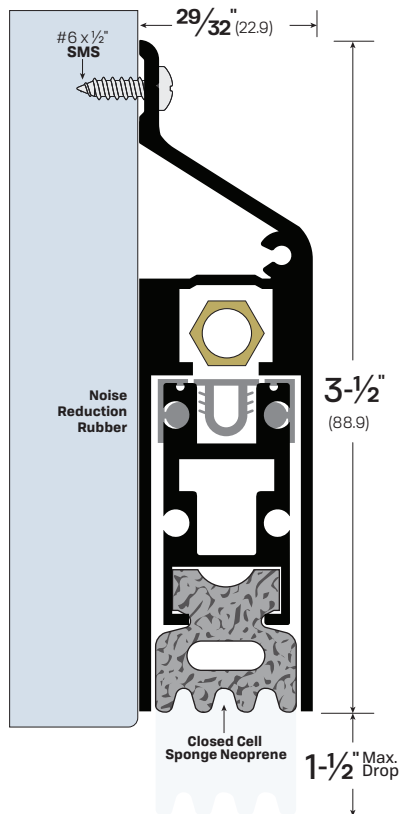
#7863CA

Extended Drop (Patented)

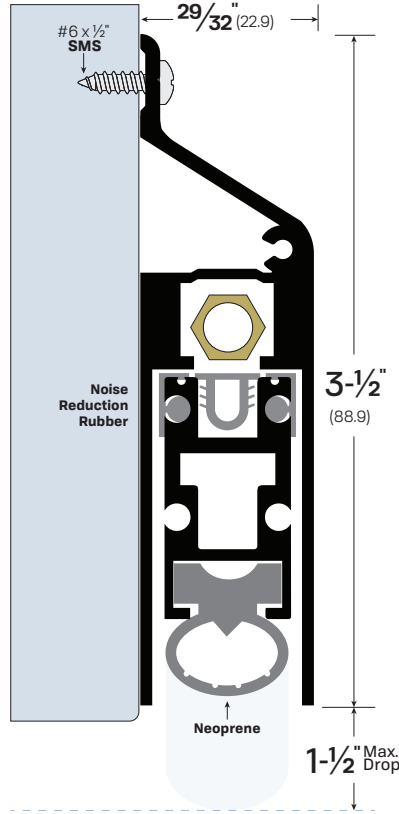
Developed in response to specific user requirements, our new extended drop automatic door bottom solves two common problems. Its integrated design features a unique sloped top casing designed to slough off rain water and prevent pooling on top of the ADB housing in exterior applications. It simplifies installation by eliminating the need for adding a separate rain drip part to the door bottom.

Providing up to a 1.5 inch drop, deeper than typical ADBs, this unit is also designed to help compensate for drop differentials found in door installations with large gradients or slope conditions on one side of the door. The deep drop can also be useful for exterior installations where floor surfaces may be degraded by weather exposure. The deeper drop allows smooth door function in spite these conditions, which can otherwise cause door bottoms to drag and stick.

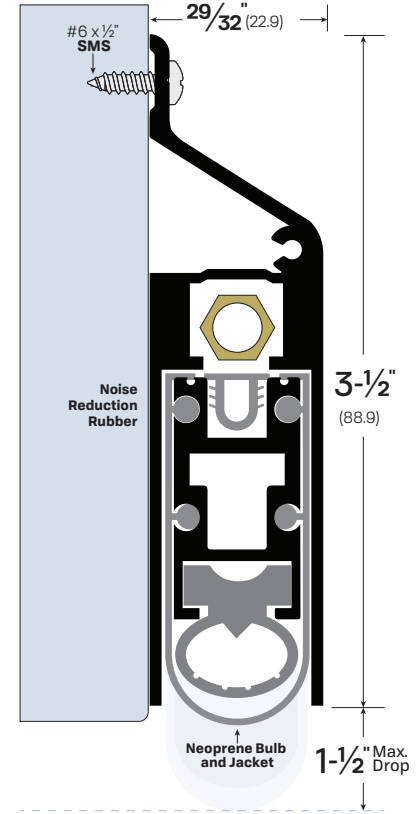
#7093



#7593



#7793



FINISHES: CA, MB, WP

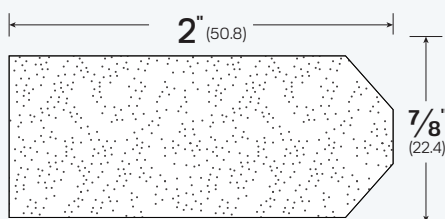
AVAILABLE SIZES: Can be manufactured to any length from 12" to 96"

OPTIONS: FX - Intumescent SF - Security Fasteners

NOTES:

- For use on doors with an excessive undercut or uneven floor.
- Adjusting the brass nut changes pressure on concealed internal spring to satisfy field conditions.
- Self-leveling door seal up to maximum 1-1/2" drop.
- Unit supplied with 1 pair of end caps - Part #4093EC-CA or #4093EC-MB

#545DP Corner Dust Plug

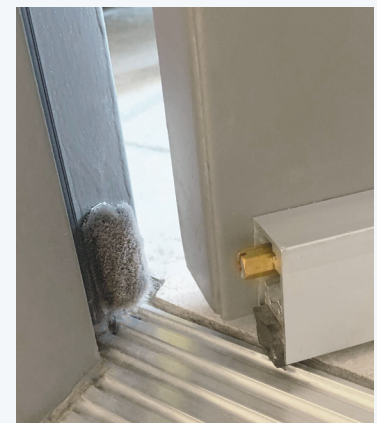


NOTES:

- Material is a grey Pile Brush
- Also available in Black (BW) and White (WH)
- Double-sided adhesive backing

HOW TO ORDER: #545DP

| LEGACY | NGP | PEMKO | ZERO |
|--------|------|----------|------|
| 545DP | 54CP | ACPI12BL | 2541 |



Extended Drop (Patented)

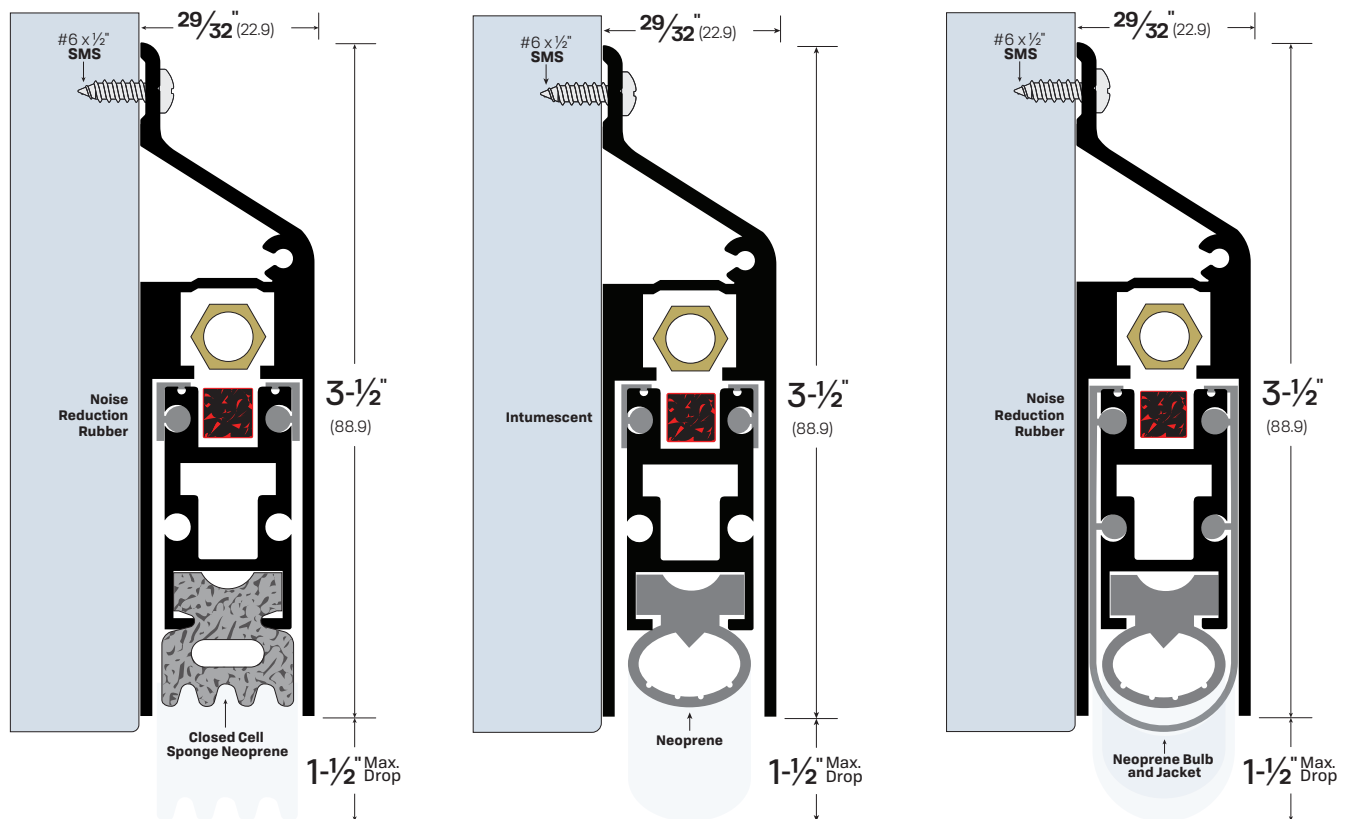
Developed in response to specific user requirements, our new extended drop automatic door bottom solves two common problems. Its integrated design features a unique sloped top casing designed to slough off rain water and prevent pooling on top of the ADB housing in exterior applications. It simplifies installation by eliminating the need for adding a separate rain drip part to the door bottom.

Providing up to a 1.5 inch drop, deeper than typical ADBs, this unit is also designed to help compensate for drop differentials found in door installations with large gradients or slope conditions on one side of the door. The deep drop can also be useful for exterior installations where floor surfaces may be degraded by weather exposure. The deeper drop allows smooth door function in spite these conditions, which can otherwise cause door bottoms to drag and stick.

#7093-FX

#7593-FX

#7793-FX



FINISHES: CA, MB, WP

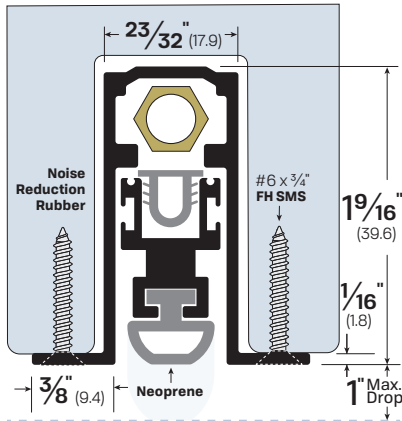
AVAILABLE SIZES: Can be manufactured to any length from 12" to 96"

OPTIONS: FX - Intumescent SF - Security Fasteners

NOTES:

- For use on doors with an excessive undercut or uneven floor.
- Adjusting the brass nut changes pressure on concealed internal spring to satisfy field conditions.
- Self-leveling door seal up to maximum 1-1/2" drop.
- Unit supplied with 1 pair of end caps - Part #4093EC-CA or #4093EC-MB

#7053



Mortised

FINISHES: CA

AVAILABLE SIZES: Can be manufactured to any length from 12" to 144"

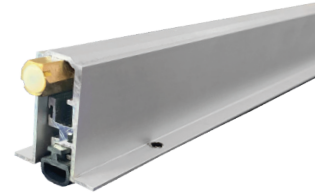
OPTIONS:

- AIR** - Air Flow
- EA** - Electrical Actuator
- LL** - Lead Lined
- LS** - Light Spring
- PULL** - Pull
- PV** - Pivot Doors
- SF** - Security Fasteners
- SL** - Sliding Doors
- TD** - Top Door Installation

NOTES:

- Adjusting the brass nut changes pressure on concealed internal spring to satisfy field conditions.
- Self-leveling door seal up to maximum 1" drop.
- Replacement neoprene - Part #4053N or optional Part #4441N
- Unit supplied with 1 pair of end caps - Part #4063EC-CA or #4063EC-MB

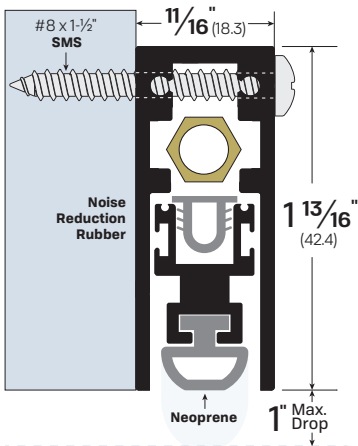
| LEGACY | NGP | PEMKO | ZERO |
|-------------|------|---------|-------|
| 7053 | 225N | 434APKL | 350AA |



#7053CA



#7153



Surface-Mounted

FINISHES: CA, DB, MB, WP

AVAILABLE SIZES: Can be manufactured to any length from 12" to 144"

OPTIONS:

- AIR** - Air Flow
- EA** - Electrical Actuator
- FL** - Fire Label
- LL** - Lead Lined
- LS** - Light Spring
- PULL** - Pull
- PV** - Pivot Doors
- SF** - Security Fasteners
- SL** - Sliding Doors

NOTES:

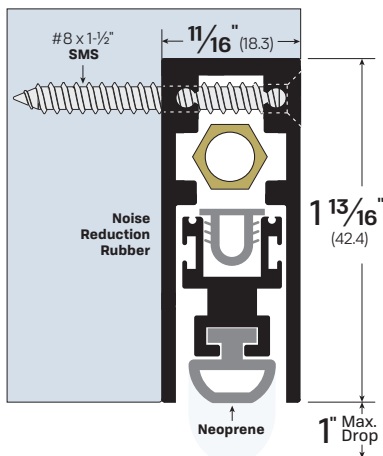
- Adjusting the brass nut changes pressure on concealed internal spring to satisfy field conditions.
- Self-leveling door seal up to maximum 1" drop.
- Replacement neoprene - Part #4053N or optional Part #4441N
- Unit supplied with 1 pair of end caps - Part #4153EC-CA or #4153EC-MB

| LEGACY | NGP | PEMKO | ZERO |
|-------------|------|---------|-------|
| 7153 | 222N | 413IASL | 351AA |



#7153CA

#7253



Semi-Mortised

FINISHES: CA, DB, MB, WP

AVAILABLE SIZES: Can be manufactured to any length from 12" to 144"

OPTIONS:

- AIR** - Air Flow
- FL** - Fire Label
- LL** - Lead Lined
- LS** - Light Spring
- SF** - Security Fasteners
- PULL** - Pull
- PV** - Pivot Doors
- EA** - Electrical Actuator
- SL** - Sliding Doors
- TD** - Top Door Installation

NOTES:

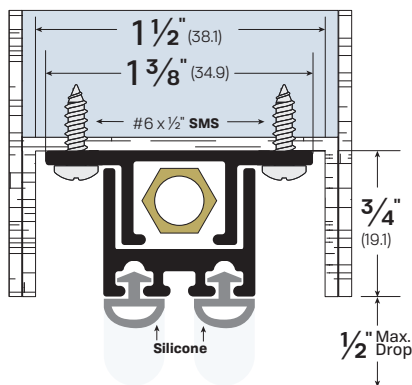
- Adjusting the brass nut changes pressure on concealed internal spring to satisfy field conditions.
- Self-leveling door seal up to maximum 1" drop.
- Replacement neoprene - Part #4053N or optional Part #4441N
- Unit supplied with 1 pair of end caps - Part #4153EC-CA or #4153EC-MB

| LEGACY | NGP | PEMKO | ZERO |
|-------------|------|---------|-------|
| 7253 | 222N | 413IASL | 352AA |



#7253CA

#7553  



Mortised

FINISHES: MA

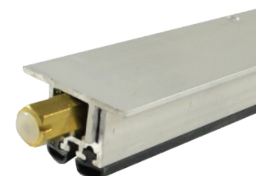
AVAILABLE SIZES: Can be manufactured to any length from 12" to 144"

OPTIONS:

- AIR** - Air Flow
- EA** - Electrical Actuator
- FL** - Fire Label
- LIG** - Ligature Resistant
- LS** - Light Spring
- PV** - Pivot Doors
- SF** - Security Fasteners
- SL** - Sliding Doors
- TD** - Top Door Installation

NOTES:

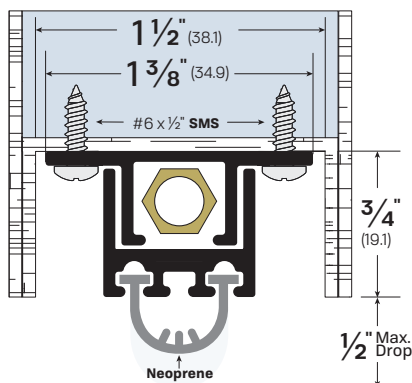
- For use on 1-3/4" and larger Hollow Metal doors
- Adjusting the brass nut changes pressure on concealed internal spring to satisfy field conditions.
- Self-leveling door seal up to maximum 1/2" drop.
- Replacement neoprene - Part #4075N
- No end caps provided



#7553CA

| LEGACY | NGP | PEMKO | ZERO |
|-------------|------|--------|------|
| 7553 | 320N | 420APK | 355A |

#71553  



Mortised

FINISHES: MA

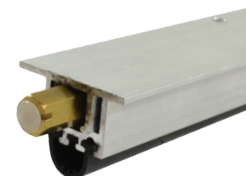
AVAILABLE SIZES: Can be manufactured to any length from 12" to 144"

OPTIONS:

- EA** - Electrical Actuator
- FL** - Fire Label
- LS** - Light Spring
- PV** - Pivot Doors
- SF** - Security Fasteners
- SL** - Sliding Doors
- TD** - Top Door Installation

NOTES:

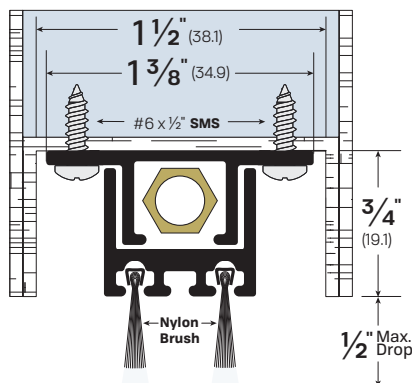
- For use on 1 3/4" and larger Hollow Metal doors
- Adjusting the brass nut changes pressure on concealed internal spring to satisfy field conditions.
- Self-leveling door seal up to maximum 1/2" drop.
- Replacement neoprene - Part #434N
- No end caps provided



#71553CA

| LEGACY | NGP | PEMKO | ZERO |
|--------------|-----|-------|-------|
| 71553 | - | - | 3551A |

#72553



Mortised

FINISHES: MA

AVAILABLE SIZES: Can be manufactured to any length from 12" to 144"

OPTIONS:

- AIR** - Air Flow
- EA** - Electrical Actuator
- LS** - Light Spring
- LIG** - Ligature Resistant
- PV** - Pivot Doors
- SF** - Security Fasteners
- SL** - Sliding Doors
- TD** - Top Door Installation

NOTES:

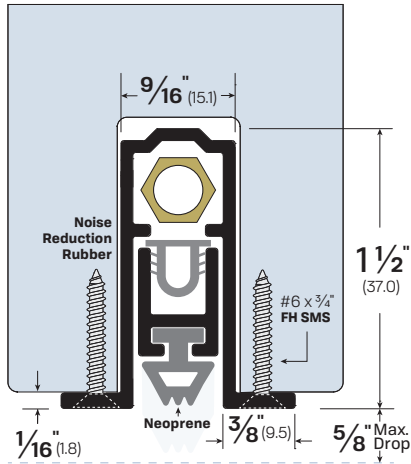
- For use on 1-3/4" and larger Hollow Metal doors
- Adjusting the brass nut changes pressure on concealed internal spring to satisfy field conditions.
- Self-leveling door seal up to maximum 1/2" drop.
- Replacement Nylon Brush - Part #4075NB
- No end caps provided



#72553CA

| LEGACY | NGP | PEMKO | ZERO |
|--------------|-----|-------|-------|
| 72553 | - | - | 3552A |

#7023



Mortised

FINISHES: CA

AVAILABLE SIZES: Can be manufactured to any length from 12" to 144"

OPTIONS:

- AIR** - Air Flow **LS** - Light Spring **SF** - Security Fasteners
- FL** - Fire Label **PULL** - Pull **SL** - Sliding Doors
- EA** - Electrical Actuator **PV** - Pivot Doors **TD** - Top Door Installation

NOTES:

- Adjusting the brass nut changes pressure on concealed internal spring to satisfy field conditions.
- Self-leveling door seal up to maximum 5/8" drop.
- Replacement neoprene - Part #4023N
- Unit supplied with 1 pair of end caps - Part #4063EC-CA or #4063EC-MB

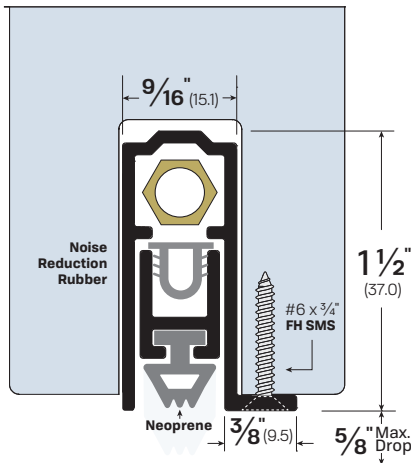
| LEGACY | NGP | PEMKO | ZERO |
|-------------|------|--------|-------|
| 7023 | 335N | 411ARL | 320AA |



#7023CA



#7323



Mortised

FINISHES: CA

AVAILABLE SIZES: Can be manufactured to any length from 12" to 144"

OPTIONS:

- AIR** - Air Flow **LS** - Light Spring **SF** - Security Fasteners
- EA** - Electrical Actuator **PULL** - Pull **SL** - Sliding Doors
- FL** - Fire Label **PV** - Pivot Doors **TD** - Top Door Installation

NOTES:

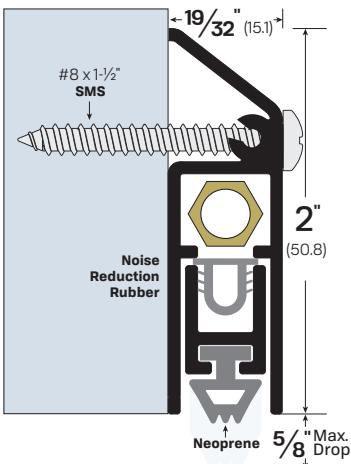
- For doors smaller than 1-3/4"
- Adjusting the brass nut changes pressure on concealed internal spring to satisfy field conditions.
- Self-leveling door seal up to maximum 5/8" drop.
- Unit is handed and can be reversed upon request.
- Replacement neoprene - Part #4023N
- Unit supplied with 1 pair of end caps - Part #4063EC-CA or #4063EC-MB

| LEGACY | NGP | PEMKO | ZERO |
|-------------|-----|-------|-------|
| 7323 | - | - | 323AA |



#7323CA

#7123



Surface-Mounted

FINISHES: CA, DB, MB, WP

AVAILABLE SIZES: Can be manufactured to any length from 12" to 144"

OPTIONS:

- AIR** - Air Flow **LS** - Light Spring **SF** - Security Fasteners
- EA** - Electrical Actuator **PULL** - Pull **SL** - Sliding Doors
- FL** - Fire Label **PV** - Pivot Doors

NOTES:

- Adjusting the brass nut changes pressure on concealed internal spring to satisfy field conditions.
- Self-leveling door seal up to maximum 5/8" drop.
- Unit is handed and can be reversed upon request.
- Replacement neoprene - Part #4023N
- No end caps provided

| LEGACY | NGP | PEMKO | ZERO |
|-------------|------|--------|-------|
| 7123 | 220N | 412ARL | 321AA |



#7123CA

Air Flow

This option allows free flow of air while still blocking light at the bottom of the door. Useful for applications with pressure differentials, such as boiler room doors, it is also a practical solution for certain hotel room and stairwell applications.

Our AIR design features double rows of notched and staggered neoprene seals for effective air flow. Legacy automatic door bottoms offered with the AIR option include a unique mortised model for wood doors, along with standard semi-mortised and surface-mounted models.

| LEGACY | 7053-AIR | 7153-AIR | 7253-AIR |
|--------|----------|----------|----------|
| NGP | - | - | - |
| PEMKO | - | - | - |
| ZERO | - | - | - |

AVAILABLE SIZES: Can be manufactured to any length from 12" to 144"

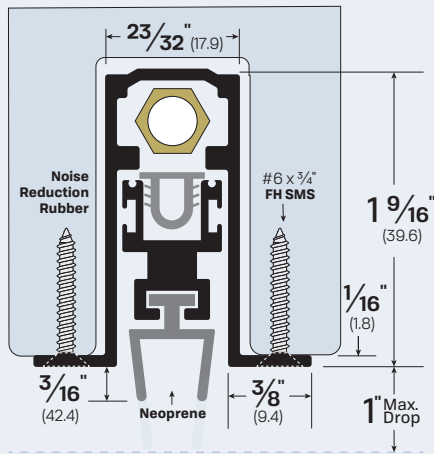
NOTES:

- Adjusting the brass nut changes pressure on concealed internal spring to satisfy field conditions.
- Self-leveling door seal up to maximum 1" drop.
- Replacement neoprene - Part #4033N
- Unit supplied with 1 pair of end caps - Part #4063EC-CA or #4063EC-MB



#7153CA-AIR

#7053-AIR

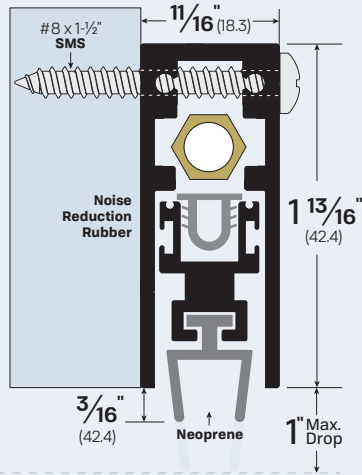


FINISHES: CA

OPTIONS:

- EA - Electrical Actuator PV - Pivot Door
 LS - Light Spring SF - Security Fasteners
 PULL - Pull

#7153-AIR

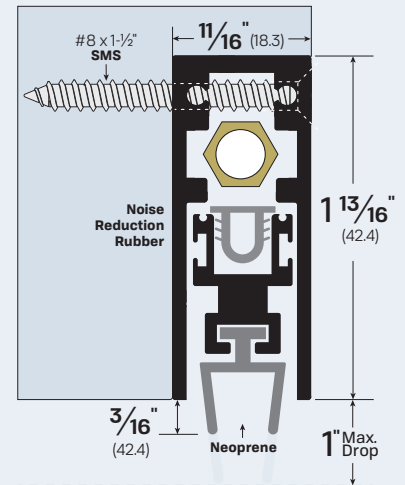


FINISHES: CA, DB, MB, WP

OPTIONS:

- EA - Electrical Actuator PV - Pivot Door
 LS - Light Spring SF - Security Fasteners
 PULL - Pull

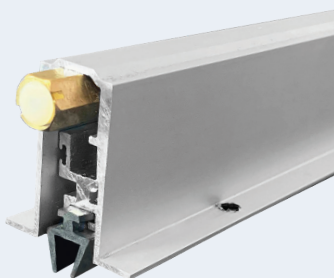
#7253-AIR



FINISHES: CA, DB, MB, WP

OPTIONS:

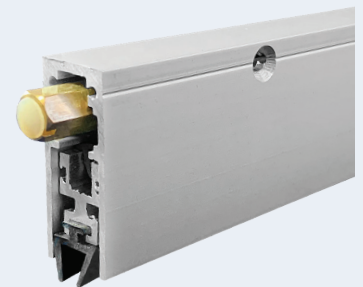
- EA - Electrical Actuator PV - Pivot Door
 LS - Light Spring SF - Security Fasteners
 PULL - Pull



#7053CA-AIR



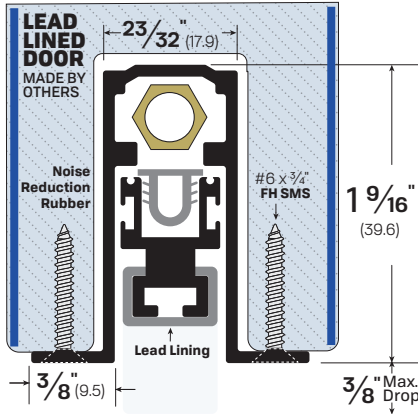
#7153CA-AIR



#7253CA-AIR

Automatic Door Bottoms

#7053-LL



Mortised

FINISHES: CA

AVAILABLE SIZES - Can be manufactured to any length from 12" to 48"

OPTIONS:

EA - Electrical Actuator **PV** - Pivot Doors **SL** - Sliding Doors
LL - Lead Lined **SF** - Security Fasteners **TD** - Top Door Installation
PULL - Pull

NOTES:

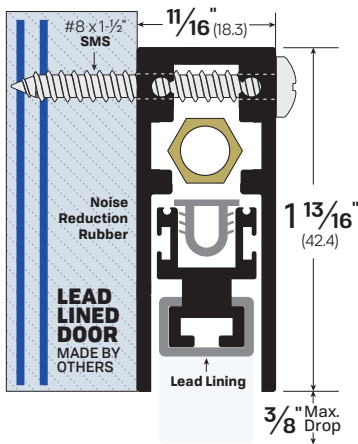
- Lead Lined material for X-Ray protection
- Adjusting the brass nut changes pressure on concealed internal spring to satisfy field conditions.
- Self-leveling door seal up to maximum 3/8" drop.
- Unit supplied with 1 pair of end caps - Part #4063EC-CA or #4063EC-MB



#7053CA-LL

| LEGACY | NGP | PEMKO | ZERO |
|----------------|----------|-------|------|
| 7053-LL | 222NN-LL | - | - |

#7153-LL



Surface-Mounted

FINISHES: CA, DB, MB, WP

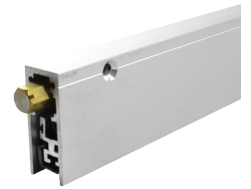
AVAILABLE SIZES - Can be manufactured to any length from 12" to 48"

OPTIONS:

EA - Electrical Actuator **PV** - Pivot Doors **SL** - Sliding Doors
LL - Lead Lined **SF** - Security Fasteners **TD** - Top Door Installation
PULL - Pull

NOTES:

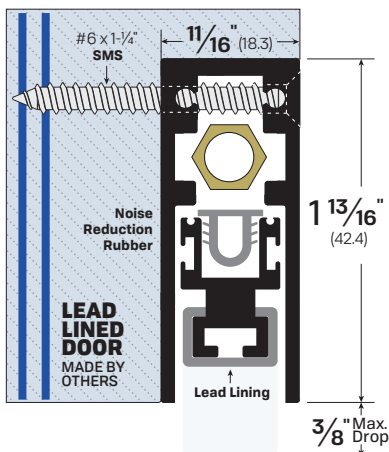
- Lead Lined material for X-Ray protection
- Adjusting the brass nut changes pressure on concealed internal spring to satisfy field conditions.
- Self-leveling door seal up to maximum 3/8" drop.
- Unit supplied with 1 pair of end caps - Part #4153EC-CA or #4153EC-MB



#7153CA-LL

| LEGACY | NGP | PEMKO | ZERO |
|----------------|----------|-------|------|
| 7153-LL | 222NN-LL | - | - |

#7253-LL



Semi-Mortised

FINISHES: CA, DB, MB, WP

AVAILABLE SIZES - Can be manufactured to any length from 12" to 48"

OPTIONS:

EA - Electrical Actuator **PV** - Pivot Doors **TD** - Top Door Installation
LL - Lead Lined **SL** - Sliding Doors **SF** - Security Fasteners

NOTES:

- Lead Lined material for X-Ray protection
- Adjusting the brass nut changes pressure on concealed internal spring to satisfy field conditions.
- Self-leveling door seal up to maximum 3/8" drop.
- Unit supplied with 1 pair of end caps - Part #4153EC-CA or #4153EC-MB



#7253CA-LL

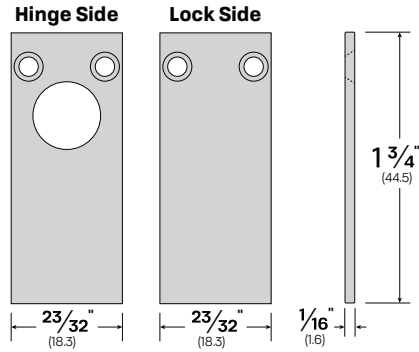
| LEGACY | NGP | PEMKO | ZERO |
|----------------|----------|-------|------|
| 7253-LL | 222NN-LL | - | - |

End Caps

NOTES:

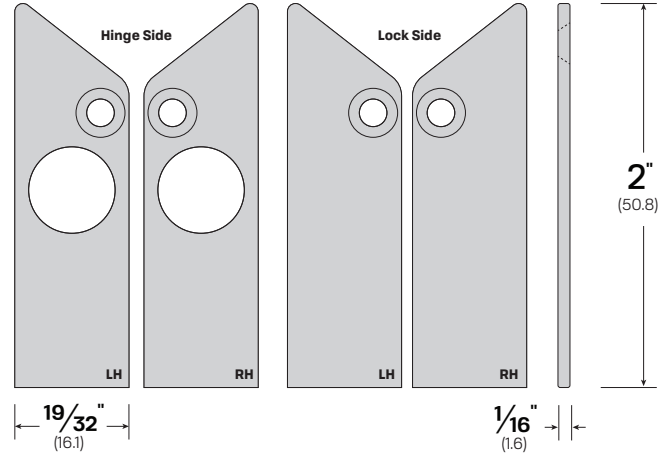
- Standard finish is Clear Anodized Aluminum (CA). Pair supplied standard as noted below.
- Matte Black (MB) finish option is available. Example Order: #4153EC-MB

#4153EC



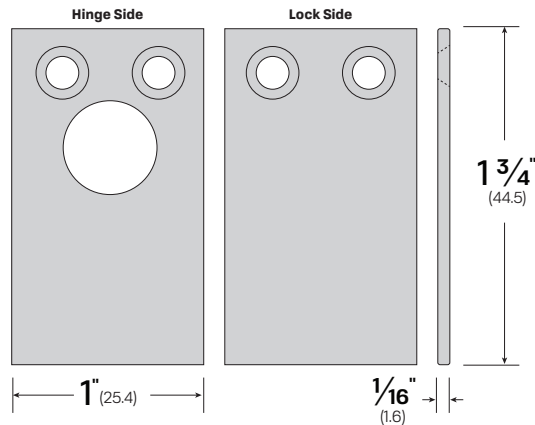
#4153EC-CA or #4153EC-MB
 Pair supplied standard with: #7153, #7253

#4123EC



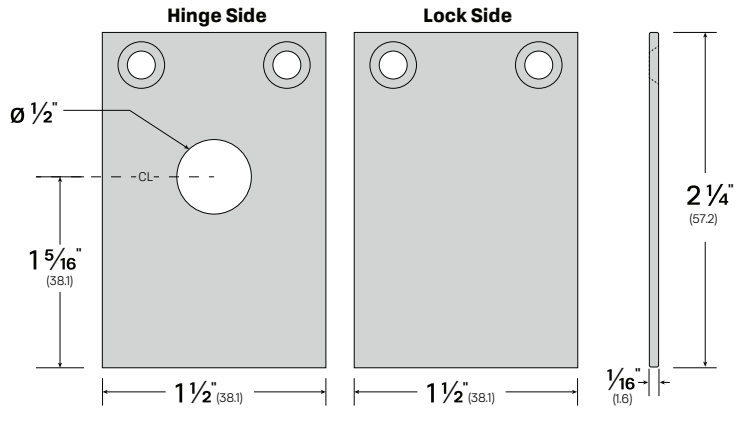
#4123EC-CA or #4123EC-MB
 Pair supplied standard with: #7123

#4163EC



#4163EC-CA or #4163EC-MB
 Pair supplied standard with: #7163, #7263, #7563,
 #7663, #7763, #7863

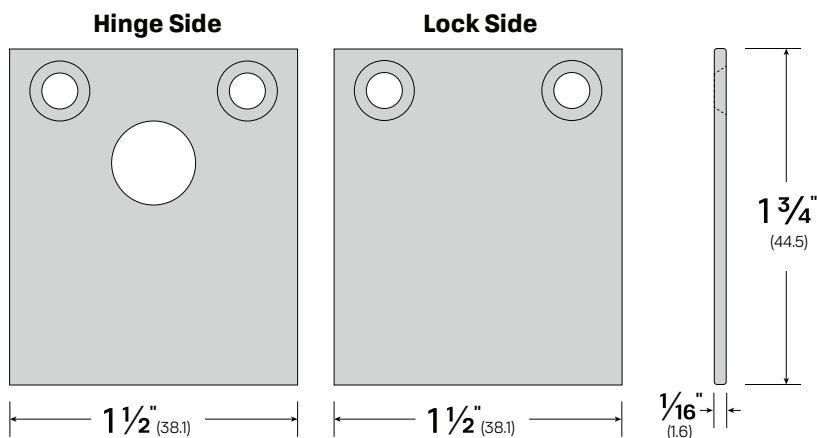
#4063EC



#4063EC-CA or #4063EC-MB
 Pair supplied standard with: #7053, #7063, #7463, #7963

End Caps

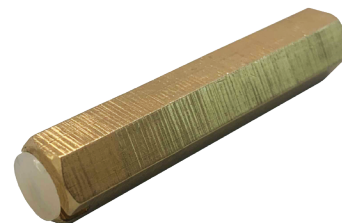
#4023EC



#4023EC-AP or **#4023EC-MB**
 Pair supplied standard with: #7023, #7323

#50MMNUT

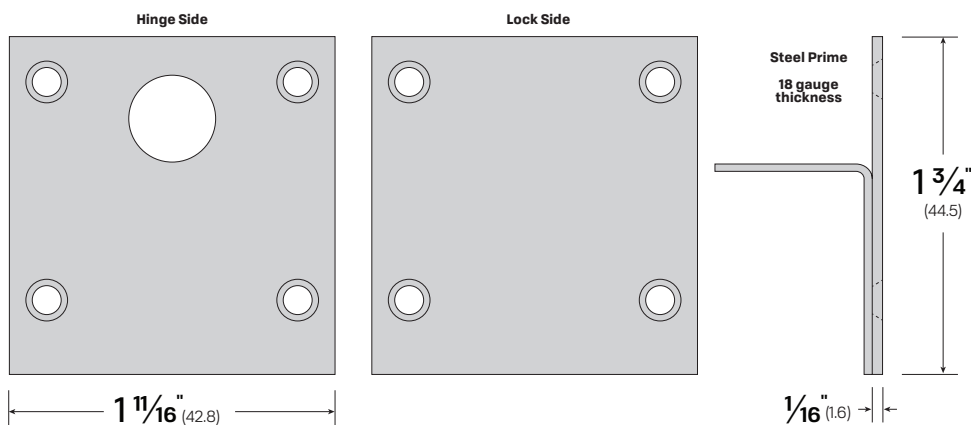
Extension Nut



NOTES:

- Longer than standard hexnut.
- Compensates for unusually large gap between the door and frame.

#749EC



#749EC-SP
 Optional end cap for mortised door bottoms with the PULL option. Specify #749EC to order.

How To Order: Door Sweeps

EXAMPLE #7823CA-LIG-36

Easy Ways To Order

Email
Orders@LegacyLLC.com

Phone
Local: +1 (718) 292-5333
Toll Free: +1 (888) 383-3330

Fax
+1 (888) 383-3330

PART NUMBER & FINISH - OPTIONS - LENGTH

7823

CA

LIG

36

PART #

- 711 7583
- 712 7752
- 718 7774
- 735 7823
- 739 7835
- 759 7836
- 769 7852
- 779 7891
- 793 7923
- 799 7933
- 5241 7936
- 7011 7991
- 7111 71518
- 7112 71918
- 7115 72918
- 7175 73918
- 7178 74453
- 7183 74918
- 7283 76453
- 7351 77918
- 7352 78918
- 7451 79418
- 7452 79408N
- 7552 7W933

FINISH

Finishes vary by product. Please check available finishes listed for each product.

- BR** - Architectural Bronze
- CA** - Clear Anodized Aluminum
- DB** - Dark Bronze Anodized Aluminum
- MA** - Mill Aluminum
- MB** - Matte Black Powder Coat
- SS** - Stainless Steel
- WP** - White Powder Coat

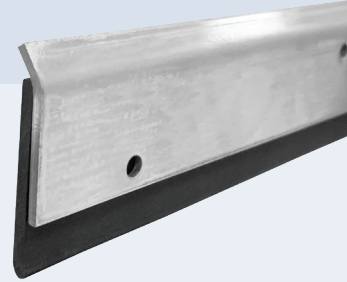
OPTIONS

Options vary by product. Please check available options listed for each product.

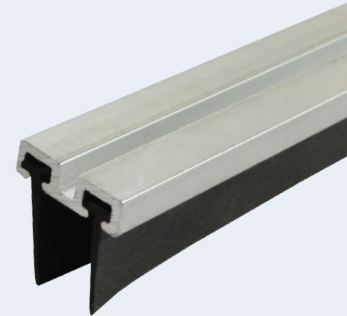
- Blank** - No Option
- AIR** - Air Flow
- FL** - Fire Label
- LIG** - Ligature Resistant
- NIT** - Nitrile Extrusion
- ORB** - Oil-Rubbed Bronze
- POL** - Polished Bronze
- PSA** - Pressure Sensitive Adhesive
- SF** - Security Fasteners

LENGTH

Please specify to nearest 1/16"



#7933SS



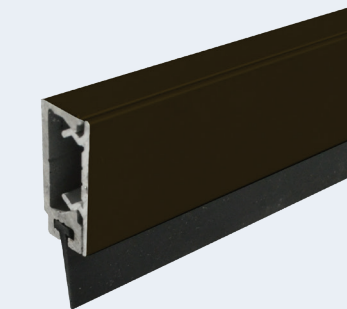
#7183MA



#7452MB

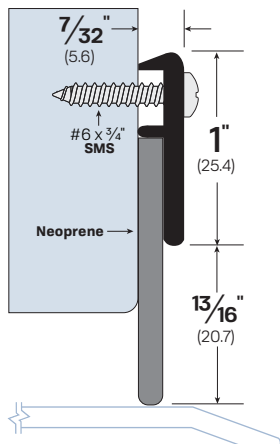


#799MA



#7774DB

#7933 



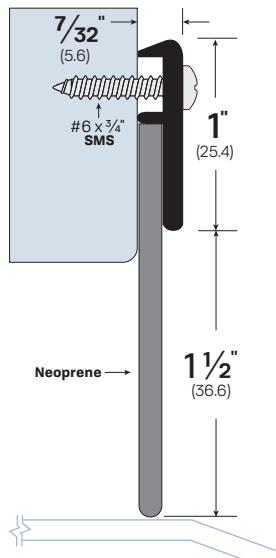
FINISHES: BR, CA, DB, MB, WP

OPTIONS:

- FL** - Fire Label
- LIG** - Ligature Resistant
- ORB** - Oil-Rubbed Bronze
- POL** - Polished Bronze
- SF** - Security Fasteners

| LEGACY | NGP | PEMKO | ZERO |
|-------------|------|-------|-------|
| 7933 | 198A | 321N | 339AA |

#7W933 



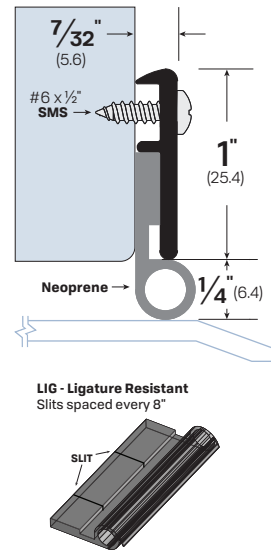
FINISHES: BR, CA, DB, MB, WP

OPTIONS:

- FL** - Fire Label
- LIG** - Ligature Resistant
- ORB** - Oil-Rubbed Bronze
- POL** - Polished Bronze
- SF** - Security Fasteners

| LEGACY | NGP | PEMKO | ZERO |
|--------------|------|-------|-------|
| 7W933 | 197A | 321 | 339WA |

#7823  



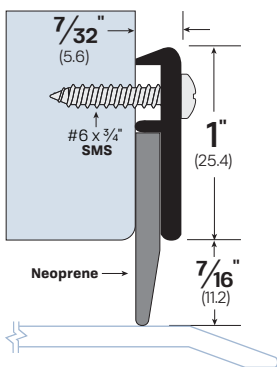
FINISHES: BR, CA, DB, MB, WP

OPTIONS:

- FL** - Fire Label
- LIG** - Ligature Resistant
- ORB** - Oil-Rubbed Bronze
- POL** - Polished Bronze
- SF** - Security Fasteners

| LEGACY | NGP | PEMKO | ZERO |
|-------------|------|-------|-------|
| 7823 | 137A | 319N | 328AA |

#7923



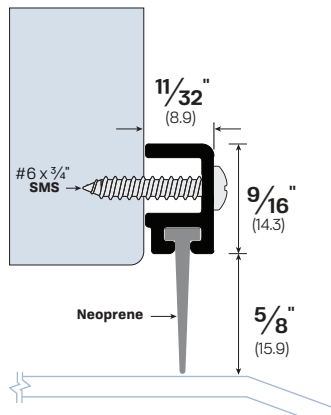
FINISHES: BR, CA, DB, MB, WP

OPTIONS:

- BR** - Architectural Bronze
- ORB** - Oil-Rubbed Bronze
- POL** - Polished Bronze
- SF** - Security Fasteners

| LEGACY | NGP | PEMKO | ZERO |
|-------------|------|-------|-------|
| 7923 | 198A | - | 329AA |

#7583 



FINISHES: MA, MB, WP

OPTIONS:

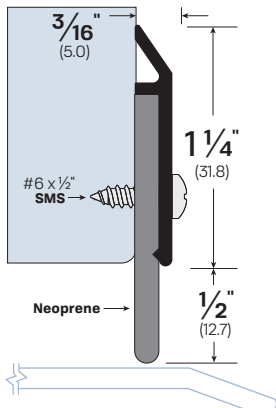
- FL** - Fire Label
- SF** - Security Fasteners

| LEGACY | NGP | PEMKO | ZERO |
|-------------|-----|-------|------|
| 7583 | - | - | - |



Door Sweep #7933CA mounted to a door.

#793

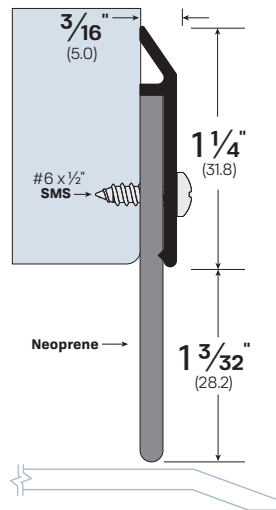


FINISHES: MA, MB, WP, SS

OPTIONS: SF - Security Fasteners

| LEGACY | NGP | PEMKO | ZERO |
|------------|------|-------|------|
| 793 | 200N | 315CN | 39A |

#7836

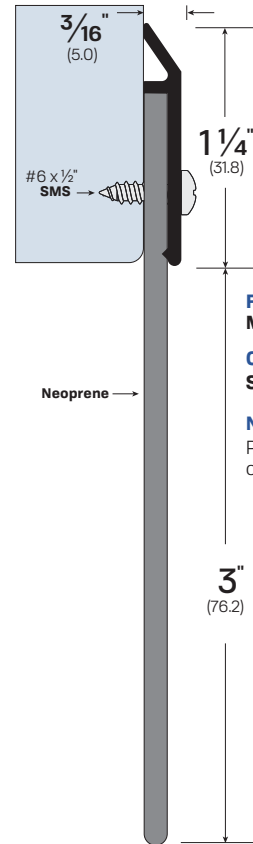


FINISHES: MA, MB, WP, SS

OPTIONS: SF - Security Fasteners

| LEGACY | NGP | PEMKO | ZERO |
|-------------|------|-------|------|
| 7836 | 199N | 315KN | 39WA |

#7936



FINISHES:
MA, MB, WP, SS

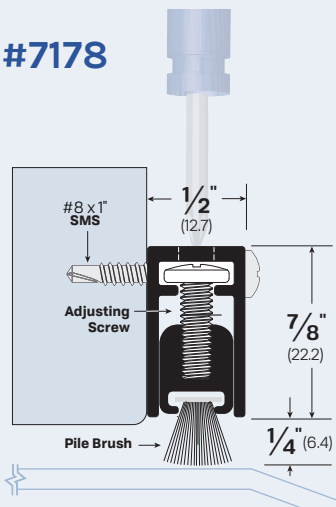
OPTIONS:
SF - Security Fasteners

NOTES:
Perfect for oversized gaps

| LEGACY |
|-------------|
| 7936 |
| NGP |
| - |
| PEMKO |
| - |
| ZERO |
| 639AA |

ADJUSTABLE DOOR SWEEPS

#7178

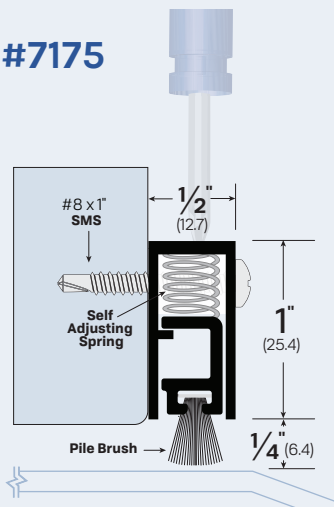


FINISHES: CA, DB, MB, WP

OPTIONS: SF - Security Fasteners

| LEGACY | NGP | PEMKO | ZERO |
|-------------|------|-------|-------|
| 7178 | 140P | 351_P | 871AA |

#7175

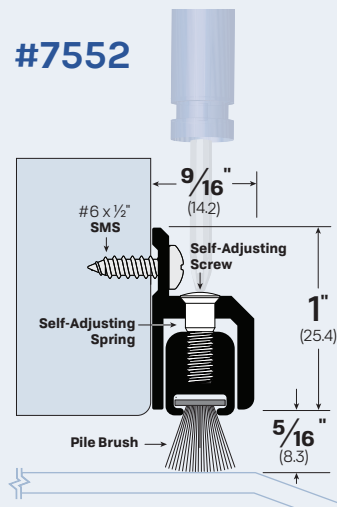


FINISHES: CA, DB, MB, WP

OPTIONS: SF - Security Fasteners

| LEGACY | NGP | PEMKO | ZERO |
|-------------|-----|-------|-------|
| 7175 | - | - | 571AA |

#7552



FINISHES: CA, MB, WP

OPTIONS: SF - Security Fasteners

| LEGACY | NGP | PEMKO | ZERO |
|-------------|------|-------|------|
| 7552 | 140P | 351_P | 255A |



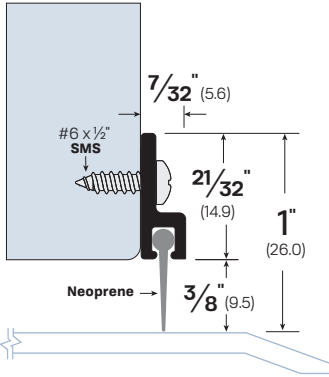
Door Sweep #74918 mounted to a pair of doors.



#72918CA

#73918CA

#74918



FINISHES: CA, DB, MB, WP

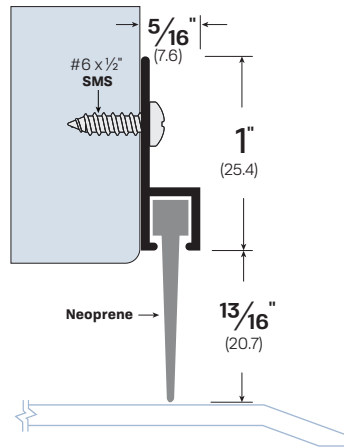
OPTIONS:

FL - Fire Label **SF** - Security Fasteners

PSA - Pressure Sensitive Adhesive

| LEGACY | NGP | PEMKO | ZERO |
|--------------|-----|--------|--------|
| 74918 | | 308APK | 8194AA |

#71918

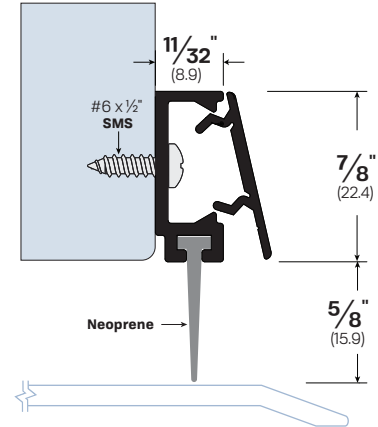


FINISHES: CA, MB, WP

OPTIONS: SF - Security Fasteners

| LEGACY | NGP | PEMKO | ZERO |
|--------------|-----|-------|--------|
| 71918 | 97V | 307 | 8191AA |

#7774



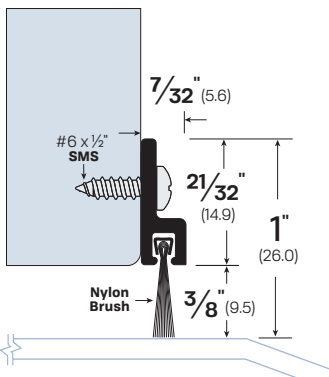
FINISHES: CA, DB

OPTIONS: FL - Fire Label

NOTES: End caps available by request #474CA-EC

| LEGACY | NGP | PEMKO | ZERO |
|-------------|-----|-------|-------|
| 7774 | 678 | 29326 | 477AA |

#73918



FINISHES: CA, DB, MB, WP

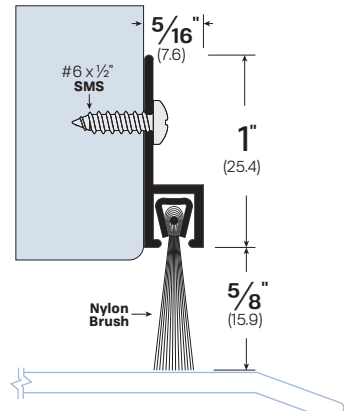
OPTIONS:

SF - Security Fasteners

PSA - Pressure Sensitive Adhesive

| LEGACY | NGP | PEMKO | ZERO |
|--------------|------|----------|--------|
| 73918 | A605 | 18041CNB | 8193AA |

#72918



FINISHES: CA, MB, WP

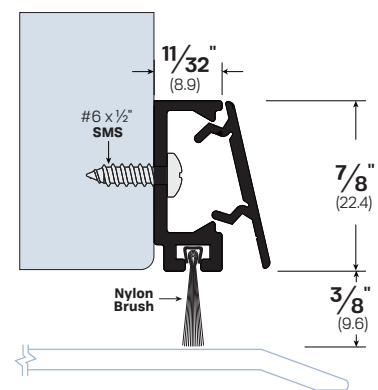
OPTIONS:

PSA - Pressure Sensitive Adhesive

SF - Security Fasteners

| LEGACY | NGP | PEMKO | ZERO |
|--------------|------|----------|--------|
| 72918 | C607 | 18061ANB | 8192AA |

#718



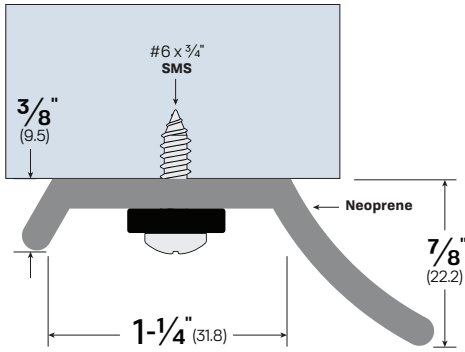
FINISHES: CA, DB

NOTES: End caps available by request #474CA-EC

| LEGACY | NGP | PEMKO | ZERO |
|------------|-----|-------|------|
| 718 | 672 | - | - |

Door Sweeps

#79408N

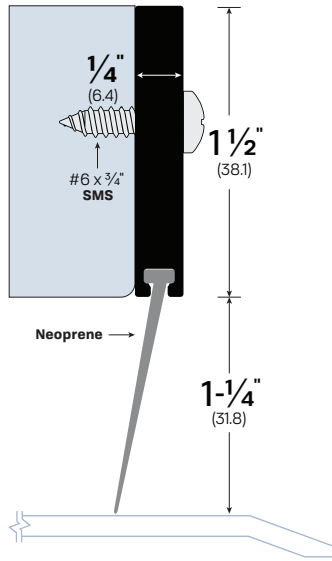


FINISHES: MA, SS

OPTIONS: SF - Security Fasteners

| LEGACY | NGP | PEMKO | ZERO |
|--------|-----|-------|-------|
| 79408N | - | - | 8049R |

#759

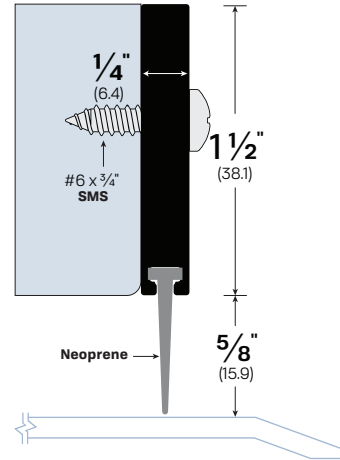


FINISHES: MA, MB, WP

OPTIONS: SF - Security Fasteners

| LEGACY | NGP | PEMKO | ZERO |
|--------|-----|-------|------|
| 759 | - | - | 95AA |

#779

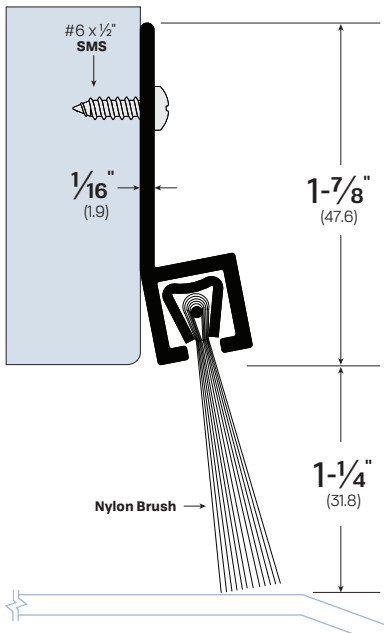


FINISHES: MA, MB, WP

OPTIONS: SF - Security Fasteners

| LEGACY | NGP | PEMKO | ZERO |
|--------|-----|-------|------|
| 779 | - | - | - |

#769

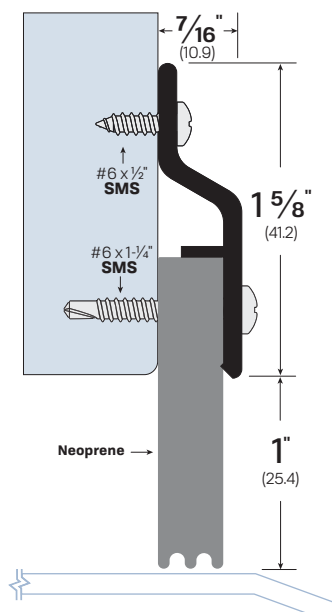


FINISHES: MA, MB, WP

OPTIONS: SF - Security Fasteners

| LEGACY | NGP | PEMKO | ZERO |
|--------|------|-------|------|
| 769 | D608 | - | 96A |

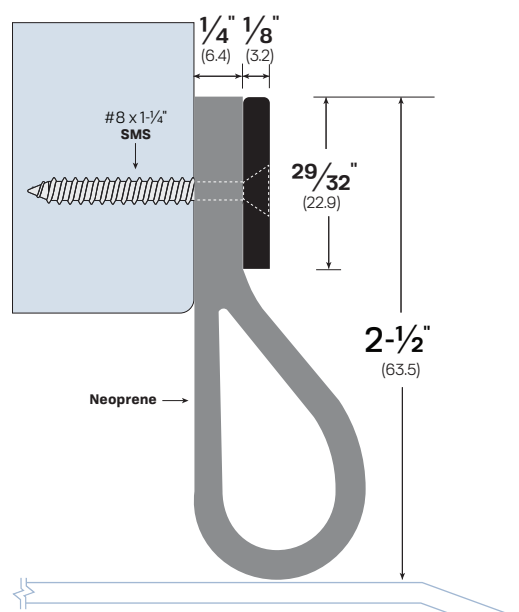
#7835



FINISHES: CA, MB

| LEGACY | NGP | PEMKO | ZERO |
|--------|------|-------|-------|
| 7835 | 202N | 368_N | 539AA |

#739



FINISHES: MA, MB, WP, SS

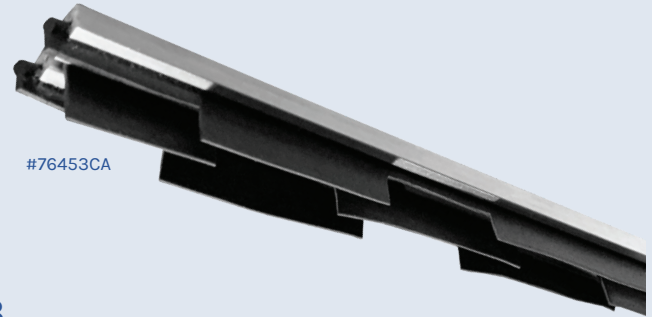
OPTIONS: SF - Security Fasteners

| LEGACY | NGP | PEMKO | ZERO |
|--------|--------|-----------|------|
| 739 | 81369N | E199X196A | 93A |

Mortised AIR Sweep

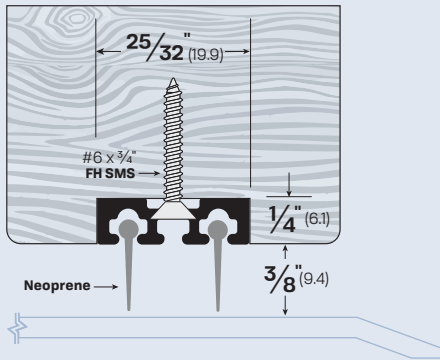
This option allows free flow of air while still blocking light at the bottom of the door. Useful for applications with pressure differentials, such as boiler room doors, it is also a practical solution for certain hotel room and stairwell applications.

Our AIR design features double rows of notched and staggered neoprene seals for effective air flow.



Door Sweeps

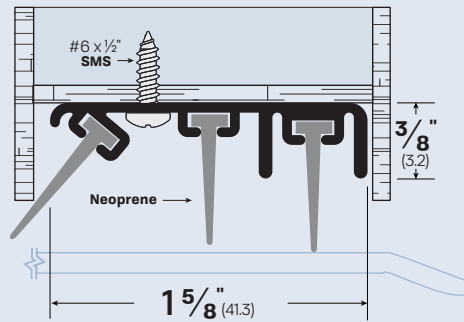
#76453



FINISHES: MA
OPTIONS: AIR - Air Flow

| LEGACY | NGP | PEMKO | ZERO |
|--------------|-----|-------|-------|
| 76453 | 12T | - | 3546A |

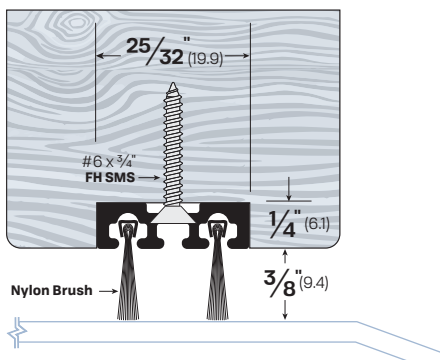
#7283



FINISHES: CA
OPTIONS: AIR - Air Flow

| LEGACY | NGP | PEMKO | ZERO |
|-------------|-----|-------|------|
| 7283 | - | - | - |

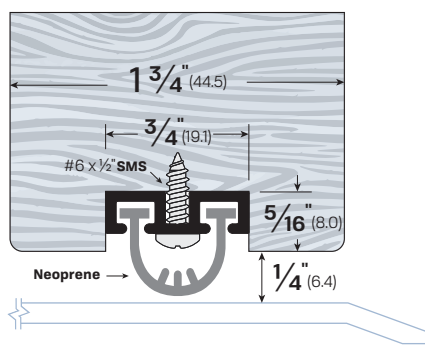
#74453



FINISHES: MA
OPTIONS: AIR - Air Flow

| LEGACY | NGP | PEMKO | ZERO |
|--------------|-----|-------|------|
| 74453 | - | - | - |

#735

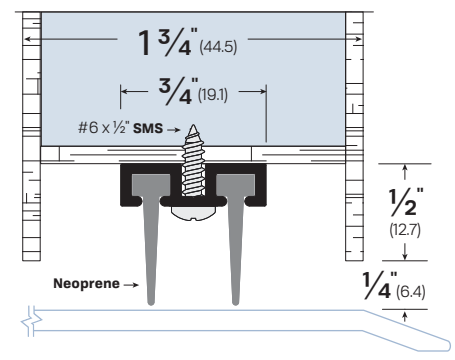


FINISHES: MA
NOTES: Rubber is Field Reversible



| LEGACY | NGP | PEMKO | ZERO |
|------------|------|-------|------|
| 735 | 116N | 313AN | 53A |

#7183

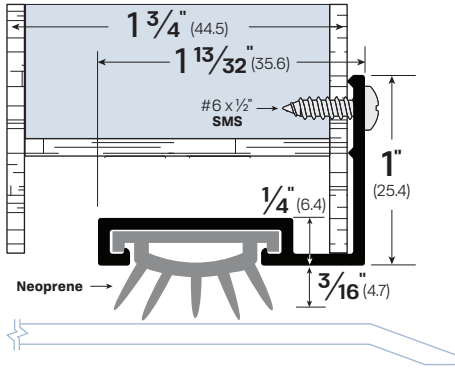


FINISHES: MA
OPTIONS: AIR - Air Flow

| LEGACY | NGP | PEMKO | ZERO |
|-------------|-----|-------|------|
| 7183 | - | - | 381A |

Door Sweeps

#7351



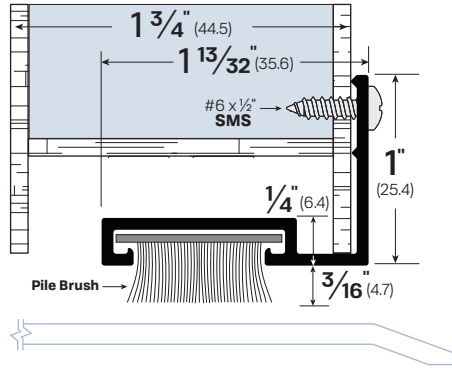
FINISHES: MA, MB, WP

OPTIONS:

- FX** - Intumescent
- NIT** - Nitrile Extrusion
- SF** - Security Fasteners

| LEGACY | NGP | PEMKO | ZERO |
|-------------|------|-------|------|
| 7351 | 113N | - | 153A |

#7451



FINISHES: MA, MB, WP

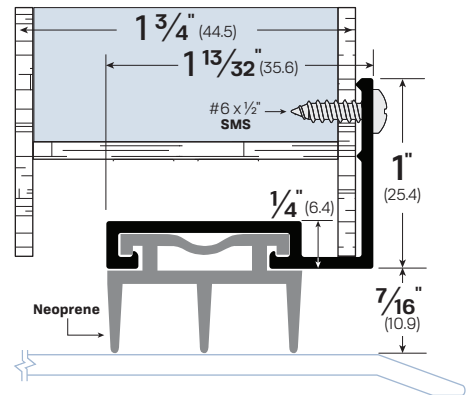
OPTIONS: SF - Security Fasteners

NOTES:

- Grey pile brush standard
- Specify for black pile (PB-BK) or white pile (PB-WH)

| LEGACY | NGP | PEMKO | ZERO |
|-------------|-----|-------|------|
| 7451 | - | - | 154A |

#7752



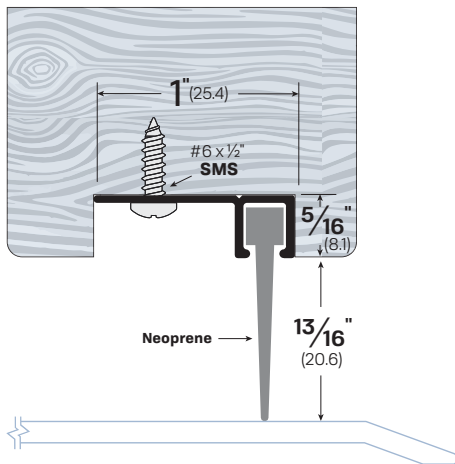
FINISHES: MA, MB, WP

OPTIONS:

- FX** - Intumescent
- SF** - Security Fasteners

| LEGACY | NGP | PEMKO | ZERO |
|-------------|-----|-------|------|
| 7752 | - | - | - |

#71518

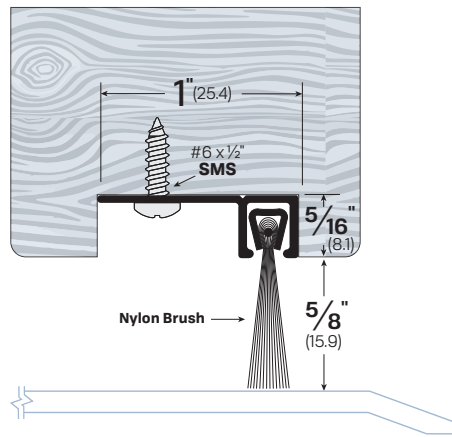


FINISHES: MA, MB, WP

OPTIONS: SF - Security Fasteners

| LEGACY | NGP | PEMKO | ZERO |
|--------------|-----|-------|--------|
| 71518 | - | - | 8151AA |

#79418

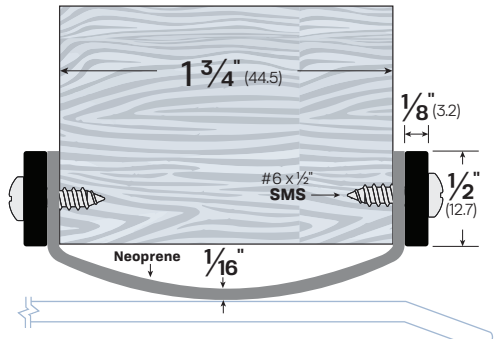


FINISHES: MA, MB, WP

OPTIONS: SF - Security Fasteners

| LEGACY | NGP | PEMKO | ZERO |
|--------------|------|-------|--------|
| 79418 | D648 | 90100 | 8149AA |

#7115



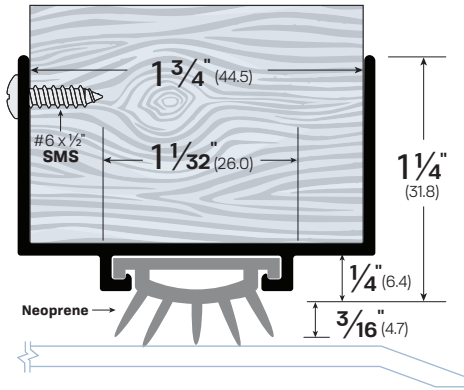
FINISHES: MA, MB, WP, SS

OPTIONS: SF - Security Fasteners

NOTES: Neoprene is 6" wide and can be mounted at different heights.

| LEGACY | NGP | PEMKO | ZERO |
|-------------|------|-------|------|
| 7115 | 14RA | - | 511A |

#7111



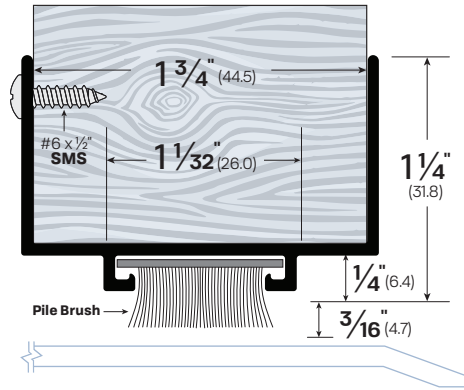
FINISHES: MA, MB, WP

OPTIONS:

- FX** - Intumescent
- NIT** - Nitrile Extrusion
- SF** - Security Fasteners

| LEGACY | NGP | PEMKO | ZERO |
|-------------|-----|-------|-------|
| 7111 | 26N | - | 111AA |

#7011



FINISHES: MA, MB, WP

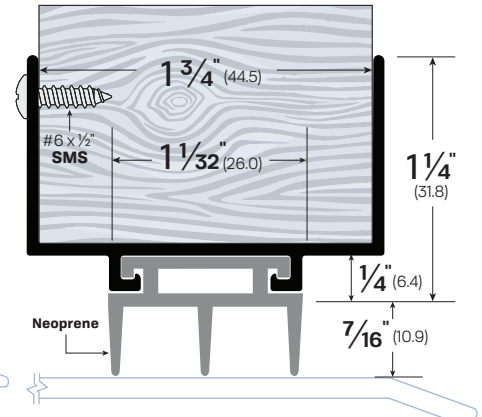
OPTIONS: **SF** - Security Fasteners

NOTES:

- Grey pile brush standard
- Specify for black pile (PB-BK) or white pile (PB-WH)

| LEGACY | NGP | PEMKO | ZERO |
|-------------|-----|-------|------|
| 7011 | - | - | 110A |

#7112



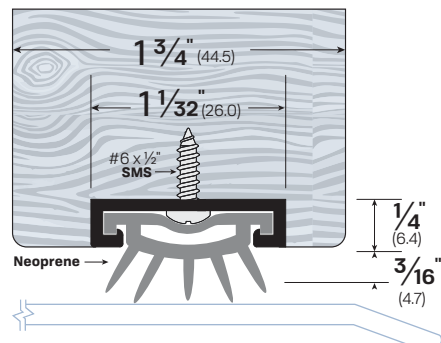
FINISHES: MA, MB, WP

OPTIONS:

- FX** - Intumescent
- SF** - Security Fasteners

| LEGACY | NGP | PEMKO | ZERO |
|-------------|-------|--------|------|
| 7112 | 36ET6 | 2173AV | - |

#7352

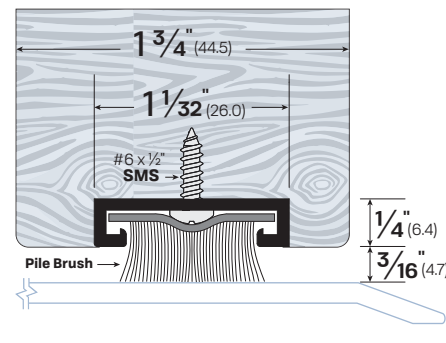


FINISHES: MA, DB, MB, WP

OPTIONS: **NIT** - Nitrile Extrusion

| LEGACY | NGP | PEMKO | ZERO |
|-------------|------|--------|------|
| 7352 | 112N | 234APK | 253A |

#7452



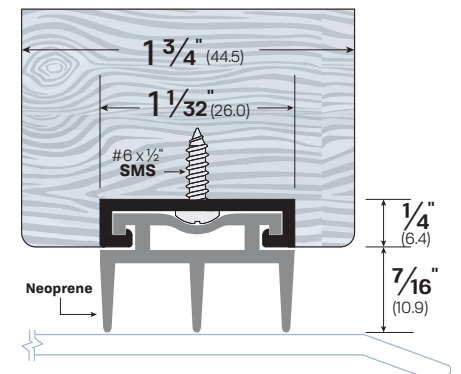
FINISHES: MA, DB, MB, WP

NOTES:

- Grey pile brush standard
- Specify for black pile (PB-BK) or white pile (PB-WH)

| LEGACY | NGP | PEMKO | ZERO |
|-------------|------|-------|------|
| 7452 | 254P | - | 254A |

#7852



FINISHES: MA, DB, MB, WP

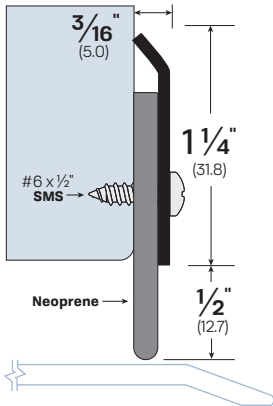
OPTIONS:

- FX** - Intumescent

| LEGACY | NGP | PEMKO | ZERO |
|-------------|-----|--------|------|
| 7852 | 12T | 33V3_V | - |

Door Sweeps

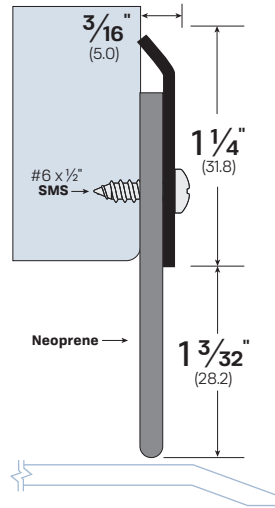
#793SS



FINISHES: SS
OPTIONS:
SF - Security Fasteners

| LEGACY | NGP | PEMKO | ZERO |
|--------------|--------|---------|------|
| 793SS | 200NSS | 31555SS | - |

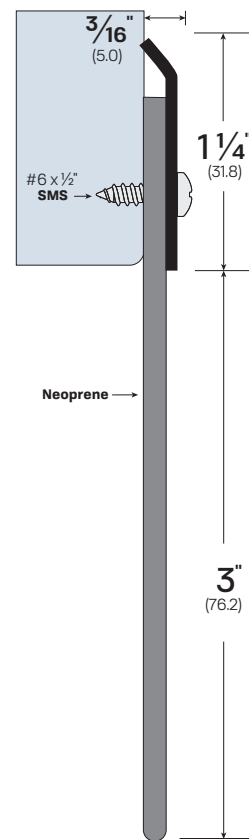
#7836SS



FINISHES: SS
OPTIONS:
SF - Security Fasteners

| LEGACY | NGP | PEMKO | ZERO |
|---------------|-----|-------|------|
| 7836SS | - | - | - |

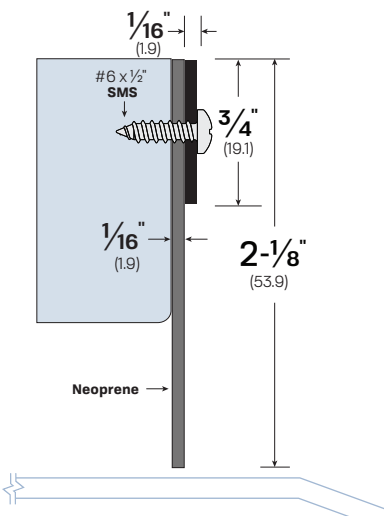
#7936SS



FINISHES: SS
OPTIONS: SF - Security Fasteners
NOTES: Perfect for oversized gaps

| LEGACY |
|---------------|
| 7936SS |
| NGP |
| - |
| PEMKO |
| - |
| ZERO |
| - |

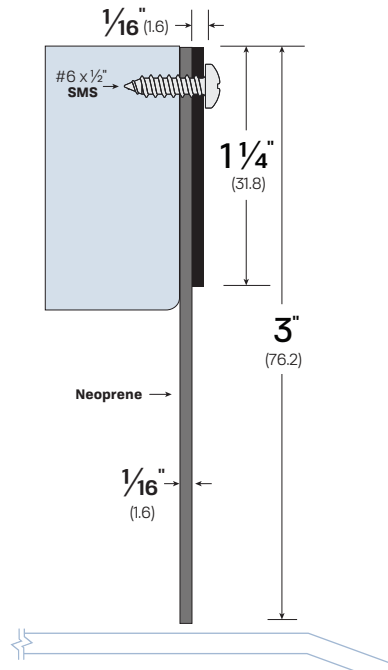
#7891SS



FINISHES: SS
OPTIONS: SF - Security Fasteners

| LEGACY | NGP | PEMKO | ZERO |
|---------------|-----|-------|------|
| 7891SS | - | - | - |

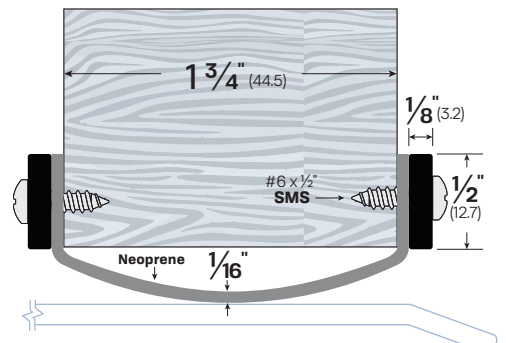
#7991SS



FINISHES: SS
OPTIONS: SF - Security Fasteners

| LEGACY | NGP | PEMKO | ZERO |
|---------------|-----|-------|------|
| 7991SS | - | - | - |

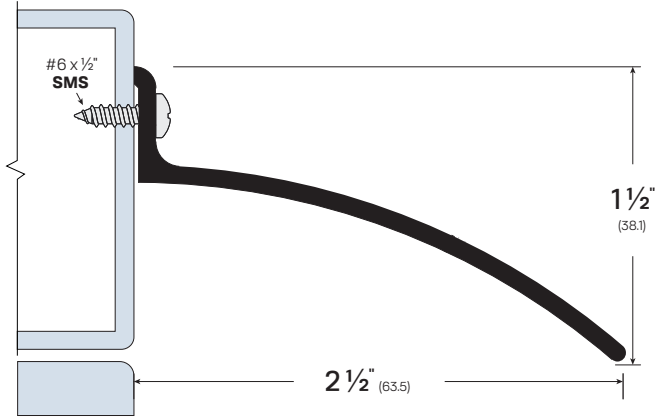
#7115SS



FINISHES: SS
OPTIONS: SF - Security Fasteners
NOTES: Neoprene is 6" wide and can be mounted at different heights.

| LEGACY | NGP | PEMKO | ZERO |
|---------------|-----|-------|------|
| 7115SS | - | - | - |

#5241



FINISHES: MA, MB, WP, SS

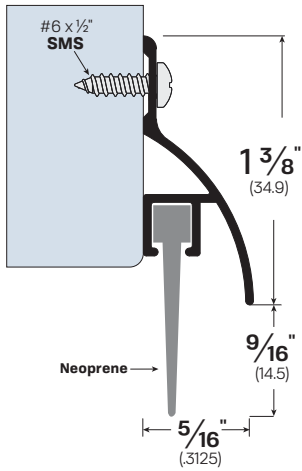
OPTIONS: SF - Security Fasteners

NOTES:

- Top of door rain drip
- Order length should be specified a minimum of 4" longer than door width.

| LEGACY | NGP | PEMKO | ZERO |
|-------------|-----|-------|-------|
| 5241 | 16 | 346C | 142AA |

#77918

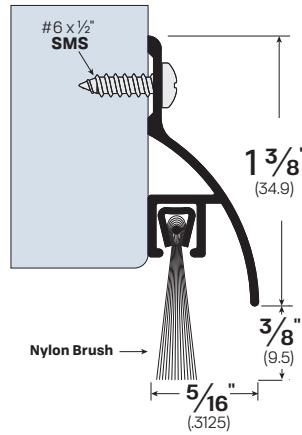


FINISHES: CA, MB, WP

OPTIONS: SF - Security Fasteners

| LEGACY | NGP | PEMKO | ZERO |
|--------------|------|-------|--------|
| 77918 | 101V | 345AV | 8197AA |

#78918

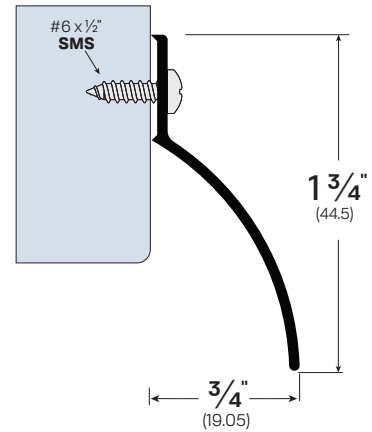


FINISHES: CA, MB, WP

OPTIONS: SF - Security Fasteners

| LEGACY | NGP | PEMKO | ZERO |
|--------------|------|---------|--------|
| 78918 | C627 | 3452ANB | 8198AA |

#711

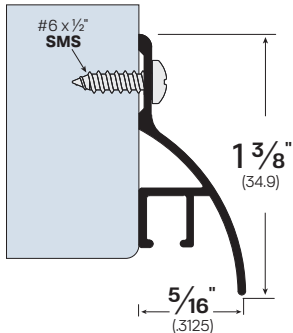


FINISHES: MA, MB, WP

OPTIONS: SF - Security Fasteners

| LEGACY | NGP | PEMKO | ZERO |
|------------|-----|-------|------|
| 711 | 17 | 345C | 11A |

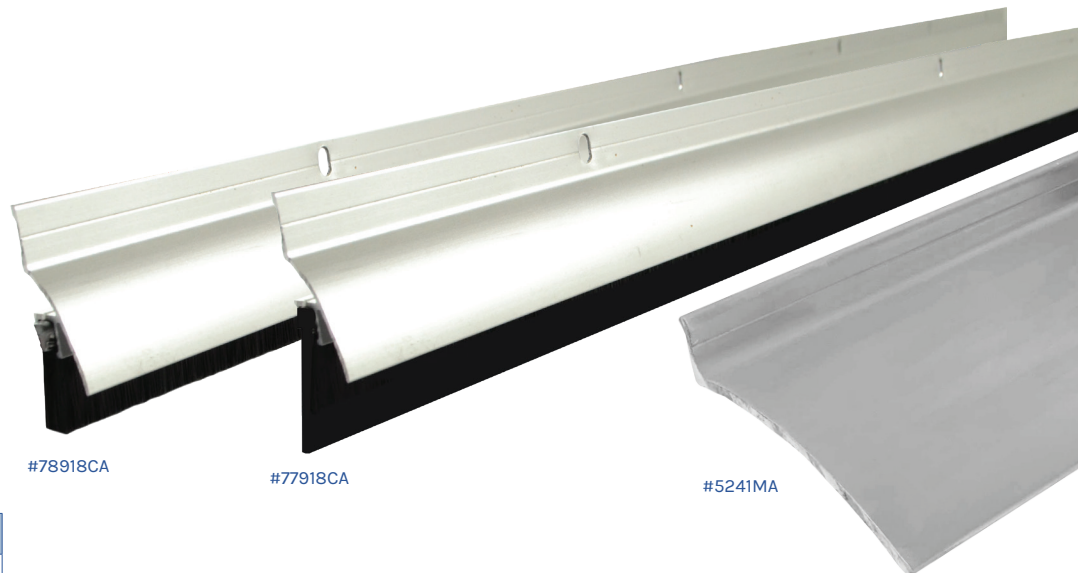
#712



FINISHES: CA, MB, WP

OPTIONS: SF - Security Fasteners

| LEGACY | NGP | PEMKO | ZERO |
|------------|-----|-------|------|
| 712 | - | - | - |



#78918CA

#77918CA

#5241MA

How To Order: Thresholds

Example #30756BR-EPX-36-FA24

Easy Ways To Order

Email
Orders@LegacyLLC.com

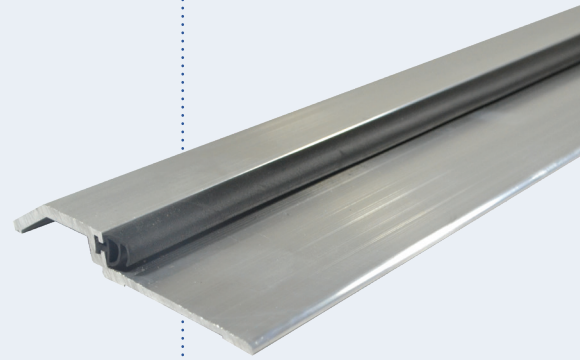
Phone
Local: +1 (718) 292-5333
Toll Free: +1 (888) 383-3330

Fax
+1 (888) 383-3330

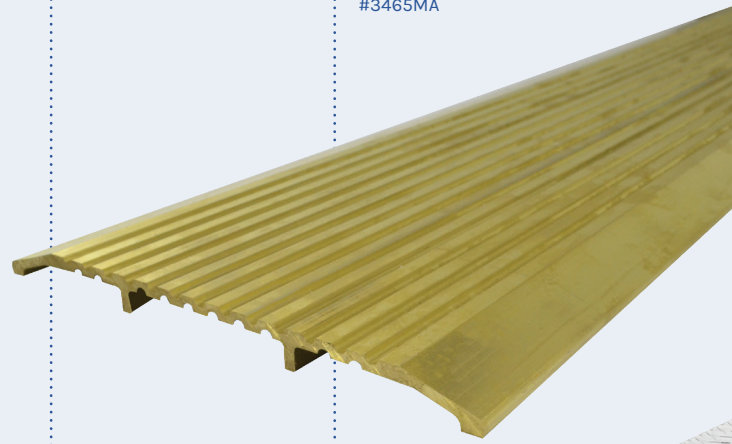
PART NUMBER & FINISH - OPTIONS - LENGTH - FASTENERS
30756 BR - EPX - 36 - FA24



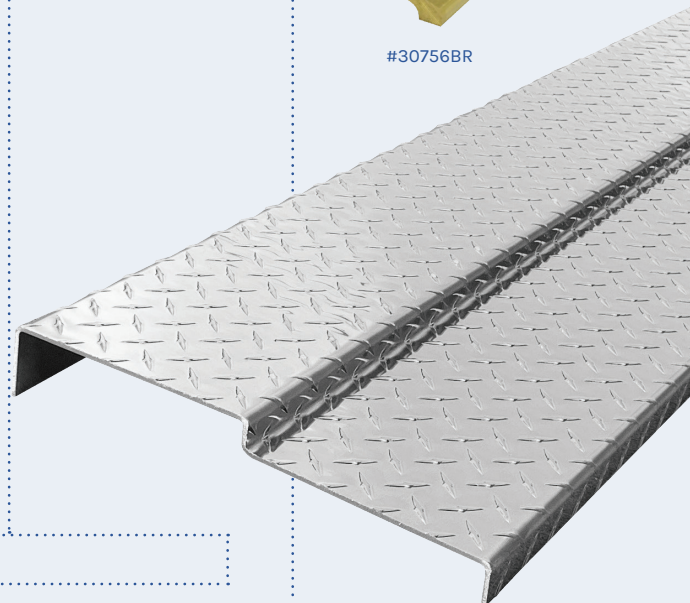
#3376MA-RUB



#3465MA



#30756BR



#3966DPSS

PART #

| | | |
|--------|-------|--------|
| 313 | 3514 | 3876 |
| 342 | 3532 | 3904 |
| 346 | 3541 | 3905 |
| 348N | 3545 | 3912 |
| 352 | 3556 | 3928 |
| 356 | 3561 | 3931 |
| 386 | 3565 | 3934 |
| 398N | 3571 | 3935 |
| 752 | 3574 | 3938 |
| 3006EJ | 3576 | 3941 |
| 3012 | 3601 | 3942 |
| 3028 | 3612 | 3948 |
| 3031 | 3616 | 3956 |
| 3106EJ | 3632 | 3960DP |
| 3143 | 3641 | 3961 |
| 3144 | 3645 | 3962 |
| 3145 | 3656 | 3964 |
| 3148 | 3661 | 3965 |
| 3221N | 3665 | 3966DP |
| 3225N | 3669 | 3971 |
| 3232 | 3676 | 3976 |
| 3276 | 3701 | 7563 |
| 3291 | 3712 | 30145 |
| 3292 | 3741 | 30176 |
| 3325 | 3745 | 30756 |
| 3332 | 3756 | 31056 |
| 3376 | 3761 | 31145 |
| 3425 | 3762 | 31245 |
| 3432 | 3776 | 34761 |
| 3441 | 3812 | 35756 |
| 3445 | 3815N | 35761 |
| 3456 | 3841 | 35861N |
| 3461 | 3845 | 36761 |
| 3465 | 3856 | 36861N |
| 3476 | 3861 | 37861N |
| 3486 | 3862 | 39766N |
| 3512 | | |

FINISH

Finishes vary by product. Please check available finishes listed for each product.

- BR** - Architectural Bronze
- DP** - Diamond Plate
- MA** - Mill Aluminum
- MB** - Matte Black Powder Coat
- SS** - Stainless Steel
- ST** - Steel

OPTIONS

Options vary by product. Please check available options listed for each product.

- Blank** - No Option
- ACF** - Aluminum Composite Filler
- EPX** - Epoxy Abrasive
- FL** - Fire Label
- LA** - Lead Anchors
- LIG** - Ligature Resistant
- ORB** - Oil-Rubbed Bronze
- PEPX** - Photoluminescent Epoxy Abrasive
- POL** - Polished Bronze
- RUB** - Rubber Grip

LENGTH Please specify to nearest 1/16"

FASTENERS **Blank** - Standard **Fastener Options** - FA21 - FA22 - FA 23 - FA24 - FA26 (see page 27 for details)

Accessories & Options



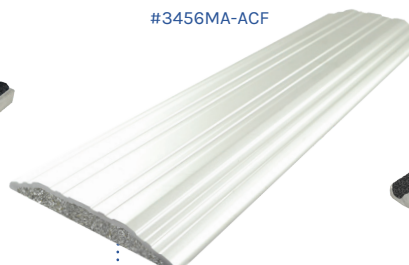
EPOXY ABRASIVE
(EPX)

This exceptionally strong, slip-resistant surface provides maximum durability and safety, especially for high-traffic outdoor applications. Ideal for parks, schools, hospitals, and industrial buildings. The epoxy abrasive particle mix is bonded to the aluminum base.



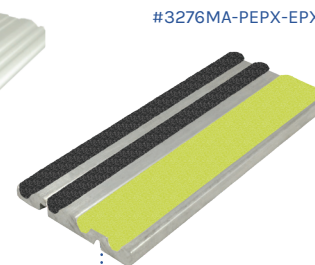
RUBBER GRIP
(RUB)

Typically used for interior applications. In place of conventional rubber inserts, our unique process chemically applies non-slip rubber to threshold grooves for enhanced grip and strength.



ALUMINUM COMPOSITE FILLER
(ACF)

Strengthens and reinforces thresholds to prevent bending or crushing under high-traffic and heavyweight use in schools, industrial and manufacturing plants, and other high-stress applications.



PHOTOLUMINESCENT EPOXY ABRASIVE
(PEPX)

Threshold grooves are filled with a proprietary photoluminescent epoxy that emits luminescence after charging by exposure to ambient light. Specify for compliance with code requirements for photoluminescent stairwell and exit path markings.

Epoxy Color Options

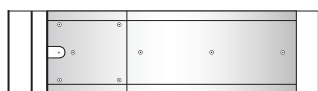


Floor Closer Cover Plates

For use on thresholds that are 7" or wider. Left hand shown on all diagrams below. Specify handing with RH or LH.

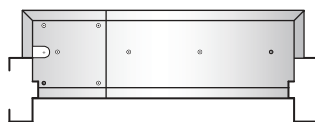
Type 1

For doors hung in center of frame



Type 3

For use with all offset closers and pivot sets



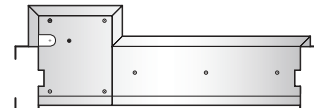
Type 4

For doors hung flush with face of frame



Type 5

For use with offset closers and pivot sets



Fasteners / Anchors

#FA26

#FA21

#FA22

#FA23

#FA24



PRODUCT SPECIFICATIONS

#FA26 Stainless Steel Sleeve Anchor
1/4 x 3" Long

#FA21 Plastic Shields For Wood Screws
#10 Flat Phillips SMS
(Screw lengths: 1-1/4", 1-1/2", or 1-3/4")

#FA22 Lead Shields For Wood Screws
#10 Flat Phillips SMS
(Screw lengths: 1-1/4", 1-1/2", or 1-3/4")

#FA23 Anchors With 10-24 Machine Screws
MSLA-10

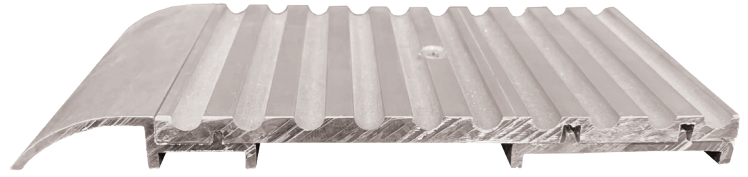
#FA24 Anchor With 1/4 -20 Machine Screw
MSLA-4

Adjustable Thresholds

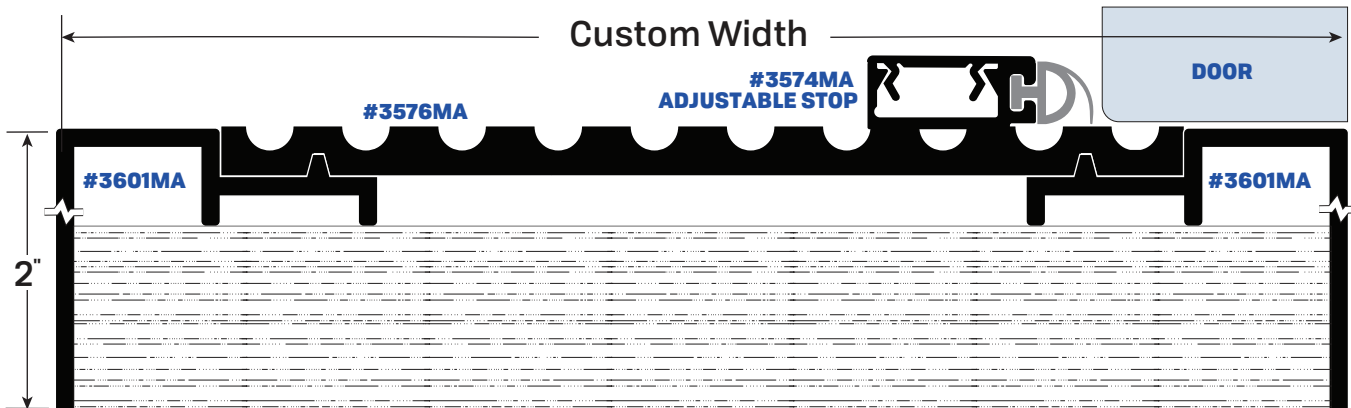
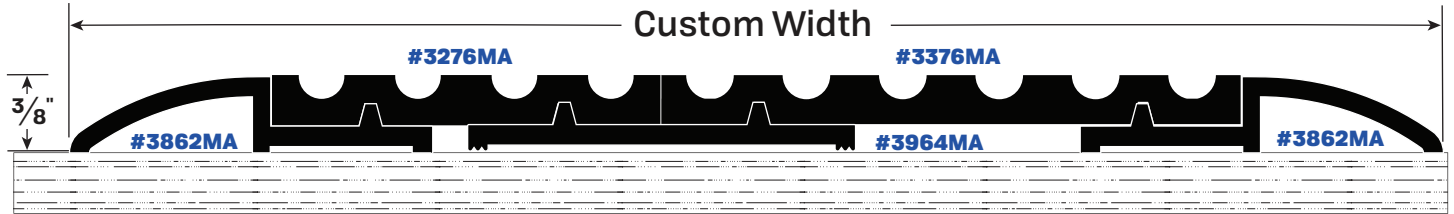
FINISHES: MA

OPTIONS: ACF, EPX, FL, LA, PEPX, RUB

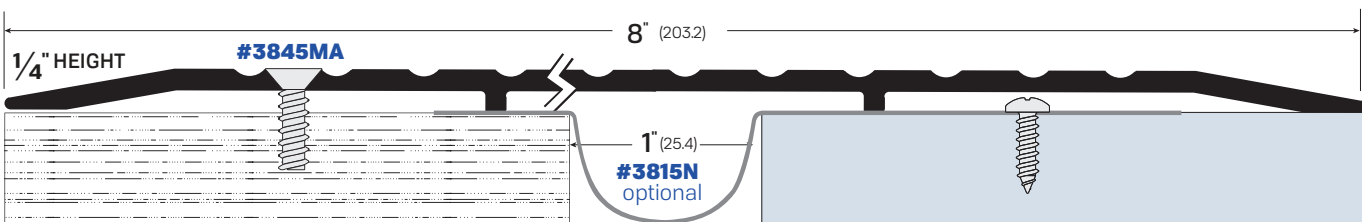
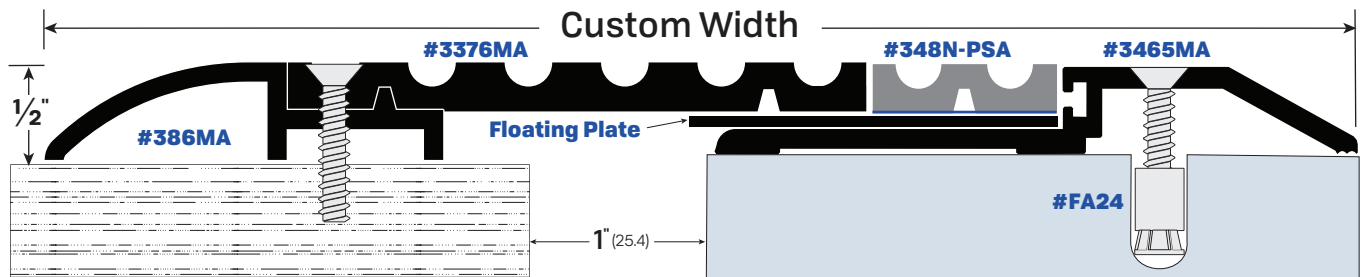
NOTES: Flathead Zinc-plated screws - #10 x 1-1/2"



#386MA, #3576MA, #3962MA



Expansion Joint Configurations



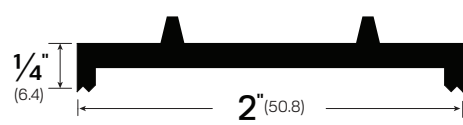
Thresholds / Saddles

| LEGACY | 3276 | 3376 | 3476 | 3576 | 3676 | 3776 | 3876 | 3976 | 30176 | 348N | 398N |
|--------|------|------|------|-------|------|------|------|------|-------|-------|------|
| NGP | 8142 | 8143 | 8144 | 8145 | 8146 | 8147 | 8148 | 8149 | 8150 | 8168N | - |
| PEMKO | 190A | 191A | 192A | 2266A | 193A | - | 228A | - | - | - | - |
| ZERO | 672A | 673A | 674A | 675A | 676A | - | 678A | - | 6710A | 84R | 89N |

| LEGACY | 386 | 3862 | 3962 | 3964 | 3031 | 3931 | 3861 | 3601 |
|--------|------|------|------|------|------|------|------|------|
| NGP | 8140 | 8139 | BAR4 | BAR1 | 57 | 58 | 8141 | 8134 |
| PEMKO | 195A | 200 | 2961 | 2949 | 183 | 188 | 194 | 3261 |
| ZERO | 68A | 268A | 269A | 469A | - | - | 168A | 106A |



#3962



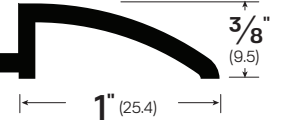
#386



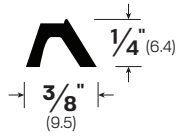
#3964



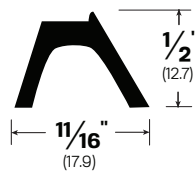
#3862



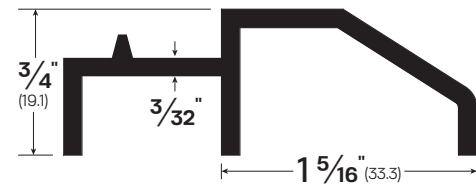
#3031



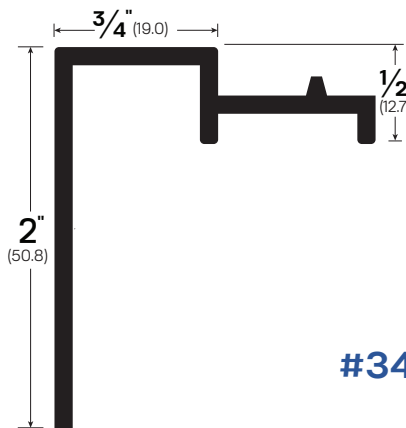
#3931



#3861



#3601



#3376



#398N



#348N



#3876



#3776



#3676



#3576



#3476



#3376



#398N



#348N



#30176 10"



#3976 9"



#3876 8"



#3776 7"



#3676 6"



#3576 5"



#3476 4"



#3376 3"



#398N 2"

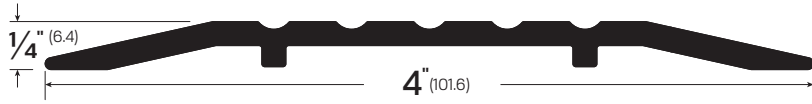


#348N 1"



Thresholds
Saddles

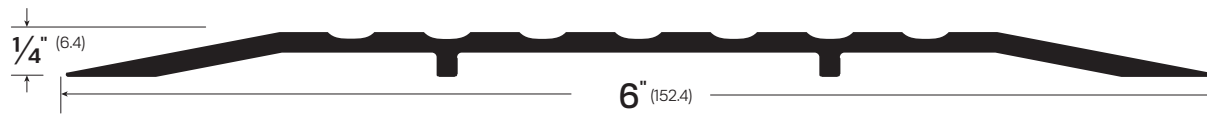
#3445



#3545



#3645

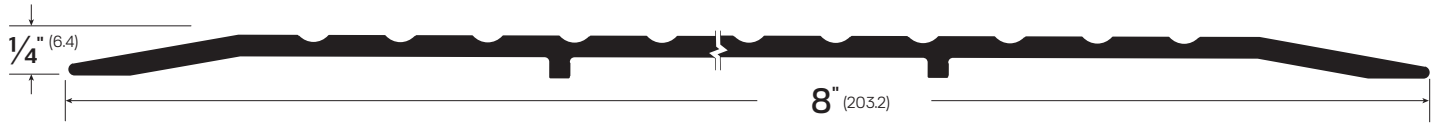


#3445MA-EPX

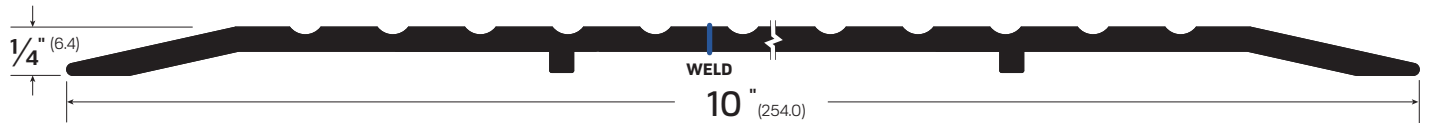
#3745



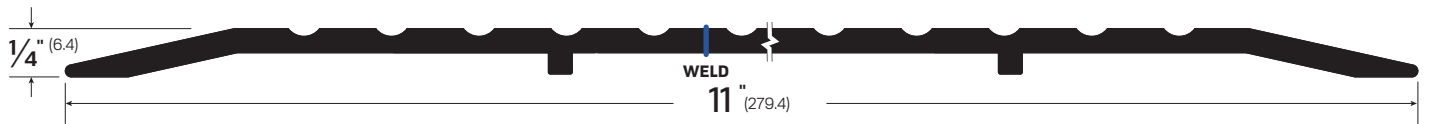
#3845



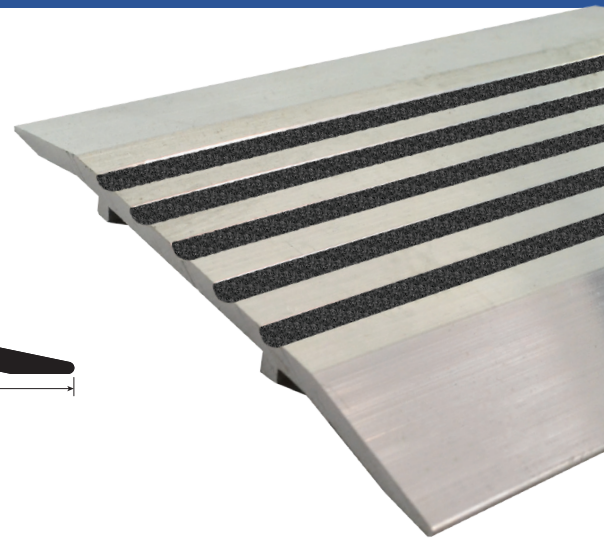
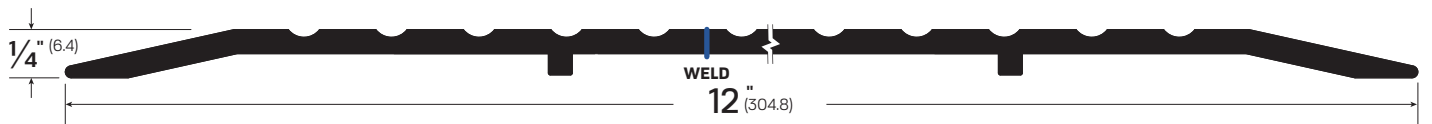
#30145



#31145



#31245



Thresholds
Saddles

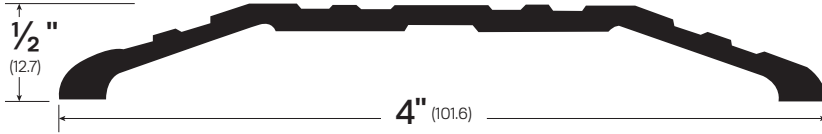
| LEGACY | 3445 | 3545 | 3645 | 3745 | 3845 | 30145 | 31145 | 31245 |
|--------|------|------|------|------|------|-------|-------|-------|
| NGP | 413 | 513 | 613 | 713 | 813 | 1013 | - | - |
| PEMKO | 270A | 271 | 272 | 276A | 2748 | 2750 | - | - |
| ZERO | 544A | 545A | 546A | 547A | 548 | - | - | - |



FINISHES: MA

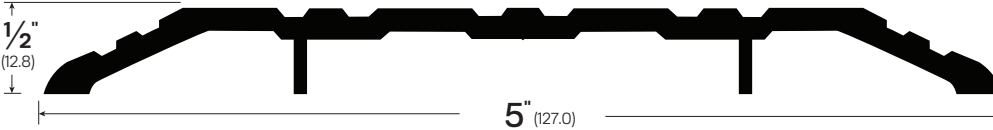
OPTIONS: ACF, EPX, FL, LA, PEPX, RUB

NOTES: Flathead Zinc-plated screws - #10 x 1-1/2"



#3456  

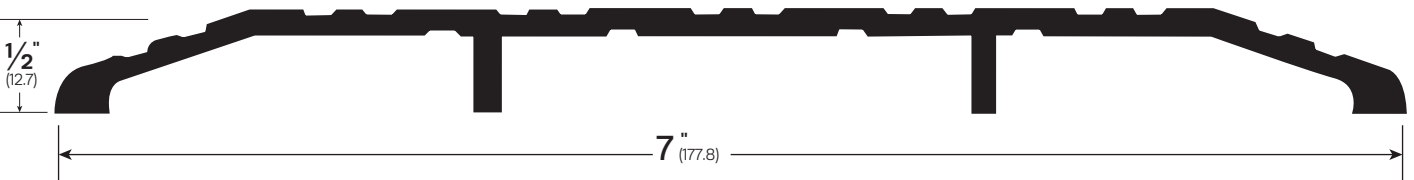


#3556   Also available in **BK** - Black Anodized Aluminum

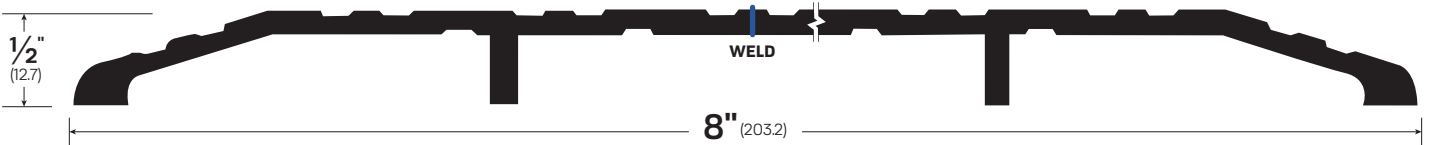


#3556BK

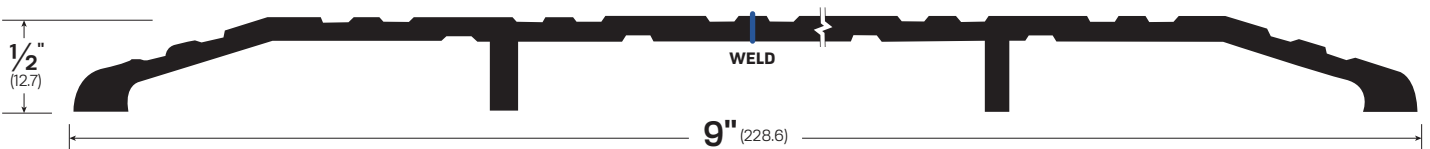
#3756   *Also available in Architectural Bronze **30756BR**



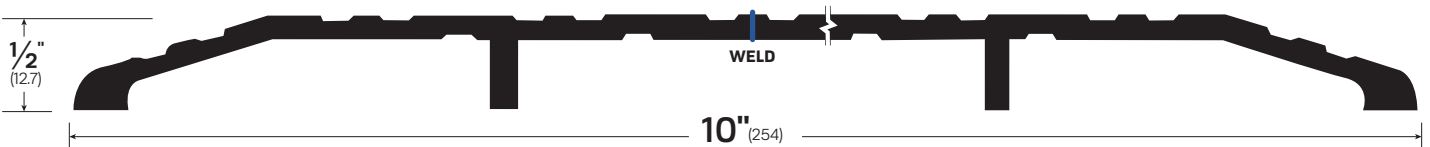
#3856 



#3956 



#31056 



Thresholds
Saddles

| LEGACY | 3456 | 3556 | 3756 | 3856 | 3956 | 31056 |
|--------|------|-------|-------|------|------|-------|
| NGP | 424 | 425 | 425E | 428E | 429E | 430E |
| PEMKO | 170A | 1665A | 176A | 2548 | 2549 | 2550 |
| ZERO | 654A | 655A | 8655A | - | - | - |

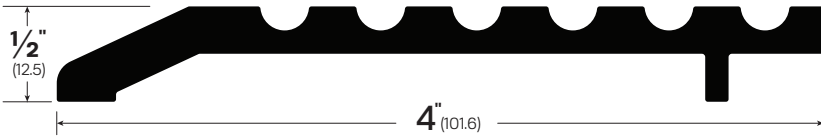
FINISHES: MA

OPTIONS: ACF, EPX, FL, LA, PEPX, RUB

NOTES: Flathead Zinc-plated screws - #10 x 1-1/2"

Thresholds
Saddles

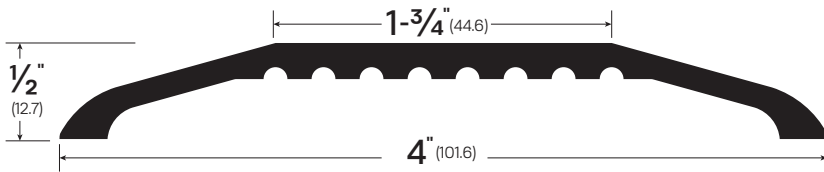
#3904



#3905



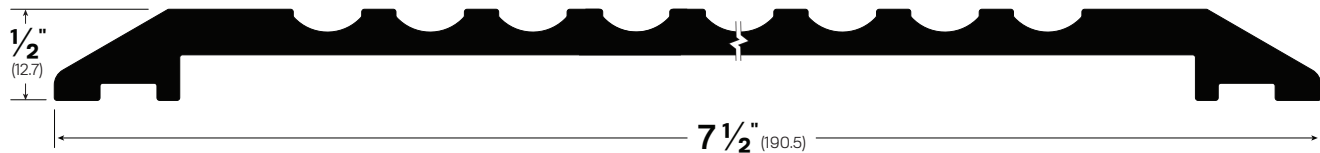
#3461



#3656 *Also available in Architectural Bronze **3656BR**



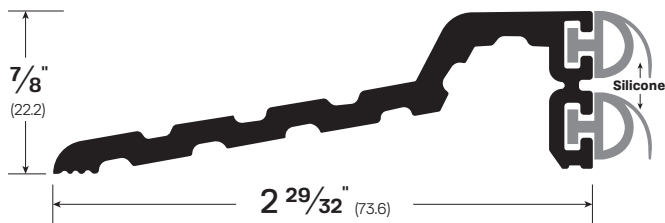
#35756



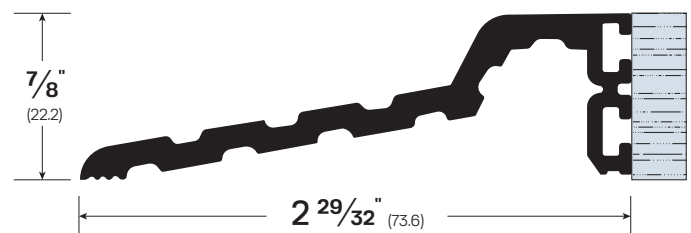
#346



#3425



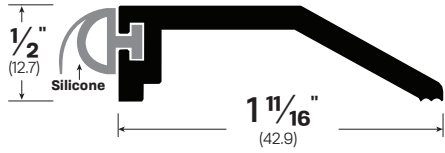
#3325



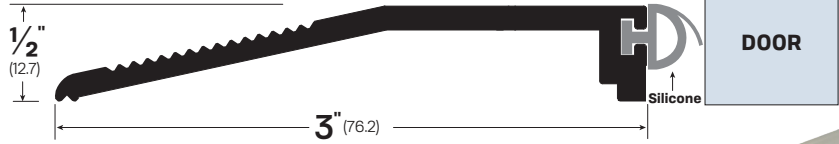
| LEGACY | 3904 | 3905 | 3461 | 3656 | 35756 | 346 | 3425 | 3325 |
|--------|------|-------|------|------|-------|-----|------|------|
| NGP | 324 | 325 | 412 | 426 | 8745 | - | - | - |
| PEMKO | 227 | 229 | 175 | 172 | - | - | - | - |
| ZERO | 1674 | 1675A | 164A | 656A | 6575A | - | 524A | 523A |

FINISHES: MA
OPTIONS: ACF, EPX, FL, LA, PEPX, RUB
NOTES: Flathead Zinc-plated screws - #10 x 1-1/2"

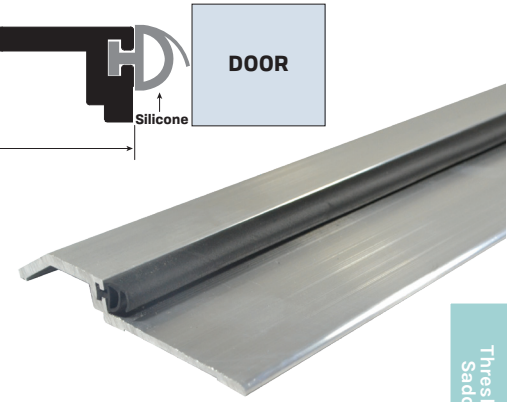
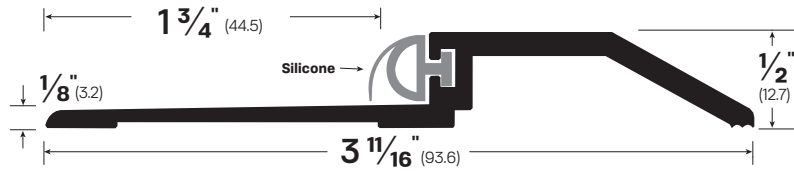
#3292



#395

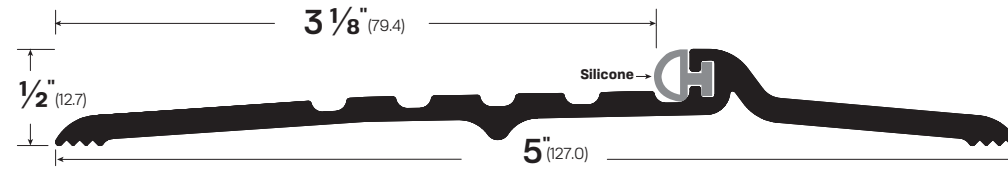


#3465 *Also available in **BA** - Black Anodized Aluminum

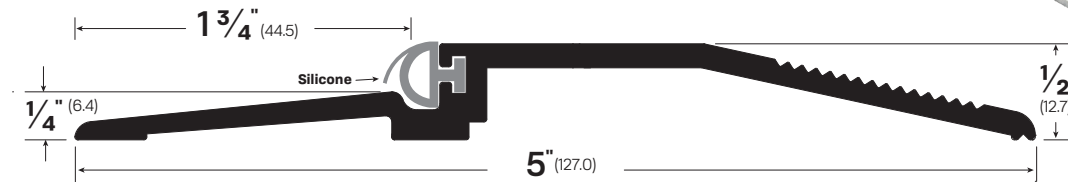


#3465MA

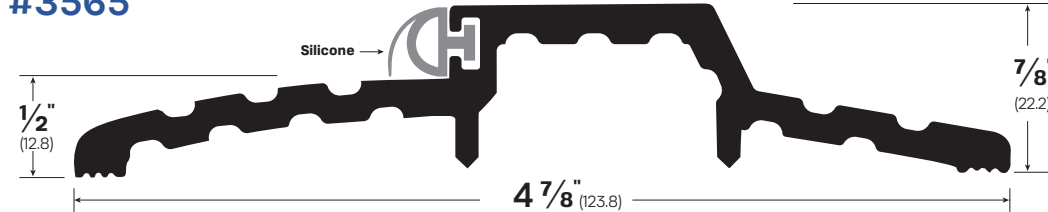
#356



#3665

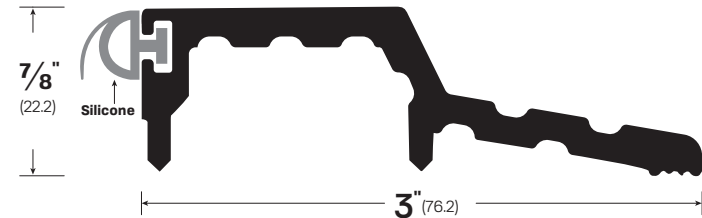


#3565

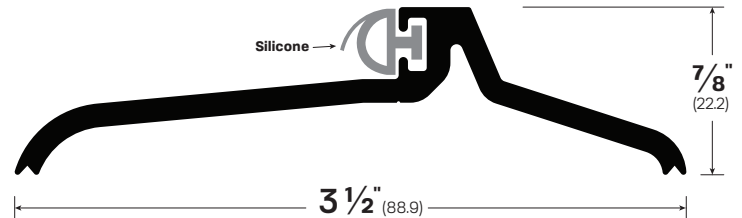


#3665MA

#3291



#3935



| LEGACY | 3465 | 395 | 3292 | 356 | 3665 | 3565 | 3291 | 3935 |
|--------|---------|-----|------|--------|--------|------|------|------|
| NGP | 8135N | - | - | 896N | 950N | 897N | - | 891 |
| PEMKO | 2008APK | - | - | 2005AT | 2005-Q | 277 | - | 185 |
| ZERO | 564A | - | - | 65A | 566A | 565A | - | - |

FINISHES: MA
OPTIONS: ACF, EPX, FL, LA, PEPX, RUB
NOTES: Flathead Zinc-plated screws - #10 x 1-1/2"

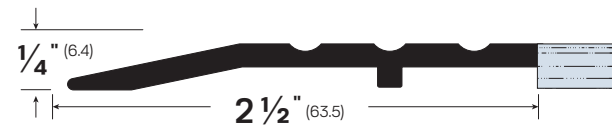
#3441



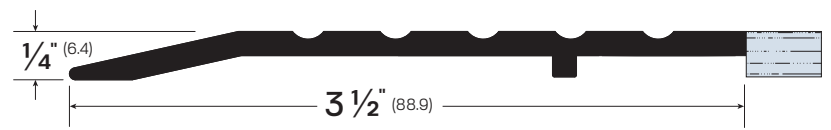
#3641



#3541



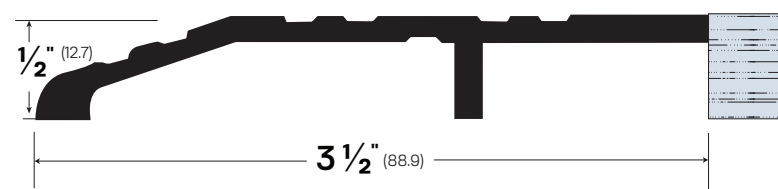
#3741



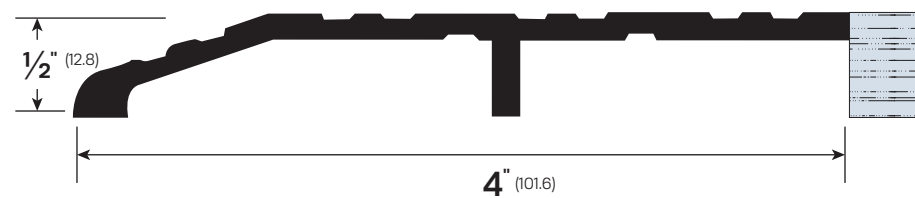
#3616



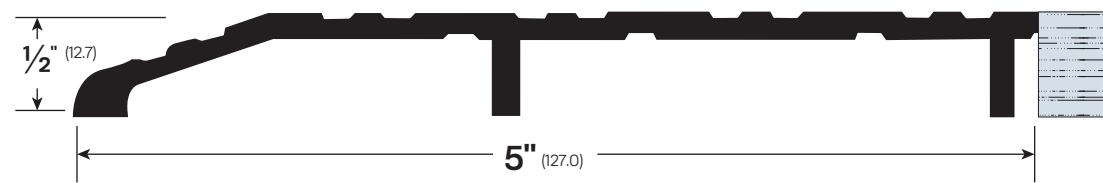
#3841 *Also available in **BK** - Black Anodized Aluminum



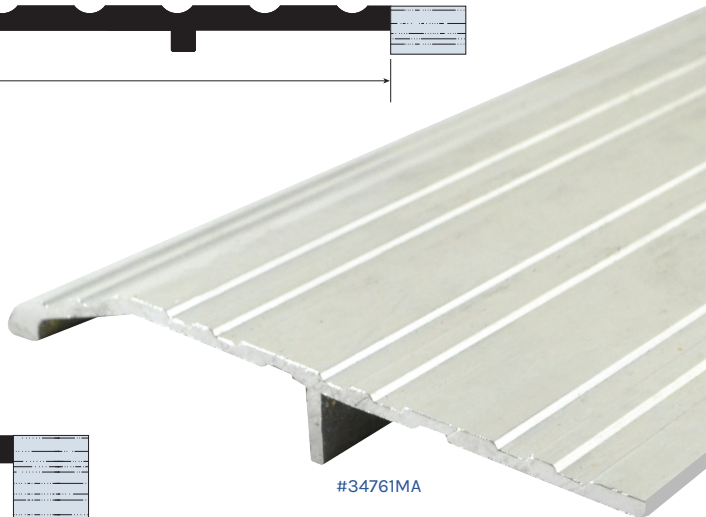
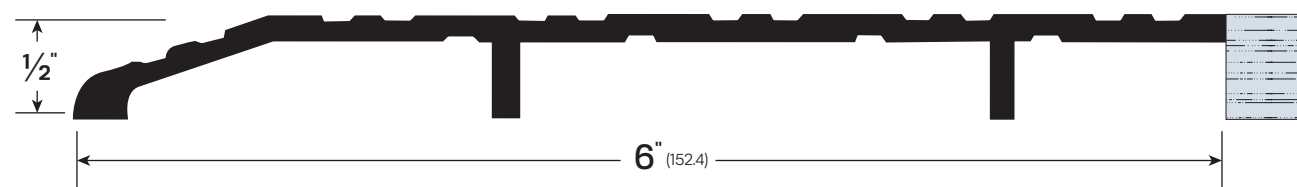
#34761 *Also available in **BK** - Black Anodized Aluminum



#35761



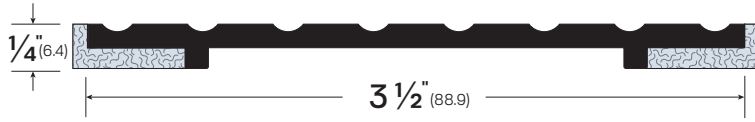
#36761



| LEGACY | 3441 | 3541 | 3641 | 3741 | 3616 | 3841 | 34761 | 35761 | 36761 |
|--------|------|-------|------|------|------|-------|-------|-------|-------|
| NGP | 215 | 417 | 315 | 415 | - | 323 | 327 | 350 | - |
| PEMKO | 278A | 279A | 273A | 274A | - | 253A | 254A | 255A | - |
| ZERO | - | 1545A | - | - | - | 1674A | 1674A | 1675A | - |

FINISHES: MA
OPTIONS: ACF, EPX, FL, LA, PEPX, RUB
NOTES: Flathead Zinc-plated screws - #10 x 1-1/2"

#3143



#3144



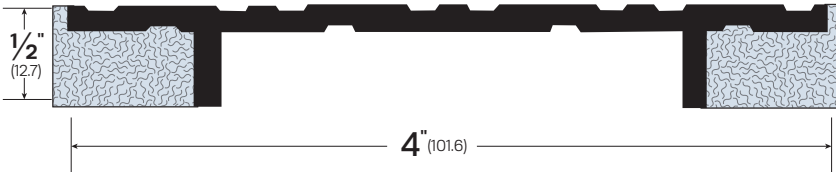
#3145



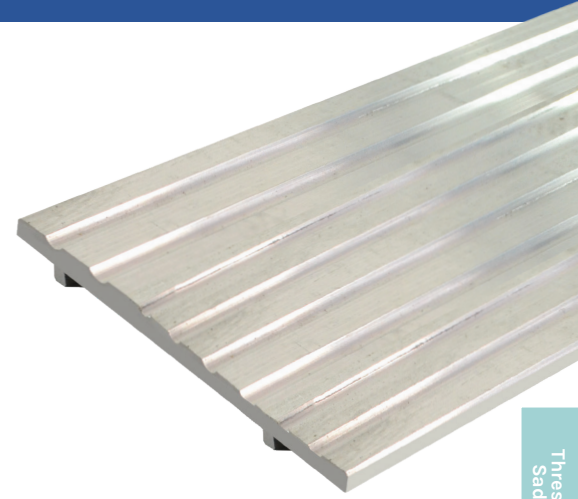
#3486



#342

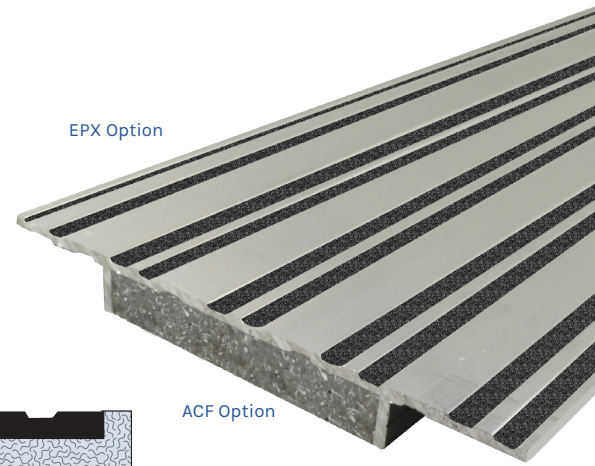


#352



#3144MA

Thresholds
Saddles



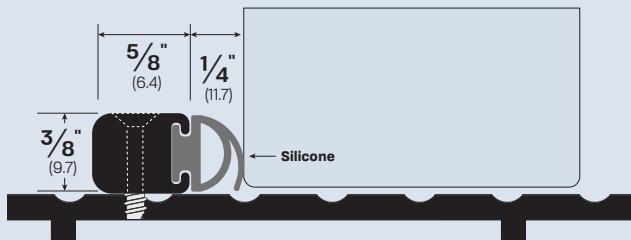
EPX Option

ACF Option

#3486MA-ACF-EPX

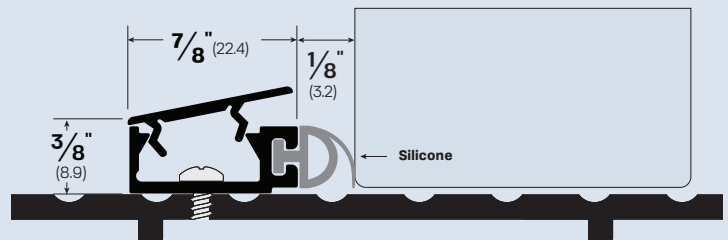
Stop Strips Can be surface-mounted to any threshold.

#3574  



FINISHES: CA, MB, WP
OPTIONS: **LIG** - Ligature Resistant **FL** - Fire Label **S-WH** - White Silicone

#313 



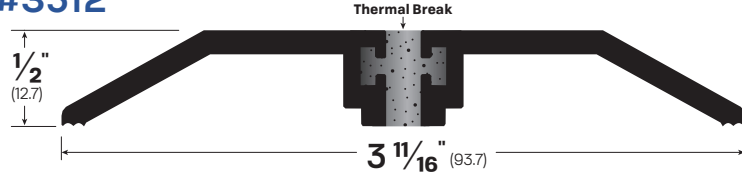
FINISHES: CA, MB, WP
OPTIONS: **LIG** - Ligature Resistant **FL** - Fire Label **S-WH** - White Silicone

| LEGACY | 3143 | 3144 | 3145 | 3486 | 342 | 352 | 3574 | 313 |
|--------|------|------|------|-------|-----|-----|------|-----|
| NGP | - | - | - | 404 | - | - | - | - |
| PEMKO | - | - | - | 2364A | - | - | - | - |
| ZERO | - | - | - | - | - | - | - | - |

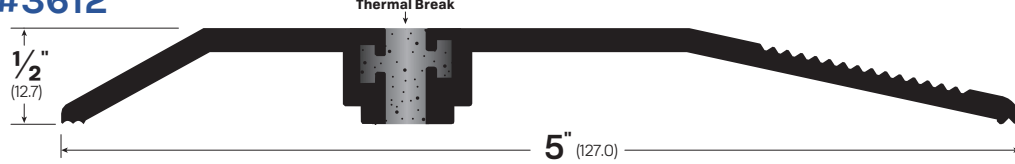
FINISHES: MA
OPTIONS: ACF, EPX, FL, LA, PEPX, RUB
NOTES: Flathead Zinc-plated screws - #10 x 1-1/2"

Thresholds / Saddles

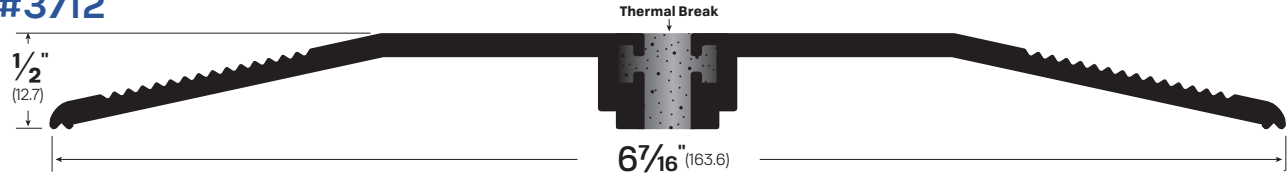
#3512



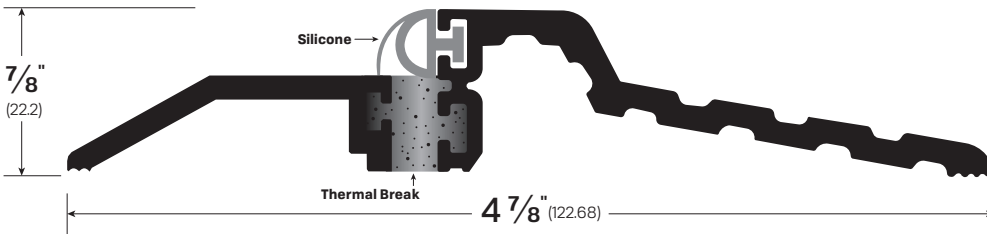
#3612



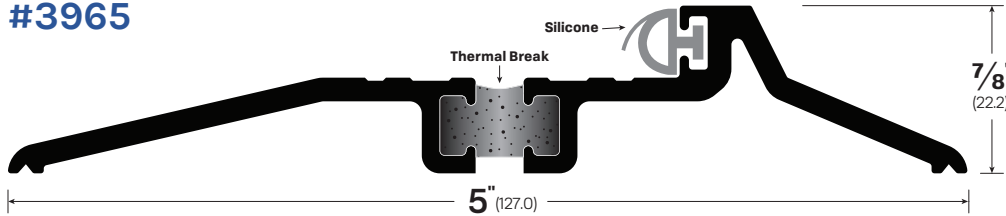
#3712



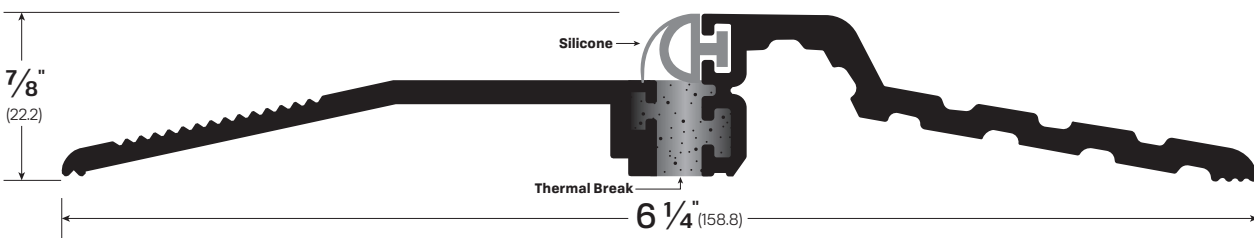
#3812



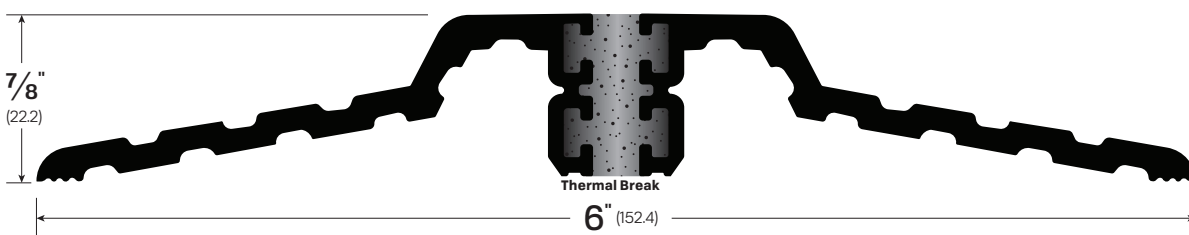
#3965



#3912



#3012



#3712MA

NO
COMPETITOR
EQUIVALENTS

Thermal break thresholds are useful for doorways subject to extreme temperature differentials, such as building exterior entrances or unheated stairwell enclosures. Proprietary, non-conductive thermal break material inhibits the transmission of thermal energy at the door bottom.

FINISHES: MA

OPTIONS: ACF, EPX, FL, LA, PEPX, RUB

NOTES: Flathead Zinc-plated screws - #10 x 1-1/2"

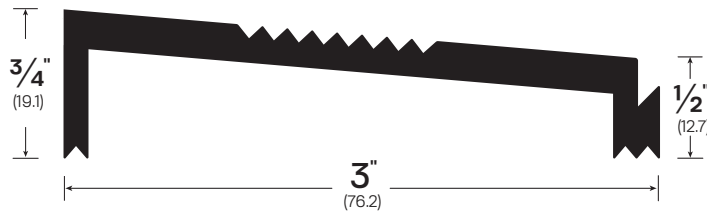
#3532



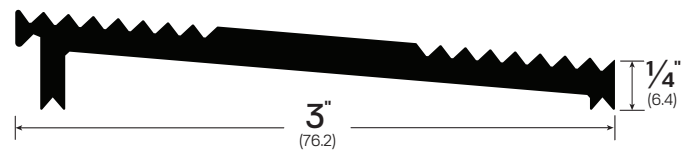
#3632



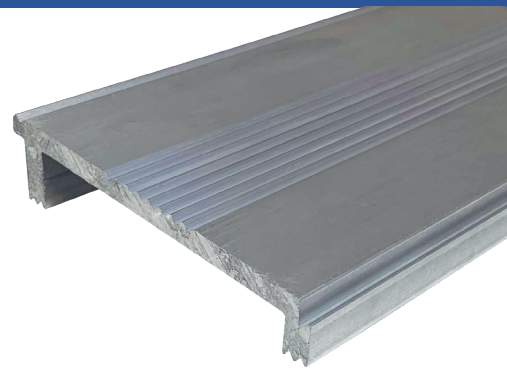
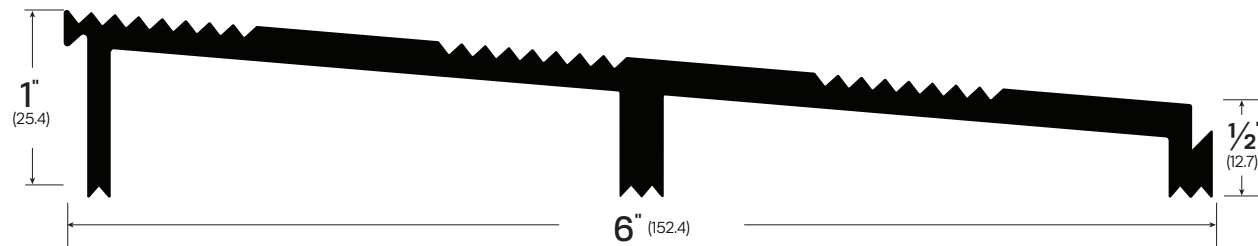
#3332



#3432



#3232

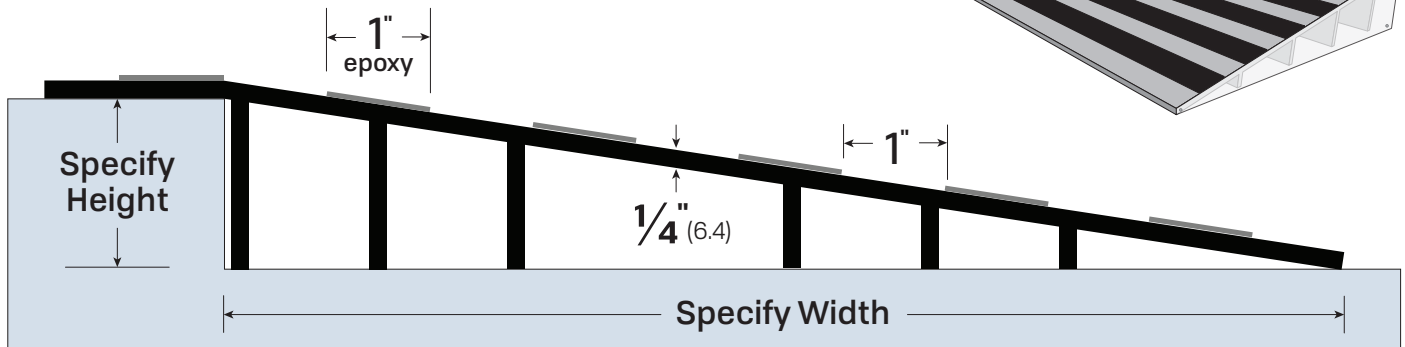
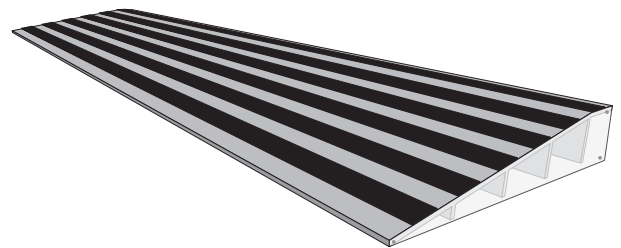


#3332MA

Thresholds
Saddles

Custom Ramps

Legacy can manufacture ramps to your specifications, including features such as our epoxy abrasive, photoluminescent epoxy and cover plates.



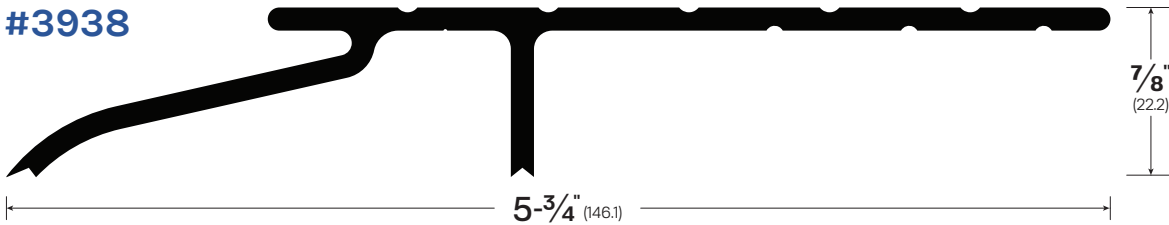
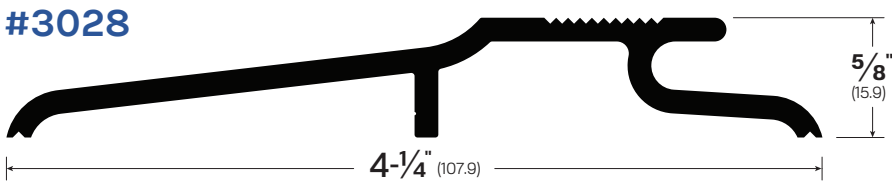
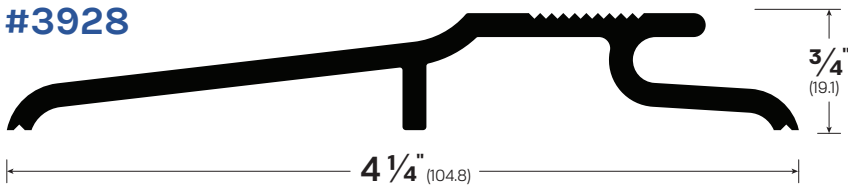
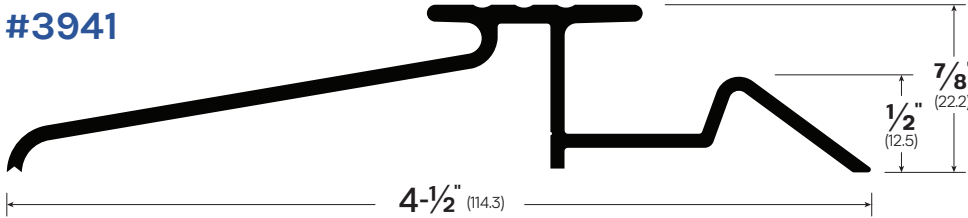
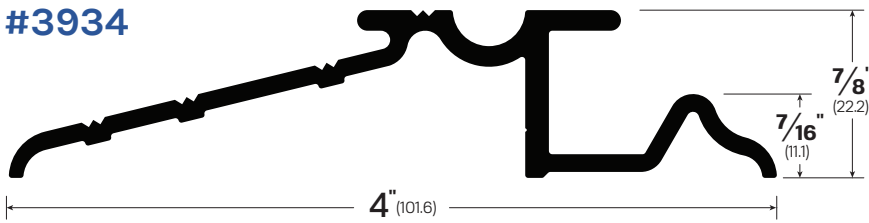
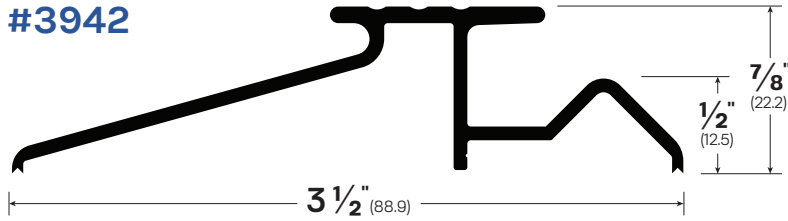
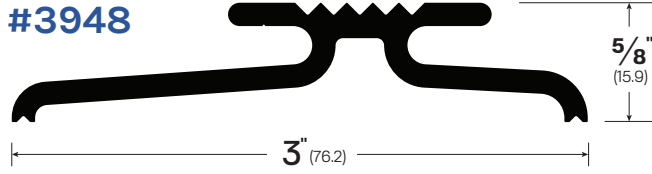
| LEGACY | 3232 | 3332 | 3432 | 3532 | 3632 |
|--------|-------|--------|------|------|--------|
| NGP | 954 | 953 | - | - | R50 |
| PEMKO | RAMP5 | RAMP5A | - | - | RAMP4A |
| ZERO | 232 | 233 | 234 | 235 | 236 |

FINISHES: MA

OPTIONS: ACF, EPX, FL, LA, PEPX, RUB

NOTES: Flathead Zinc-plated screws - #10 x 1-1/2"

Thresholds
Saddles



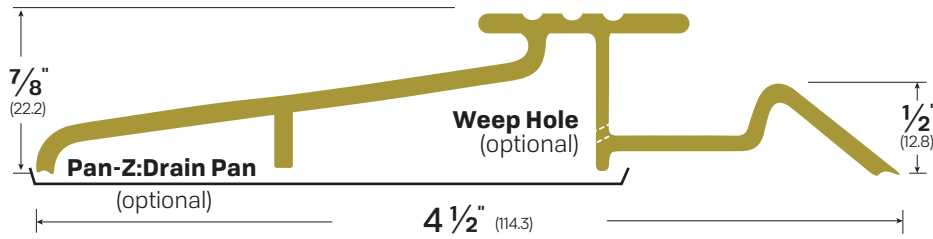
| LEGACY | 3028 | 3934 | 3938 | 3941 | 3942 | 3948 | 3928 |
|--------|------|------|------|------|------|------|------|
| NGP | - | - | - | - | - | - | - |
| PEMKO | - | - | - | - | - | - | - |
| ZERO | - | - | - | - | - | - | - |

FINISHES: MA

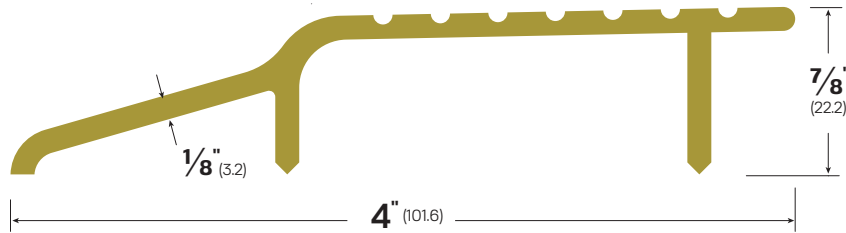
OPTIONS: ACF, EPX, FL, LA, PEPX, RUB

NOTES: Flathead Zinc-plated screws - #10 x 1-1/2"

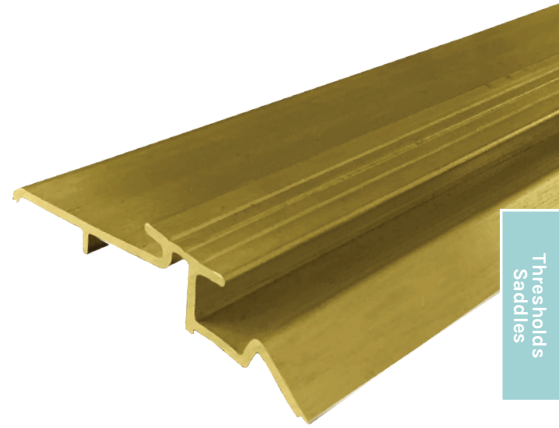
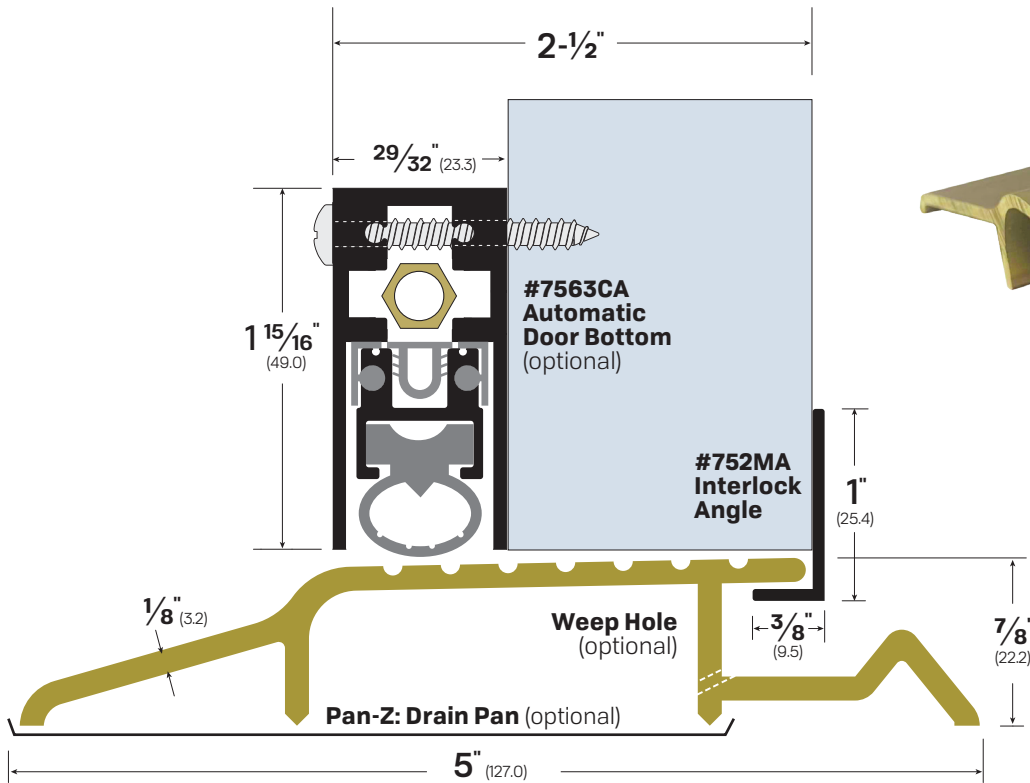
#3148BR



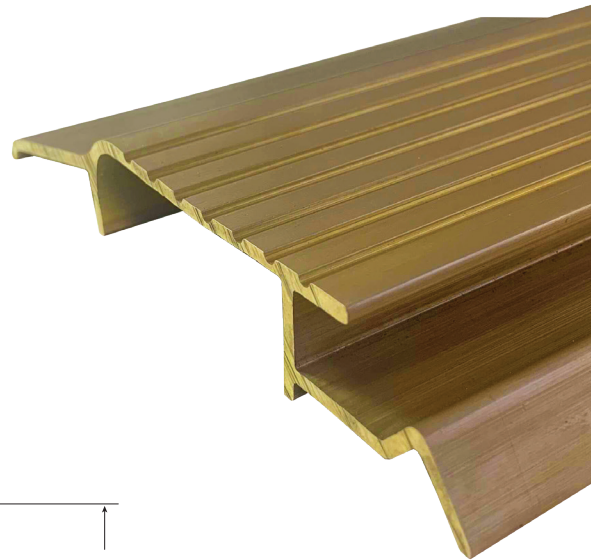
#3971BR



#3571BR



Thresholds
Saddles



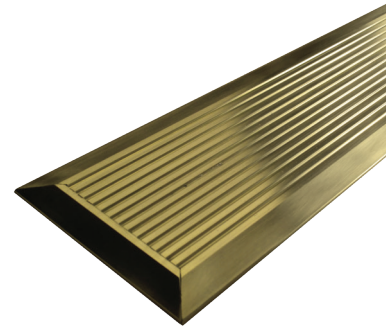
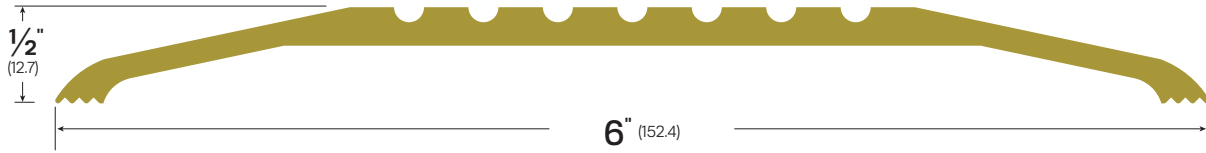
| LEGACY | 3148BR | 3971BR | 3571BR |
|--------|--------|--------|--------|
| NGP | 484BR | - | - |
| PEMKO | - | - | - |
| ZERO | - | - | - |

FINISHES: BR
OPTIONS: ACF, EPX, FL, LA, PEPX, RUB
NOTES: Flathead Zinc-plated screws - #10 x 1-1/2"

#3545BR

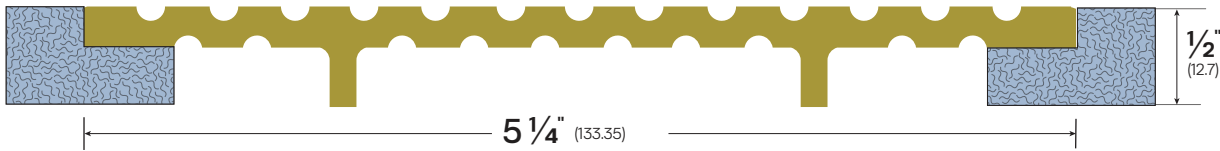


#3656BR

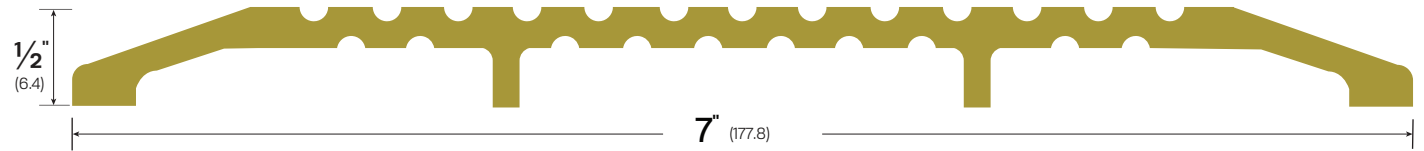


#30756BR

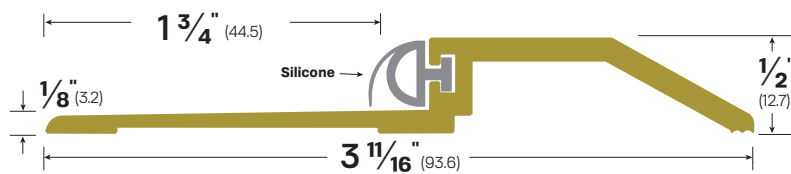
#3514BR



#30756BR

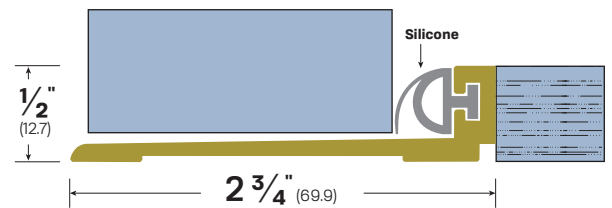


#3465BR

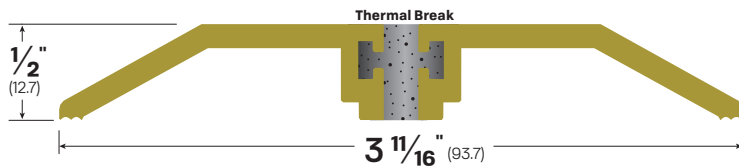


OPTIONS: EMI/RFI - Electromagnetic/Radio Frequency Interference

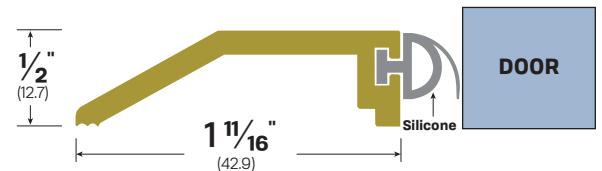
#3762BR



#3512BR



#3292BR



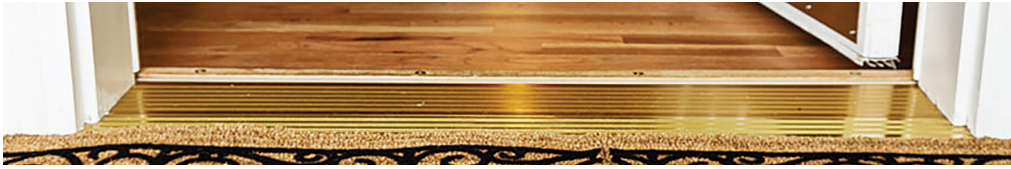
| LEGACY | 3545BR | 3656BR | 3514BR | 30756BR | 3465BR | 3762BR | 3512BR | 3292BR |
|--------|--------|--------|--------|---------|--------|--------|--------|--------|
| NGP | 513BR | 426B | - | 427BR | - | - | - | - |
| PEMKO | 271B | 172B | - | 176B | - | - | - | - |
| ZERO | 545B | 656B | - | 657B | 564B | - | - | - |

FINISHES: BR

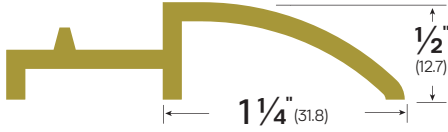
OPTIONS: ACF, EPX, FL, LA, PEPX, RUB

NOTES: Flathead Zinc-plated screws - #10 x 1-1/2"

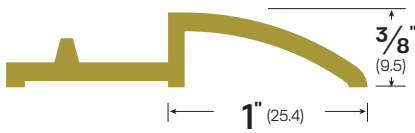
Thresholds / Saddles



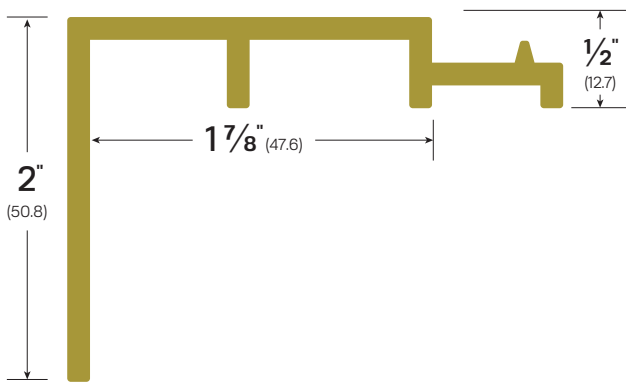
#386BR



#3862BR



#3701BR



#3676BR 6"



#3576BR 5"



#3476BR 4"



#3376BR 3"

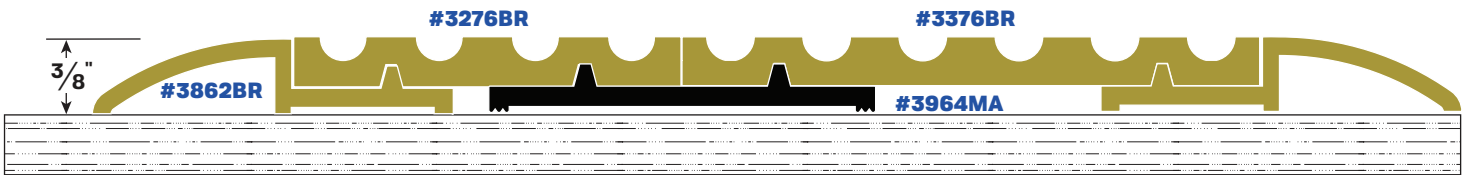


#3276BR 2"



Thresholds
Saddles

Various Configurations Configurations made from adjustable bronze thresholds.

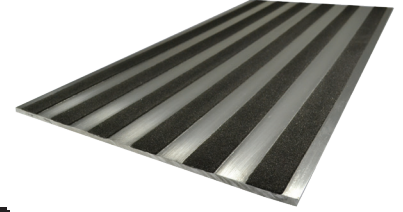


| LEGACY | 386BR | 3862BR | 3701BR | 3276BR | 3376BR | 3476BR | 3576BR | 3676BR |
|--------|--------|--------|--------|--------|--------|--------|--------|--------|
| NGP | 8140BR | - | 8134BR | 8142BR | 8143BR | 8144BR | 8145BR | 8146BR |
| PEMKO | 195B | - | 3261B | 190B | 191B | 192B | - | 193B |
| ZERO | 68B | 268B | 107B | 672B | 673B | 674B | 675B | 676B |

FINISHES: BR
OPTIONS: ACF, EPX, FL, LA, PEPX, RUB
NOTES: Flathead Zinc-plated screws - #10 x 1-1/2"

Expansion Joint Plates

#3006EJ



#3106EJ-EPX

#3106EJ



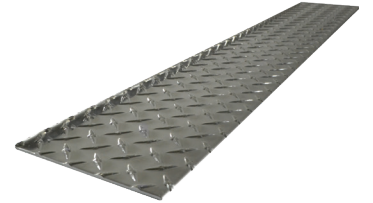
FINISHES: MA, SS

OPTIONS: ACF, EPX, FL, LS, PEPX, RB

AVAILABLE SIZES: Specify for custom widths up to 48", lengths up to 120"

NOTES: Edges are **not beveled** and plates are **not drilled** unless specified.

#3960DP DIAMOND TREAD PLATE



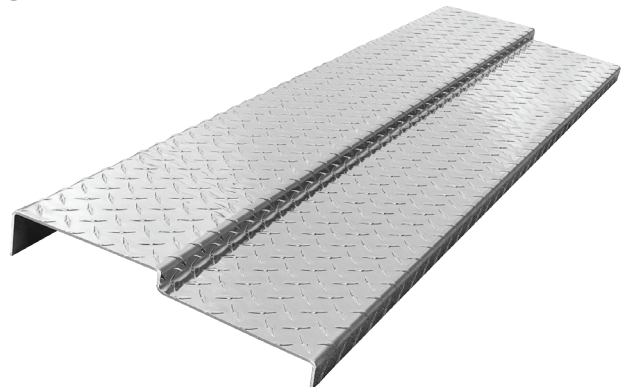
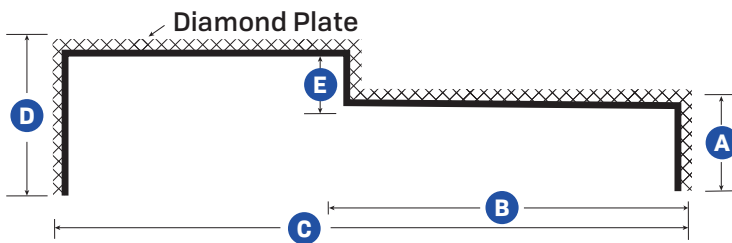
#3960DPSS

FINISHES: MA, SS, ST

AVAILABLE SIZES: Width Range: 2" - 48" - Length Range: 12" - 144"

NOTES: Edges are **not beveled** and plates are **not drilled** unless specified.

#3966DP DIAMOND-PLATE BULKHEAD THRESHOLDS



#3966DPMA

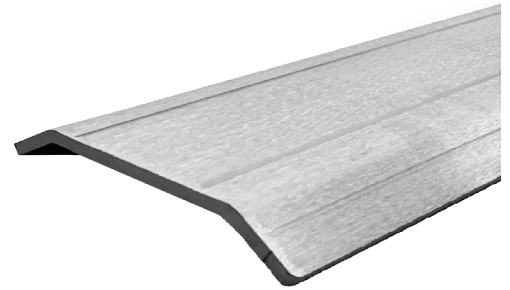
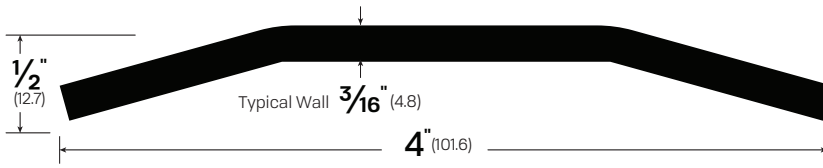
FINISHES: MA, SS, ST

NOTES:

- Custom order - Specify dimensions of A, B, C, D
- E dimension must be 1"
- Drawing is not drawn to scale

| LEGACY | 3006EJ | 3106EJ | 3960DP | 3966DP |
|--------|--------|--------|--------|--------|
| NGP | 818 | 814 | 828 | - |
| PEMKO | 18/1A | 14/1A | - | - |
| ZERO | 600CP | 601CP | - | 669DP |

#3461SS



#3461SS

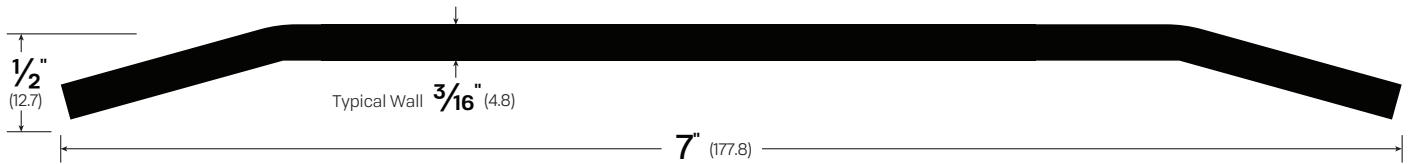
#3561SS



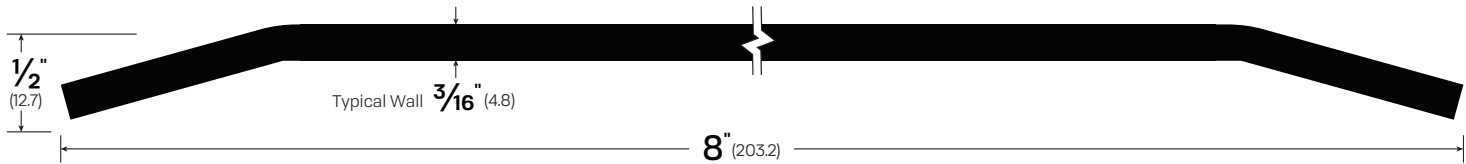
#3661SS



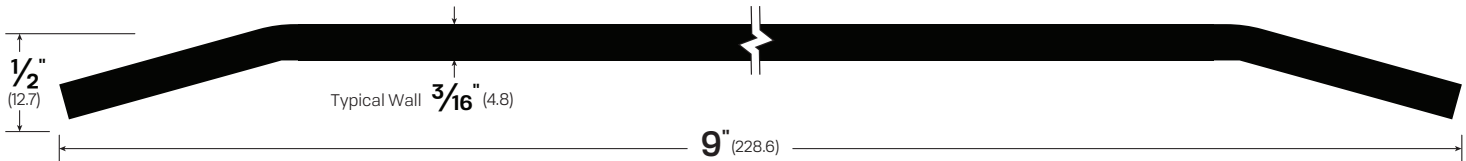
#3761SS



#3861SS



#3961SS



Thresholds
Saddles

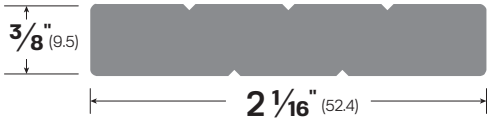
| LEGACY | 3461SS | 3561SS | 3661SS | 3761SS | 3861SS | 3961SS |
|--------|--------|--------|--------|--------|--------|--------|
| NGP | 412SS | 512SS | 612SS | 712SS | 812SS | - |
| PEMKO | 175SS | 154SS | - | - | - | - |
| ZERO | 664ST | - | - | - | - | - |

FINISHES: SS

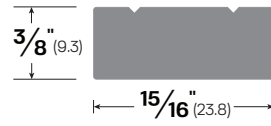
OPTIONS: ACF, EPX, LS, PEPX, RUB

NOTES: Flathead Zinc-plated screws - #10 x 1-1/2"

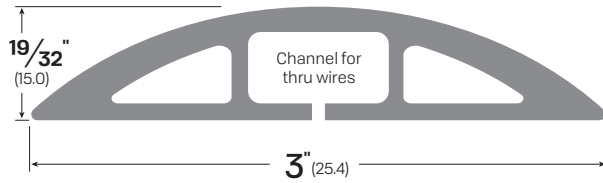
39766N



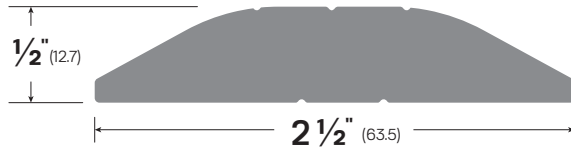
3225N



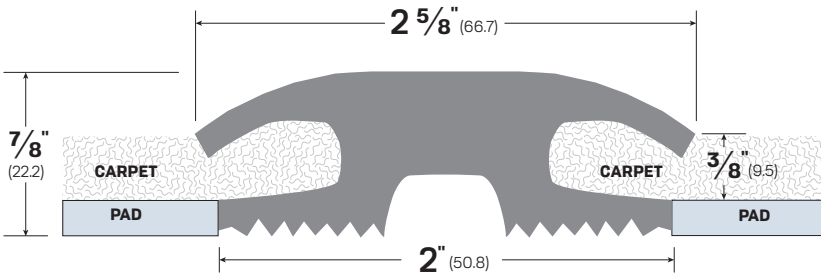
3221N



3224N

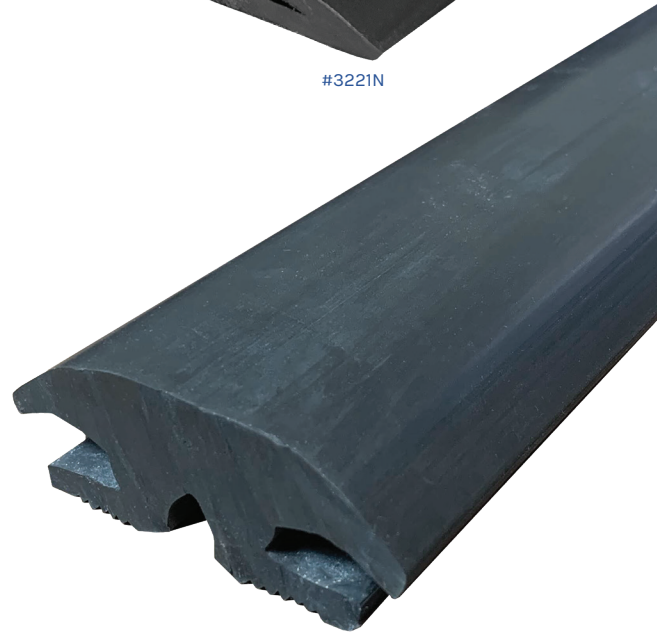
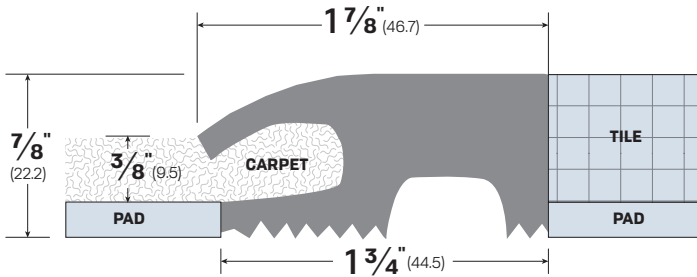


#35861N



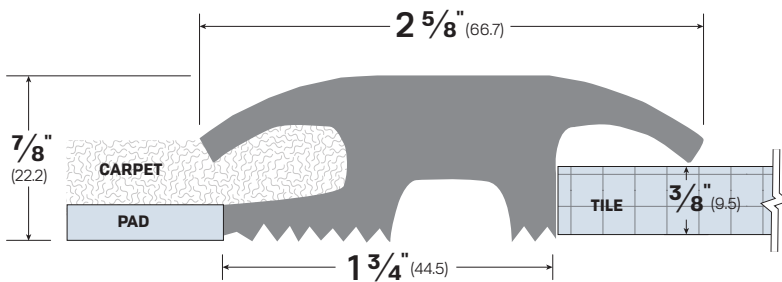
#3221N

#36861N



#35861N

#37861N



| LEGACY | 39766N | 3225N | 3221N | 35861N | 36861N | 37861N |
|--------|--------|-------|-------|--------|--------|--------|
| NGP | - | - | - | 401 | 402 | - |
| PEMKO | - | - | - | - | - | - |
| ZERO | - | - | - | 1685N | - | - |

MATERIAL: N - Neoprene

Thresholds
Saddles

How To Order: Self-Adhesive Gasketing

Example #5881S-BK-PSA-17FT

Easy Ways To Order

Email

Orders@LegacyLLC.com

Phone

Local: +1 (718) 292-5333
Toll Free: +1 (888) 383-3330

Fax

+1 (888) 383-3330

PART NUMBER - COLOR - OPTIONS - LENGTH (FT)
5881S - BK - PSA - 17 FT

| PART NUMBER | |
|-------------|----------|
| 1S | 5814SPR |
| 2S | 5848S |
| 3S | 5881S |
| 4S | 5883S |
| 5S | 5884S |
| 6S | 7177S |
| 7S | 7277S |
| 42PB | 50517S |
| 413PB | 50518S |
| 423PB | 50519S |
| 443PB | 50778SPR |
| 5018SPR | 50878SPR |
| 5088S | 51888S |
| 5118SPR | 52408S |
| 5213SPR | 52718SPR |
| 5218SPR | 53408SPR |
| 5258SPR | 53508F |
| 5428S | 54418S |
| 5628SPR | 55418S |
| 5658S | 56128S |
| 5711S | 77128S |
| 5813SPR | |

COLOR

Materials standard as noted for each part. Please check available colors listed for each product.

- BK** - Black
- BW** - Brown
- CL** - Clear
- GY** - Grey
- WH** - White

OPTIONS

Options vary by product. Please check available options listed for each product.

- Blank** - No Option
- FX** - Intumescent
- LIG** - Ligature Resistant
- PSA** - Pressure Sensitive Adhesive

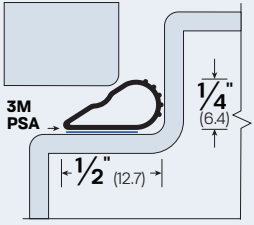
LENGTH

Please specify to nearest 12"



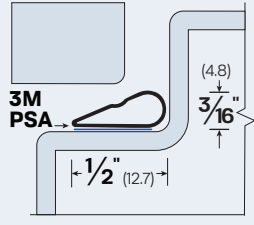
Silicone with Pressure Sensitive Adhesive (PSA)

#5881S



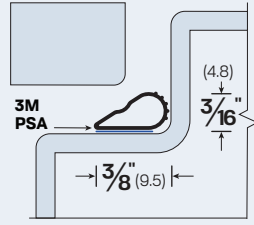
COLORS: BK, BW, CL, GY, WH
OPTIONS: FX, LIG

#5883S



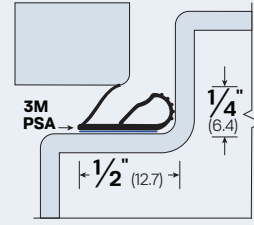
COLORS: BK, BW, CL, GY, WH
OPTIONS: FX, LIG

#5884S



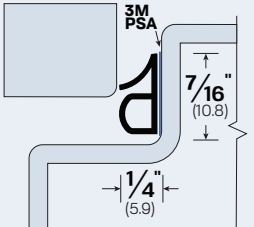
COLORS: BK, BW, CL, GY, WH
OPTIONS: FX, LIG

#55418S



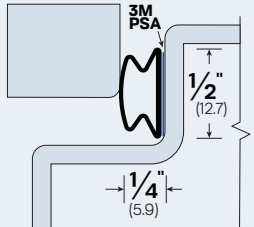
COLORS: BK, BW, WH
OPTIONS: FX

#5428S



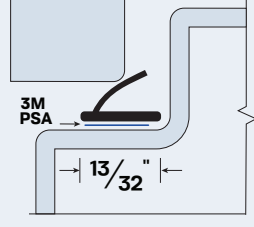
COLORS: BK, WH

#56128S



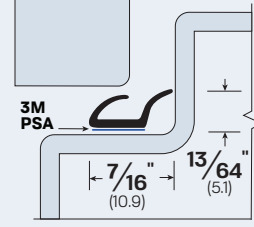
COLORS: BK, WH

#5711S



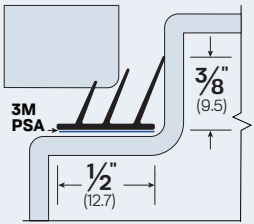
COLORS: BK, BW, CL, GY, WH
OPTIONS: LIG

#52408S



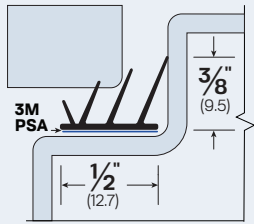
COLORS: BK, WH

#50517S



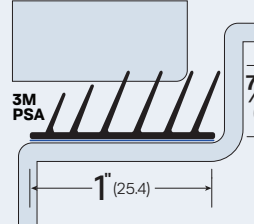
COLORS: BK, BW, CL

#50518S



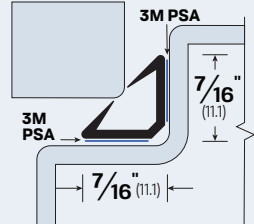
COLORS: BK, BW, CL

#50519S



COLORS: BK, BW, CL

#54418S



COLORS: BK, WH

| LEGACY | 5881S | 5883S | 5884S | 50517S | 50518S | 50519S |
|--------|---------|--------|---------|--------|----------|--------|
| NGP | 5050C | - | 2525C | 5075C | - | - |
| PEMKO | S88BL | PK55BL | PK33BL | S773BL | - | S776BL |
| ZERO | 188S-BK | - | 488S-BK | - | 8150S-BK | - |

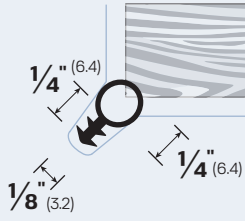
| LEGACY | 5428S | 54418S | 55418S | 56128S | 52408S | 5711S |
|--------|-------|----------|-------------|----------|----------|---------|
| NGP | - | 5020 | 2525Bx5040B | - | 5070C | 5040 |
| PEMKO | - | S442BL | - | - | - | S44 |
| ZERO | 824N | 8144S-BK | 8145S-BK | 8216S-BK | 8042S-BK | 117S-BK |



BK - Black Silicone
 BW - Brown Silicone
 GY - Grey Silicone
 WH - White Silicone
 BF - Brown Foam
 WF - White Foam
 SPR - Closed Cell Sponge Neoprene

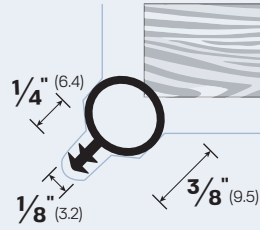
Kerf Gasketing Silicone except as noted.

#1S



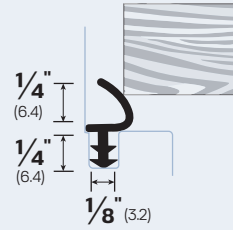
COLORS: BK, BW, GY, WH

#2S



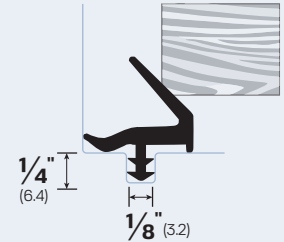
COLORS: BK, BW, GY, WH

#3S



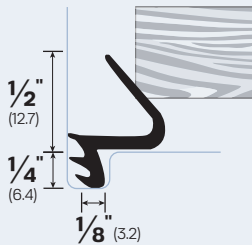
COLORS: BK, BW, WH

#4S



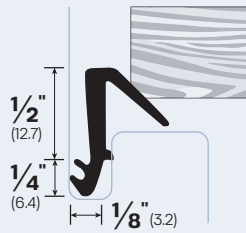
COLORS: BK, BW, WH

#5S



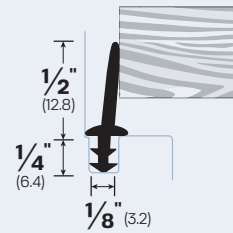
COLORS: BK, BW, WH

#6S



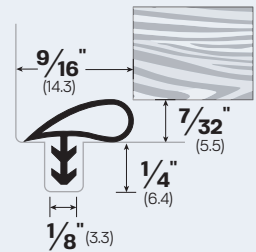
COLORS: BK, BW, WH

#7S



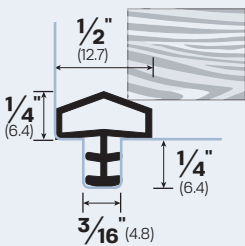
COLORS: BK, BW, WH

#5088S



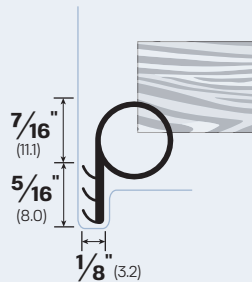
COLORS: BK, BW, WH

#50188S



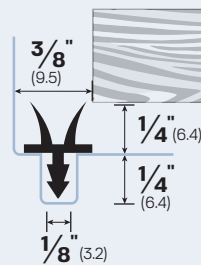
COLORS: BK, BW, WH

#5658S



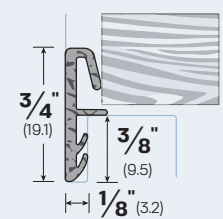
COLORS: BK, WH

#5848S



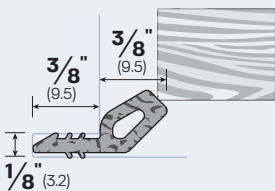
COLORS: BK

#53408SPR



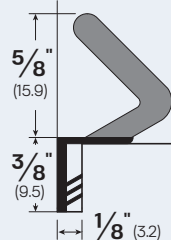
COLORS: BK
MATERIAL: Sponge Neoprene

#5258SPR



COLORS: BK
MATERIAL: Sponge Neoprene

#53508F



COLORS: BW
MATERIAL: Foam
NOTES: Available in 85" Rolls

| LEGACY | 1S | 2S | 3S | 4S | 5S | 6S | 7S |
|--------|----------|----------|-------|----|-------|-------|----|
| NGP | - | - | - | - | - | - | - |
| PEMKO | S104D100 | S105D100 | - | - | - | - | - |
| ZERO | 8054S-BK | 8055S-BK | 8004N | - | 8841R | 8043N | - |

| LEGACY | 5088S | 51888S | 5658S | 5848S | 5348S | 5258S | 53508F |
|--------|----------|----------|-------|----------|-------|-------|--------|
| NGP | - | - | - | - | - | - | 284Q |
| PEMKO | - | - | - | - | - | - | Q106 |
| ZERO | 8800S-BK | 8810S-BK | 8056Y | 8048S-BK | 8043N | 8052N | 8053Q |

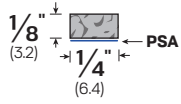
Self-Adhesive Gasketing

Sponge Rubber (SPR)

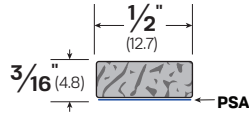
NOTES:

- SPR is black Neoprene.
- Pressure Sensitive Adhesive (PSA) standard

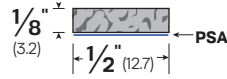
#52718SPR



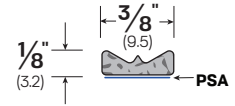
#5213SPR



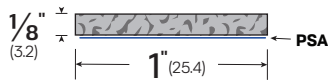
#50778SPR



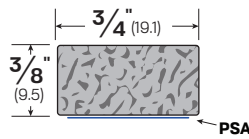
#5628SPR



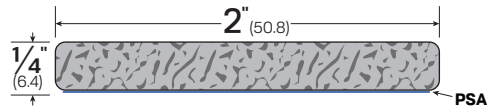
#50878SPR



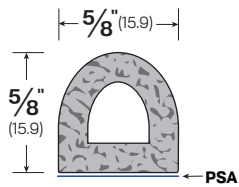
#5813SPR



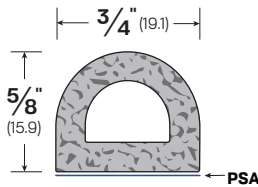
#5814SPR



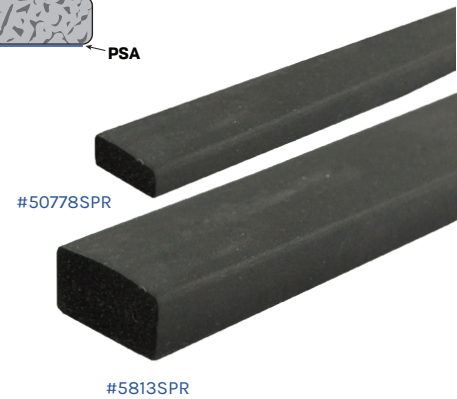
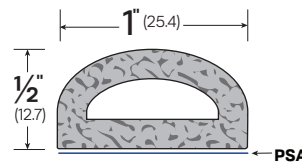
#5018SPR



#5118SPR

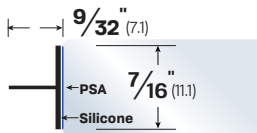


#5218SPR



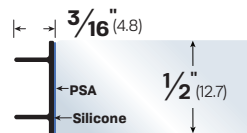
Silicone Gasketing (S)

#7177S



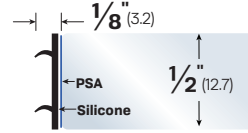
COLORS: BK, CL

#7277S



COLORS: BK, CL

#77128S

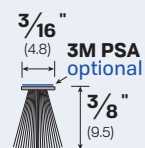


COLORS: BK, WH



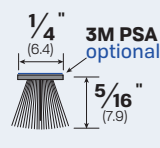
Pile Brush

#413PB



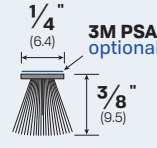
COLORS: GY
 OPTIONS: PSA

#423PB



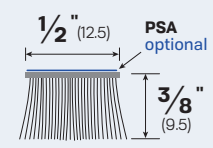
COLORS: GY, BK
 OPTIONS: PSA

#443PB



COLORS: GY, BK
 OPTIONS: PSA

#42PB



COLORS: BK, WH
 OPTIONS: PSA

#42PB-BK

How To Order: Perimeter Seals

Example #5077CA-FX-36

Easy Ways To Order
Email

Orders@LegacyLLC.com

Phone

 Local: +1 (718) 292-5333
 Toll Free: +1 (888) 383-3330

Fax

+1 (888) 383-3330

PART NUMBER & FINISH - OPTIONS - LENGTH
5077
CA
FX
36
PART #

| | |
|---------|-----------|
| 501 | 5378 |
| 513 | 5413 |
| 523 | 5552 |
| 533 | 5555 |
| 589 | 5574 |
| 599 | 5583 |
| 5001 | 5584 |
| 5041 | 5623 |
| 5071 | 5823SPB |
| 5072 | 5823 |
| 5074 | 5873 |
| 5075 | 5874 |
| 5077SPB | 5903 |
| 5077 | 5924 |
| 5078SPB | 5924L-EXT |
| 5078 | 5974 |
| 5175 | 50777 |
| 5178 | 51888 |
| 5203-FX | 52888 |
| 5217 | 53038 |
| 5272 | 59150 |
| 5274 | |

FINISH / MATERIAL

Perimeter seals are available in Aluminum and Steel in various options. Please check available finishes listed for each product.

- CA** - Clear Anodized Aluminum
- BR** - Architectural Bronze
- DB** - Dark Bronze Anodized Aluminum
- MA** - Mill Aluminum
- MB** - Matte Black Powder Coat
- SP** - Grey Steel Prime
- SS** - Stainless Steel
- WP** - White Powder Coat

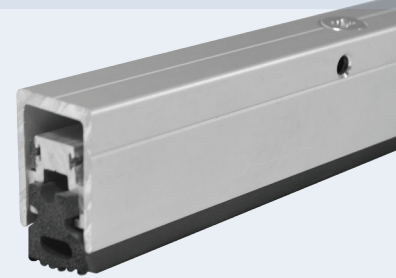
OPTIONS

Options vary by product. Please check available options listed for each product.

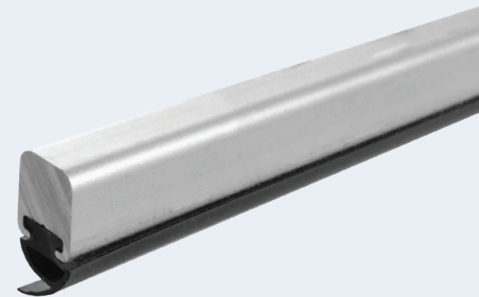
- | | |
|---|--|
| Blank - No Option | PB-BK - Black Pile Brush |
| EMI/RFI - Electromagnetic/Radio Frequency Interference | PB-GY - Grey Pile Brush |
| FL - Fire Label | POL - Polished Bronze |
| FOAM - Foam Insert | PSA - Pressure Sensitive Adhesive |
| FX - Intumescent | RS - Access Control Ribbon Switch |
| LIG - Ligature Resistant | S-WH - White Silicone |
| | SF - Security Fasteners |

LENGTH

Please specify to nearest 1/16"



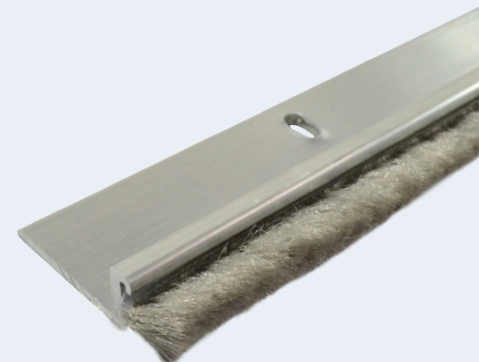
#5071CA



#513CA

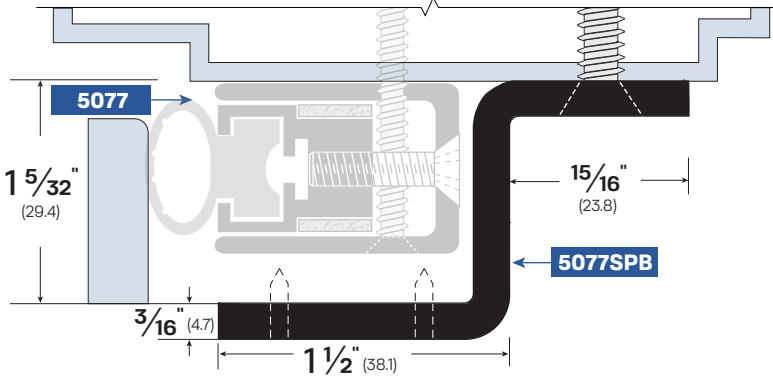


#5874CA



#589MA

#5077SPB



FINISHES: SP

OPTIONS: FL - Fire Label

NOTES:

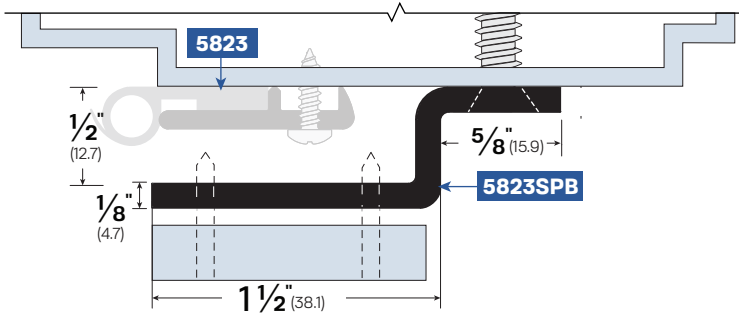
- Closer Bracket Plate
- To be used with 5071, 5077 or parts of similar size.
- Standard length is 6"
- Specify other length if needed.



#5077SPB-SP

| LEGACY | NGP | PEMKO | ZERO |
|----------------|-----|-------|--------|
| 5077SPB | 3SP | - | 770SPB |

#5823SPB



FINISHES: SP

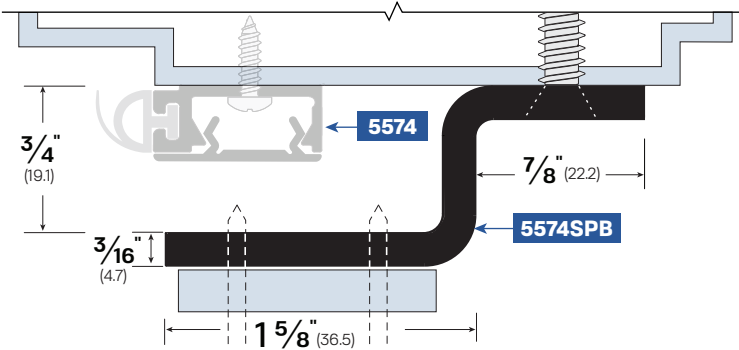
OPTIONS: FL - Fire Label

NOTES:

- Closer Bracket Plate
- To be used with 5071, 5077 or parts of similar size
- Standard length is 6"
- Specify other length if needed.

| LEGACY | NGP | PEMKO | ZERO |
|----------------|-----|-------|--------|
| 5823SPB | - | - | 328SPB |

#5078SPB



FINISHES: SP

OPTIONS: FL - Fire Label

NOTES:

- Closer Bracket Plate
- To be used with 5574, 5075, 5078 or parts of similar size
- Standard length is 6"
- Specify other length if needed.

| LEGACY | NGP | PEMKO | ZERO |
|----------------|-----|-------|--------|
| 5078SPB | 7SP | - | 870SPB |

Perimeter Seals



#5077SPB installed at the door strike.



#5823SPB installed at the top of door.

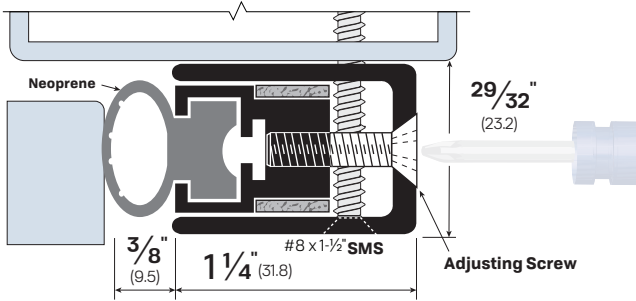
Adjustable Seals

These systems provide adjustability that helps compensate for gaps due to imperfect door alignment at installation, or resulting from temperature and humidity changes, in order to optimize sealing performance. Adjustments are made simply with a few turns of a screwdriver.



#5077CA Installed on head of frame.

#5077



FINISHES: CA, DB, MB, WP

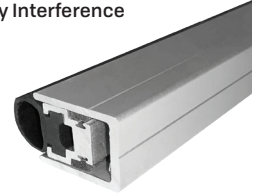
OPTIONS: FL - Fire Label

EMI/RFI - Electromagnetic/Radio Frequency Interference

NOTES:

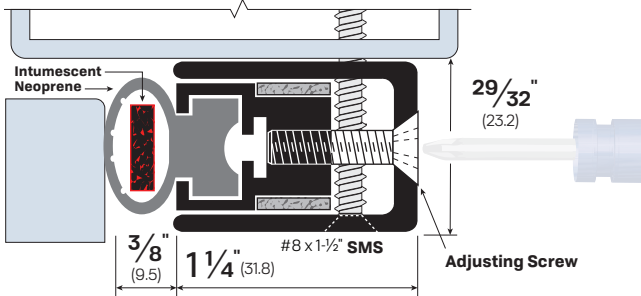
- Used with a cased open frame
- Replacement neoprene - Part #4077N

| LEGACY | NGP | PEMKO | ZERO |
|-------------|-------|-------|-------|
| 5077 | 1038N | 319N | 770AA |



#5077CA

#5077-FX



FINISHES: CA, DB, MB, WP, SP, SS

OPTIONS: FX - Intumescent for Fire/Acoustical applications

NOTES:

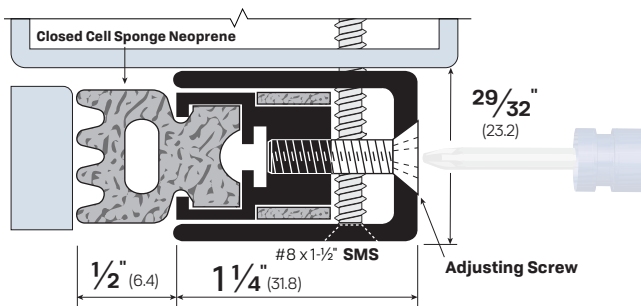
- Used with a cased open frame
- Replacement FX - Part #13312
- Replacement neoprene - Part #4077N

| LEGACY | NGP | PEMKO | ZERO |
|----------------|-----|-------|-------|
| 5077-FX | - | - | 770FS |



#5077CA-FX

#5071



FINISHES: CA, DB, MB, WP, SP, SS

NOTES:

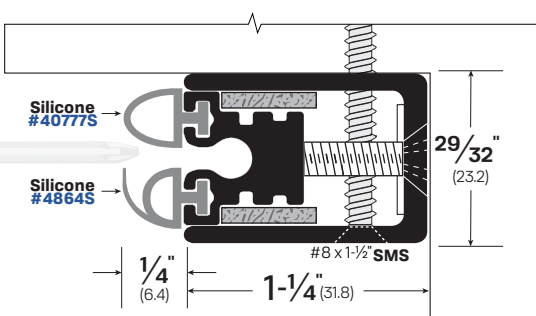
- Used with a cased open frame
- Replacement closed cell sponge neoprene - Part #4363SPR

| LEGACY | NGP | PEMKO | ZERO |
|-------------|------|--------|-------|
| 5071 | 103N | 350CSR | 170AA |



#5071CA

#50777



FINISHES: CA, DB, MB, WP, SP, SS

NOTES:

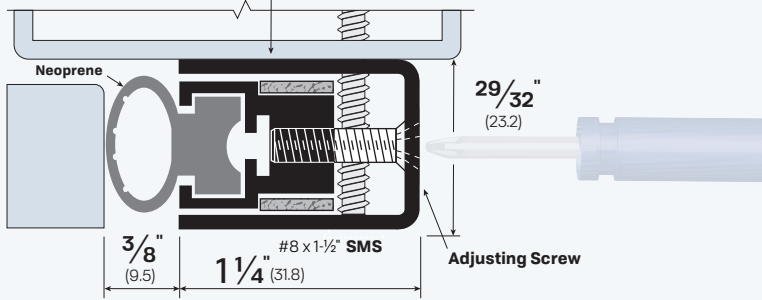
- Replacement closed cell sponge neoprene - Part #4363SPR
- Replacement silicone - Part #40777S Available in Black (-BK) and White (-WH)
- Replacement silicone - Part #4684S Available in Black (-BK) and White (-WH)
- Adjustable range is up to 5/16" (7.9)

| LEGACY | NGP | PEMKO | ZERO |
|--------------|-----|-------|--------|
| 50777 | - | - | 7770AA |

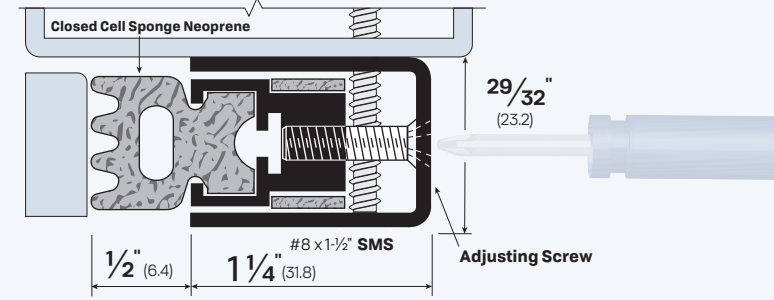
Perimeter Seals

Stainless Steel

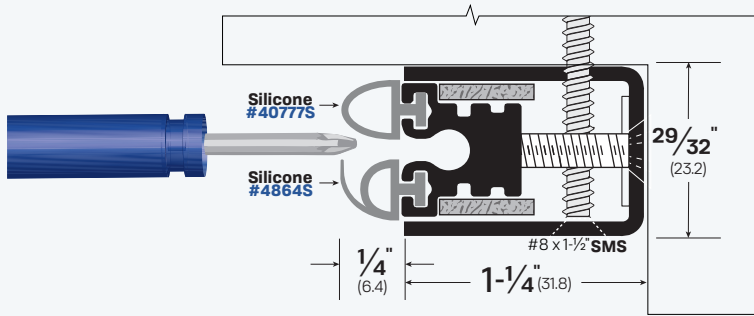
#5077SS



#5071SS



#50777SS

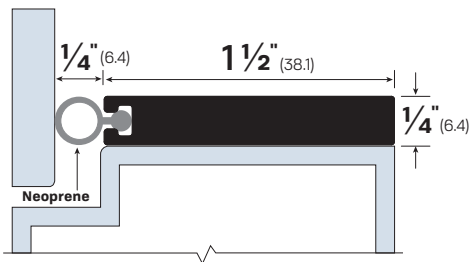


FINISHES: SP, SS

| LEGACY | 5077SS | 5071SS | 50777SS |
|--------|-------------|-------------|---------------|
| NGP | - | - | - |
| PEMKO | - | - | - |
| ZERO | 770SS/770SP | 170SS/170SP | 7770SS/7770SP |

Perimeter Seals

#5924



FINISHES: MA, MB, WP

OPTIONS:

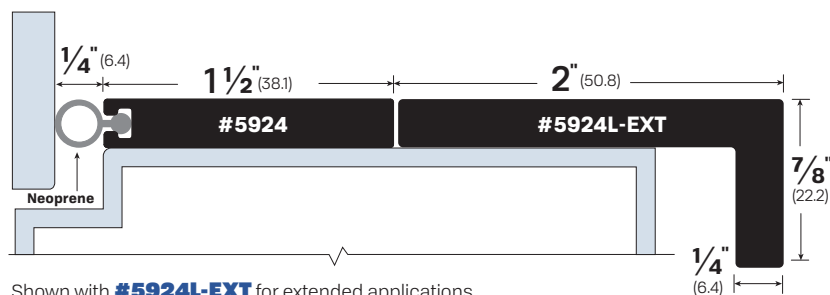
- FL - Fire Label
- LIG - Ligature Resistant

NOTES:

- Allows mounting door closer or rim exit device strikes without notching or other breaks in seal.
- Replacement neoprene - Part #4338N

| LEGACY | NGP | PEMKO | ZERO |
|-------------|------|--------|-------|
| 5924 | 700N | 2891AS | 429AA |

#5924L-EXT



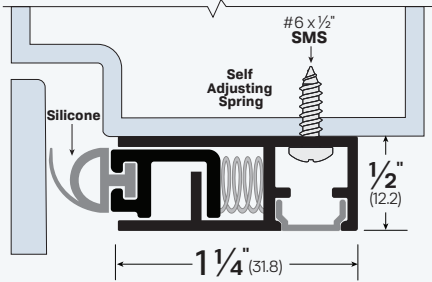
Shown with #5924L-EXT for extended applications



#5077 installed in conjunction with #5077SPB.

#501 (Patent Pending)

Developed in response to customer demand, this unique design innovation eliminates the trade-off between functionality and aesthetics in mechanically fastened adjustable gasketing. The mounting screw is concealed inside a housing for a clean, uninterrupted surface along the perimeter seal. Available only from Legacy.



FINISHES: CA, DB

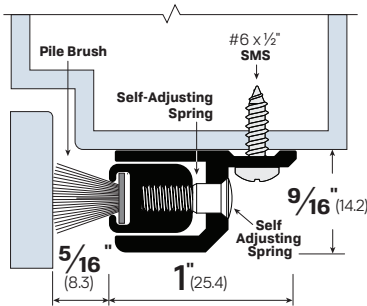
OPTIONS:

- LIG** - Ligature Resistant
- S-WH** - White Silicone
- SF** - Security Fasteners

NOTES: Self-adjusting perimeter seal with concealed screws.

| LEGACY | NGP | PEMKO | ZERO |
|--------|-----|-------|------|
| 501 | - | - | - |

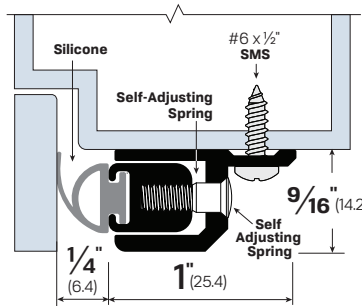
#5552



FINISHES: CA, DB, MB, WP

| LEGACY | NGP | PEMKO | ZERO |
|--------|-----|-------|-------|
| 5552 | 140 | 351CP | 255AA |

#5217



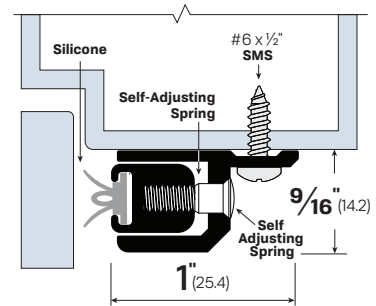
FINISHES: CA, DB, MB, WP

OPTIONS:

- LIG** - Ligature Resistant
- S-WH** - White Silicone

| LEGACY | NGP | PEMKO | ZERO |
|--------|------|-------|-------|
| 5217 | 141N | - | 712AA |

#5555



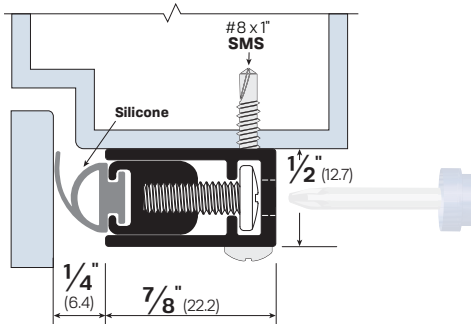
FINISHES: CA, DB, MB, WP

OPTIONS:

- LIG** - Ligature Resistant
- S-WH** - White Silicone

| LEGACY | NGP | PEMKO | ZERO |
|--------|------|-------|-------|
| 5555 | 140S | - | 555AA |

#5078



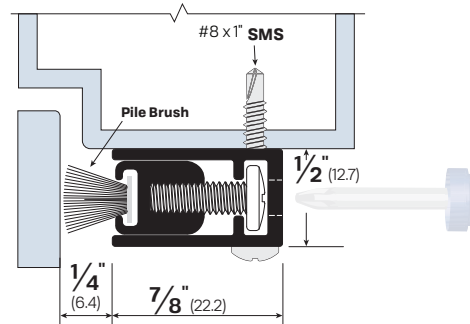
FINISHES: CA, DB, MB, WP

OPTIONS:

- LIG** - Ligature Resistant
- S-WH** - White Silicone
- FL** - Fire Label

| LEGACY | NGP | PEMKO | ZERO |
|--------|------|-------|-------|
| 5078 | 106N | 379AR | 870AA |

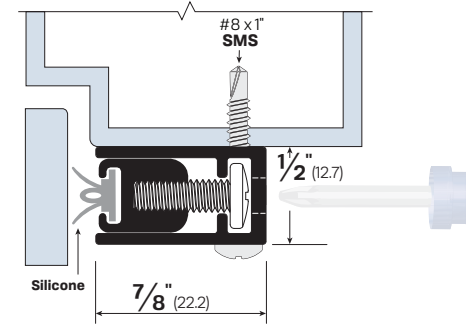
#5178



FINISHES: CA, DB, MB, WP

| LEGACY | NGP | PEMKO | ZERO |
|--------|------|-------|-------|
| 5178 | 140P | 351CP | 871AA |

#5378



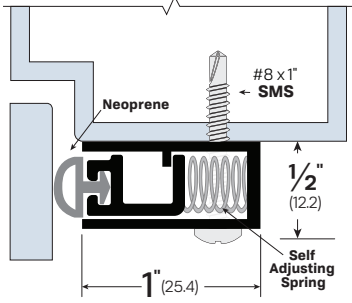
FINISHES: CA, DB, MB, WP

OPTIONS:

- LIG** - Ligature Resistant
- S-WH** - White Silicone

| LEGACY | NGP | PEMKO | ZERO |
|--------|------|-------|-------|
| 5378 | 1405 | - | 873AA |

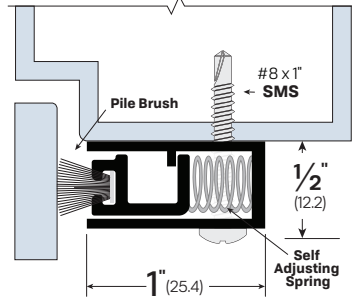
#5075



FINISHES: CA, MB, WP

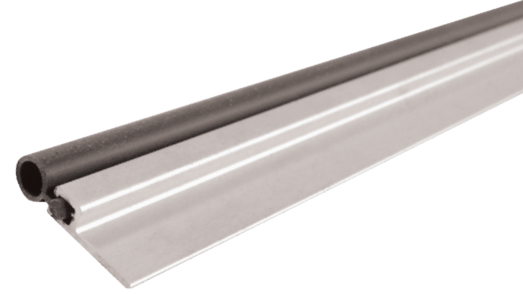
| LEGACY | NGP | PEMKO | ZERO |
|--------|------|-------|-------|
| 5075 | 141N | 379AR | 570AA |

#5175

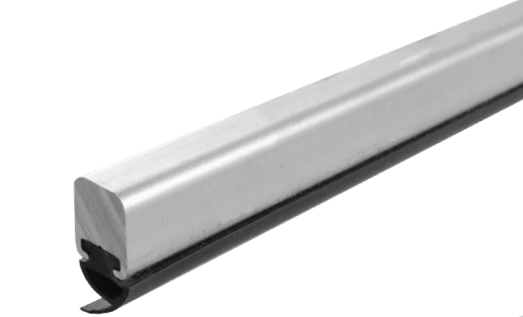


FINISHES: CA, MB, WP

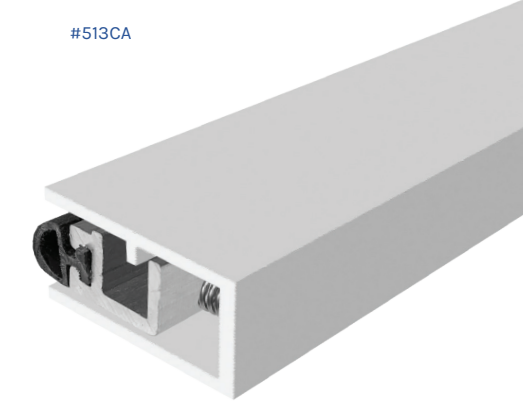
| LEGACY | NGP | PEMKO | ZERO |
|--------|------|-------|-------|
| 5175 | 141P | - | 571AA |



#53038CA

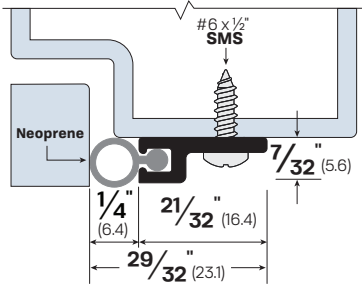


#513CA



#5075CA

#53038

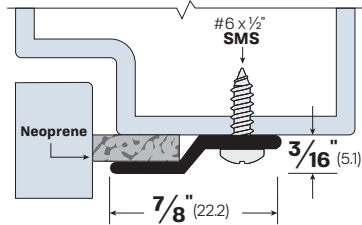


FINISHES: CA, MB, WP

OPTIONS: FL - Fire Label

| LEGACY | NGP | PEMKO | ZERO |
|--------|------|--------|--------|
| 53038 | 135N | 303PIC | 8303AA |

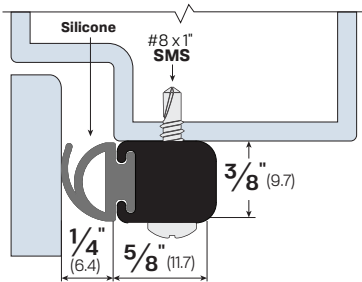
#59150



FINISHES: MA, MB, WP

| LEGACY | NGP | PEMKO | ZERO |
|--------|-----|-------|------|
| 59150 | - | - | - |

#513



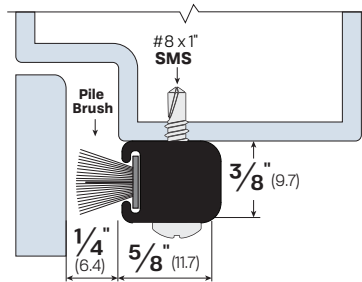
FINISHES: CA, MB, WP

OPTIONS:

LIG - Ligature Resistant S-WH - White Silicone
FL - Fire Label

| LEGACY | NGP | PEMKO | ZERO |
|--------|-----|-------|------|
| 513 | 2N | 300CP | 31AA |

#523



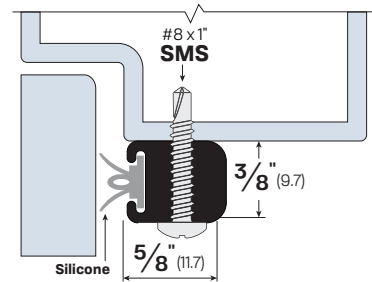
FINISHES: CA, MB, WP

OPTIONS:

PB-BK - Black Pile Brush PB-GY - Grey Pile Brush

| LEGACY | NGP | PEMKO | ZERO |
|--------|-----|-------|------|
| 523 | 2P | 300CP | 32AA |

#533



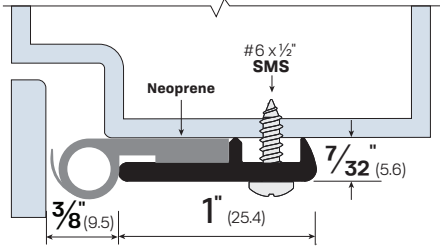
FINISHES: CA, MB, WP

OPTIONS: S-WH - White Silicone

| LEGACY | NGP | PEMKO | ZERO |
|--------|-----|-------|------|
| 533 | 2S | - | 33AA |

Perimeter Seals

#5623  



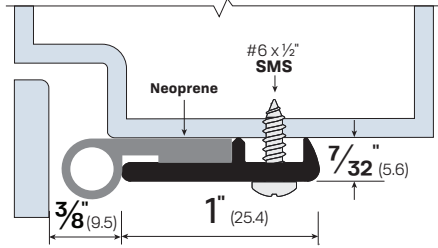
FINISHES: BR, CA, DB, MB, WP

OPTIONS:

LIG - Ligature Resistant **POL** - Polished Bronze
FL - Fire Label

| LEGACY | NGP | PEMKO | ZERO |
|-------------|------|-------|-------|
| 5623 | 137N | 319N | 326AA |

#5823  



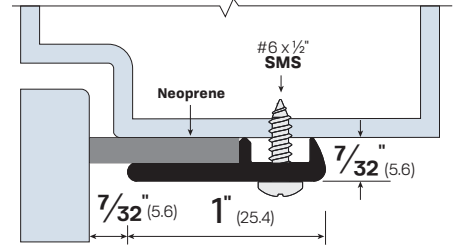
FINISHES: BR, CA, DB, MB, WP

OPTIONS:

LIG - Ligature Resistant **POL** - Polished Bronze
FL - Fire Label

| LEGACY | NGP | PEMKO | ZERO |
|-------------|------|-------|-------|
| 5823 | 137N | 319N | 328AA |

#5413 



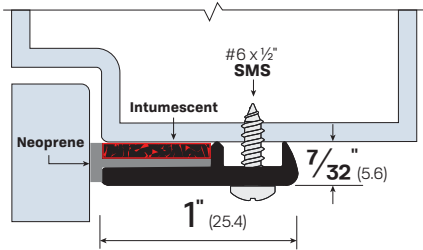
FINISHES: BR, CA, DB, MB, WP

OPTIONS:

LIG - Ligature Resistant **POL** - Polished Bronze
FL - Fire Label

| LEGACY | NGP | PEMKO | ZERO |
|-------------|------|-------|-------|
| 5413 | 134N | 319AR | 314AA |

#5203-FX



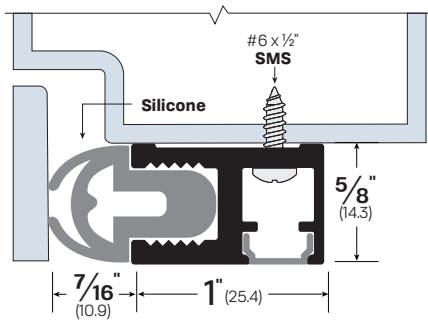
FINISHES: BR, CA, DB, MB, WP

OPTIONS:

LIG - Ligature Resistant **POL** - Polished Bronze
FX - Intumescent

| LEGACY | NGP | PEMKO | ZERO |
|----------------|-----|-------|-------|
| 5203-FX | - | - | 302FS |

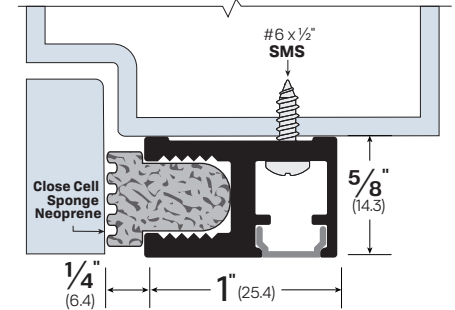
#51888



FINISHES: CA, MB, WP

| LEGACY | NGP | PEMKO | ZERO |
|--------------|-----|-------|------|
| 51888 | - | - | - |

#52888



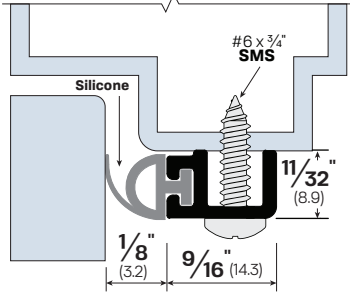
FINISHES: CA, MB, WP

| LEGACY | NGP | PEMKO | ZERO |
|--------------|-----|-------|------|
| 52888 | - | - | - |



Adjustable gasketing applied to the frame on a pair of conference room doors.

#5584



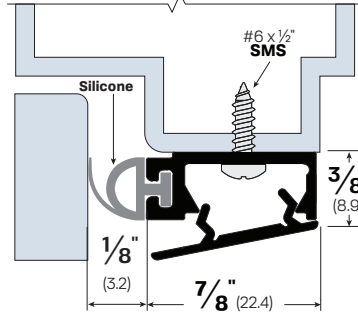
FINISHES: MA, DB, MB, WP

OPTIONS:

LIG - Ligature Resistant **FL** - Fire Label
NIT - Nitrile Extrusion

| LEGACY | NGP | PEMKO | ZERO |
|-------------|------|-------|------|
| 5584 | 152S | 312AR | 485A |

#5574



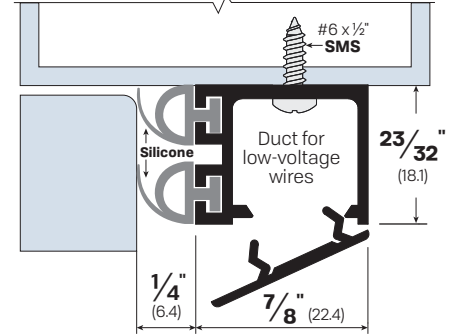
FINISHES: CA, DB, MB, WP

OPTIONS:

LIG - Ligature Resistant **FL** - Fire Label
S-WH - White Silicone **NIT** - Nitrile Extrusion

| LEGACY | NGP | PEMKO | ZERO |
|-------------|------|----------|-------|
| 5574 | 172N | 29321-TF | 475AA |

#5874



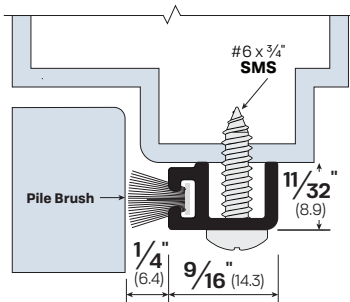
FINISHES: CA

OPTIONS:

FL - Fire Label **S-WH** - White Silicone

| LEGACY | NGP | PEMKO | ZERO |
|-------------|-----|-------|-------|
| 5874 | - | - | 478AA |

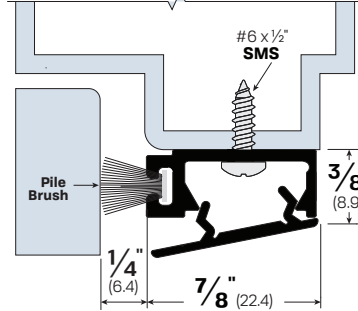
#5583



FINISHES: MA, DB, MB, WP

| LEGACY | NGP | PEMKO | ZERO |
|-------------|-----|-------|------|
| 5583 | - | - | - |

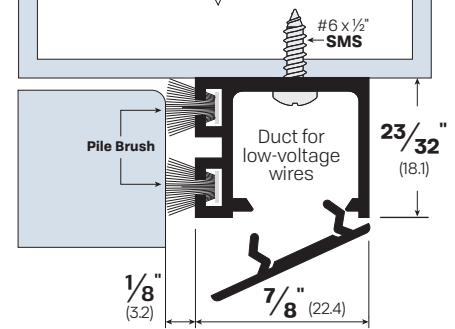
#5974



FINISHES: CA, DB, MB, WP

| LEGACY | NGP | PEMKO | ZERO |
|-------------|-----|-------|------|
| 5974 | - | - | - |

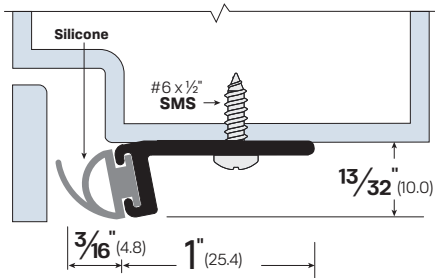
#5873



FINISHES: CA

| LEGACY | NGP | PEMKO | ZERO |
|-------------|-----|-------|------|
| 5873 | - | - | - |

#599



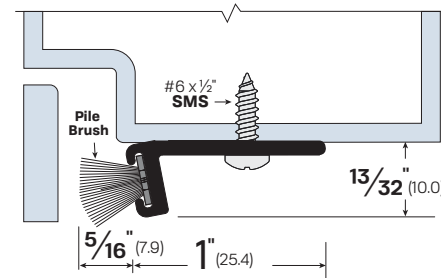
FINISHES: MA, DB, MB, WP

OPTIONS:

LIG - Ligature Resistant **S-WH** - White Silicone

| LEGACY | NGP | PEMKO | ZERO |
|------------|------|-------|------|
| 599 | 161N | - | 99A |

#589



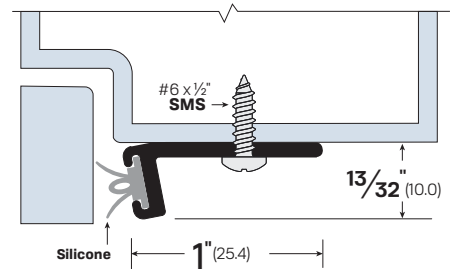
FINISHES: MA, DB, MB, WP

OPTIONS:

PB-GY - Grey Pile Brush **PB-BK** - Black Pile Brush

| LEGACY | NGP | PEMKO | ZERO |
|------------|------|-------|------|
| 589 | 161P | - | 98A |

#5001



FINISHES: MA, DB, MB, WP

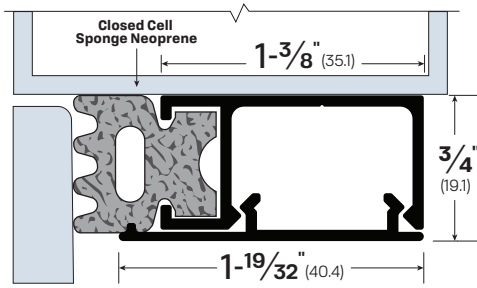
OPTIONS:

LIG - Ligature Resistant **S-WH** - White Silicone

| LEGACY | NGP | PEMKO | ZERO |
|-------------|-----|-------|------|
| 5001 | - | - | 100A |

Perimeter Seals

#5074



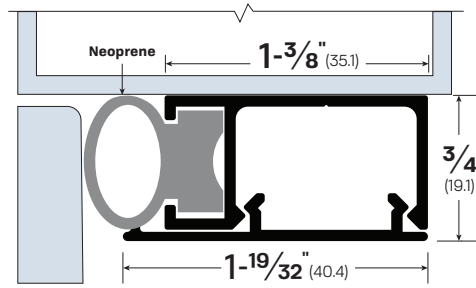
FINISHES: MA, MB, WP

OPTIONS:

FOAM - Foam **LIG** - Ligature Resistant

| LEGACY | NGP | PEMKO | ZERO |
|--------|-----|-------|-------|
| 5074 | - | - | 470AA |

#5274

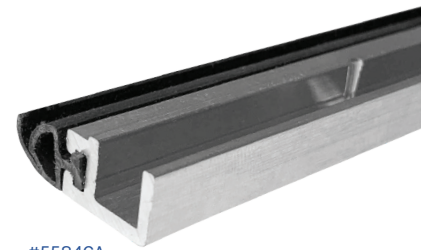


FINISHES: MA, MB, WP

OPTIONS:

FOAM - Foam **FX** - Intumescent

| LEGACY | NGP | PEMKO | ZERO |
|--------|-----|-------|-------|
| 5274 | - | - | 472AA |

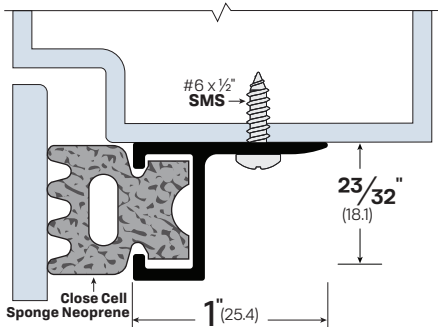


#5584CA



#5072CA

#5072

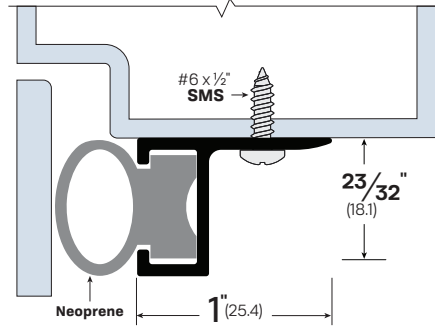


FINISHES: MA, DB, MB, WP

OPTIONS: **LIG** - Ligature Resistant

| LEGACY | NGP | PEMKO | ZERO |
|--------|------|-------|------|
| 5072 | 108N | 285 | 270A |

#5272

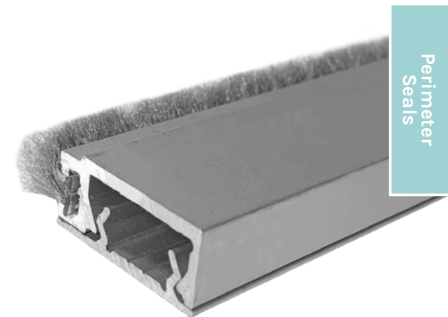


FINISHES: MA, DB, MB, WP

OPTIONS:

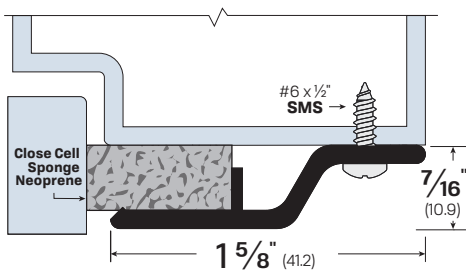
FX - Intumescent **RS** - Ribbon Switch

| LEGACY | NGP | PEMKO | ZERO |
|--------|-----|-------|------|
| 5272 | - | - | 272A |



#5041CA-FX

#5041

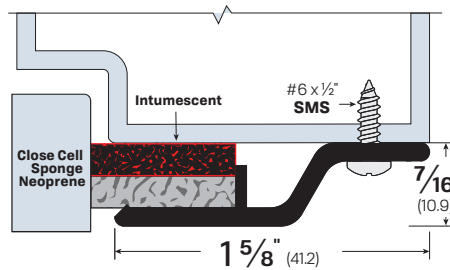


FINISHES: CA, DB

OPTIONS: **FL** - Fire Label

| LEGACY | NGP | PEMKO | ZERO |
|--------|------|-------|------|
| 5041 | 122N | 375AR | 140A |

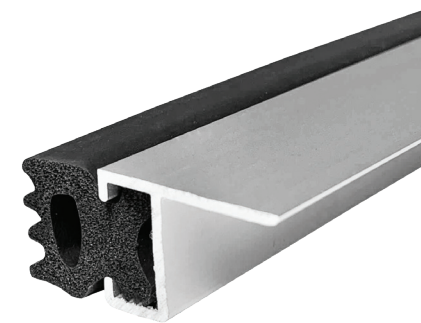
#5041-FX



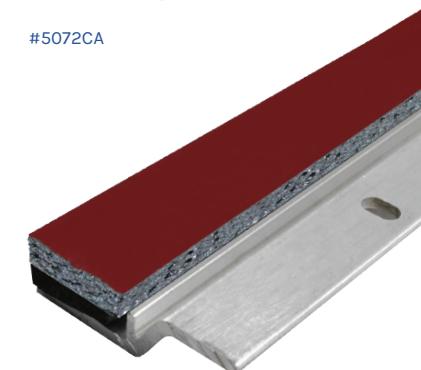
FINISHES: CA, DB

OPTIONS: **FX** - Intumescent

| LEGACY | NGP | PEMKO | ZERO |
|---------|-----|-------|-------|
| 5041-FX | - | - | 140FS |



#5072CA



#5041CA-FX

How To Order: Meeting Stiles / Astragals

Example #7383CA-84-TX

Easy Ways To Order

Email

Orders@LegacyLLC.com

Phone

Local: +1 (718) 292-5333
Toll Free: +1 (888) 383-3330

Fax

+1 (888) 383-3330

PART NUMBER & FINISH - LENGTH - OPTIONS

7383

CA

84

PART #

BOTH DOORS ACTIVE

- 413PB
- 789
- 799
- 7001
- 7075
- 7078
- 7178
- 7275
- 7378
- 7552
- 7574
- 7583
- 7623
- 7823
- 7974
- 72918
- 73918
- 74918

ONE ACTIVE DOOR

- 714 7331
- 715 7383
- 733 7431
- 734 7483
- 735 7531
- 743 7631
- 744 7731
- 763 7831
- 774 7893
- 795 7933
- 7041 70481
- 7177S 77128S
- 7277S 77319

NOTES: Both Doors Active:
Order quantity must be 2, one for each leaf of the opening.

FINISH

Finishes vary by product. Please check available finishes listed for each product.

- CA** - Clear Anodized Aluminum
- DB** - Dark Bronze Anodized Aluminum
- MA** - Mill Aluminum
- MB** - Matte Black Powder Coat
- SP** - Steel Prime
- WP** - White Powder Coat

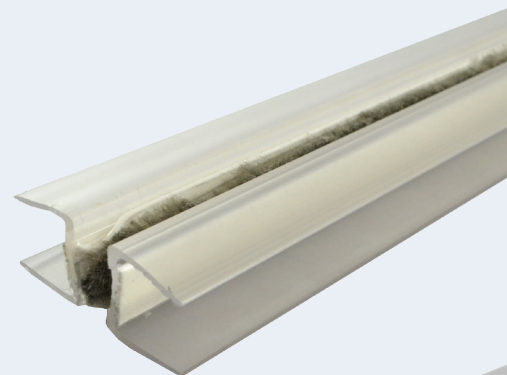
LENGTH

Please specify to nearest 1/16"

OPTIONS

Options vary by product. Please check available options listed for each product.

- Blank** - No Option
- FL** - Fire Label
- LIG** - Ligature Resistant
- NH** - No Holes
- POL** - Polished Bronze
- PSA** - Pressure Sensitive Adhesive
- SF** - Security Fasteners
- SLC** - Strike Lip Cut
- S-WH** - White Silicone



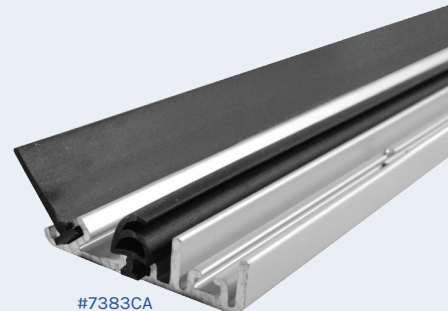
#7531
#7731



PAIR OF
#74918CA



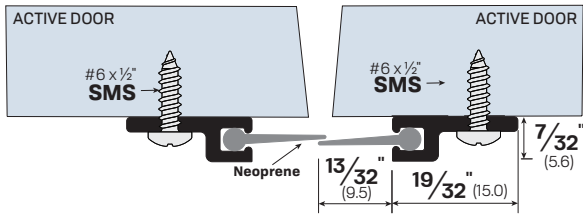
#735MA



#7383CA

#74918

#74918



FINISHES: CA, DB, MB, WP

OPTIONS:

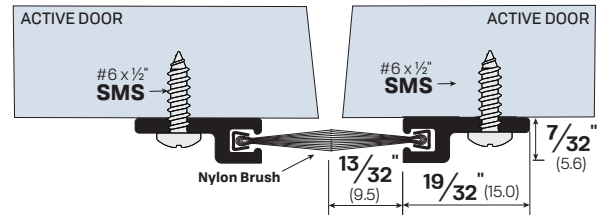
FL - Fire Label **LIG** - Ligature Resistant

PSA - Pressure Sensitive Adhesive

| LEGACY | NGP | PEMKO | ZERO |
|--------------|------|--------|--------|
| 74918 | 115N | 308CPK | 8194AA |

#73918

#73918



FINISHES: CA, DB, MB, WP

OPTIONS:

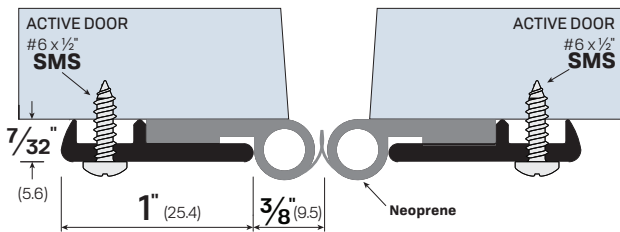
PSA - Pressure Sensitive Adhesive

| LEGACY | NGP | PEMKO | ZERO |
|--------------|------|----------|--------|
| 73918 | A605 | 18041CNB | 8193AA |



#7623

#7623



FINISHES: BR, CA, DB, MB, WP

OPTIONS:

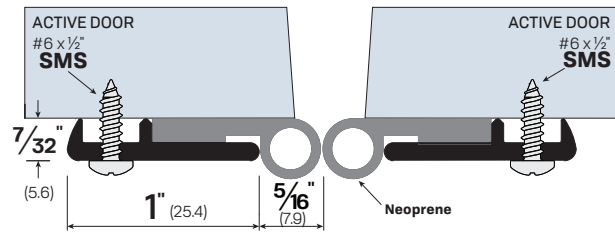
FL - Fire Label **LIG** - Ligature Resistant

POL - Polished Bronze

| LEGACY | NGP | PEMKO | ZERO |
|-------------|------|-------|-------|
| 7623 | 137N | 319N | 326AA |

#7823

#7823



FINISHES: BR, CA, DB, MB, WP

OPTIONS:

FL - Fire Label **LIG** - Ligature Resistant

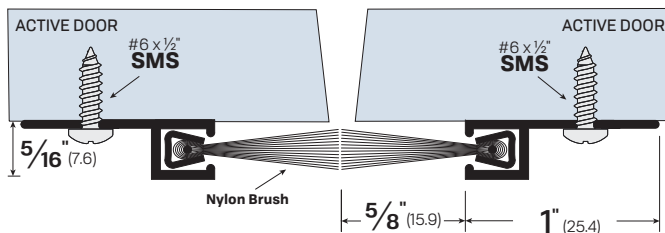
POL - Polished Bronze

| LEGACY | NGP | PEMKO | ZERO |
|-------------|------|-------|-------|
| 7823 | 137N | 319N | 328AA |

Meeting Stiles
 Astragals

#72918

#72918



FINISHES: CA, DB, MB, WP

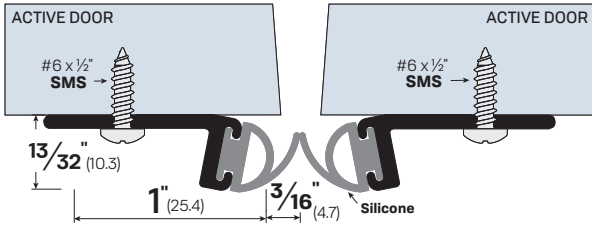
OPTIONS: **PSA** - Pressure Sensitive Adhesive

| LEGACY | NGP | PEMKO | ZERO |
|--------------|-------|----------|--------|
| 72918 | C607A | 18061CNB | 8192AA |



PAIR OF #74918

#799



FINISHES: MA, DB, MB, WP

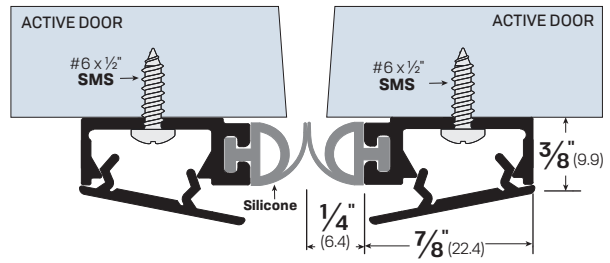
OPTIONS:

LIG - Ligature Resistant S-WH - White Silicone

| LEGACY | NGP | PEMKO | ZERO |
|--------|------|-------|------|
| 799 | 161N | 316AS | 99A |

#799

#7574



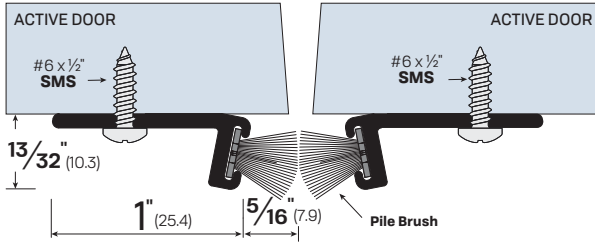
FINISHES: CA, DB, MB, WP

OPTIONS:

FL - Fire Label LIG - Ligature Resistant
S-WH - White Silicone

| LEGACY | NGP | PEMKO | ZERO |
|--------|------|----------|-------|
| 7574 | 172N | 29321-TF | 475AA |

#789

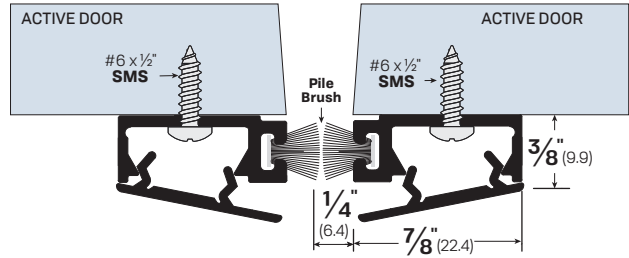


FINISHES: MA, DB, MB, WP

| LEGACY | NGP | PEMKO | ZERO |
|--------|------|-------|------|
| 789 | 161P | - | 98A |

#789

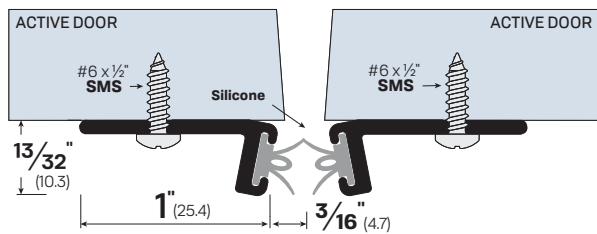
#7974



FINISHES: CA, DB, MB, WP

| LEGACY | NGP | PEMKO | ZERO |
|--------|-----|-------|------|
| 7974 | - | - | - |

#7001



FINISHES: MA, DB, MB, WP

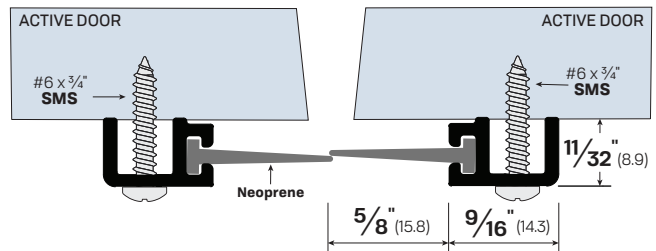
OPTIONS:

LIG - Ligature Resistant
S-WH - White Silicone

| LEGACY | NGP | PEMKO | ZERO |
|--------|------|-------|------|
| 7001 | 161S | - | 100A |

#7001

#7583



FINISHES: CA, DB, MB, WP

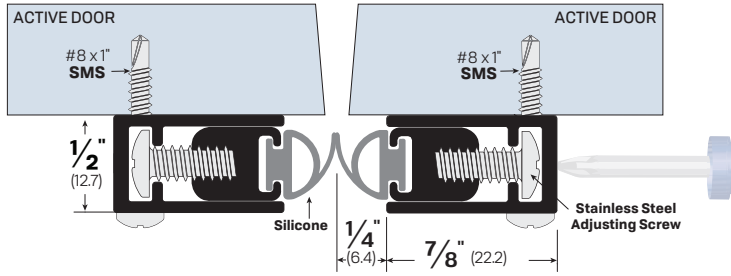
OPTIONS: PSA - Pressure Sensitive Adhesive

| LEGACY | NGP | PEMKO | ZERO |
|--------|-----|-------|------|
| 7583 | - | - | - |

#7583

Meeting Stiles
Astragals

#7078



FINISHES: CA, DB, MB, WP

OPTIONS:

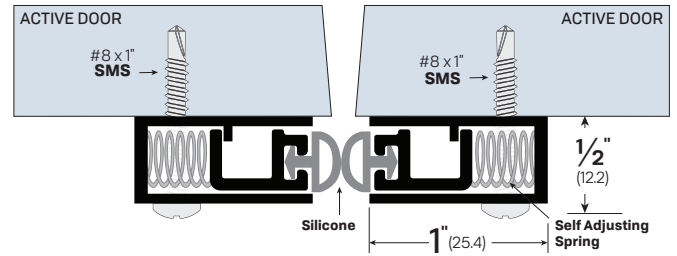
FL - Fire Label **LIG** - Ligature Resistant

S-WH - White Silicone

| LEGACY | NGP | PEMKO | ZERO |
|-------------|------|-------|-------|
| 7078 | 140N | 379AR | 870AA |

#7078

#7075



FINISHES: CA, MB, WP

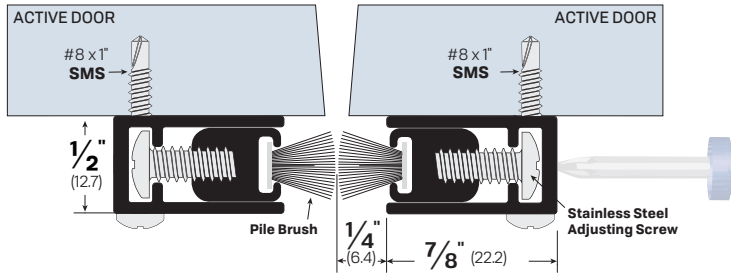
OPTIONS:

FL - Fire Label **LIG** - Ligature Resistant

S-WH - White Silicone

| LEGACY | NGP | PEMKO | ZERO |
|-------------|------|-------|-------|
| 7075 | 141N | 379AR | 570AA |

#7178

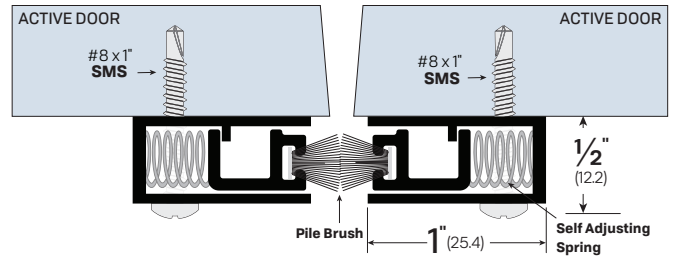


FINISHES: CA, MB, WP

| LEGACY | NGP | PEMKO | ZERO |
|-------------|------|-------|-------|
| 7178 | 140P | - | 871AA |

#7178

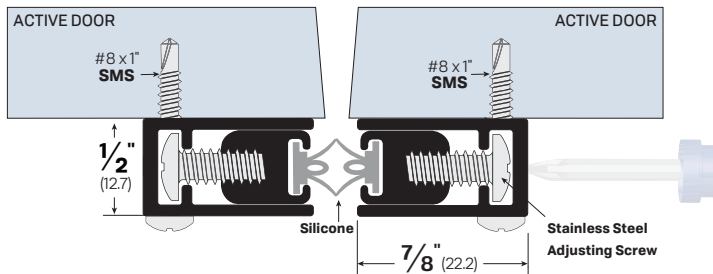
#7275



FINISHES: CA, MB, WP

| LEGACY | NGP | PEMKO | ZERO |
|-------------|-----|-------|------|
| 7275 | - | - | - |

#7378



FINISHES: CA, DB, MB, WP

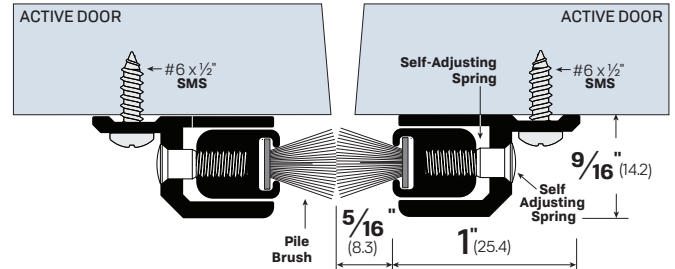
OPTIONS:

LIG - Ligature Resistant **S-WH** - White Silicone

| LEGACY | NGP | PEMKO | ZERO |
|-------------|------|-------|-------|
| 7378 | 140S | 351CS | 873AA |

#7378

#7552



FINISHES: CA, DB, MB, WP

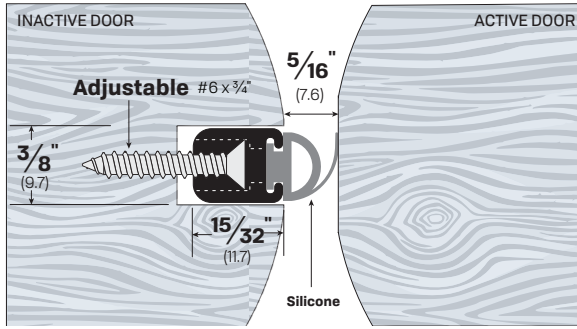
OPTIONS:

LIG - Ligature Resistant

| LEGACY | NGP | PEMKO | ZERO |
|-------------|------|-------|-------|
| 7552 | 140P | 351CP | 255AA |

Meeting Stiles
 Astragals

#763



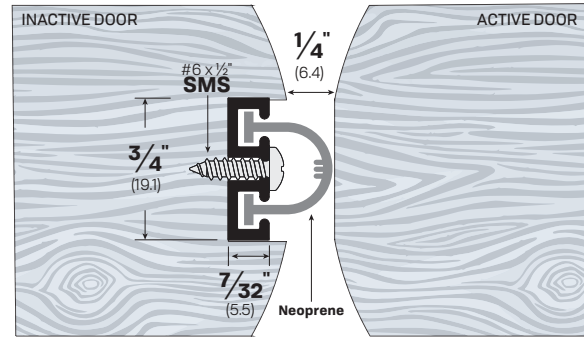
FINISHES: CA, DB, MB, WP

OPTIONS:

LIG - Ligature Resistant **S-WH** - White Silicone

| LEGACY | NGP | PEMKO | ZERO |
|------------|------|-------|------|
| 763 | 144S | 300CP | 36AA |

#735

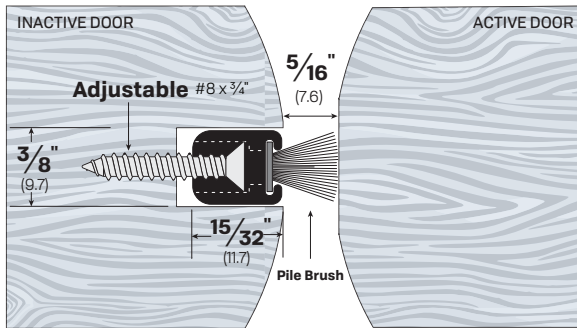


FINISHES: CA, DB, MB, WP

OPTIONS: **LIG** - Ligature Resistant

| LEGACY | NGP | PEMKO | ZERO |
|------------|------|-------|------|
| 735 | 116N | - | 53AA |

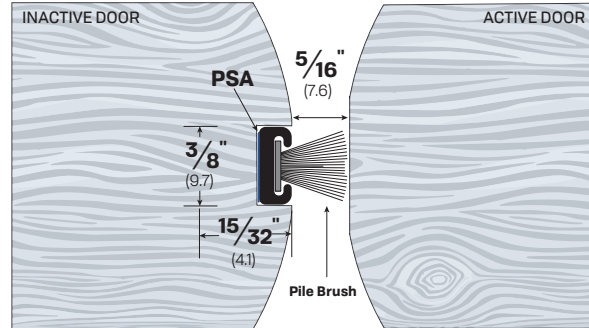
#743



FINISHES: CA, DB, MB, WP

| LEGACY | NGP | PEMKO | ZERO |
|------------|------|-------|------|
| 743 | 143P | - | 34AA |

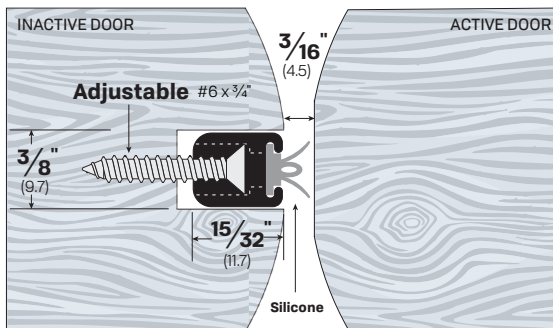
#7893



FINISHES: CA, MB, WP

| LEGACY | NGP | PEMKO | ZERO |
|-------------|------|-------|------|
| 7893 | 136P | A372P | 398V |

#733



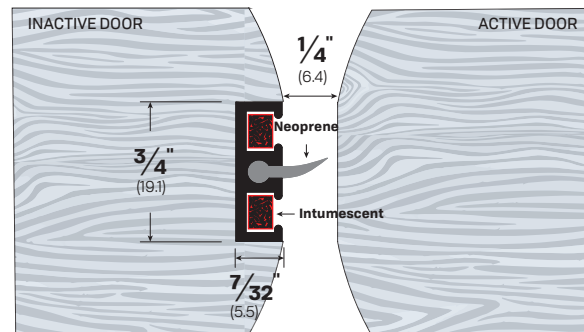
FINISHES: CA, DB, MB, WP

OPTIONS:

LIG - Ligature Resistant **S-WH** - White Silicone

| LEGACY | NGP | PEMKO | ZERO |
|------------|-----|-------|------|
| 733 | 2S | - | 33AA |

#795-FX



FINISHES: CA, DB, MB, WP

OPTIONS: **FX** - Intumescent

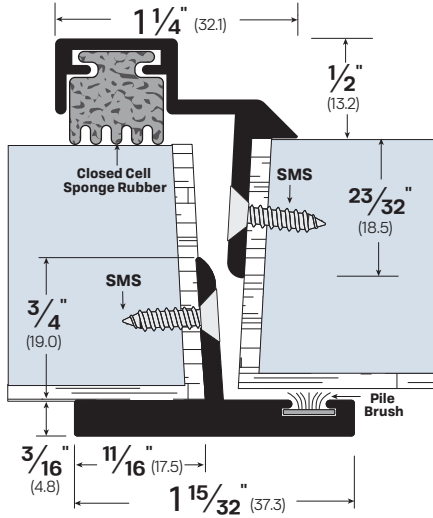
| LEGACY | NGP | PEMKO | ZERO |
|---------------|-----|-------|------|
| 795-FX | - | - | 59FS |

Meeting Stiles
Astragals

Overlapping Astragals

#70481

#714



FINISHES: CA, MB, WP

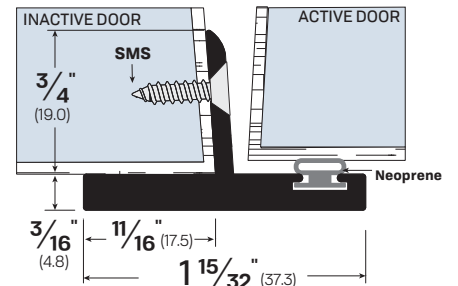
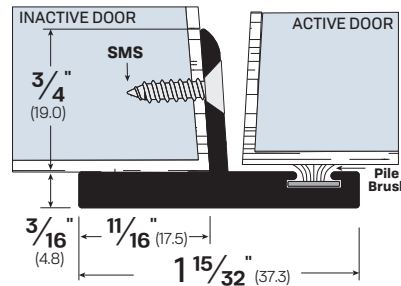
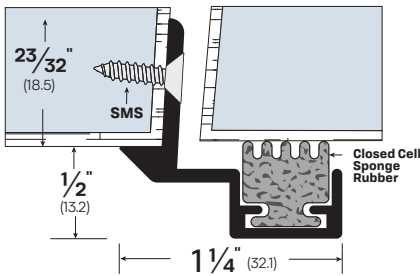
NOTES:

- Replacement closed cell sponge neoprene - Part #5248SPR
- Replacement Pile Brush - Part #413PB

#70481

#714

#715



FINISHES: CA, MB, WP

NOTES:

- Replacement closed cell sponge neoprene - Part #5248SPR

FINISHES: CA, MB, WP

NOTES:

- Replacement Pile Brush - Part #413PB

FINISHES: CA, MB, WP

NOTES:

- Replacement neoprene - Part #414N

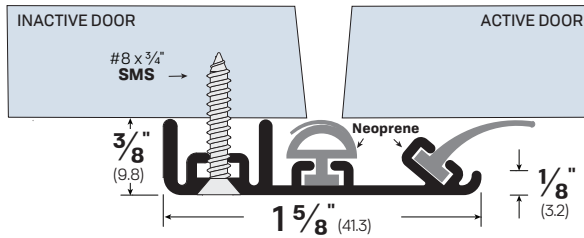
| LEGACY | NGP | PEMKO | ZERO |
|--------------|------|-------|-------|
| 70481 | 148N | - | 1840A |

| LEGACY | NGP | PEMKO | ZERO |
|------------|------|-------|------|
| 714 | 158P | 355CP | 41AA |

| LEGACY | NGP | PEMKO | ZERO |
|------------|-----|-------|------|
| 715 | 158 | 355CS | - |

Meeting Stiles
 Astragals

#7383



FINISHES: CA, DB, MB, WP

OPTIONS:

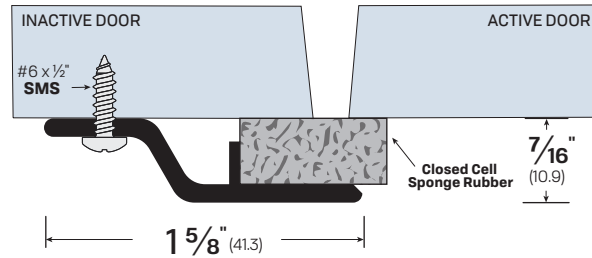
LIG - Ligature Resistant **SLC** - Strike Lip Cut

NOTES:

- Replacement neoprene lip - Part #4383N
- Replacement neoprene bulb - Part #4674N

| LEGACY | NGP | PEMKO | ZERO |
|-------------|------|-------|-------|
| 7383 | 158N | 355 | 383AA |

#7041



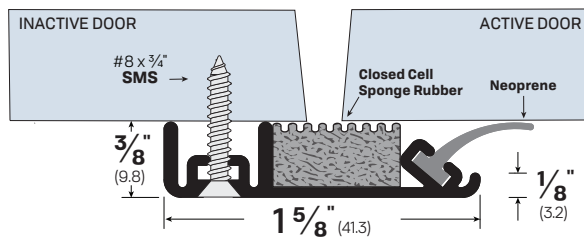
FINISHES: CA

NOTES:

- Replacement closed cell sponge neoprene - Part #4813SPR

| LEGACY | NGP | PEMKO | ZERO |
|-------------|------|-------|------|
| 7041 | 122N | 375CR | 140A |

#7483



FINISHES: CA, DB, MB, WP

OPTIONS:

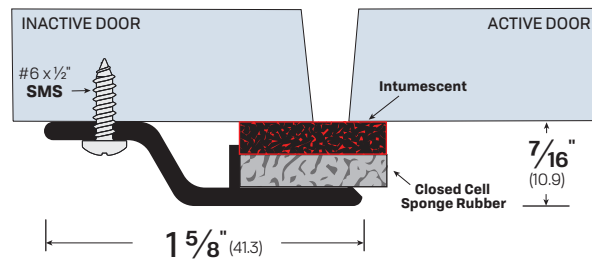
LIG - Ligature Resistant **SLC** - Strike Lip Cut

NOTES:

- Replacement sponge neoprene - Part #4483SPR
- Replacement neoprene - Part #4383N

| LEGACY | NGP | PEMKO | ZERO |
|-------------|-----|-------|------|
| 7483 | - | - | - |

#7041-FX



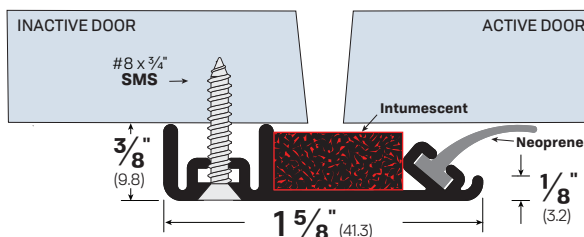
FINISHES: CA

NOTES:

- Intumescent material for Fire/Acoustical applications

| LEGACY | NGP | PEMKO | ZERO |
|----------------|-----|-------|-------|
| 7041-FX | - | - | 140FS |

#7483-FX



FINISHES: CA, DB, MB, WP

OPTIONS:

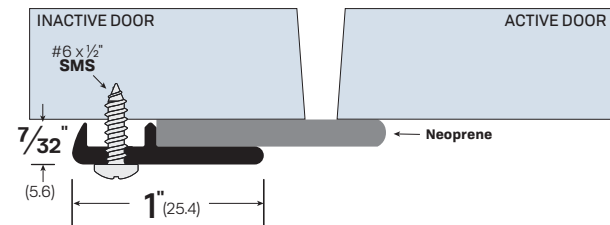
FX - Intumescent **SLC** - Strike Lip Cut

NOTES:

- Intumescent material for Fire/Acoustical applications
- Replacement neoprene - Part #4383N

| LEGACY | NGP | PEMKO | ZERO |
|----------------|-----|-------|-------|
| 7483-FX | - | - | 383FS |

#7933



FINISHES: BR, CA, DB, MB, WP

OPTIONS:

FL - Fire Label

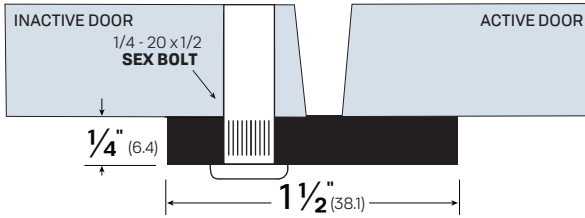
NOTES:

- Replacement neoprene - Part #493N

| LEGACY | NGP | PEMKO | ZERO |
|-------------|------|--------|-------|
| 7933 | 198N | 3151CN | 339AA |

Meeting Stiles Astragals

#744



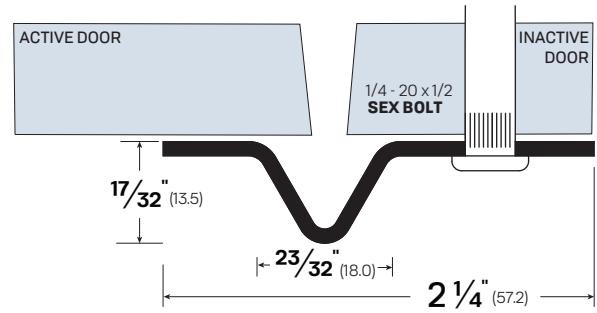
FINISHES: MA

NOTES:

- Other widths are available - Specify width

| LEGACY | NGP | PEMKO | ZERO |
|------------|-----|-------|------|
| 744 | - | - | 905A |

#734 - Security Astragal



FINISHES: SP

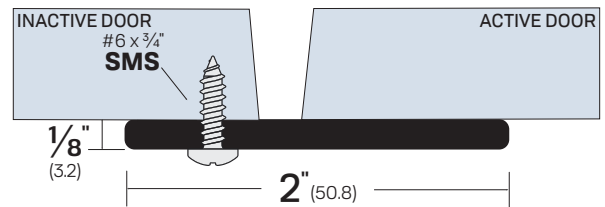
OPTIONS:

SF - Security Fasteners

| LEGACY | NGP | PEMKO | ZERO |
|------------|--------|-------|------|
| 734 | 1390SP | 3572 | 43SP |



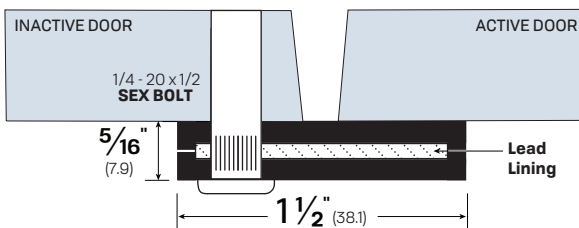
#774



FINISHES: CA, SS

| LEGACY | NGP | PEMKO | ZERO |
|------------|------|-------|------|
| 774 | 139A | 357 | 47AA |

#744-LL



FINISHES: MA

NOTES:

- Lead Lined Material for X-Ray protection.
- For use on lead lined openings
- .032 lead thickness

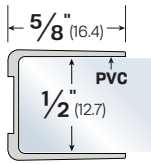
| LEGACY | NGP | PEMKO | ZERO |
|---------------|-----|-------|------|
| 744-LL | - | - | - |



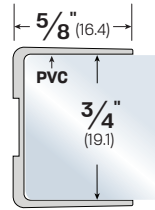
#744-LL

Glass Door Gasketing

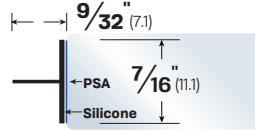
#7531



#7631

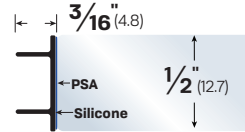


#7177S



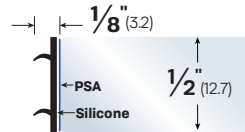
COLORS: BK, CL

#7277S



COLORS: BK, CL

#77128S

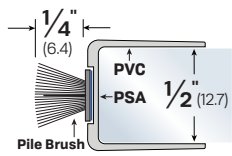


COLORS: BK, WH



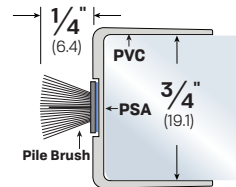
Glass Door with #77128S applied.

#7731



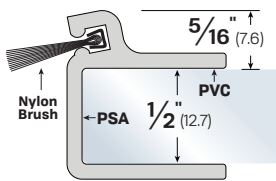
PILE COLORS: GY, BK

#7831

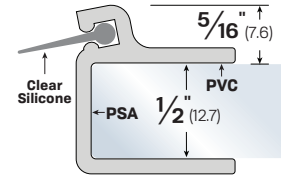


PILE COLORS: GY, BK

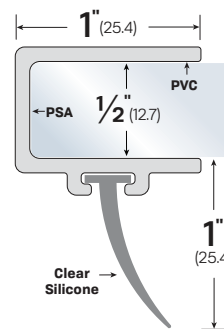
#7331



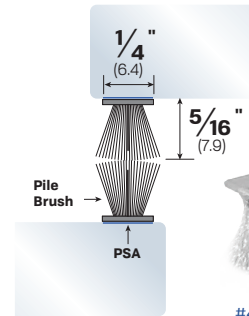
#7431



#77319

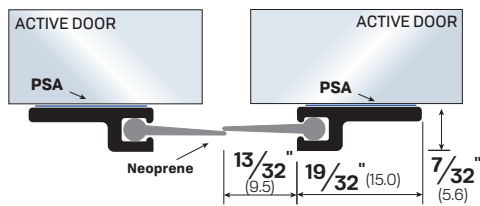


#423PB

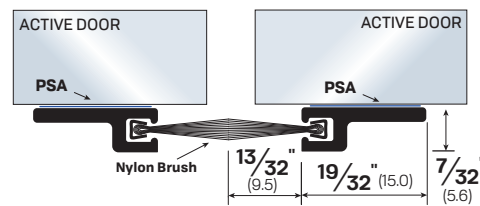


#423PB-GY

#74918-PSA

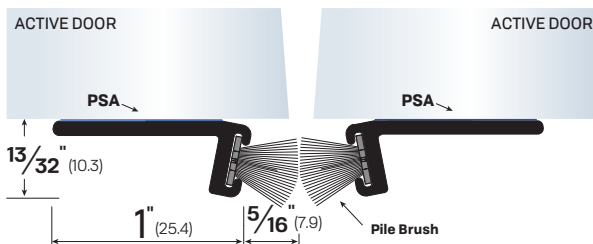


#73918-PSA

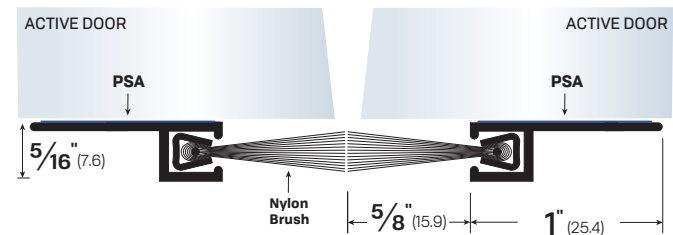


PAIR OF
#74918-PSA

#789-PSA



#72918-PSA



Meeting Stiles
Astragals

How To Order: Hinges

Example #1019CA-HD-72

PART NUMBER & **FINISH** - **OPTIONS** - **LENGTH**
1019 CA - HD - 84

| | | | |
|---------------|------|------|-------|
| PART # | 115 | 1179 | 1479 |
| | 1019 | 1279 | 1559 |
| | 1027 | 1359 | 10059 |
| | 1059 | 1379 | |
| | | | |

FINISH
Finishes vary by product. Please check available finishes listed for each product.
CA - Clear Anodized Aluminum
DB - Dark Bronze Anodized Aluminum
MB - Matte Black Powder Coat
SS - Stainless Steel

OPTIONS
Options vary by product. Please check available options listed for each product.
Blank - No Option **HD** - Heavy Duty **RH** - Right-Handed
CE - Concealed Electric **HT** - Hospital Tip **SF** - Security Fasteners
EPT - Electrical Power Transfer **LH** - Left-Handed **ST** - School Tip

LENGTH For #1019: Please specify to nearest 1/16". For all Cam Lift and #1027, Specify each (EA).

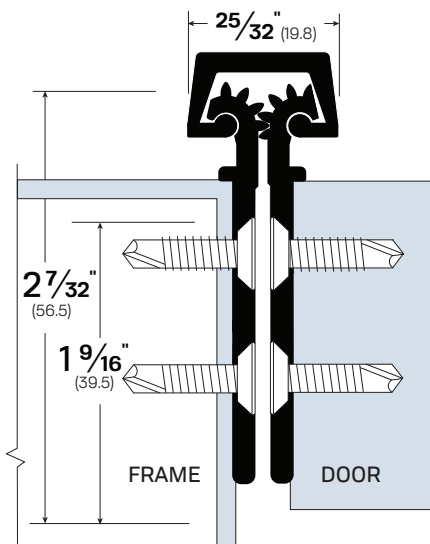


#1059SS



#1019CA

#1019 FULL MORTISED CONTINUOUS HINGE



Designed for smooth, effortless door swing, our Continuous Door Hinge System integrates two extruded aluminum "geared" segments in a cover channel, with support bearings of long-wearing, self-lubricating Delrin™ which absorb shock and distribute weight evenly. The hinge rotates a full 180 degrees. Well suited for both new and retrofit construction, the tamper-proof continuous hinge performs effectively on doors up to nine feet. Constructed from heavy-gauge aluminum, both models are offered in a choice of two finishes.

FINISHES: CA, DB

OPTIONS: HD, EPT, CE, HT, ST, SF

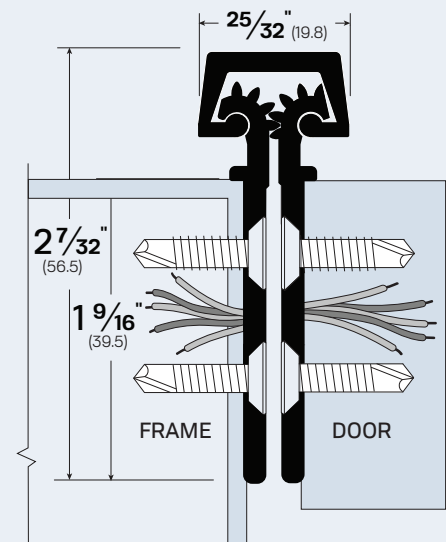
NOTES:

- Grey color
- 16 hinges for standard hinge (approx. double for HD option -- see p.94)
- Door/ frame reinforcements are not required in most applications
- 5/16" clearance on square edge door, 3/8" clearance on beveled door



| LEGACY | NGP | PEMKO | ZERO |
|--------|--------|-----------|------|
| 1019 | HD1100 | FMSLE-HD1 | - |

#1027 ELECTRIFIED HINGE



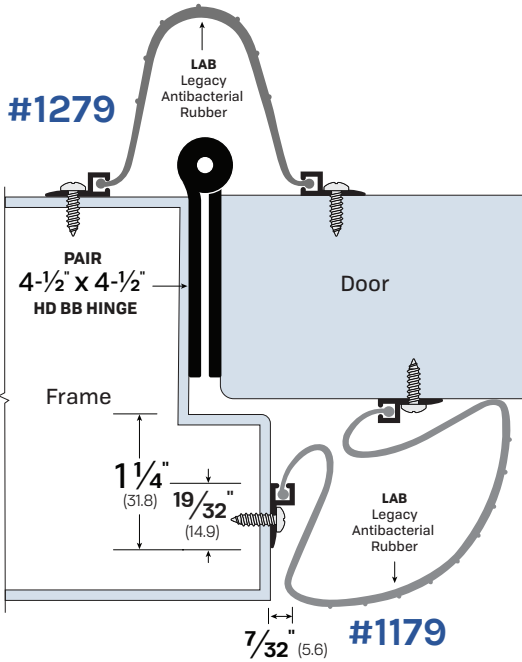
FINISHES: CA, DB

NOTES:

- Power Transfer Technology
- 26-gauge
- 6 wire standard, 8 wire optional
- Tamper-resistant
- Weather-resistant

NO COMPETITOR EQUIVALENTS

Specialty Hinges



#1179

FINISHES: CA, MB, WP

NOTES: Legacy Anti-Bacterial Rubber is white.

| LEGACY | NGP | PEMKO | ZERO |
|--------|-----|-------|------|
| 1179 | - | - | 971 |

#1279

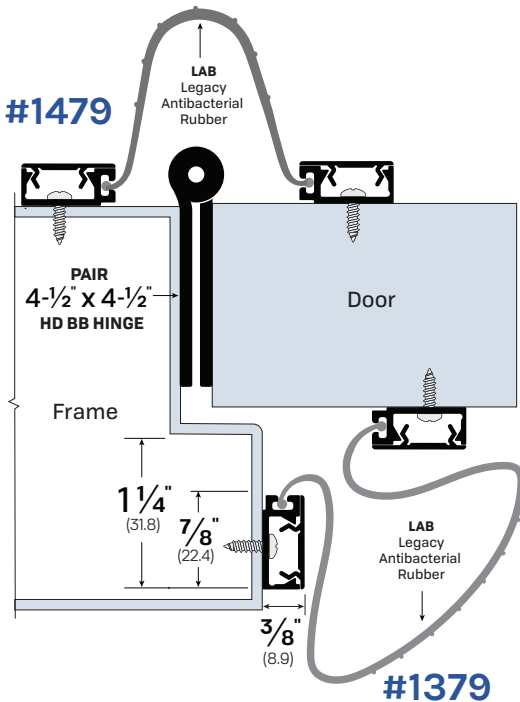
FINISHES: CA, MB, WP

NOTES: Legacy Anti-Bacterial Rubber is white.

| LEGACY | NGP | PEMKO | ZERO |
|--------|------|-------|------|
| 1279 | 2252 | - | 972 |



The flexible rubber sheathing in these product protects fingers and hands from being crunched in applications such as schools, child care centers, workplaces and other high-traffic commercial installations. Solid neoprene rubber is used for mountings, which can also be concealed for additional protection.



#1379

FINISHES: CA, MB, WP

NOTES: Legacy Anti-Bacterial Rubber is white.

| LEGACY | NGP | PEMKO | ZERO |
|--------|-----|-------|------|
| 1379 | - | - | 973 |

#1479

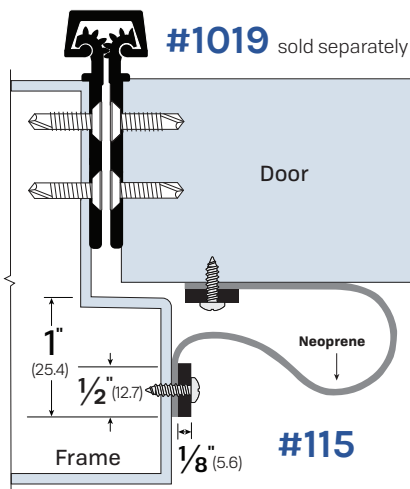
FINISHES: CA, MB, WP

NOTES: LAB Rubber is White.

| LEGACY | NGP | PEMKO | ZERO |
|--------|------|-------|------|
| 1479 | 2252 | - | 974 |

Antibacterial properties in the proprietary rubber used for the sheathing also make Legacy Finger Guard Protection suitable for environments demanding high standards of hygiene. Ideal applications include: hospitals, nursing homes, and doctors' offices.

Can be installed in new and retrofit applications.

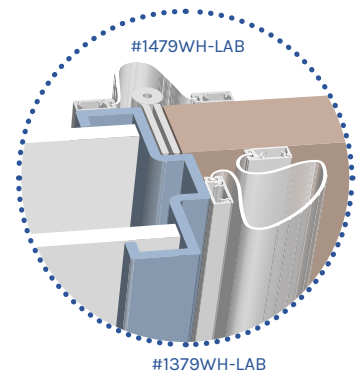


#115

FINISHES: CA, MB, WP

NOTES: N (Solid Neoprene) is black.

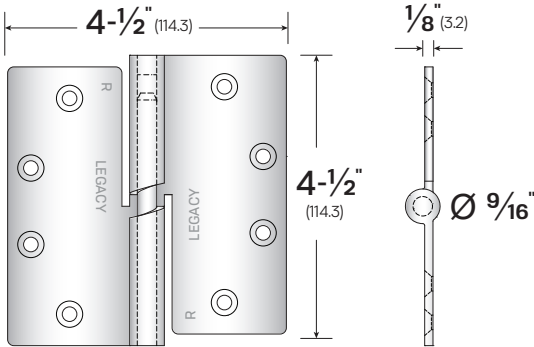
| LEGACY | NGP | PEMKO | ZERO |
|--------|-----|-------|------|
| 115 | - | - | 51 |



#1379WH-LAB

Specialty Hinges

#1559  



FINISHES:

SS - Stainless Steel **MB** - Matte Black Powder Coat

OPTIONS:

RH - Right-Handed **LH** - Left-Handed

NOTES:

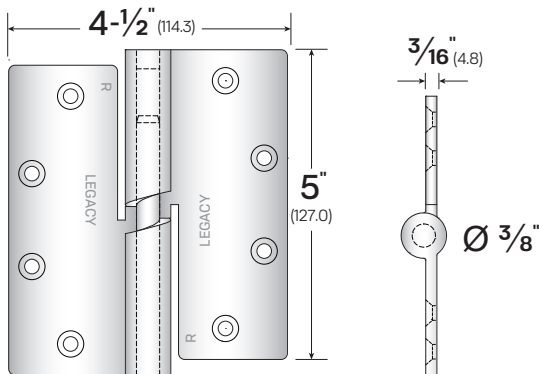
- **Example Order:** #1559SS-RH
- **Door Rating** (1-1/2 pairs): Up to 200 lbs.
- **Screw Size** (Metal Doors): 12-24 x 3/4"
- **Lift** (180° opening): 3/16"
- Includes all machine screws (24), and 1/2 wood screws (12)
- All hinges are ANSI template

| LEGACY | NGP | PEMKO | ZERO |
|-------------|-----|-------|------|
| 1559 | - | - | Z955 |



Designed for sound-rated and other heavy doors up to 900 pounds. Manufactured from high precision stainless steel casting, the cam lift hinge provides a smooth 1/2 inch drop over a rotation of 180 degrees for superior sealing performance. Available for right or left-hand swinging doors. Sold in pairs. Please refer to each individual part for rating details.

#1359  



FINISHES:

SS - Stainless Steel **MB** - Matte Black Powder Coat

OPTIONS:

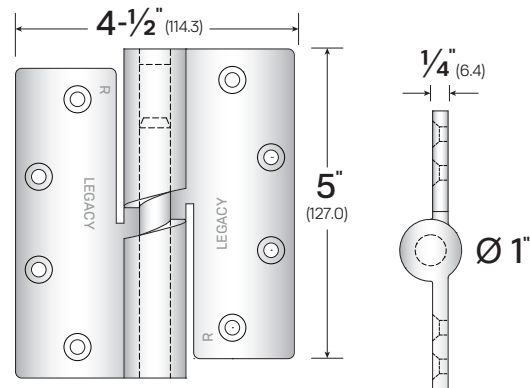
RH - Right-Handed **LH** - Left-Handed

NOTES:

- **Example Order:** #1359MB-RH
- **Door Rating** (1-1/2 pairs): Up to 300 lbs.
- **Screw Size** (Metal Doors): 12-24 x 3/4"
- **Lift** (180° opening): 1/4"
- Includes all machine screws (24), and 1/2 wood screws (12)
- All hinges are ANSI template

| LEGACY | NGP | PEMKO | ZERO |
|-------------|-----|-------|------|
| 1359 | - | - | Z953 |

#1059  



FINISHES:

SS - Stainless Steel **MB** - Matte Black Powder Coat

OPTIONS:

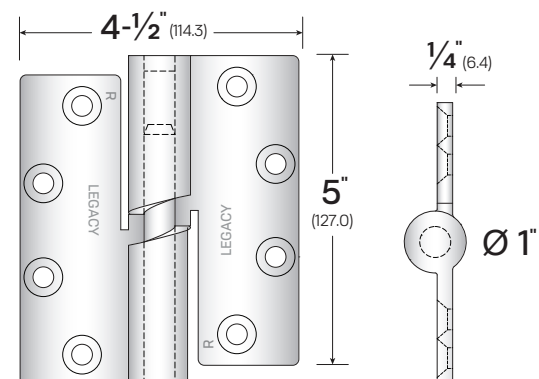
RH - Right-Handed **LH** - Left-Handed

NOTES:

- **Example Order:** #1059SS-LH
- **Door Rating** (1-1/2 pairs): Up to 500 lbs.
- **Screw Size** (Metal Doors): 12-24 x 3/4"
- **Lift** (180° opening): 5/16"
- Includes all machine screws (24), and 1/2 wood screws (12)
- All hinges are ANSI template

| LEGACY | NGP | PEMKO | ZERO |
|-------------|-----|-------|------|
| 1059 | - | - | Z950 |

#10059  



FINISHES:

SS - Stainless Steel **MB** - Matte Black Powder Coat

OPTIONS:

RH - Right-Handed **LH** - Left-Handed

NOTES:

- **Example Order:** #10059SS-LH
- **Door Rating** (1-1/2 pairs): Up to 900 lbs.
- **Screw Size** (Metal Doors): 5/16"-18 x 3/4"
- **Lift** (180° opening): 5/16"
- Includes all machine screws (24), and 1/2 wood screws (12)
- All hinges are ANSI template

| LEGACY | NGP | PEMKO | ZERO |
|--------------|-----|-------|-------|
| 10059 | - | - | Z9500 |

Specialty Hinges

How To Order: Accurate Weatherstripping

Example #3CHBR-84

Easy Ways To Order

Email

Orders@LegacyLLC.com

Phone

Local: +1 (718) 292-5333
Toll Free: +1 (888) 383-3330

Fax

+1 (888) 383-3330

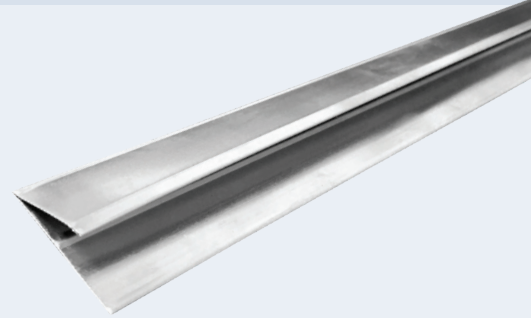
PART NUMBER & FINISH - OPTIONS - LENGTH
3CH BR - PSA - 84

| PART # | |
|--------|-------|
| 1 | 8 |
| 2 | 8C |
| 2C | 21 |
| 2CH | B118L |
| 3 | B180 |
| 3C | S180 |
| 3CH | B181 |
| 4C | S181 |
| 4CH | B182 |
| 5CH | S182 |
| 6 | B183 |
| 7 | B184 |
| 7S | 416C |
| 7Z | 732 |

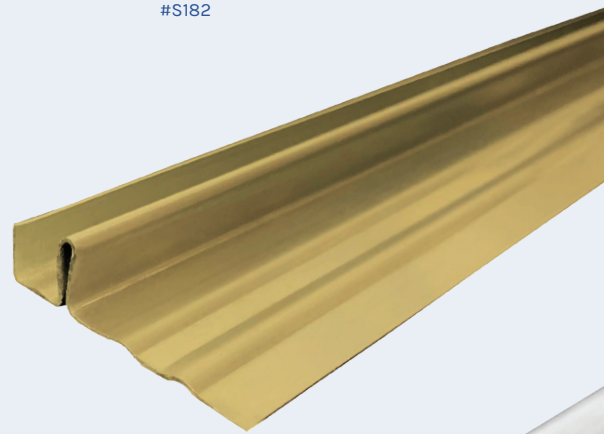
MATERIAL
 Finishes vary by product. Please check available finishes listed for each product.
BR - Bronze
SS - Stainless Steel
ZN - Zinc

OPTIONS
 Options vary by product. Please check available options listed for each product.
Blank - Standard Fasteners supplied
PSA - Pressure Sensitive Adhesive

LENGTH
 Please specify to nearest 1/2"



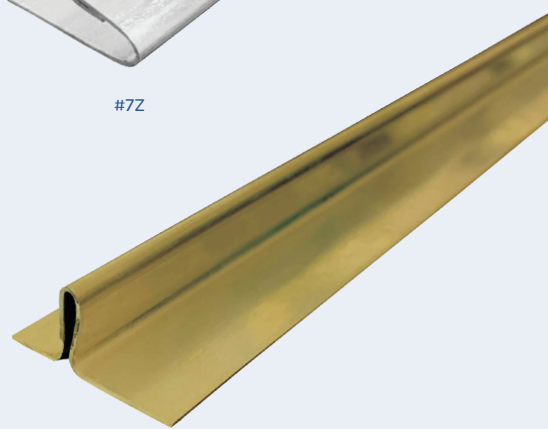
#S182



#3CHBR



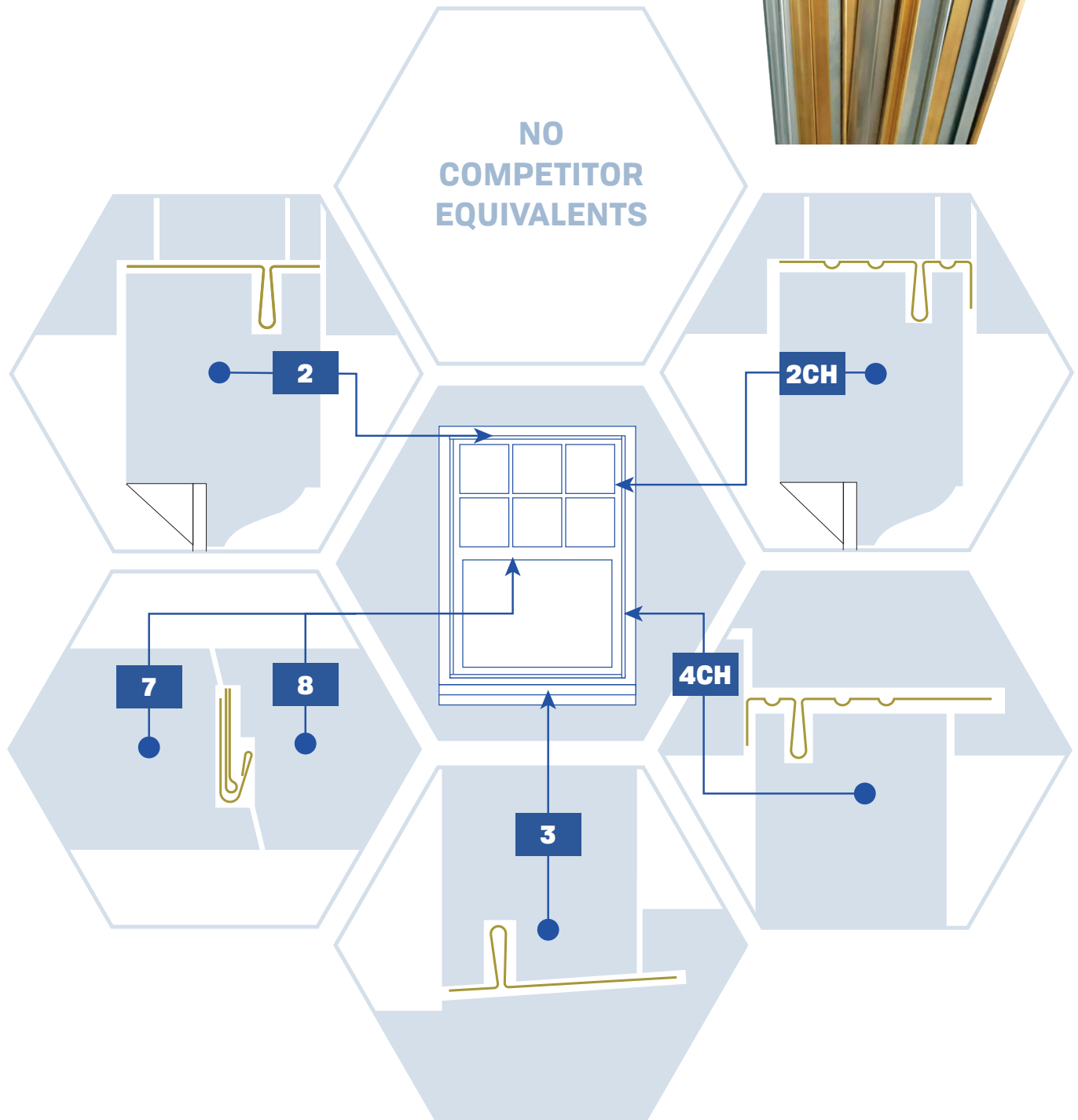
#7Z



#1BR

Interlocking Metal Weatherstrips

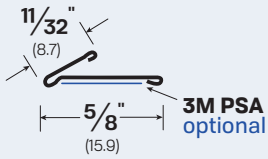
| Location | 1-3/8" | 1-3/4" | Thickness | Attachment |
|--------------------|--------|--------|-----------|------------|
| Head | #2 | #3 | .018 | Nails |
| Sill | #3 | #6 | .018 | Nails |
| Meeting Rail | #7 | #7 | .020 | Nails |
| | #8 | #8 | .018 | |
| Upper Sides | #2CH | #3CH | .018 | Nails |
| Lower Sides | #4CH | 5CH | .018 | Nails |


 Specialty
 Hinges



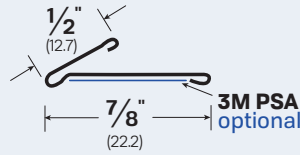
Hinge Door Springs

#B180 | #S180



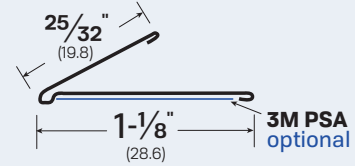
Hinge Door Spring
MATERIALS: BR, SS
OPTIONS: PSA

#B181 | #S181



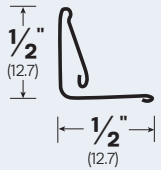
Hinge Door Spring
MATERIALS: BR, SS
OPTIONS: PSA

#B182 | #S182



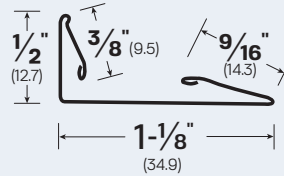
Hinge Door Spring
MATERIALS: BR, SS
OPTIONS: PSA

#B183



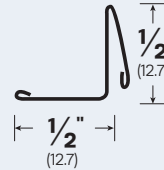
Hinge Door Spring
MATERIALS: BR

#B184



Hinge Door Spring
MATERIALS: BR

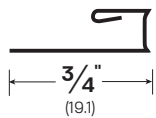
#B118L



Hinge Door Spring
MATERIALS: BR

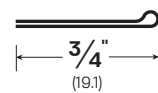
Specialty Hinges

#7S



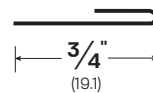
Meeting Rail Hook
MATERIALS: ZN

#8



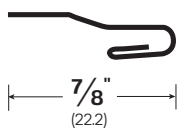
Meeting Rail Flat
MATERIALS: BR, ZN

#8C



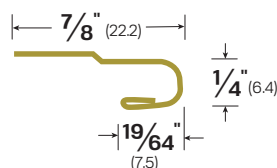
Meeting Rail Flat
MATERIALS: BR, ZN

#21



Interlocking Threshold Hook
OPTIONS: ZN

#732BR



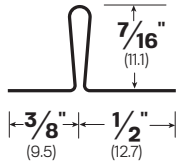
Interlocking Threshold Hook
OPTIONS: BR

#416C



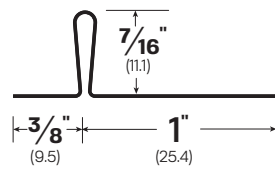
Copper Plated Flat Head Nails
 7/8" #16

#1



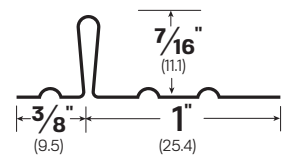
Plain Rib Strip 1" Base
MATERIALS: BR, ZN

#2



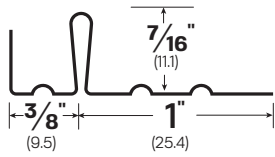
Plain Rib Strip 1-3/8" Base
MATERIALS: ZN

#2C



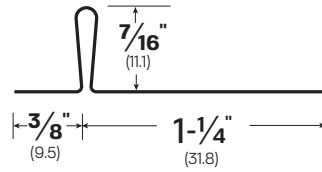
Side Strip 1-3/8" Base
MATERIALS: BR

#2CH



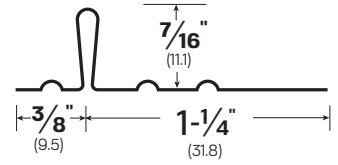
Side Strip 1-3/8" Base
MATERIALS: BR, ZN

#3



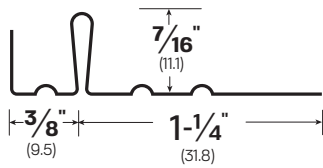
Plain Rib Strip 1-5/8" Base
MATERIALS: ZN

#3C



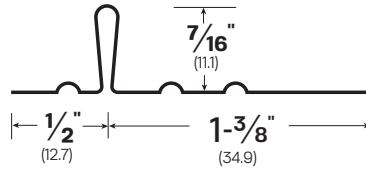
Plain Rib Strip 1-5/8" Base
MATERIALS: BR, ZN

#3CH



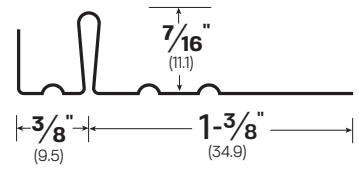
Side Strip 1-5/8" Base
MATERIALS: BR

#4C



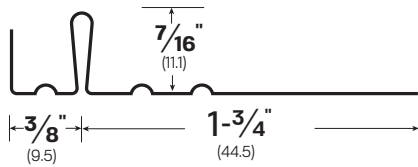
Plain Rib Strip 1-7/8" Base
MATERIALS: BR

#4CH



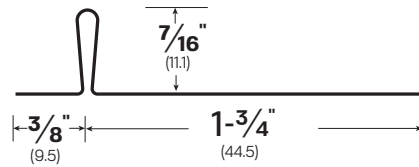
Plain Rib Strip 1-3/4" Base
MATERIALS: BR, ZN

#5CH



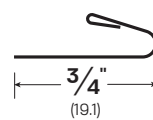
Side Strip 2-1/8" Base
MATERIALS: BR, ZN

#6

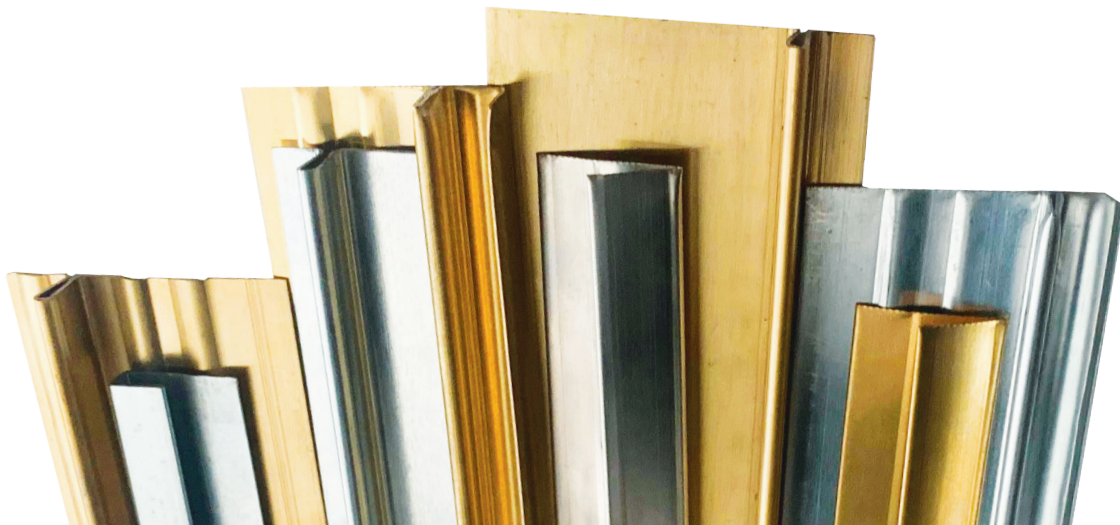


Plain Rib Strip 2-1/8" Base
MATERIALS: BR, ZN

#7



Meeting Rail Hook
MATERIALS: BR, ZN



Flood Barriers

... protect openings and help safeguard building contents from floodwaters

Building on years of experience providing vital flood zone protection for doorways, Legacy now offers reliable, cost-effective flood barrier systems for virtually every building opening exposed to potential high-water flooding. Installing Legacy flood barriers can help satisfy National Flood Insurance Program (NFIP) requirements for coverage in designated flood zones, along with providing invaluable peace of mind to building owners hoping to minimize flood damages.

Legacy flood barrier panels are engineered for easy installation into pre-mounted aluminum brackets attached to frames or adjacent walls. When high water threatens, simply drop the barrier panel into the mounting channels and hand tighten the screw. Panels can be removed just as easily for storage when not in use. Closed cell sponge neoprene lines the bottom and sides of openings to ensure a watertight seal, as well as compensate for any gaps at door thresholds. These seals feature an innovative "three-finger" rubber profile for improved compression and better seals compared with conventional U-channel design.

Constructed from marine-grade aluminum, the removable flood barrier panels can be built to any specified height and are also stackable using watertight bar clamps. Milled Easy-Lift handles are another recent design enhancement. Interlocking posts, including outer sleeves for ground support, are supplied for specified opening widths greater than 48 inches, which translates to virtually no practical limit on the width of protected openings or spans.

Suitable for both residential and commercial applications, Legacy flood barriers comply with standards of the Federal Emergency Management Agency (FEMA) and Federal Insurance Administration (FIA) for use on doors in flood-prone areas. They are also ideal for houses with adjacent wetlands or in high-rainfall areas.



Specify Legacy Flood Barriers for:

- Entranceways and garage doors
- Sub-level and standard windows
- Exterior louvers or fireplaces
- Power-supply enclosures

| LEGACY | 5127 | 5027 | 5128 | 5129 |
|--------|------|-------|------|------|
| NGP | FS | FS | - | - |
| PEMKO | - | - | - | - |
| ZERO | - | 2070A | - | - |



Product Specifications

| | |
|----------------------|--|
| Panel | 5052 marine aluminum alloy |
| Frames | Channel 6062 alloy T5-T6, with 10-32 stainless steel Allen head tightening screws every 8" on center. |
| Seal | SPR or N as appropriate |
| Hardware | #10 x 1-1/4" FHPH with plastic expansion tube anchors. Snap covers for safety provided for the top of the channels and for the mounting holes. |
| Installation | Can be installed on hollow metal, aluminum or wood frames; and on concrete, brick or metal surfaces. |
| Floor Surface | Optional flat 1/4" x 2" bevels on 2 sides of the aluminum plate - #319 Threshold |



How To Order: Flood Barriers

Example #5027MA30-60

Easy Ways To Order

Email
Orders@LegacyLLC.com

Phone
Local: +1 (718) 292-5333
Toll Free: +1 (888) 383-3330

Fax
+1 (888) 383-3330

PART NUMBER & FINISH - HEIGHT - WIDTH
5027 MA - 30 - 60

| PART # | 5027 | |
|--------|------|------|
| | 5021 | 5060 |
| | 5027 | 5127 |
| | 5028 | 5128 |
| | 5029 | 5129 |
| | 5040 | |

FINISH
All Flood Shields are 5052 marine aluminum alloy. Finishes are available for mounting brackets only.
MA - Mill Aluminum
MB - Matte Black Powder Coat

HEIGHT
Flood barrier panels can be built to any custom height, subject only to practical constraints on the ease of fitting into and removing from mounting brackets. Specify to nearest 1". Panels specified for stacking are supplied with connecting aluminum Bar Clamps.

WIDTH
Flood barriers can be built to any custom width or span. Specify to nearest 1/16". Interlocking posts with ground support are required and supplied for every 48" of installed flood barrier.

Ordering Note
Because of the range of available options and the precision needed for efficient installations, Flood Barriers are typically specified in consultation with our Engineering Department.

Call our engineering department to discuss.

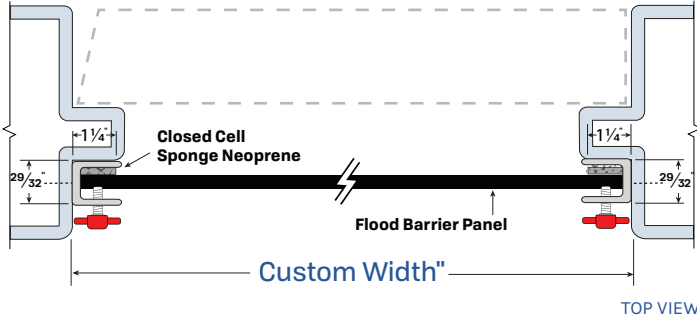
LEGACY ENGINEERING
Local: +1 (718) 292-5333
Toll Free: +1 (888) 383-3330



Flood Barriers

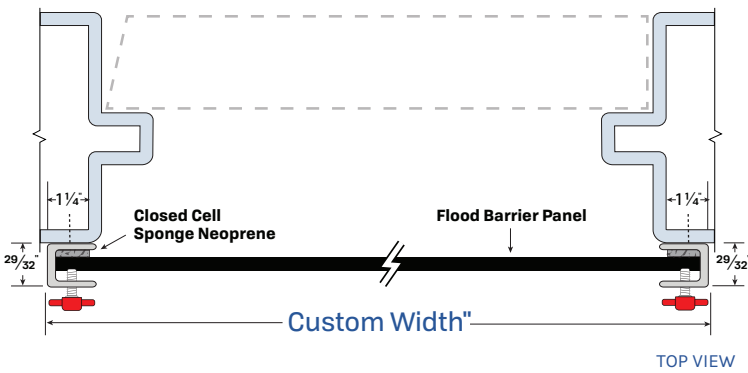
Single Flood Barrier for Standard Openings (Up to 48")

#5027 MOUNTED TO INSIDE OF FRAME

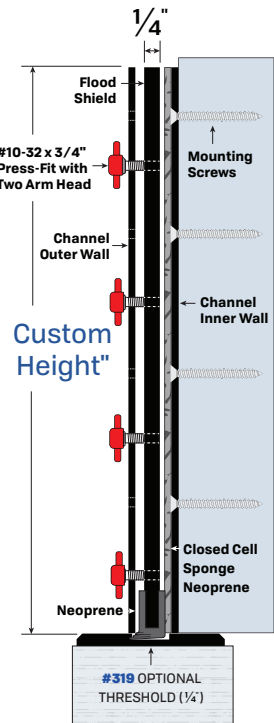
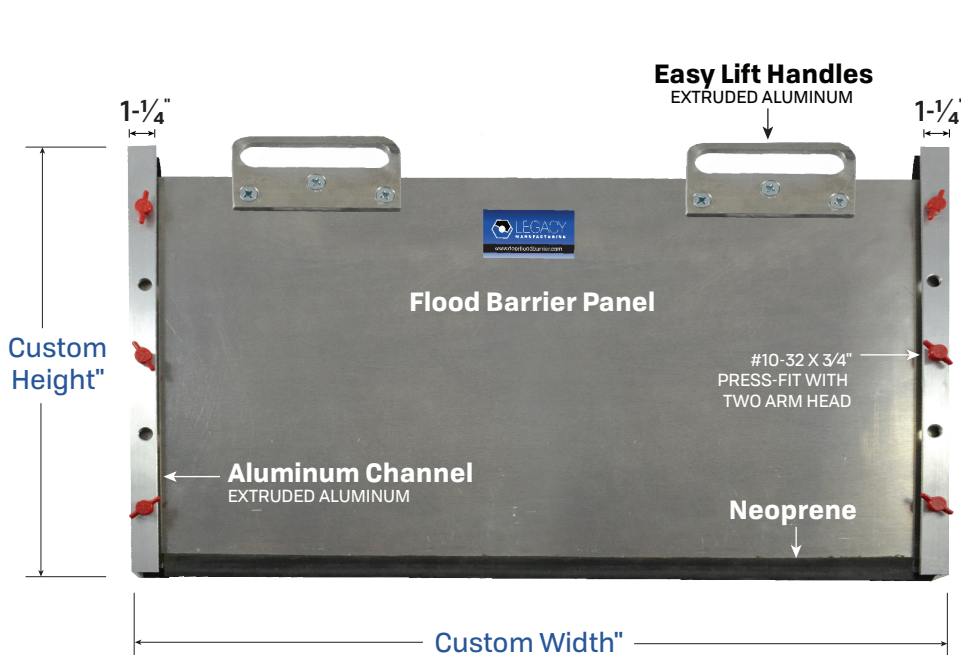


#5027MA mounted to the inside of the door frame.

#5127 MOUNTED TO OUTSIDE OF FRAME



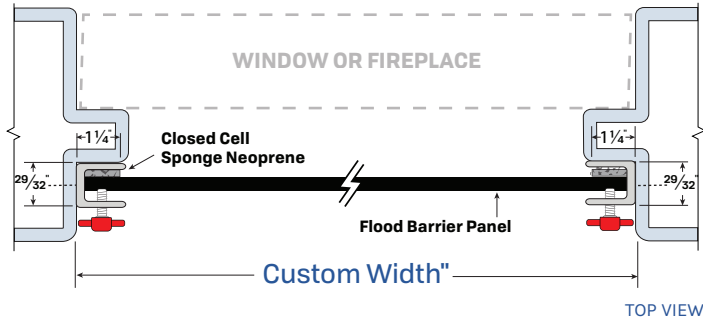
#5127MA mounted to the outside of the door frame.



Flood Barriers

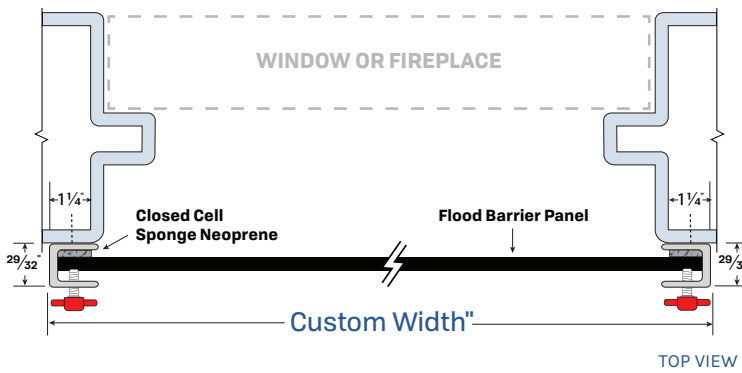
Single Flood Barrier for Windows, Louvers and Fireplaces (Up to 48")

#5028 MOUNTED TO INSIDE OF FRAME

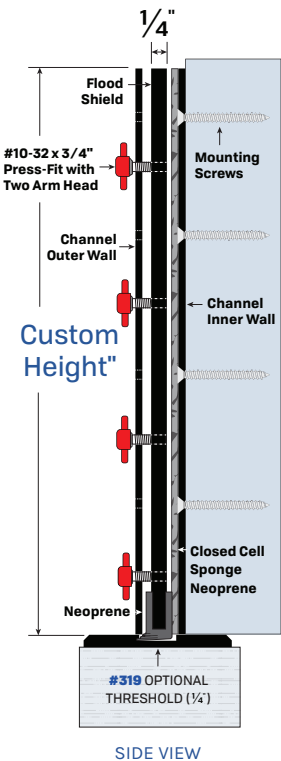


#5128MA mounted to a basement window.

#5128 MOUNTED TO OUTSIDE OF FRAME



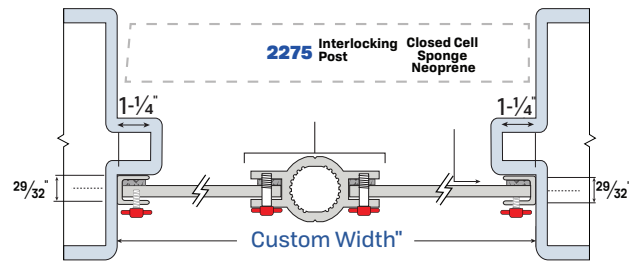
#5128MA mounted to a fireplace.



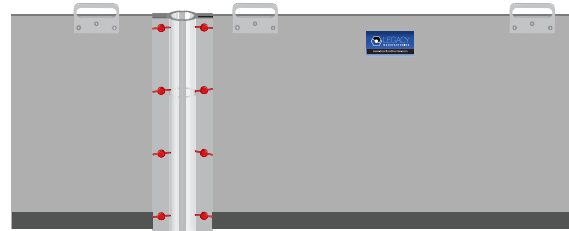
SIDE VIEW

Interlocking Flood Barrier for Oversized Openings (Greater than 48")

#5029 MOUNTED TO INSIDE OF FRAME

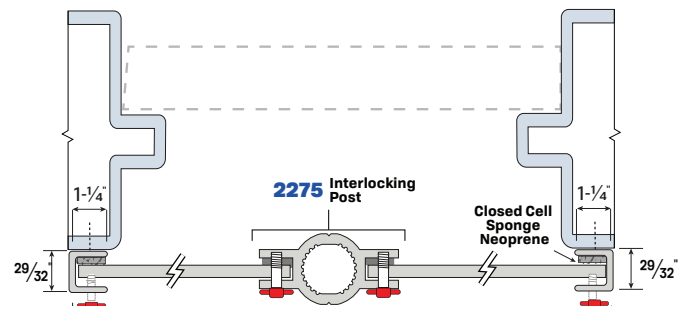


#2275 INTERLOCKING POST WITH GROUND SUPPORT



#2275
Channels are cut to fit into the outer sleeve below.

#5129 MOUNTED TO OUTSIDE OF FRAME



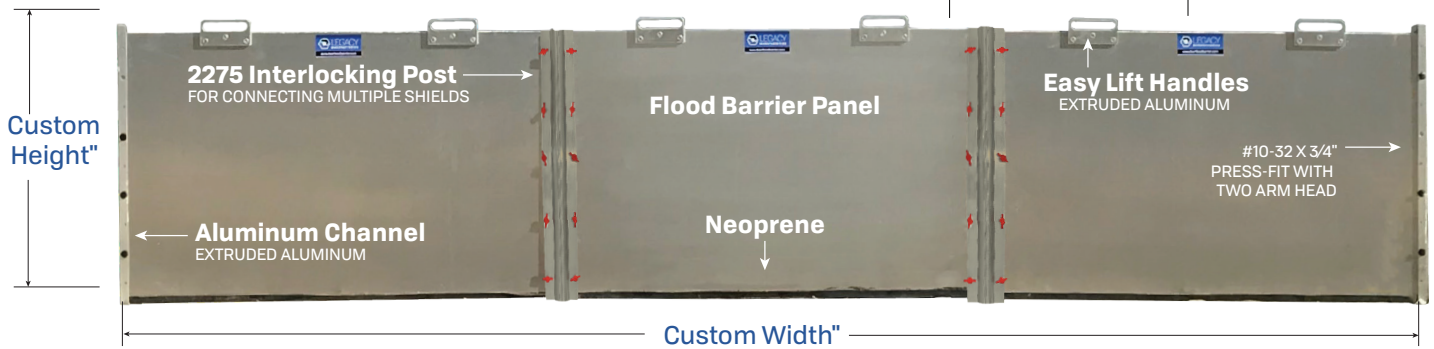
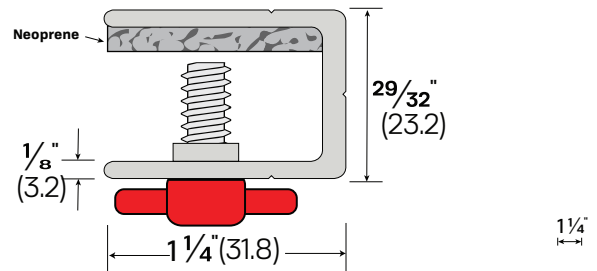
Recommended for every 48" of specified installed width:

- #2275 Interlocking Post with
- #22070-OS Outer Sleeve



#22070-OS
The outer sleeve is installed beneath the surface for added support.
This product is provided with a black cap.

#22070-CH-CA ALUMINUM CHANNEL



#5129MA36-96



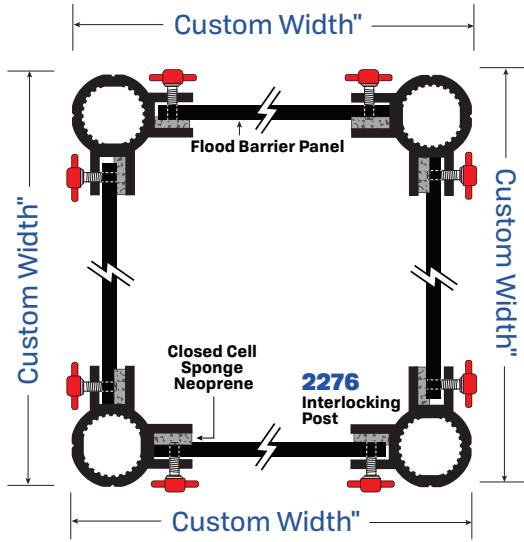
#5129MA mounted to front of hotel entrance.



#5029MA mounted to the inside of garage door frame.

Flood Barrier Enclosures

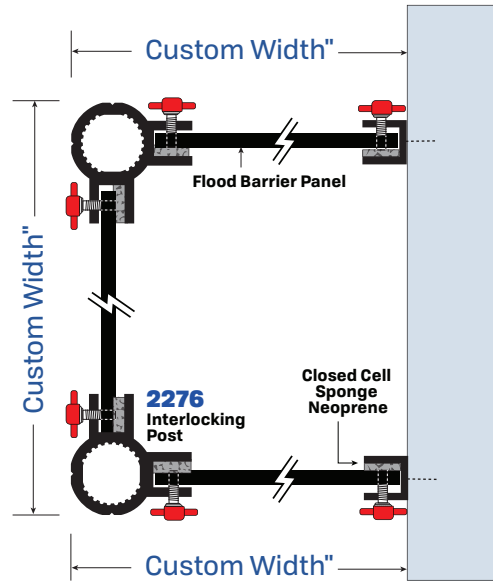
#5060 FREE STANDING



Recommended for every 48" of specified installed width:

- #2275 Interlocking Post with
- #22070-OS Outer Sleeve

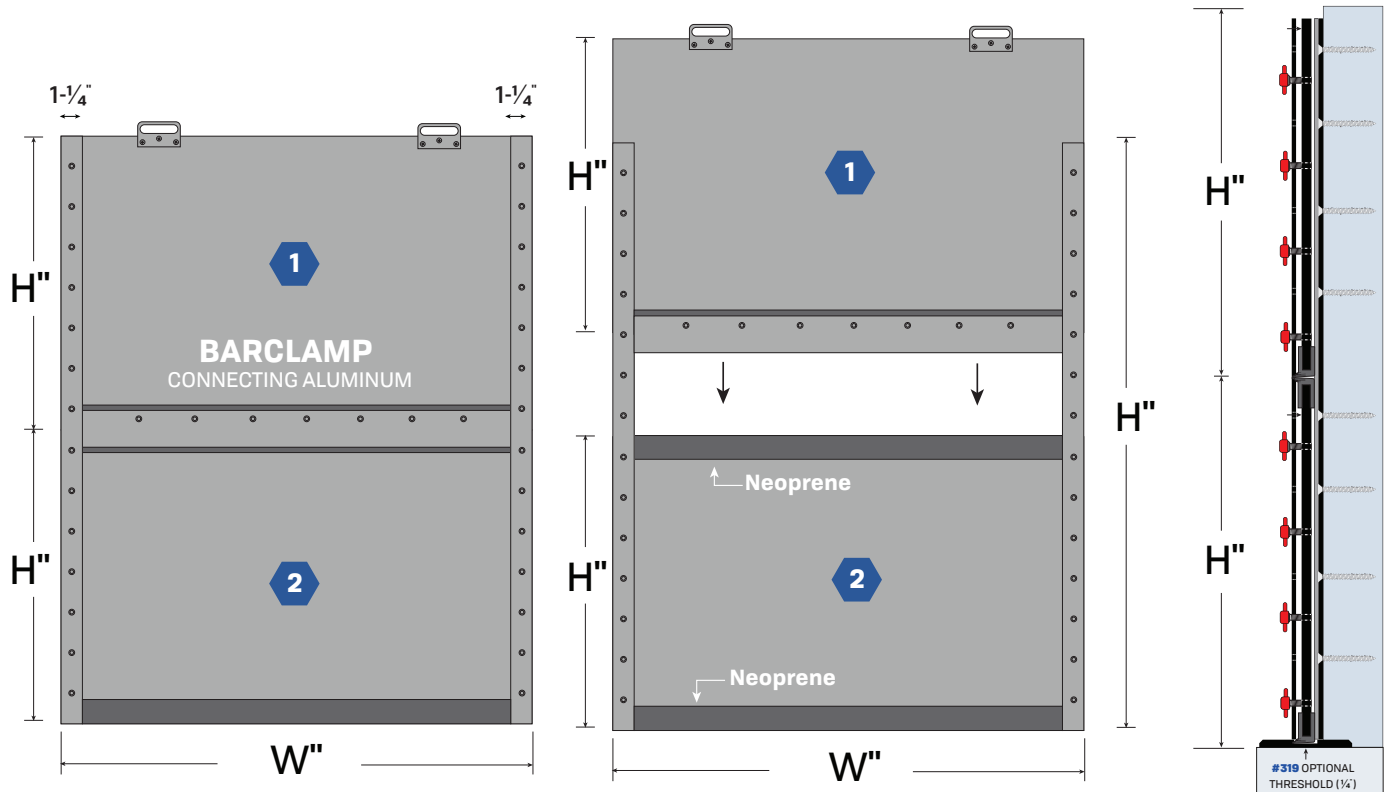
#5040 SURFACE-MOUNTED



Recommended for every 48" of specified installed width:

- #2275 Interlocking Post with
- #22070-OS Outer Sleeve

#5021 STACKABLE FLOOD BARRIER



• Call us to discuss your best configuration for your specific installation.

Acoustical Systems

Experience and precision engineering are paramount in designing high-performance acoustical door assemblies, and nobody scores higher than Legacy on both counts. We extend that expertise to sound door manufacturers interested in collaborating to achieve industry-leading results.

Legacy's OEM program assists manufacturers in designing and building acoustical doors to achieve specific STC ratings. There are three distinct, integrated components to the services we provide:

- Advice on design and construction for your STC-rated doors,
- Consultation on integrating best-value sound-control gasketing to optimize costs and performance, and
- Collaborating on testing the assembly in the lab to achieve published STC ratings.

The first step is understanding your goals and the resources we can provide to help.
Call our engineering department to discuss.

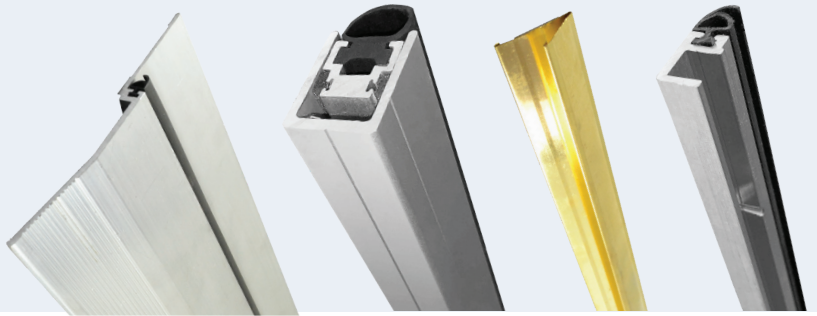
LEGACY ENGINEERING

Local: +1 (718) 292-5333

Toll Free: +1 (888) 383-3330

| System | Head & Jamb | Door Bottom | Threshold | Door Rating | STC Rating |
|----------------|-----------------------------|-------------|-----------|-------------|------------|
| 6049STC | 5077, 5911BR, 5881S | 7763 | 3465 | 50 | 49 |
| 6148STC | 5077, B182, 50517S | 7763 | 3665 | 49 | 48 |
| 6048STC | 5077, 5911BR, 5881S, 52408S | 7763 | 3465 | 50 | 48 |
| 6047STC | 5077, B182 | 7763 | 3665 | 49 | 47 |
| 6046STC | 5077, 50517S | 7763 | 3665 | 49 | 46 |
| 6042STC | 5077 | 7763 | - | 50 | 42 |
| 6142STC | 5574 | - | 3465 | 50 | 42 |
| 6037STC | 5584, 50519S | 7553 | 3465 | 37 | 37 |
| 6036STC | 5584 | 7553 | 3465 | 37 | 36 |
| 6136STC | 5584, 5883S | 7553, 793 | 3465 | 37 | 36 |
| 6236STC | 50519S | 7153 | - | 37 | 36 |

This representative list shows published STC results for acoustical door assemblies and configurations designed and tested through collaborations between Legacy and OEM partners.

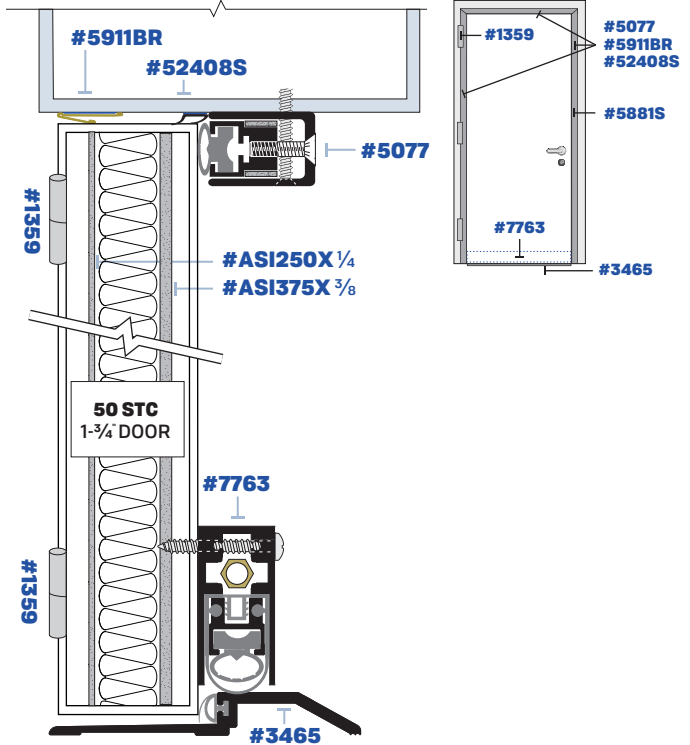
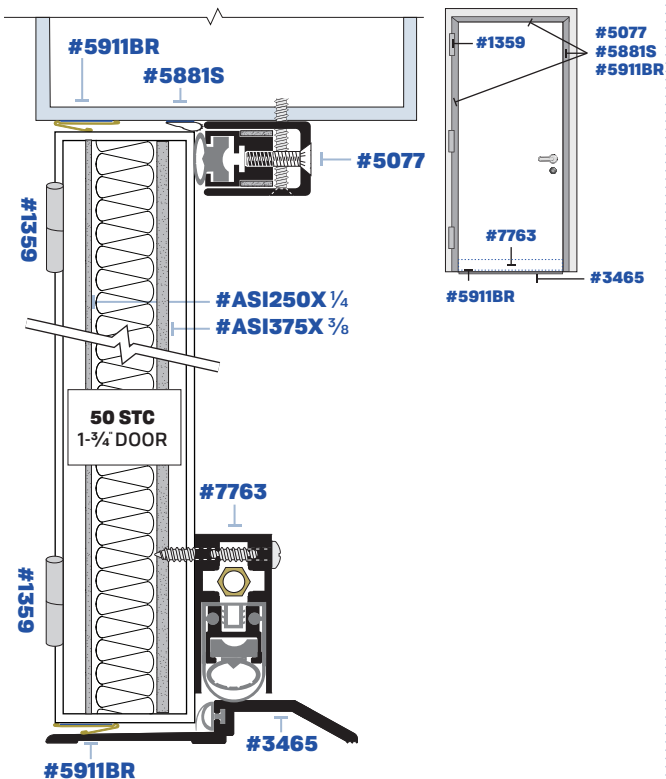


#6049STC

49 STC

#6048STC

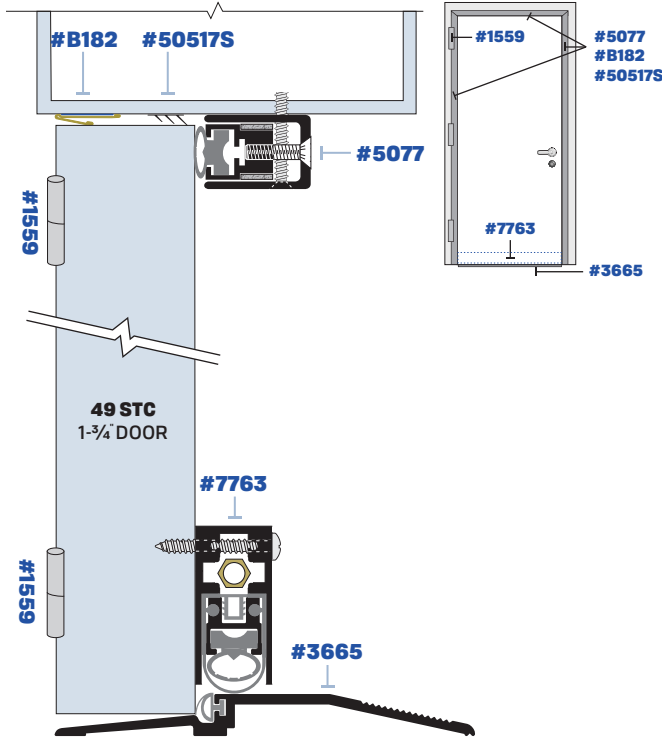
48 STC



Specialty Solutions

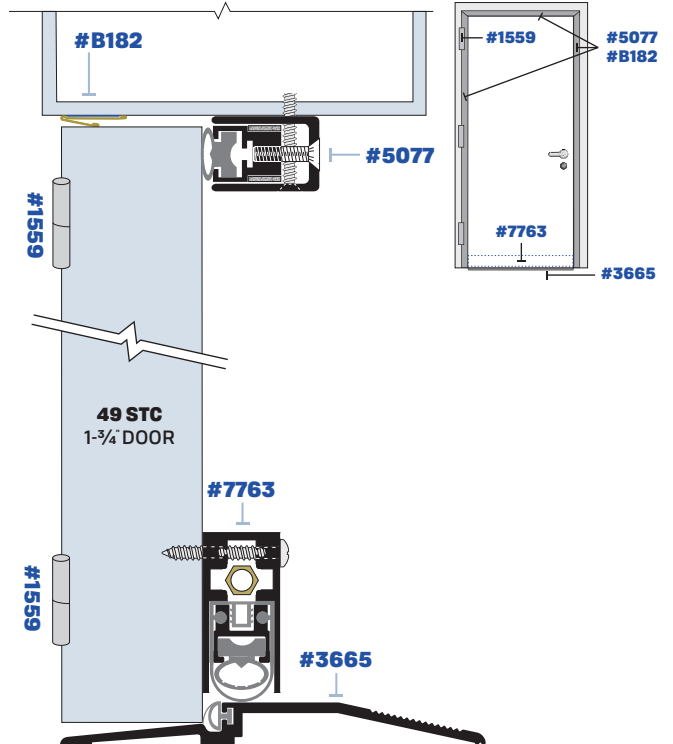
#6148STC 

48 STC



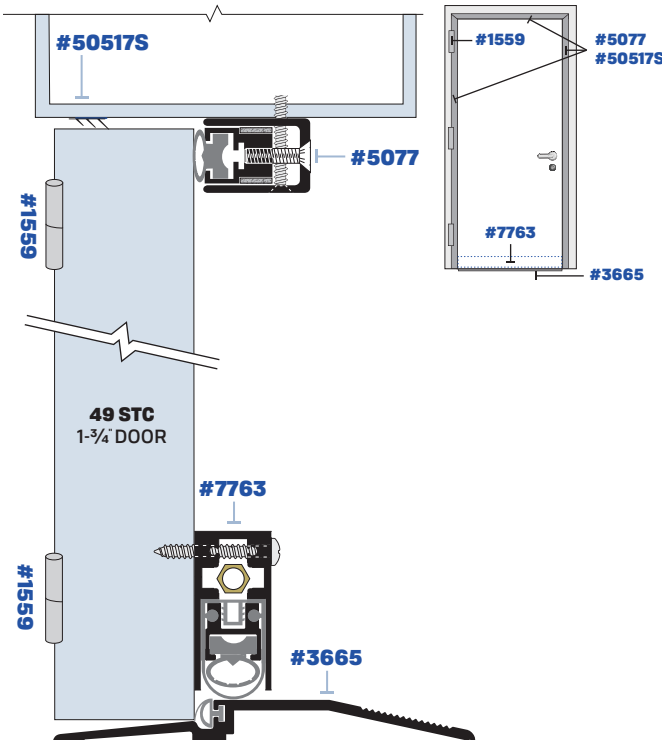
#6047STC 

47 STC



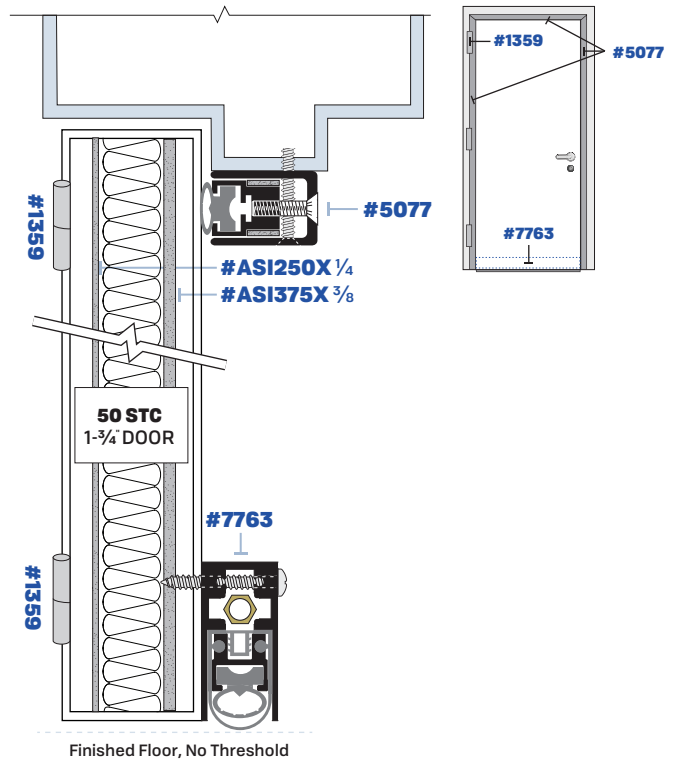
#6046STC 

46 STC

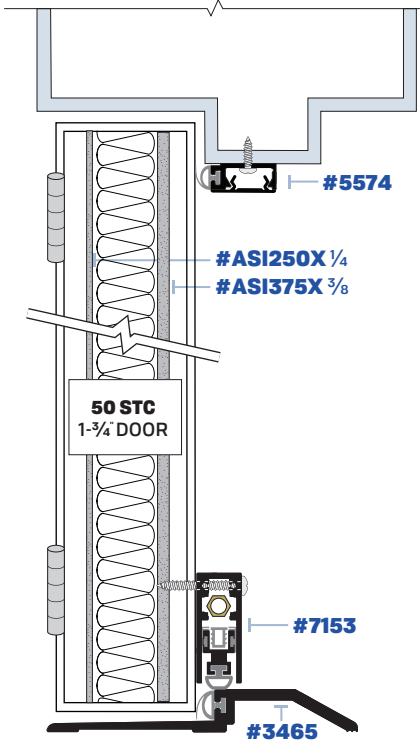


#6042STC 

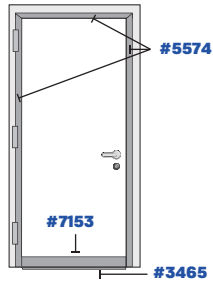
42 STC



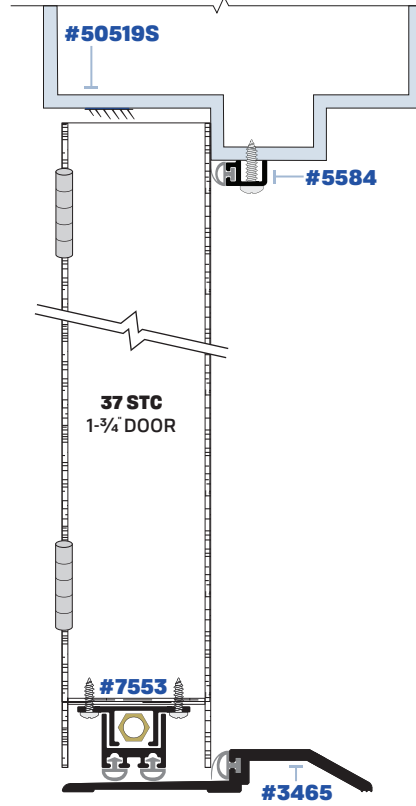
#6142STC



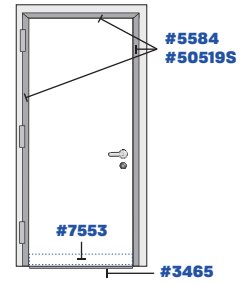
42 STC



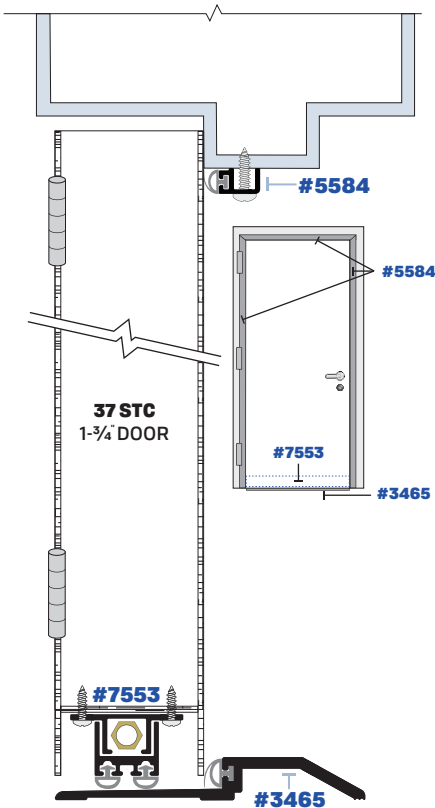
#6037STC



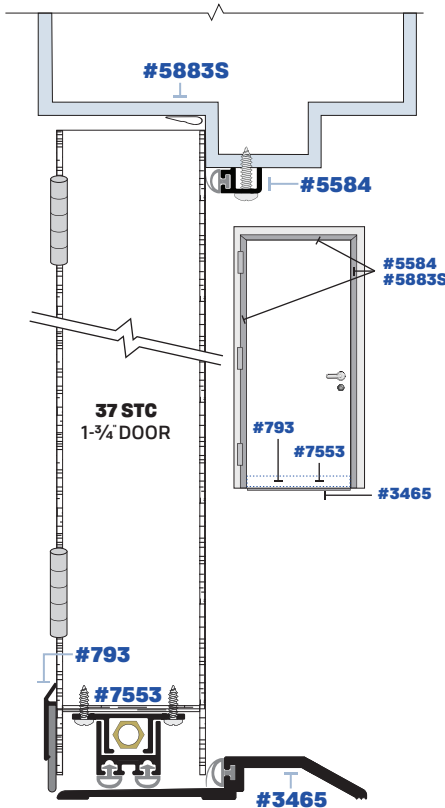
37 STC



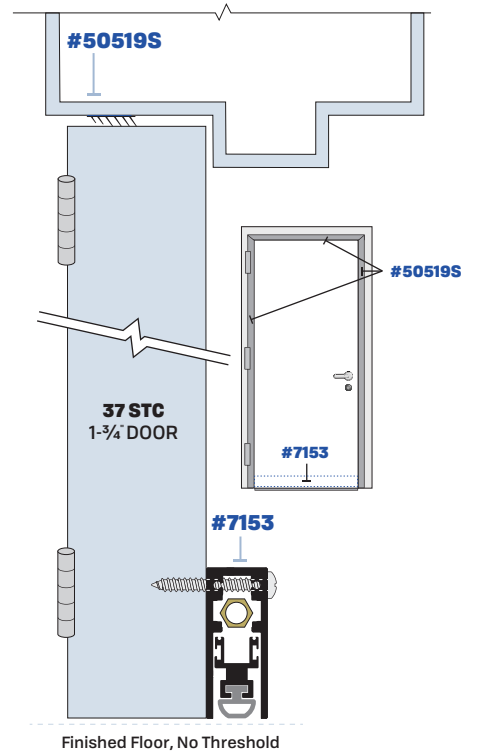
#6036STC 36 STC



#6136STC 36 STC

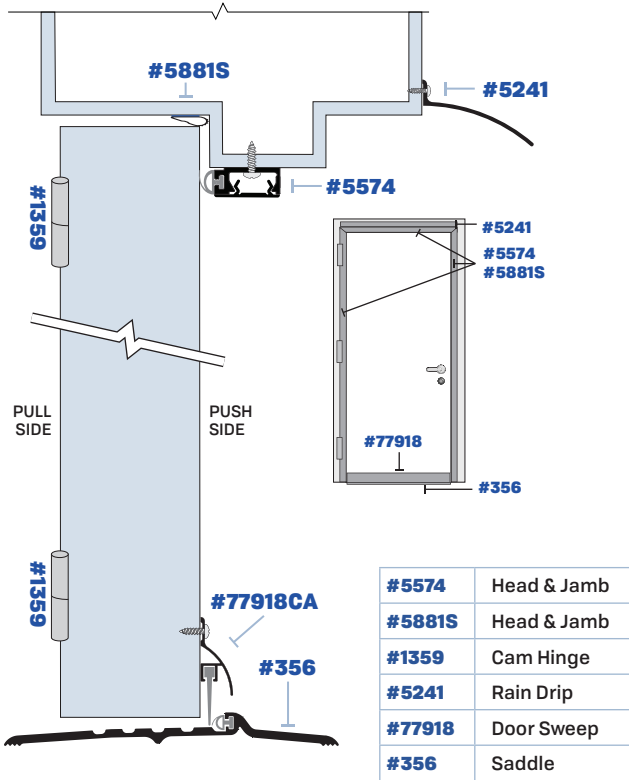


#6236STC 36 STC

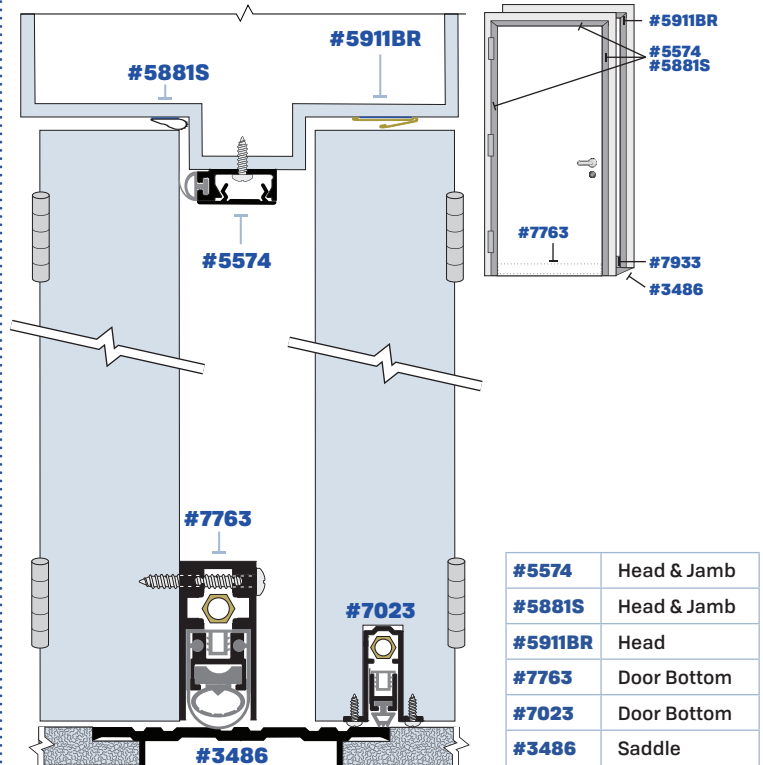


Specialty Solutions

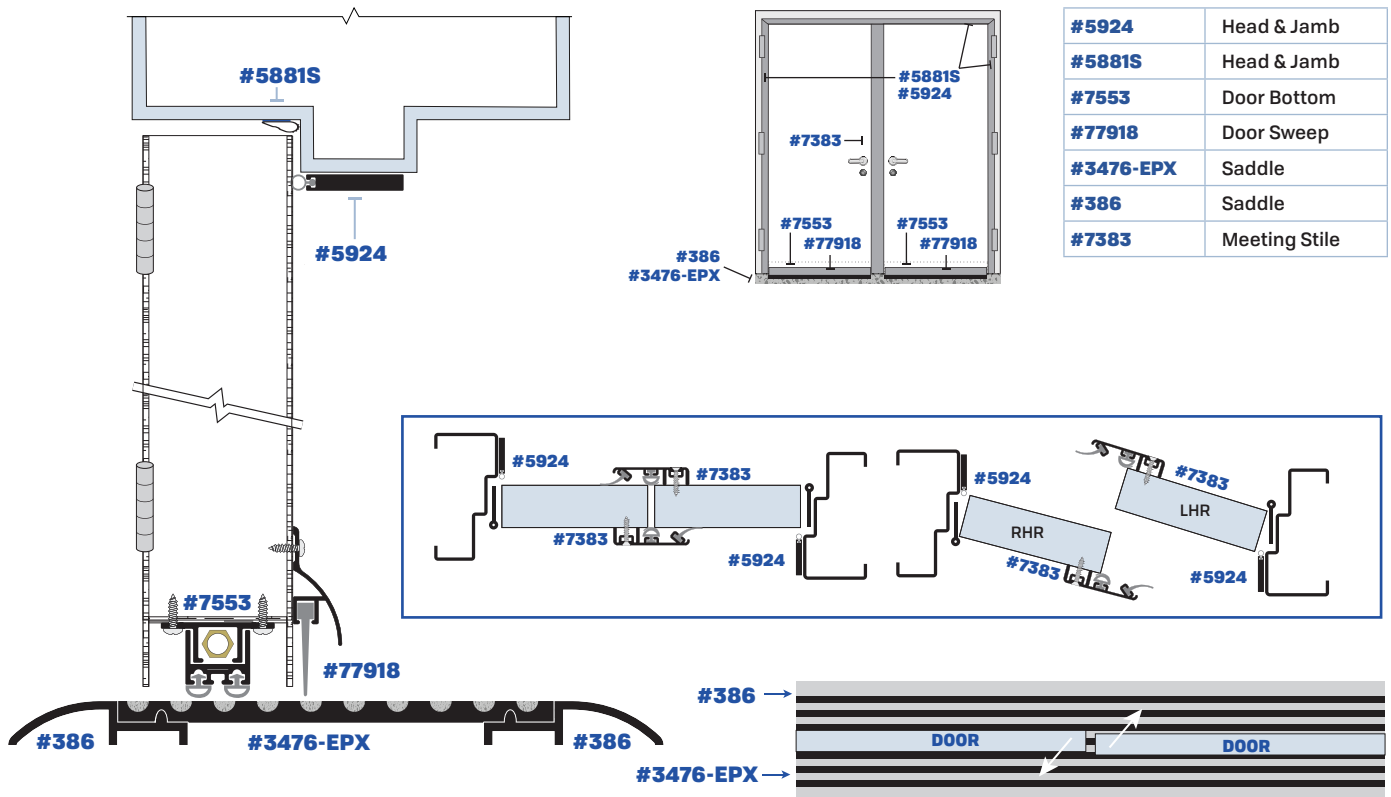
#6010 OUT-SWINGING SYSTEM



#6020 ACOUSTICAL COMMUNICATING SYSTEM

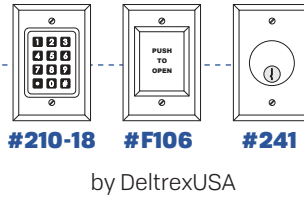
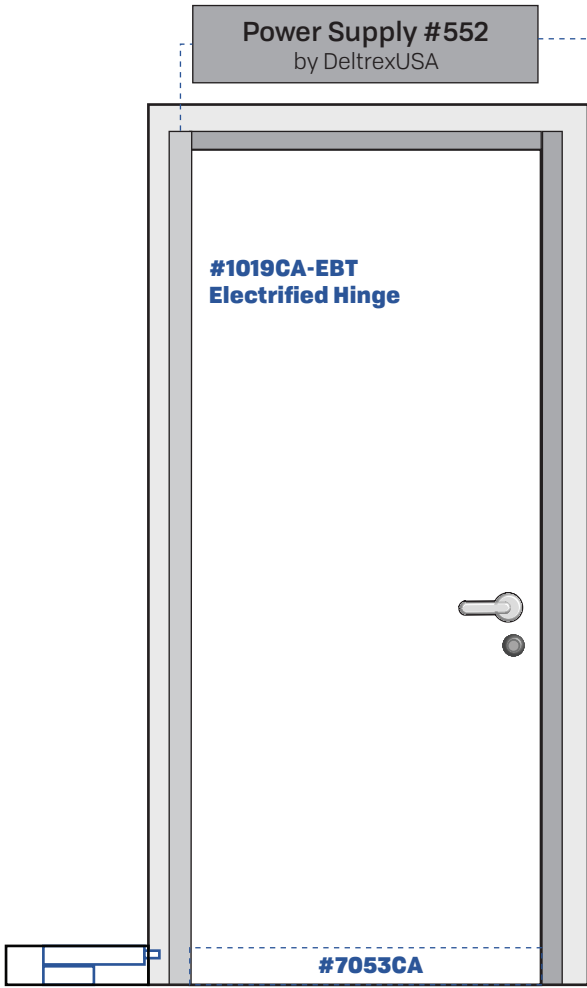


#6011 DOUBLE EGRESS PAIR OF DOORS SYSTEM (HOSPITAL & SCHOOLS)



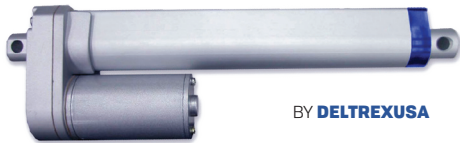
Specialty Solutions

#64EA AUTOMATIC DOOR BOTTOM ON STAND-BY



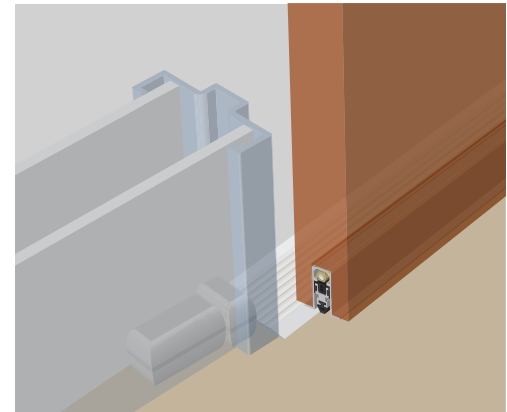
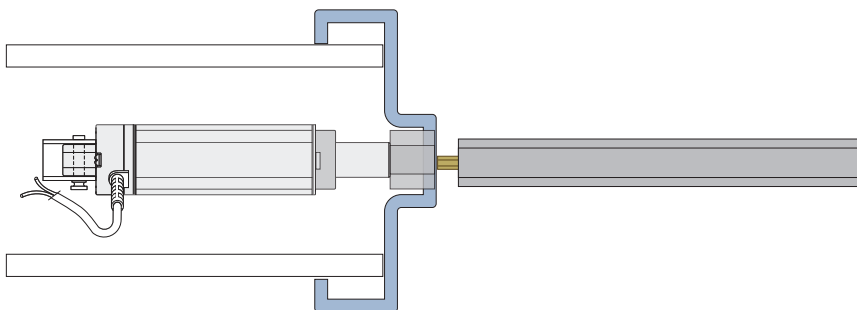
NOTES:

- Power Supply - Part #552
- Door Actuator Plate - Part #F106



Electrified door bottoms provide a practical solution for doorways to areas that need regular air flow but also require the door to seal during emergencies, such as a fire. Using a switch or push plate provided by Deltrex USA, the door bottom can be activated during such situations to provide a complete, airtight seal.

TOP DOWN VIEW



Specialty
 Solutions

Nitrile for Clean Rooms

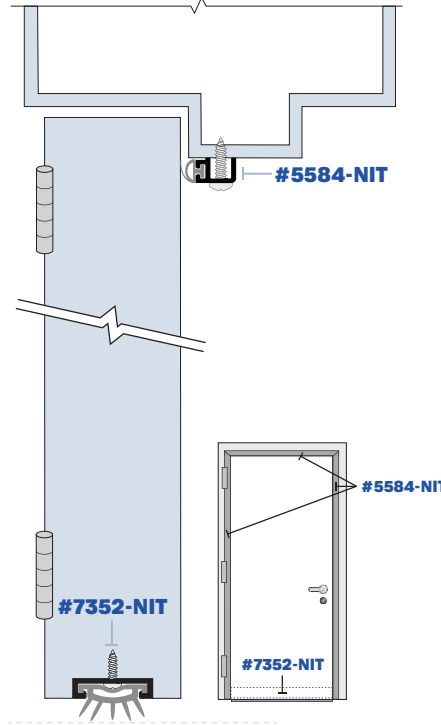
Nitrile rubber is a versatile addition to Legacy's arsenal of formulations for practical sealing solutions. Among its many benefits, nitrile rubber provides good compression set and tensile strength, and is resistant to heat, abrasion and moisture. Its resistance to gas permeability also makes it corrosion-resistant to a long list of chemicals.

Specifying nitrile rubber components can be useful for protecting sealing systems from extreme exposures to corrosive chemicals in medical and industrial applications.

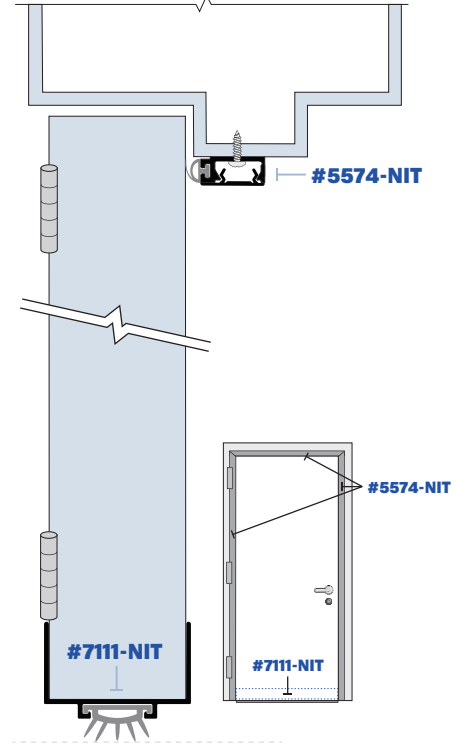
Specify NIT option to order nitrile rubber for these components.

| | |
|------------------|-------------|
| #5574-NIT | Head & Jamb |
| #5584-NIT | Head & Jamb |
| #7352-NIT | Door Sweep |
| #7351-NIT | Door Sweep |
| #7111-NIT | Door Sweep |

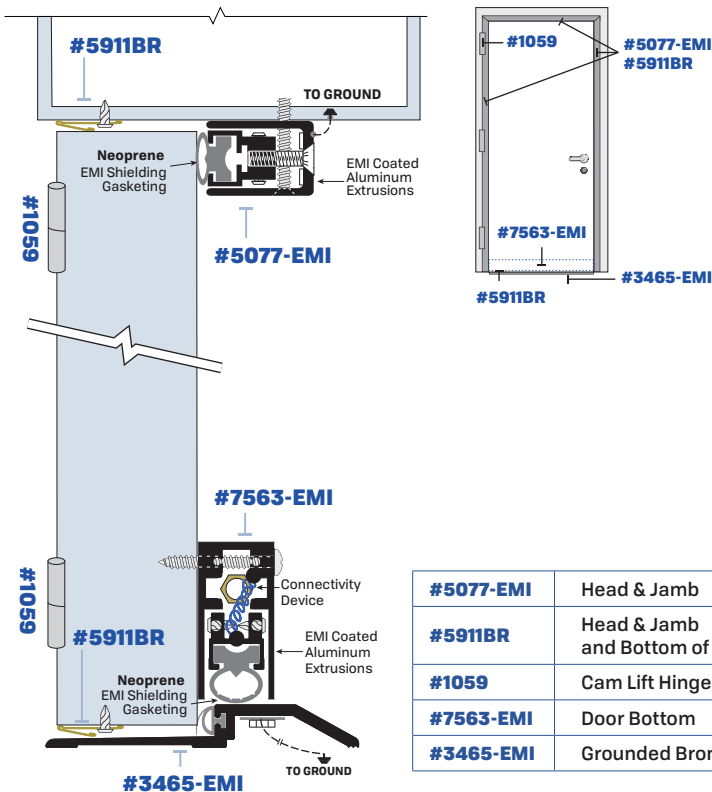
#6050NIT



#6051NIT



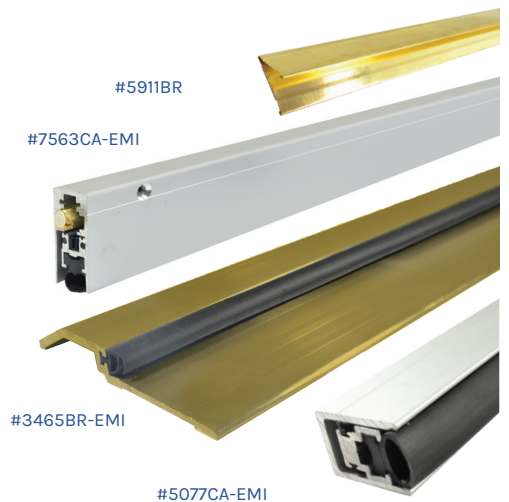
#6090EMI EMI/RFI SEALING SYSTEMS



| | |
|------------------|--------------------------------|
| #5077-EMI | Head & Jamb |
| #5911BR | Head & Jamb and Bottom of Door |
| #1059 | Cam Lift Hinge |
| #7563-EMI | Door Bottom |
| #3465-EMI | Grounded Bronze Threshold |

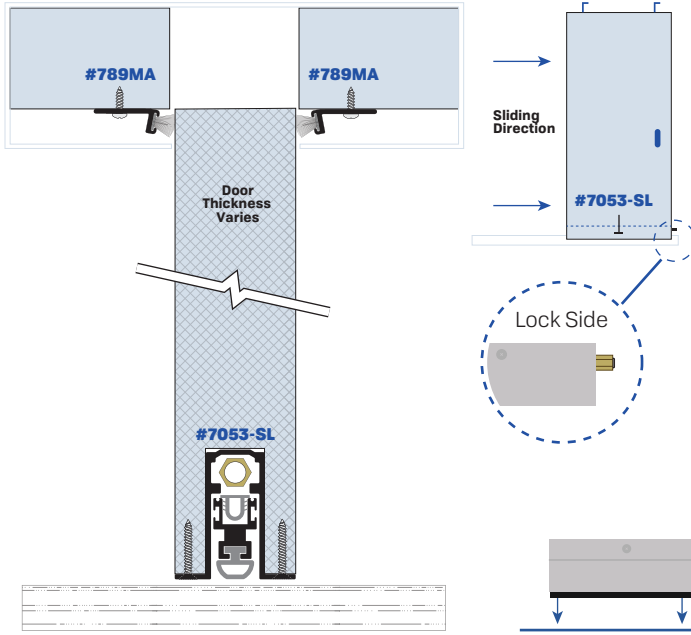
System #6090EMI is one solution available from Legacy for blocking electromagnetic and radio frequency interference in applications such as laboratories, hospitals, brokerage houses, embassies and other facilities using sensitive electronic equipment. We can provide specification assistance for configuring other systems for specific applications. Legacy also offers OEM consultation for developing similar systems.

The technology common to these systems provides uninterrupted electrical current to block EMI/RFI transmission. An iridate coating on the aluminum housings in Legacy EMI/RFI systems ensures maximum conductivity around the door gasketing, while solid carbon-filled neoprene rubber gaskets complete the electrical circuit. The #6090EMI system has adjustable features to help ensure a tight seal.



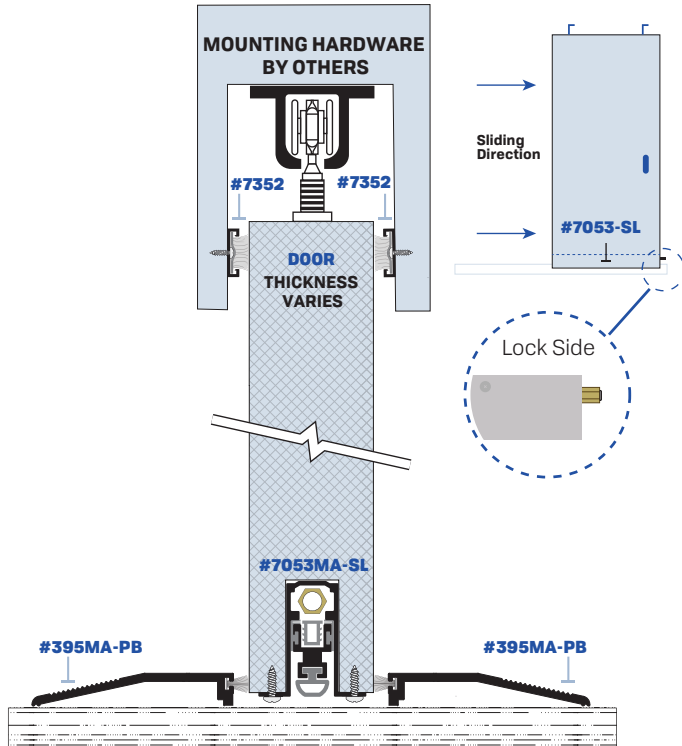
#6030 SLIDING DOOR SYSTEM

Legacy's patent pending automatic door bottom for the sliding door application has a unique low force activation mechanism which allows for more successful operations.

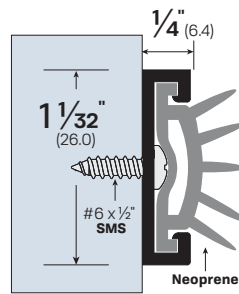


#6040 POCKET LATCH SYSTEM

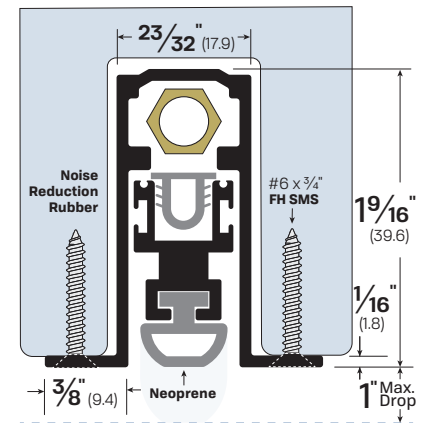
Legacy's patent pending automatic door bottom for the pocket latch application has a unique low force activation mechanism which allows for more successful operations.



#7352



#7053-SL

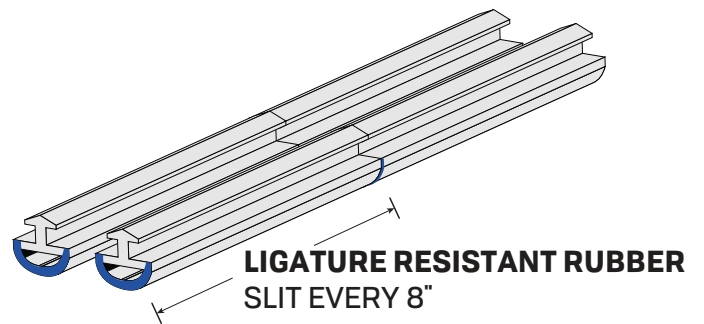
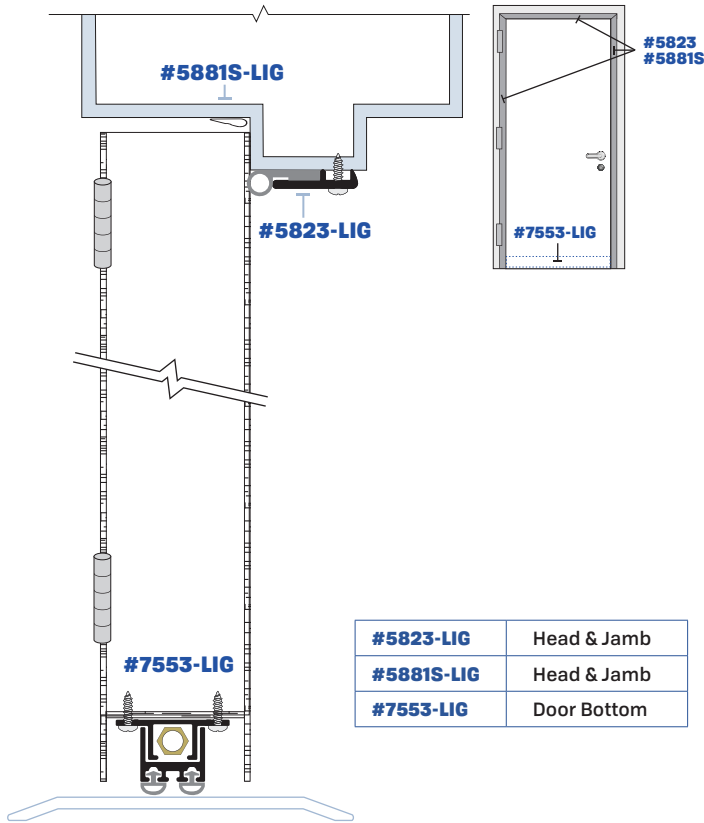


#395-PB



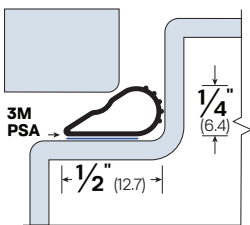
Specialty Solutions

#6060 LIGATURE RESISTANT SYSTEM

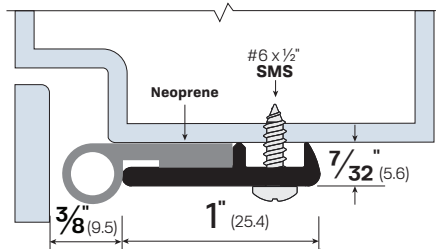


Gasketing is notched at 8-inch intervals so it will break into pieces if removed from extrusions or aluminum housing for any reason. Common applications are prisons and psychiatric facilities.

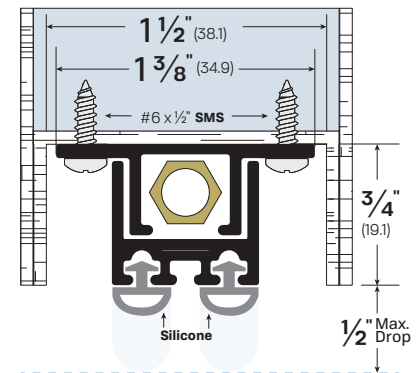
#5881S-LIG



#5823-LIG



#7553MA-LIG

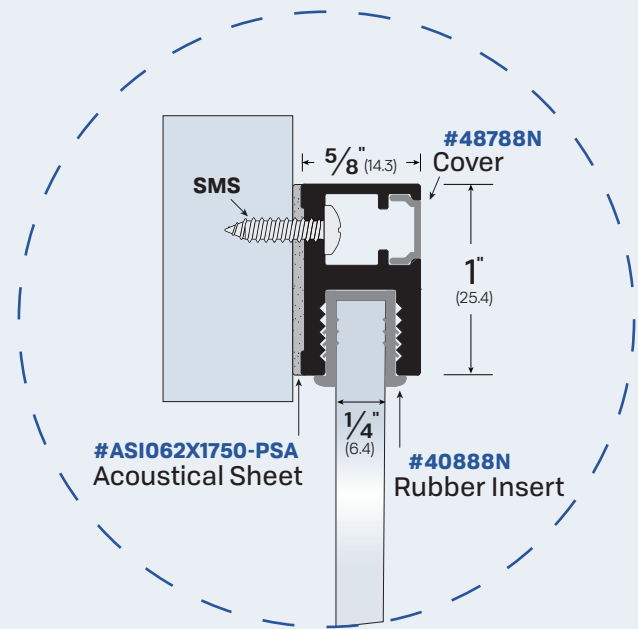
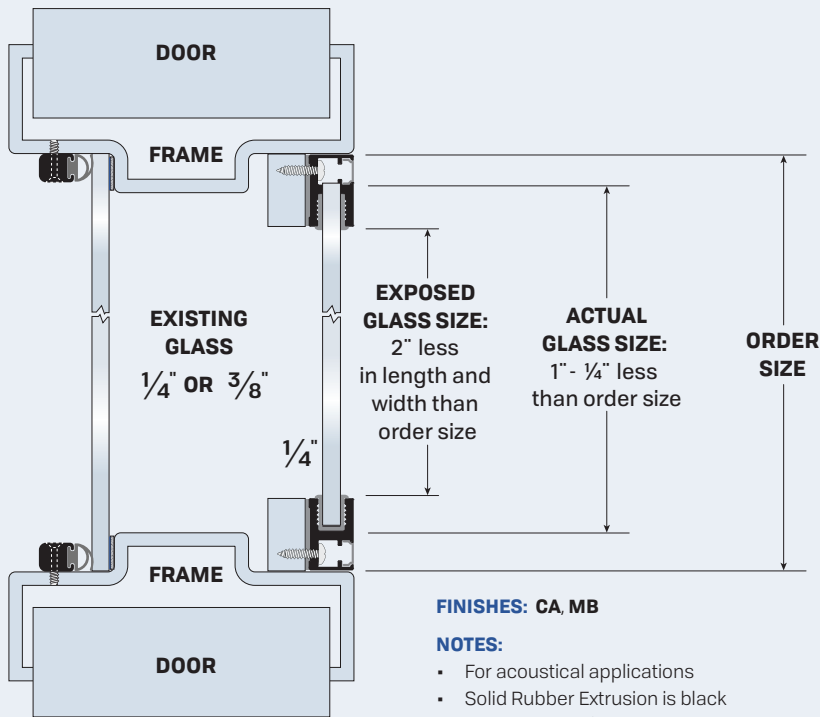


Ligature-resistant products are typically used in hospitals, psychiatric facilities and detention centers.



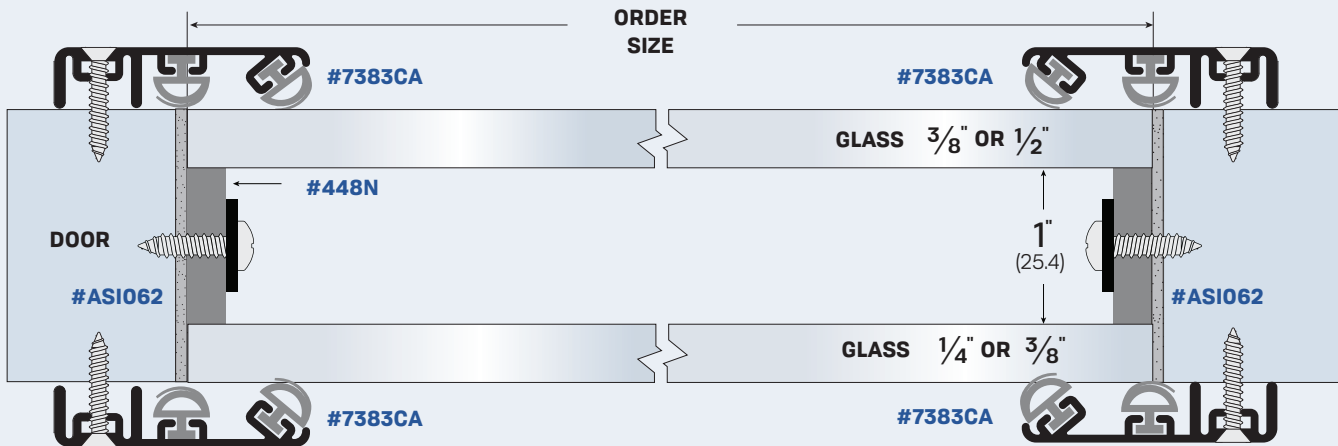
Specialty
 Solutions

#50888 ACOUSTICAL VISION (1-3/4" DOORS)



- FINISHES:** CA, MB
- NOTES:**
- For acoustical applications
 - Solid Rubber Extrusion is black
 - Snap-on security cover
 - Panhead screw #6 x 1/2" supplied

#6384 ACOUSTICAL VISION (2-1/8" DOORS OR GREATER)



- FINISHES:** CA, MB
- NOTES:**
- Please specify thickness of the door when ordering.
 - Acoustical Composite Sheet (ASI) by Legacy provides sound absorption between glass plates.
 - Glass plates with two different thicknesses required to minimize sound transmission.
 - Sound control performance on this opening may achieve up to 44STC.
 - Glass to be supplied by other manufacturers.
 - #7383 corners are standard mitered cut.

Specialty
Solutions

Acoustical Soundproofing Insulation (ASI)

Acoustical Soundproofing Insulation (ASI) is proprietary, special-purpose rubber material manufactured in sheet form – developed primarily for sound door OEM use as acoustical core to improve STC ratings. This lead-free, densely filled polyurethane rubber effectively blocks sound transmission while minimizing sound vibrations in the door itself for superior STC performance, without the weight and cost of conventional solid-lead acoustical linings.

Call our engineering department to discuss possible applications for your sound door program.

LEGACY ENGINEERING

Local: +1 (718) 292-5333

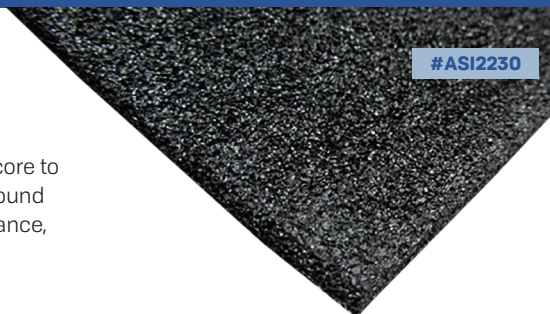
Toll Free: +1 (888) 383-3330

Its non-toxic, inert properties also make ASI suitable for a range of additional OEM applications, which we are available to discuss for possible collaboration.

MATERIALS / SPECIFICATIONS:

- Densely filled, solid pigmented, polyurethane rubber noise barrier providing both sound-absorbing and sound-deadening properties.
- Uses 100% natural fiber found in volcanic rocks.
- Non-toxic, inert and non-carcinogenic – no toxic reactions with air or water.
- Non-combustible and non-explosive with a high melting point and low smoke index – safe for use in most fire-rated applications.
- Biodegradable with a low carbon footprint.
- Frequently used in CLMD (constrained layer mass damping) applications, such as sound walls.
- Mold-resistant and mildew-resistant, and washable when used in exposed areas, such as restaurants, public spaces, temporary applications, hanging baffles, etc.

| | #ASI250X_ 1/4" | #ASI125X_ 1/8" |
|--------------|----------------|----------------|
| STC Rating | 28 | 24 |
| Deficiencies | 23 | 32 |
| OITC Rating | 24 | 19 |



Sound Transmission Coefficients

| Frequency | STC - 1/4" | STC - 1/8" |
|---------------------------|------------|------------|
| 125 Hz | 18 db | 14 db |
| 250 Hz | 20 db | 15 db |
| 500 Hz | 25 db | 20 db |
| 1000 Hz | 28 db | 23 db |
| 2000 Hz | 32 db | 37 db |
| 4000 Hz | 37 db | 33 db |
| Sound Transmission Class: | 28 | 24 |

| Physical Properties | #ASI250X_ - 1/4" Sheet | # ASI125X_ - 1/8" Sheet |
|---|---|---------------------------------------|
| Tensile Strength: | (Per ASTM D412-64) 375 lb./sq. in. | 105.32 lb./sq. in. |
| Elongation: | (Per ASTM D412-64) 113.2% | 160% |
| Tear Strength: | (Per ASTM D1004-66) 6.09 lb./in. | 6.09 lb./in. |
| Weight/ft. ²: | 1.337 lb./sq. ft. | 0.7106 lb./sq. ft. |
| Thickness: | Approximately 0.250" | Approximately 0.125" |
| Cold Crack: | (32°F) No crack when bent over 1" mandrel | No crack when bent over 1" mandrel |
| Flammability: | Passes MVSS #302 | Passes MVSS #302 |
| | UL94-SE "0" | UL94-SE "0" |
| | Classified as SE (Self Extinguishing) | Classified as SE (Self Extinguishing) |
| | No burn rate | No burn rate |
| Recommended Service Temperature: | 40°F - 140°F | 40°F - 140°F |
| Notes: | May be doubled for improved isolation | May be doubled for improved isolation |
| | Resistant to oil, grease, & solvent | Resistant to oil, grease, & solvent |

These results apply only to our test sample. Legacy will assist in developing samples and protocols for testing other materials on request.

Fire Protection Material for Special Order and OEM Applications

NOTES:

- Used in fire and acoustical applications.
- Available in custom length, width and thickness.
- Proprietary formulation -- environmentally safe, minimal carbon footprint.
- Standard black color. Red available as option—specify RD.
- Optional - Laminated to wood, aluminum, steel, or other solid materials.

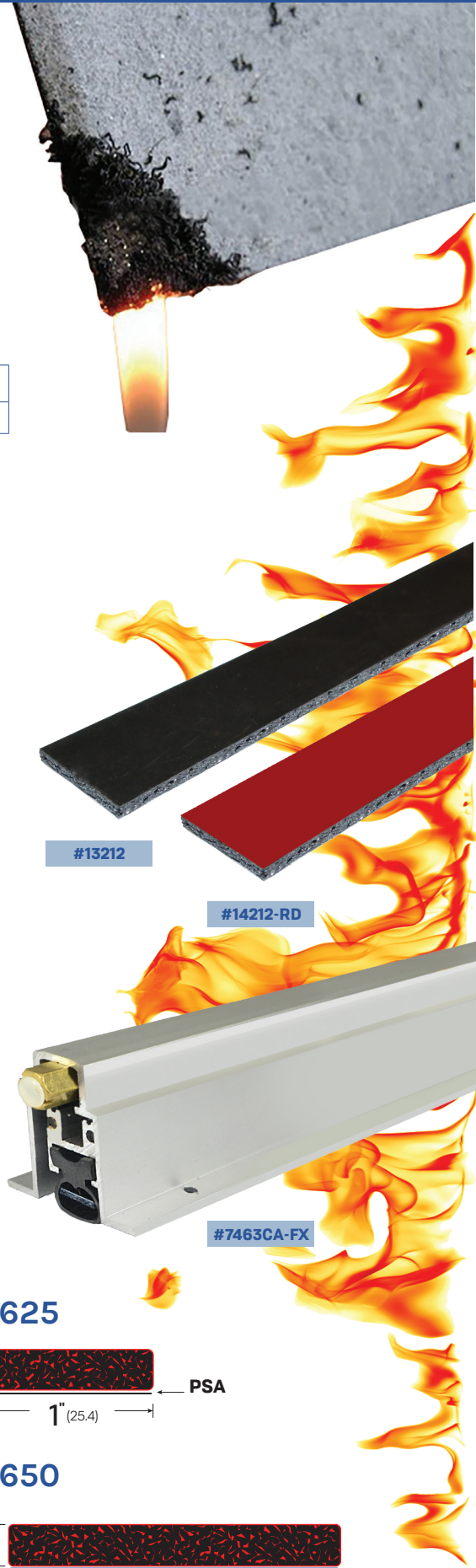
CUSTOM
MADE TO
ORDER ANY
LENGTH AND
COLOR

Call our Engineering Department to discuss your needs and available options.

LEGACY ENGINEERING

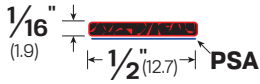
Local: +1 (718) 292-5333 Toll Free: +1 (888) 383-3330

| LEGACY | 13212 | 13219 | 13225 | 13244 | 13312 | 13319 | 13325 | 24625 | 24650 |
|--------|---------|---------|----------|----------|--------|---------|----------|----------|-------|
| ZERO | 3062500 | 3062750 | 30621000 | 30621750 | 312500 | 3125750 | 31251000 | 32501000 | - |



Type #3 (30X Expansion)

#13212



#13219



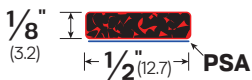
#13225



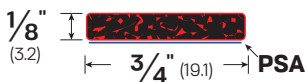
#13244



#13312



#13319

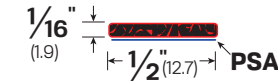


#13325

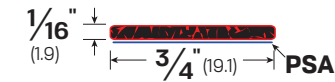


Type #4 (120X Expansion)

#14212



#14219



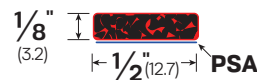
#14225



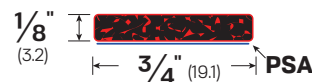
#14244



#14312



#14319



#14325



#24625



#24650



#13212

#14212-RD

#7463CA-FX

Specialty Solutions


Website
 RubberLLC.com

Address
 15650 Madison Road,
 Middlefield, OH 44062

Email
 Contact@RubberLLC.com

Phone
 Local: +1 (440) 632-5400
 Fax: +1 (888) 383-3330

Legacy Rubber is your one source for top-quality rubber extrusions in the shapes, colors, and lengths you need. We can help determine the best rubber or evaluate custom compounds for your application.

Legacy Rubber is located in the heart of the nation's primary rubber manufacturing region, Middlefield, Ohio. We produce highest-quality materials in both standard and customized formulations, and can supply virtually any kind of rubber, tinted to the color you need.

Available in both dense and sponge compounds, standard materials include: EPDM · natural rubber · nitrile · polyisoprene · SBR · silicone · neoprene.

Legacy rubber products are solving problems across a broad spectrum of industries, including:

- Agriculture
- Automotive
- Aviation
- Construction
- Equipment
- Food
- HVAC
- Industrial
- Marine
- Pharmaceutical
- Renewable Energy
- Window & Door



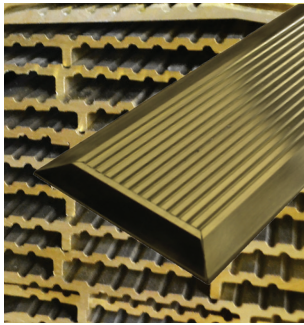
The machine line in our Middlefield, Ohio Facility.

UNIQUE BENEFITS FOR OUR OEM PARTNERS

- Our state-of-the art equipment includes digital controls that maintain very close tolerances for optimizing conformance of custom-made dies to their blueprints, along with providing consistent, accurate extrusions.
- Extrusion capabilities include: standard and custom shapes and profiles, seals, weatherstripping and rubber straps.
- Our continuous cure technology permits long-run extrusions of virtually any length—for example, O-rings in continuous stock to lengths of 1,000 feet and longer.
- 100% U.S. sourcing eliminates the variables of international supply and deliveries. On-time delivery is standard at Legacy Rubber.



Materials



Aluminum (CA) (DB) (MA)

Aluminum shapes by Legacy are extruded in a mill finish. Parts are available in mill finish, dark bronze anodized, and clear anodized (204R1 clear). Legacy uses a 6063 alloy with a hardness between T5 and T6.

Bronze (BR)

Architectural Bronze shapes by Legacy are extruded in brass alloy #380. This alloy has the following breakdown: 57.5% copper, 41% zinc, 1.3% lead, and 0.2% aluminum. Legacy's bronze products are provided in a standard mill finish. However, Legacy also offers a variety of bronze finish options such as polishing and oil-rubbing. Over time, the gold color bronze that Legacy provides will oxidize to a dark bronze. Legacy also has roll-formed spring bronze. This product is about 90% copper and 10% zinc. Most commonly used in part 5911BR.

Neoprene (N) (SPR)

Legacy Manufacturing extrudes our own neoprene at our Ohio facility. Neoprene is provided in two different forms: Closed-Cell Extruded Sponge Rubber (SPR) and Solid Extruded Rubber (N). Because of the chemical composition of neoprene, the product can only be extruded in a black color. The primary chemical that limits the color of neoprene is chlorine, which is required in Legacy's products for fire-rating purposes. Technical data is provided on request. Neoprene generally has a tensile strength up to 3000 PSI, with a hardness range is between 40-50 (Shore A), and provides excellent adhesion to both aluminum and bronze. Neoprene is superior to vinyl for its tear resistance and resilience under temperature changes.

Silicone (S)

Also produced at our Ohio facility, Legacy's silicone can be extruded in a variety of colors including white, blue, green, grey, brown, black, and clear. Silicone has excellent resistance to oxidation, heat, cold, and water absorption. Silicone should not be used in areas that have concentrated exposure to chemicals and acids.

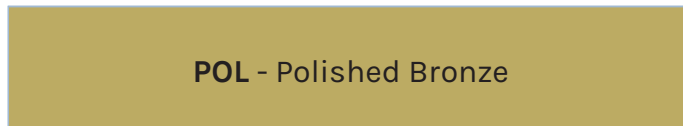
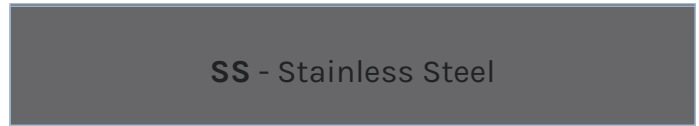
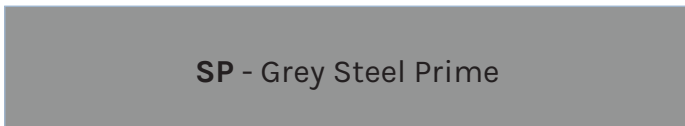
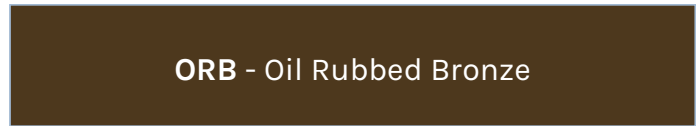
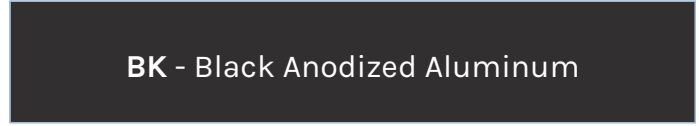
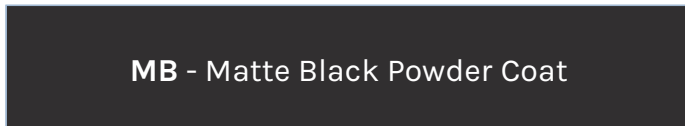
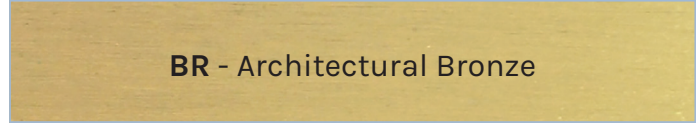
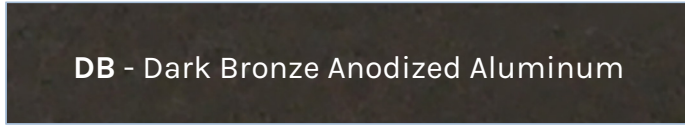
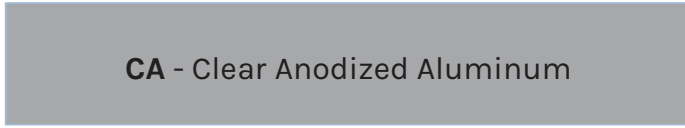
Polypropylene Brush (PB)

Pile Brush inserts are used in a variety of applications and mostly for interior openings. The brush consists a polypropylene fiber that is mechanically fastened to a plastic backing. Custom brushes are also available depending on customer specifications. Fibers are generally flexible.

Fasteners (SMS) (FA)

Standard threaded-to-the-head sheet metal screws are supplied for all head and jamb gasketing material. Legacy has a variety of options for the screw head including Phillips, slotted, truss, pan, and flat head. Flat head screws are generally provided for threshold applications. We also offer a wide range of anchors that can be used with these screws. (See page 27 for available anchors.)

Finishes



Aluminum

| | | | |
|----------------------|---------------|------|----|
| Mill Finish | ANSI/BHMA 719 | US27 | MA |
| Anodized Aluminum | ANSI/BHMA 628 | US28 | CA |
| Dark Bronze | - | - | DB |
| Powder-Coated Colors | SEE ABOVE | - | - |

Architectural Bronze

| | | | |
|--------------|---------------|-------|-----|
| Satin Finish | ANSI/BHMA 728 | US4 | BR |
| Oil-Rubbed | ANSI/BHMA 722 | US10B | ORB |
| Polished | ANSI/BHMA 721 | US3 | POL |

Stainless Steel

| | | | |
|--------------|---------------|-------|------------|
| Mill Finish | - | - | SS |
| Brushed (#4) | ANSI/BHMA 630 | US32D | SS-Brushed |
| Polished | ANSI/BHMA 629 | US32 | SS-POL |

SPECIFIABLE OPTIONS – Legacy's Signature Advantage for Specifiers

While we are recognized and applauded for our unique capabilities and appetite for customization, it is Legacy's unequalled range of standard features and options that puts the power of ultimate flexibility in the hands of the specifier. The options listed in this catalog are explained in more detail below.

| | | |
|----------------|---|---|
| ACF | Aluminum Composite Filler -- for Thresholds | Strengthens and reinforces thresholds to prevent bending or crushing under high-traffic and heavyweight use in schools, industrial and manufacturing plants, and other high-stress applications. |
| AIR | Air Flow -- for Door Sweeps | Double rows of notched and staggered neoprene seals allow free flow of air while still blocking light at the bottom of the door. |
| Blank | No option specified | Standard features apply (if any). |
| CE | Concealed Electric -- for Hinges | 26-gauge wires for buzzers, alarms and other electrified hardware mounted in a removable hinge section for easy access if needed. Specify up to 12 wires. |
| EA | Electrical Actuator -- for Automatic Door Bottoms | Allows electronic activation of door opening hardware (i.e., pushbutton, key pad or card reader) using a mortised motor. Motor and casing are provided for wiring by installer. Not available elsewhere. |
| EMI/RFI | Electromagnetic/ Radio Frequency Interference Blocking | An iridate coating on aluminum housings and solid carbon-filled neoprene rubber gaskets ensure maximum electrical conductivity for blocking both electromagnetic and radio frequency interference in applications such as laboratories, hospitals, brokerage houses, embassies and other facilities using sensitive electronic equipment. (See p.85 for details.) |
| EP | Extended Plunger -- for Automatic Door Bottoms | 50 mm brass hex nut (versus standard 30 mm) helps compensate for excessive gap between the door and frame. |
| EPT | Electrical Power Transfer Cut-Out -- for Hinges | Notches cut out on both sides of the continuous hinge accommodate installation of a power transfer unit without interfering with hinge operation. Specify handing and cut-out dimensions when ordering. |
| EPX | Epoxy Abrasive -- for Thresholds | Non-slip abrasive epoxy is chemically applied to the grooves of the threshold for improved strength and grip. |
| FL | Fire Label | Available for products with published fire ratings. When properly applied, fire labels are visible and legible to meet inspection requirements. |
| FOAM | Foam -- for Perimeter Seals | Acoustical foam insert for additional sound-blocking density. |
| FX | Integral Intumescent | Where offered, this option allows adding Legacy's proprietary intumescent material to products where it is not already integrated as standard design. Useful for fire applications to ensure effective sealing of all gaps. |
| HD | Heavy Duty -- for Hinges | Specify for high-traffic and heavy doors up to 475 lbs. Hinge cut-out differs from standard to support roughly double the usual number of bearings. Call our Engineering Department for guidance on your specific application. (For example, 83" door height/ 32 bearings supplied; 95"/ 36 bearings; 107"/ 42 bearings. Other heights can also be accommodated.) |
| HT | Hospital Tip -- for Hinges | Sloped barrel end on hinge top simplifies cleaning and helps prevent insertion of foreign items that might cause harm. Ideal for security doorways in prisons; hospitals and mental health facilities; and clean rooms. |
| LA | Lead Anchor Fastener | Lead anchors for use with standard #10 screws |
| LIG | Ligature Resistant | Notching silicone or neoprene seal at 8-inch intervals ensures that gasketing will break into pieces if removed from extrusions or aluminum housing for any reason. Common applications are prisons and psychiatric facilities. |
| LL | Lead Lined | Integrates lead into parts for lead-lined openings, primarily used for x-ray protection. |

| | | |
|--------------|---|---|
| LS | Light Spring -- for Automatic Door Bottoms | Allows lower operating force to for compliance with ADA requirements when integrated with appropriate head and jamb components. |
| NH | No Holes | Specify to omit standard mounting holes. |
| NIT | Nitrile Extrusion | Extruded rubber in nitrile formulation for protection from corrosive chemical exposures in medical and industrial applications. (See p.85 for details.) |
| ORB | Oil-Rubbed Bronze | Specify for standard architectural bronze components to be provided with BHMA US10b finish. |
| PB-BK | Black Pile Brush | |
| PB-GY | Grey Pile Brush | |
| PB-WH | White Pile Brush | |
| PEPX | Photoluminescent Epoxy Abrasive -- for Thresholds | Specify for compliance with NYC Building Code Standard RS 6-1/1A and IBC 2000 requirements for photoluminescent stairwell and exit path markings. Threshold grooves are filled with a proprietary photoluminescent epoxy that emits luminescence after charging by exposure to ambient light. |
| POL | Polished Bronze | Specify for standard architectural bronze components to be provided with BHMA US3 finish. |
| PSA | Pressure Sensitive Adhesive | Industry-leading 3M tape is supplied for highest-quality pressure-sensitive adhesive. |
| PULL | Pull -- for Automatic Door Bottoms | Removable end cap allows removing the door bottom insert for cleaning or repair while housing remains mounted to the in-place door. Ideal for hospitals, schools, hotels and other applications with high standards for cleanliness. |
| PV | Pivot Doors -- for Automatic Door Bottoms | The larger gap between door edge and frame in pivot door requires a different mechanism and extended brass hex nut for efficient seal drop. |
| RS | Ribbon Switch -- for Perimeter Seals | Mounted to the inside of gasketing to allow integration of switch-operated access-control hardware. |
| RUB | Rubber Grip -- for Thresholds | Typically used for interior applications. In place of conventional rubber inserts, our unique process chemically applies non-slip rubber to threshold grooves for enhanced grip and strength. |
| SF | Security Fasteners | Tamperproof Torx screws are provided. |
| SL | Sliding Doors -- for Automatic Door Bottoms | In place of a conventional spring for latching, a light spring is included for easier activation when the sliding door is closed. Automatic door bottoms specified with this option drop evenly against the floor. |
| SLC | Strike Lip Cut -- for Overlapping Astragals | For pairs of doors with one active and one inactive leaf. A cutout in the astragal accommodates a typical strike with exposed lip in the overlapping astragal. |
| ST | School Tip -- for Hinges | To prevent insertion of foreign objects that might impede hinge operation or damage gears, bearing plugs are mounted flush with the top and bottom openings of the hinge. |
| S-WH | White Silicone | Specify white silicone to replace standard black silicone. |
| TD | Top Door Installation -- for Automatic Door Bottoms | Suitable for maximum 3/8" clearances, mounting this hardware at the top of the door is a useful option for closing gaps for mortised sound control or other applications while maintaining the aesthetics of no exposed hardware. |

Product Symbols



Acoustic



ADA Accessible



EMI / RFI



FEMA Compliant



Fire



Non-Slip



Smoke

Regulatory Standards

Fire Rated



UL10B Standard for Fire Tests of Door Assemblies

UL10C Standard for Positive Pressure Fire Test of Doors

UBC 43-2 Fire Test of Door Assemblies

UBC 7-2-97 PART I Fire Test Standard for Swinging Fire Doors

CAN / ULC S104

ASTM E152 Method of Fire Test of Door Assemblies

ASTM E2074 Standard Test Method for Fire Tests of Door Assemblies, including Positive Pressure Testing of Side Hinged and Pivoted Swinging Door Assemblies

IBC 2009 International Building Code

NFPA 80 Standard for Fire Doors and Fire Windows

NFPA 101 Life Safety Code

NFPA 105 Recommended Practice for the Installation of Smoke and Draft Control Door Assemblies

NFPA 252 Standard Method of Fire Tests of Door Assemblies SDI 118 Basic Fire Door Requirements

FEMA Compliant



FEMA Technical Bulletin 3-93 Non-Residential Flood-proofing

FEMA Flood-proofing Non-Residential Structures #102

FEMA P-259 Engineering Design and Principles

Smoke



UL1784 Standard for Air Leakage Tests of Door Assemblies

IBC 2009 International Building Code

UBC 7-2-97 PART II Method of Smoke and Draft Control Tests of Door Assemblies

Acoustic



Acoustical ratings are achieved by OEM testing using specific door assembly configurations. See our acoustical section located on pages 67 for more detailed STC ratings.

ADA Accessible



ADAAG-1998

ICC/ANSI A117.1-1998 Standard for Accessible and Usable Buildings and Facilities

IBC 2009 International Building Code

Non-Slip Surface



ASTM F-609 Standard for Safety for Slip Resistance of Floor Surface

MIL-D 23003 A Deck Covering Compound, Non-Slip, Rollable

UL 410 Standard for Safety for Slip Resistance of Floor Surface

Electromagnetic / Radio Frequency Interference



EMI testing is achieved by testing against standards of **MIL-STD-285** and **NSA 73-2A**. We are happy to work directly with you and your opening to achieve positive results.

MIL-STD-285 Attenuation measurement for enclosures, electromagnetic shielding

NSA 73-2A Performed for electric field attenuation over the frequency range 10 MHz to 1 GHz

N - Neoprene
 NB - Nylon Brush
 PB - Pile Brush
 SPR - Sponge Rubber



Replacement Part List

These inserts can be ordered separately, Specify insert #, Color and Length. Example Order: #4378S-BK-17 FT

N - Neoprene
 SPR - Sponge Rubber

NB - Nylon Brush
 PB - Pile Brush

| Part # | Insert # | Colors |
|--------|----------|--------|
| 115 | 415N | BK |
| 313 | 4674N | BK |
| 356 | 4075N | BK |
| 395 | 4684N | BK |
| 501 | 4684N | BK, WH |
| 513 | 4078S | BK, WH |
| 523 | 443PB | BK, GY |
| 533 | 4378S | BK, WH |
| 589 | 443PB | BK, GY |
| 599 | 4078S | BK, WH |
| 714 | 413PB | GY |
| 715 | 414N | BK |
| 718 | 44918NB | BK |
| 733 | 4378S | BK, WH |
| 735 | 435N | BK |
| 739 | 439N | BK |
| 743 | 443PB | BK, GY |
| 759 | 459N | BK |
| 763 | 434N | BK |
| 769 | 469NB | BK |
| 779 | 4383N | BK |
| 789 | 443PB | BK, GY |
| 793 | 4935N | BK |
| 799 | 4078S | BK, WH |
| 1179 | 4179BIO | WH |
| 1279 | 4279BIO | WH |
| 1379 | 4379BIO | WH |
| 1479 | 4479BIO | WH |
| 2275 | 4413SPR | BK |
| 2277 | 4413SPR | BK |
| 3291 | 4684N | BK |
| 3425 | 4684N | BK |
| 3465 | 4684N | BK |
| 3565 | 4684N | BK |
| 3574 | 4674S | BK, WH |
| 3665 | 4565N | BK |
| 3812 | 4684N | BK |
| 3912 | 4684N | BK |
| 3942 | 4674N | BK |
| 5001 | 4378S | BK, WH |
| 5027 | 47205N | BK |
| 5028 | 47205N | BK |
| 5029 | 47205N | BK |
| 5041 | 4813SPR | BK |
| 5071 | 4363SPR | BK |
| 5072 | 4363SPR | BK |
| 5075 | 4075N | BK, WH |
| 5077 | 4077N | BK |
| 5078 | 4078S | BK, WH |
| 5127 | 47205N | BK |
| 5128 | 47205N | BK |
| 5129 | 47205N | BK |
| 5175 | 423PB | BK, GY |
| 5178 | 443PB | BK, GY |
| 5217 | 4078S | BK, WH |
| 5272 | 4563N | BK |

| Part # | Insert # | Colors |
|--------|------------------|--------|
| 5378 | 4378S | BK, WH |
| 5413 | 4413N or 4413SPR | BK |
| 5552 | 443PB | BK, GY |
| 5555 | 4378S | BK, WH |
| 5574 | 4674S | BK, WH |
| 5583 | 413PB | GY |
| 5584 | 4674N | BK |
| 5623 | 4623N | BK |
| 5823 | 4823N | BK |
| 5873 | 413PB | GY |
| 5874 | 4674N | BK |
| 5924 | 4338N | BK |
| 5974 | 4674N | BK |
| 7001 | 4378S | BK, WH |
| 7011 | 4452PB | BK, WH |
| 7023 | 4023N | BK |
| 7041 | 4813SPR | BK |
| 7053 | 4053N | BK |
| 7061 | 4363SPR | BK |
| 7063 | 4363SPR | BK |
| 7075 | 4075N | BK |
| 7078 | 4078S | BK, WH |
| 7093 | 4363SPR | BK |
| 7111 | 4351N | BK |
| 7112 | 4552N | BK |
| 7115 | 4115N | BK |
| 7115 | 4115N | BK |
| 7123 | 4023N | BK |
| 7153 | 4053N | BK |
| 7175 | 413PB | GY |
| 7178 | 443PB | GY, BK |
| 7178 | 443PB | BK, GY |
| 7183 | 4383N | BK |
| 7253 | 4053N | BK |
| 7263 | 4363SPR | BK |
| 7275 | 423PB | BK, GY |
| 7283 | 4383N | BK |
| 7323 | 4023N | BK |
| 7331 | 4075NB | BK |
| 7351 | 4351N | BK |
| 7352 | 4452PB | BK, WH |
| 7378 | 4378S | BK, WH |
| 7383 | 4383N, 4674N | BK |
| 7431 | 44918N | BK |
| 7451 | 4452PB | BK, WH |
| 7452 | 4351N | BK |
| 7463 | 4563N | BK |
| 7483 | 4483SPR, 4383N | BK |
| 7552 | 423PB | GY, BK |
| 7552 | 443PB | BK, GY |
| 7553 | 4075N | BK |
| 7563 | 4563N | BK |
| 7574 | 4674S | BK, WH |
| 7583 | 4383N | BK |
| 7583 | 4383N | BK |
| 7593 | 4563N | BK |

| Part # | Insert # | Colors |
|--------|----------------|--------|
| 7623 | 4623N | BK |
| 7623 | 4623N | BK |
| 7663 | 4563N | BK |
| 7731 | 423PB | BK, GY |
| 7752 | 4552N | BK |
| 7763 | 4563N, 4763N | BK |
| 7774 | 4383N | BK |
| 7793 | 4563N, 4763N | BK |
| 7823 | 4823N | BK |
| 7831 | 423PB | BK, GY |
| 7835 | 4835N | BK |
| 7836 | 4933N | BK |
| 7852 | 4552N | BK |
| 7863 | 4563N, 4763N | BK |
| 7923 | 405N | BK |
| 7933 | 4935N | BK |
| 7933 | 4935N | BK |
| 7936 | 4936N | BK |
| 7963 | 4563N, 4763N | BK |
| 7974 | 413PB | GY |
| 50777 | 40777S, 4684S | BK, WH |
| 50888 | 48788N, 40888N | BK |
| 51888 | 41888N | BK |
| 52888 | 42888SPR | BK |
| 53038 | 4338N | BK |
| 70481 | 5248SPR | BK |
| 71518 | 47918N | BK |
| 71553 | 434N | BK |
| 71918 | 47918N | BK |
| 72553 | 4075NB | BK |
| 72918 | 48918NB | BK |
| 72918 | 48918NB | BK |
| 73918 | 43918NB | BK |
| 73918 | 43918NB | BK |
| 74453 | 4075NB | BK |
| 74918 | 44918N | BK |
| 74918 | 44918N | BK |
| 76453 | 77918N | BK |
| 77319 | 47319N | BK |
| 77918 | 47918N | BK |
| 78918 | 48918NB | BK |
| 79418 | 48918NB | BK |
| 7W933 | 4933N | BK |



| Part # | Page # | Part # | Page # | Part # | Page # | Part # | Page # |
|---------|-------------|---------|-------------|--------|----------------------------|---------|----------|
| 1 | 70,73 | 395 | 86 | 3012 | 36 | 3712 | 36 |
| 1S | 47 | 398N | 29 | 3028 | 38 | 3741 | 34 |
| 2 | 71,73 | 413PB | 48 | 3031 | 29 | 3745 | 30 |
| 2C | 73 | 416C | 72 | 3106EJ | 42 | 3756 | 31 |
| 2CH | 71,73 | 423PB | 48,66 | 3143 | 35 | 3761 | 43 |
| 2S | 47 | 443PB | 48 | 3144 | 35 | 3762 | 40 |
| 3 | 71,73 | 448N | 88 | 3145 | 35 | 3776 | 29 |
| 3C | 73 | 501 | 53 | 3148 | 39 | 3812 | 36 |
| 3CH | 70,73 | 513 | 49,54 | 3221N | 44 | 3815N | 28 |
| 3S | 47 | 523 | 54 | 3225N | 44 | 3841 | 34 |
| 4C | 73 | 533 | 54 | 3232 | 37 | 3845 | 28,30 |
| 4CH | 71,73 | 545DP | 9 | 3276 | 27,28,29,41 | 3846 | 83 |
| 4S | 47 | 589 | 49,56,86 | 3291 | 33 | 3856 | 31 |
| 5CH | 73 | 599 | 56 | 3292 | 33,40 | 3861 | 29,43 |
| 5S | 47 | 711 | 25 | 3325 | 32 | 3862 | 28,29,41 |
| 6 | 73 | 712 | 25 | 3332 | 37 | 3876 | 29 |
| 6S | 47 | 714 | 63 | 3376 | 26,28,29,41 | 3904 | 32 |
| 7 | 71,73 | 715 | 63 | 3425 | 32 | 3905 | 32 |
| 7S | 47,72 | 718 | 19 | 3432 | 37 | 3912 | 36 |
| 7Z | 70 | 732 | 72 | 3441 | 34 | 3928 | 38 |
| 8 | 71,72 | 733 | 62 | 3445 | 3,30 | 3931 | 29 |
| 8C | 72 | 734 | 65 | 3456 | 27,31 | 3934 | 38 |
| 21 | 72 | 735 | 21,58,62 | 3461 | 32,43 | 3935 | 33 |
| FA21 | 27 | 739 | 20 | 3465 | 2,26,28,33, 40,80,82,85 | 3938 | 38 |
| FA22 | 27 | 743 | 62 | 3476 | 29,41,83 | 3941 | 38 |
| FA23 | 27 | 744 | 65 | 3486 | 35 | 3942 | 38 |
| FA24 | 27,28 | 749EC | 15 | 3512 | 36,40 | 3948 | 38 |
| FA26 | 27 | 752 | 39 | 3514 | 40 | 3956 | 31 |
| 42PB | 48 | 759 | 20 | 3532 | 37 | 3960DP | 42 |
| 50MMNUT | 15 | 763 | 62 | 3541 | 34 | 3961 | 43 |
| 64EA | 84 | 769 | 20 | 3545 | 30,40 | 3962 | 28,29 |
| 115 | 68 | 774 | 65 | 3556 | 31 | 3964 | 29,41 |
| B118L | 72 | 779 | 20 | 3561 | 43 | 3965 | 36 |
| ASI125 | 89 | 789 | 60,66 | 3565 | 33 | 3966DP | 26,42 |
| B180 | 72 | 793 | 3,18,24,82 | 3571 | 39 | 3971 | 39 |
| S180 | 72 | 795 | 62 | 3574 | 28,35 | 3976 | 29 |
| B181 | 72 | 799 | 16,60 | 3576 | 28,29,41 | 4063EC | 15 |
| S181 | 72 | 1019 | 3,67,68,84 | 3601 | 28,29 | 4123EC | 15 |
| B182 | 72,81 | 1027 | 67 | 3612 | 36 | 4153EC | 15 |
| S182 | 70,72 | 1059 | 69,85 | 3616 | 34 | 4163EC | 15 |
| B183 | 72 | 1179 | 68 | 3632 | 37 | 5001 | 56 |
| B184 | 72 | 1279 | 68 | 3641 | 34 | 5018SPR | 48 |
| ASI250 | 80,81,82,89 | 1359 | 69,80,81,83 | 3645 | 30 | 5021 | 79 |
| 313 | 35 | 1379 | 68 | 3656 | 32,40 | 5027 | 76 |
| 342 | 35 | 1479 | 68 | 3661 | 43 | 5028 | 77 |
| 346 | 32 | 1559 | 69 | 3665 | 33,81 | 5029 | 78 |
| 348N | 28,29 | ASI2230 | 89 | 3669 | 31 | 5040 | 79 |
| 352 | 35 | 2275 | 78 | 3676 | 29,41 | 5041 | 57 |
| 356 | 33,83 | ASI2300 | 80,81,82 | 3701 | 41 | 5060 | 79 |
| 386 | 28,29,41,83 | 3006EJ | 42 | | | 5071 | 49,51,52 |

| Part # | Page # |
|-----------|------------------------|
| 5072 | 57 |
| 5074 | 57 |
| 5075 | 54 |
| 5077 | 3,51,51,52,80,81,84,85 |
| 5077SPB | 50 |
| 5078SPB | 50 |
| 5078 | 53 |
| 5088S | 47 |
| 5118SPR | 48 |
| 5127 | 74,76 |
| 5128 | 77 |
| 5129 | 78 |
| 5175 | 54 |
| 5178 | 53 |
| 5203-FX | 55 |
| 5213SPR | 48 |
| 5217 | 53 |
| 5218SPR | 48 |
| 5241 | 25 |
| 5258SPR | 47 |
| 5272 | 57 |
| 5274 | 57 |
| 5378 | 53 |
| 5413 | 55 |
| 5428S | 46 |
| 5552 | 53 |
| 5555 | 53 |
| 5574 | 56,82,83,85 |
| 5583 | 56 |
| 5584 | 56,57,82,85 |
| 5623 | 55 |
| 5628SPR | 48 |
| 5658S | 47 |
| 5711S | 46 |
| 5813SPR | 48 |
| 5814SPR | 48 |
| 5823SPB | 50 |
| 5823 | 55,87 |
| 5848S | 47 |
| 5873 | 56 |
| 5874 | 49,56 |
| 5881S | 3,45,46,80,83,87 |
| 5883S | 46,82 |
| 5884S | 46 |
| 5903 | 54 |
| 5911 | 80,83,85 |
| 5924 | 52,83 |
| 5924L-EXT | 52 |

| Part # | Page # |
|---------|-------------------|
| 5974 | 56 |
| 6030 | 86 |
| 6036STC | 82 |
| 6037STC | 82 |
| 6040 | 86 |
| 6042STC | 81 |
| 6046STC | 81 |
| 6047STC | 81 |
| 6048STC | 80 |
| 6049STC | 80 |
| 6050NIT | 85 |
| 6051NIT | 85 |
| 6090EMI | 85 |
| 6136STC | 82 |
| 6142STC | 82 |
| 6148STC | 81 |
| 6236STC | 82 |
| 6384 | 88 |
| 7001 | 60 |
| 7011 | 23 |
| 7023 | 12,83 |
| 7041 | 64,64 |
| 7053 | 10,13,14,84,86,87 |
| 7063 | 4,6 |
| 7075 | 61 |
| 7078 | 61 |
| 7093 | 9 |
| 7111 | 23,85 |
| 7112 | 23 |
| 7115 | 22,24 |
| 7123 | 5,12 |
| 7153 | 10,13,14,82 |
| 7163 | 4,5,6 |
| 7175 | 18 |
| 7177S | 48,66 |
| 7178 | 18,61 |
| 7183 | 16,21 |
| 7253 | 10,13,14 |
| 7263 | 4,6 |
| 7275 | 61 |
| 7277S | 48,66 |
| 7283 | 21 |
| 7323 | 12 |
| 7331 | 66 |
| 7351 | 22,85 |
| 7352 | 23,85,86 |
| 7378 | 61 |
| 7383 | 58,64,83,88 |
| 7431 | 66 |

| Part # | Page # |
|----------|---------------|
| 7451 | 22 |
| 7452 | 23 |
| 7463 | 5,7,90 |
| 7483 | 64,64 |
| 7531 | 58,66 |
| 7552 | 18,61 |
| 7553 | 5,11,82,83,87 |
| 7563 | 7,39,85 |
| 7574 | 60 |
| 7583 | 17,60 |
| 7593 | 9 |
| 7623 | 59 |
| 7631 | 66 |
| 7663 | 7 |
| 7731 | 58,66 |
| 7752 | 22 |
| 7763 | 2,3,5,8,80,83 |
| 7774 | 16,19 |
| 7793 | 9 |
| 7823 | 17,59 |
| 7831 | 66 |
| 7835 | 20 |
| 7836 | 18,24 |
| 7852 | 23 |
| 7863 | 8 |
| 7891 | 24 |
| 7893 | 62 |
| 7923 | 17 |
| 7933 | 16,17,64 |
| 7936 | 18,24 |
| 7963 | 8 |
| 7974 | 60 |
| 7991 | 24 |
| 10059 | 69 |
| 13212 | 90 |
| 13219 | 90 |
| 13225 | 90 |
| 13244 | 90 |
| 13312 | 90 |
| 13319 | 90 |
| 13325 | 90 |
| 14212 | 90 |
| 14219 | 90 |
| 14225 | 90 |
| 14244 | 90 |
| 14319 | 90 |
| 14325 | 90 |
| 22070-OS | 78 |
| 24625 | 90 |
| 24650 | 90 |

| Part # | Page # |
|----------|---------------|
| 30145 | 30 |
| 30176 | 29 |
| 30756 | 26,40 |
| 31056 | 31 |
| 31145 | 30 |
| 31245 | 30 |
| 34761 | 34 |
| 35756 | 32 |
| 35761 | 34 |
| 35861N | 44 |
| 36761 | 34 |
| 36861N | 44 |
| 37861N | 44 |
| 39766N | 44 |
| 50517S | 46,81 |
| 50518S | 46 |
| 50519S | 46,82 |
| 50777 | 51,52 |
| 50778SPR | 48 |
| 50878SPR | 45,48 |
| 50888 | 88 |
| 51888S | 47 |
| 51888 | 55 |
| 52408S | 45,46,80 |
| 52718SPR | 48 |
| 52888 | 55 |
| 53038 | 54 |
| 53408SPR | 47 |
| 53508F | 47 |
| 54418S | 46 |
| 55418S | 46 |
| 56128S | 46 |
| 59150 | 54 |
| 70481 | 63 |
| 71518 | 22 |
| 71553 | 11 |
| 71918 | 19 |
| 72553 | 11 |
| 72918 | 19,59,66 |
| 73918 | 19,59,66 |
| 74453 | 21 |
| 74918 | 3,19,58,59,66 |
| 76453 | 21 |
| 77128S | 48,66 |
| 77319 | 66 |
| 77918 | 25,83 |
| 78918 | 25 |
| 79408N | 20 |
| 79418 | 22 |
| 7W933 | 17 |

MAIN OFFICE & MANUFACTURING

WEBSITE

LegacyLLC.com

EMAIL

Contact@LegacyLLC.com
Orders@LegacyLLC.com

ADDRESS

415 Concord Avenue,
Bronx, NY 10455

PHONE

Local: +1 (718) 292-5333
Toll Free: +1 (888) 383-3330
Fax: +1 (888) 383-3330

LEGACY RUBBER

WEBSITE

RubberLLC.com

EMAIL

Contact@RubberLLC.com

ADDRESS

15650 Madison Road,
Middlefield, OH 44062

PHONE

Local: +1 (440) 632-5400
Fax: +1 (888) 383-3330



LEGACY

MANUFACTURING

Automatic Door Bottoms • Thresholds • Gasketing • Door Flood Shields



U.S. Department of
Homeland Security
Critical Manufacturing
Sector Coordinating Council



FEMA



Intertek



Intertek



ALL LEGACY PRODUCTS
are manufactured in the
UNITED STATES

PRICE - \$25 @ LEGACY MANUFACTURING LLC 2020