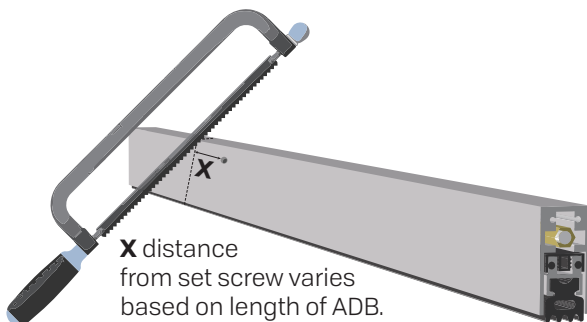
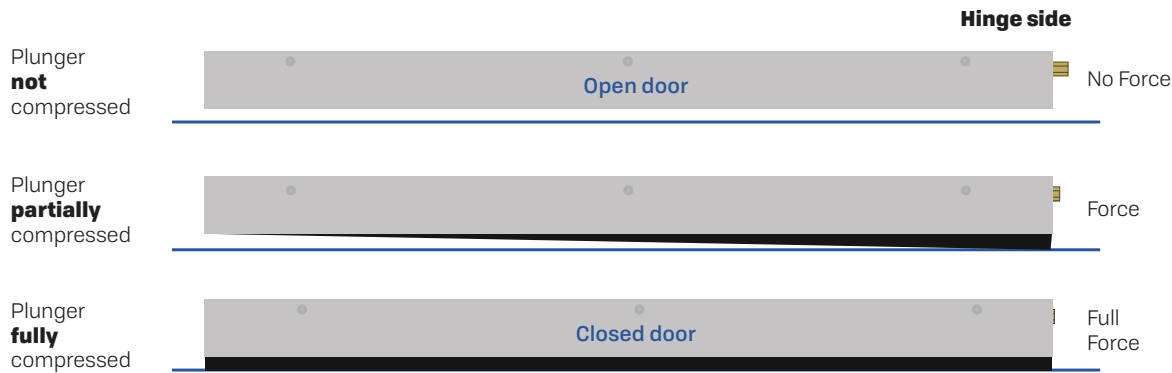
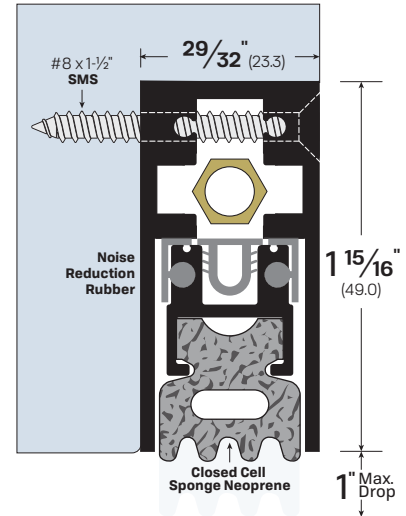






Semi-Mortised Automatic Door Bottom

- 1 - For single doors, cut 1/8" shorter than the distance between stop to stop on the frame. For pairs of doors, cut 1/16" shorter than the distance between the stop on the frame and the stop on the meeting edge of the door. When used in conjunction with perimeter seals, ensure the perimeter seals are installed from the head of the door all the way to the top of the floor or top of the threshold. The automatic door bottom should be mounted in between the two sets of perimeter seals.
- 2 - For doors with standard undercuts, up to 3/4", position the automatic door bottom on the push side of the door with the adjusting hexnut facing the hinge side. Align the door bottom flush with the bottom of the door and allow up to 1/16" clearance on each end. Mark screw holes and drill accordingly. The door should be closed and latched during mounting.
- 3 - Install with screws provided. Do not overtighten.
- 4 - Spring tension adjustment can be accomplished by turning the brass nut in either direction to create the perfect seal.




POSITIVE PRESSURE TESTED GASKETING MATERIALS


FOR FIRE DOORS FOR APPLICATION TO HOLLOW-METAL-TYPE FIRE DOORS RATED UP TO 3 HOURS AND WOOD-TYPE FIRE DOORS

RATED UP TO 1-1/2 HOURS. CATEGORY H

WARNING - Do not pull on the insert, rubber, or any components. Overextending the insert to a point lower than designed will result in binding of the unit and the inability of the insert to retract properly back into the housing. Any tampering will damage the mechanism, render the seal ineffective and void the warranty.