

METAL WEATHER STRIPS

For Doors & Windows

We are proud to present Legacy's partnership with Accurate Metal Weatherstripping.

Legacy recently acquired machinery and assets from Accurate Metal Weatherstripping, your long-standing supplier of door and window gasketing.

Since 1898, Accurate has been a pioneer in weatherstripping that meets all conditions and applications. We are incredibly proud to continue Accurate's legacy of quality, innovation, and customer service. This acquisition represents a harmonious integration of shared company values and product efficiencies.

As an Accurate customer, you may have some questions or concerns about this transition. We are here to help. Please do not hesitate to contact us via email, phone, or website. We are happy to provide you with quotes, AutoCAD drawings, and cut sheets. Enclosed you will find catalogs for Accurate's products along with Legacy Manufacturing's products. Going forward, we will serve you with a seamless experience.

www.accurateweatherstrip.com



ACCURATE

**ACCURATE METAL
WEATHER STRIP Co. INC.**
1-888-383-3330

415 Concord Avenue Bronx, NY 10455
Tel 718-292-5333 ■ Fax 888-383-3330



METAL WEATHER STRIPS

The Accurate Metal Weather Strip Company began business in 1898 under the name of Acme Weather Strip. In 1917 the name was changed to Accurate Metal Weather Strip Company, Inc.

“**ACCURATE**” takes great pride in providing our customers with quality products for their particular project. The many varying types of sash and door construction used today make it impossible to provide one standard system of weatherstripping which will meet all conditions accurately and efficiently. “**ACCURATE**” metal weatherstrips are available in a number of designs to meet the peculiarities of the particular sash or door construction involved.

Energy Conservation: To maintain even temperatures, present day heating and cooling systems are designed to achieve a fine balance of distribution. The successful operation depends on the elimination of air leakage around doors and windows.

ACCURATE... Everything The Name Implies!

INDEX

DESCRIPTION	PAGE
Ordering Information.....	3
Parts Index.....	4
DOORS	
Hinged Door Weather Strip Saddles/Sectional.....	5 - 7
Out-Swinging Door Saddles.....	8, 9
In-Swinging Door Saddles/Waterproof.....	10
Door Bottoms/Threshold Weatherstrip.....	11
Commercial Saddles/Sectional.....	12, 13
Commercial Saddles/Plain & Fluted Top.....	14, 15
Door Bottoms/Soundproof, Lightproof.....	16
Automatic Door Bottoms/Soundproof, Lightproof.....	17
Doorstops.....	18, 19
Meeting Stiles/Adjustable Astragals.....	20
Meeting Stiles.....	21
Hinged Door Weather Strips.....	22 - 26
Sliding Door Weather Strips.....	27
WINDOWS	
Window Weather Strip.....	28 - 31

METRIC CONVERSION TABLE

Dimensions in inches and metric equivalents in centimeters shown herewith are indicated in the same manner throughout the catalog: 2-1/2" (6.35), 4" (10.16).

INCHES	CENTIMETERS	INCHES	CENTIMETERS
1/32"	.08	1 5/16"	3.33
1/16"	.16	1 3/8"	3.49
1/8"	.32	1 7/16"	3.65
3/16"	.48	1 1/2"	3.81
1/4"	.64	1 9/16"	3.97
5/16"	.79	1 5/8"	4.13
3/8"	.95	1 11/16"	4.29
7/16"	1.11	1 3/4"	4.45
1/2"	1.27	1 13/16"	4.60
9/16"	1.43	1 7/8"	4.76
5/8"	1.59	1 15/16"	4.92
11/16"	1.74		
3/4"	1.90	2"	5.08
13/16"	2.06	3"	7.62
7/8"	2.22	4"	10.16
15/16"	2.38	5"	12.70
		6"	15.24
1"	2.54	7"	17.78
1 1/32"	2.62	8"	20.32
1 1/16"	2.69	9"	22.86
1 1/8"	2.86	10"	25.40
1 3/16"	3.02	11"	27.94
1 1/4"	3.18	12"	30.48

ORDERING INFORMATION

When ordering, refer to the individual part numbers found in the catalog and specify the class of material, quantity and length or refer to the seven digit number found in the price list and specify quantity and length.

Part number found in the price list are based on a seven digit number for billing purposes. The first two numbers designate a class of material, followed by the individual part number found in the catalog.

CATALOG EXAMPLE

No: 841 Polished Brass / 200 / 100ft

(Catalog Number, Type of Material, Quantity & Length)

PRICE LIST EXAMPLE

No: 8500841 / 200 / 100ft

(Type of Material (See Chart Below), Catalog Number, Quantity & Length)

MATERIAL TYPE	CLASS NO.
Zinc (Alloy 191)	11
Automatic Door Bottoms	14
Bronze (Alloy 230-85%cu.; 260-70%cu.)	22
Stainless Steel (Alloy 301)	44
Replacement Neoprene, Wool Pile, Vinyl	55
Fasteners	66
Tools & Misc	77
Polished Extruded Bronze (Alloy 385, Satin, Bright)	85
Dark Extruded Bronze (Alloy 385, Oxidized)	86
Mill Finish Extruded Bronze (Alloy 385)	88
Extruded Aluminum (Alloy 6063-T5)	99

“ACCURATE” offers some aluminum extrusions in a “Quaker Bronze” paint finish. In 250 Hrs. salt spray tests, conducted by a major hardware manufacturer, the material exhibited no corrosion (better than a duranodic 313 finish; Ref. ASTM B117). The color is medium bronze.

Shapes available with this finish are designed with a * after the part number in this catalog. Other finishes include: clear anodized, gold anodized and mill. Please ask for availability on finishes.

Materials Used In Production

Metals

TYPE OR GRADE	230		260		190					6063		301					
Nominal	Cu	Zn	Cu	Zn	Zn	Cu	Pb	Cd	Fe	Mg	Si	C	Mn	P	Si	Cr	Ni
Composition %	85	15	70	30	99	.9	.005	.005	.008	.45	.2-.6	.15	2	.045	1	16-18	6-8
Common Name	Red Brass		Cartridge Brass		Zinc					Aluminum		Stainless Steel					

Elastomers

TYPE	CHLOROPRENE (Neoprene)	ETHYLENE (Propylene)
ASTM Designation	CR	EPDM
MECHANICAL PROPERTIES		
Hardness - Shore A	50 - 60	50 - 60
Flex Cracking Resistance	Very Good	Very Good
Tear Resistance	Good	Fair - Good
Abrasion Resistance	Excellent	Good - Excellent
Service Temperature (F)	-60° to -225°	-70° to -350°
ENVIRONMENTAL RESISTANCE		
Ozone	Very Good	Outstanding
Oxidation	Very Good	Excellent
Weathering	Very Good	Outstanding
Water	Good	Excellent
Radiation	Good	Good
Permeability To Gases	Low - Medium	Medium

Solid extrusions are EPDM unless noted otherwise. Closed cell sponge extrusions are a neoprene blend compound. Closed cell sponge strip meets Mil R6130 Class 2 Grade C. The preceding chart is a partial comparative list of properties.

PARTS INDEX

PART NO.	PAGE	PART NO.	PAGE	PART NO.	PAGE	PART NO.	PAGE	PART NO.	PAGE
1.....	4,25, 30, 31, 32	803.....	18	904.....	18	9F3.....	12, 13	S181.....	26
1X.....	29	804.....	18	905.....	14	9F4.....	12	S182.....	26
2.....	28, 30, 32	812.....	15	906.....	14	9F5.....	12	S183.....	26
2C.....	32	812AA.....	15	912.....	15	9FC.....	12	S184.....	26
2CH.....	28, 32	812BB.....	15	912AA.....	15	9LE.....	9, 11	S200.....	31
3.....	28, 32	813.....	15	912BB.....	15	9LR.....	11	S201.....	31
3C.....	32	813C.....	15	913.....	15	9S1.....	5, 6	S202.....	31
3CH.....	28, 32	813G.....	15	913C.....	15	9S5.....	5, 6, 7	LN.....	27
3X.....	29	823.....	10, 31	925.....	10	9S11.....	5, 6	1000P.....	20
4C.....	32	824.....	10	926A.....	10	9S13.....	5, 7	1500.....	19
4CH.....	28, 32	825.....	10	928.....	8	9S14.....	5, 7, 10	1700.....	19
4CHX.....	29	826.....	10	928L.....	8	9S16.....	5, 7	1800N.....	19
5C.....	32	828S.....	8	928S.....	8	9T1.....	5	1900.....	19
5CH.....	28, 32	829.....	31	929A.....	31	9T2.....	5	2000.....	19
5CHX.....	29	830.....	8	930.....	8	9T3.....	5	2200.....	19
6.....	28, 32	831.....	8	930C.....	8	9T4.....	5	2700G.....	27
6CHX.....	29	832.....	8	931.....	8	9T5.....	5	2700N.....	19
7.....	25, 28, 30, 31, 32	832L.....	8	931E.....	8	A13.....	22	2700P.....	19, 27
7S.....	32	838F.....	9	932.....	8	A14.....	22	2700V.....	19
7CHX.....	29	838H.....	9	932L.....	8	A15.....	11	3000.....	19
8.....	5, 28, 30, 31, 32	841.....	10	932R.....	9	A77.....	22	TOOLS.....	34
8C.....	24, 25, 31, 32	842.....	10	934C.....	10	A77A.....	22		
11.....	29, 32	850.....	16	935.....	14	A78.....	22		
11A.....	30, 32	850N.....	18	936.....	14	B13.....	22		
12.....	30, 32	865.....	14	938A.....	9	B14.....	22		
15LC.....	22	869B.....	10	938B3.....	9	B15.....	11		
17.....	23, 25, 30, 32	885.....	14	938B6.....	9	B77.....	22		
17A.....	29, 30, 32	886.....	14	938C.....	9	B77A.....	22		
17N.....	25, 32	8150.....	18	938F.....	9	B78.....	22		
17S.....	23, 25, 32	8150M.....	21	938H.....	9	B118L.....	26		
18.....	23, 30, 32	8155.....	20	939A.....	8	B135.....	16		
18X.....	23	8156.....	20	941.....	10	B142.....	16		
19A.....	23, 33	8157.....	20	942.....	10	B158.....	16, 21		
20.....	33	8E.....	12, 13	950.....	16	B160.....	21		
20A.....	33	8ED.....	12, 13	950N.....	18	B180.....	26		
21.....	8, 11, 31, 33	8ES.....	12, 13	952.....	16	B181.....	26		
22.....	33	8F3.....	12, 13	953.....	21	B182.....	26		
22H.....	33	8F4.....	12	953S.....	16	B183.....	26		
26.....	11	8F5.....	12	953SL.....	21	B184.....	26		
29.....	31	8FC.....	12	965.....	14	B185.....	26		
30.....	33	8LE.....	11	965T.....	14	B200.....	31		
31.....	33	8LR.....	11	969B.....	10	B201.....	31		
51.....	11	8S1.....	5, 6	972.....	16	B202.....	31		
60.....	30	8S5.....	5, 6, 7	986.....	14	B602.....	26		
61.....	30	8S11.....	5, 6	987.....	10	B603.....	26		
60A.....	30	8S13.....	5, 7	9111.....	21	B604.....	26		
61A.....	30	8S14.....	5, 7, 10	9111S.....	21	B605.....	26		
93.....	21	8S16.....	5, 7	9112.....	11	B606.....	26		
93S.....	14	8T1.....	5	9113.....	11	CC1.....	25		
191.....	18	8T2.....	5	9150.....	18	CC2.....	25		
192.....	16,18	8T2E.....	5, 7	9150M.....	21	DC1.....	26		
243.....	22	8T3.....	5	9155.....	20	DC2.....	26		
424.....	17	8T4.....	5	9156.....	20	S118L.....	26		
424A.....	17	8T5.....	5	9157.....	20	S135.....	16		
425.....	17	900A.....	18	9E.....	12, 13	S142.....	16		
425S.....	17	901.....	20	9EB.....	12	S158.....	16, 21		
426.....	17	902.....	27	9ED.....	12, 13	S160.....	21		
426S.....	17	903.....	18	9ES.....	12, 13	S180.....	26		

***SERIES NOS.**

WINDOWS

10X.....	29
10UP.....	28
20.....	29
30.....	30
35.....	30
60.....	30
80.....	31
90.....	31
100.....	31

DOORS

500.....	24
550.....	23
600.....	26
700.....	22
725.....	22

DOOR SADDLES

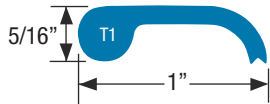
28C.....	6
32B.....	6
32C.....	5, 6
32D.....	7
34A.....	7
34.....	7
900.....	12, 13, 15

*A series number is given to a particular weatherstrip system which consists of many different part numbers. Separate detail sheets are available.

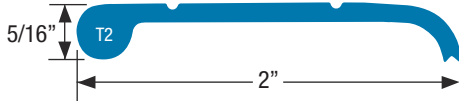
HINGED DOOR WEATHERSTRIP SADDLES

SECTIONAL TYPE

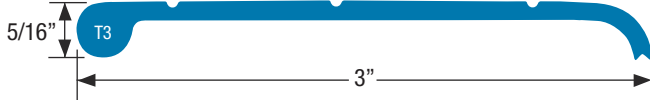
No. T1



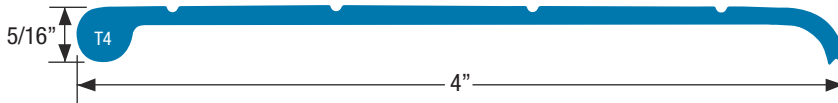
No. T2



No. T3



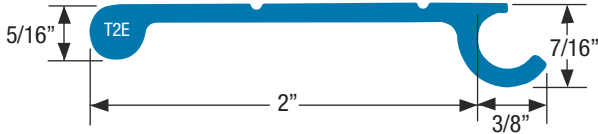
No. T4



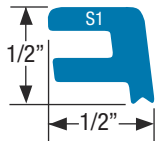
No. T5



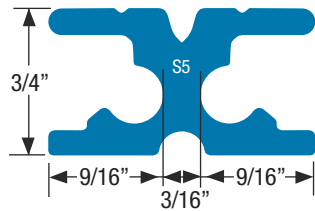
No. T2E



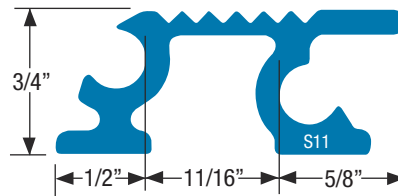
No. S1



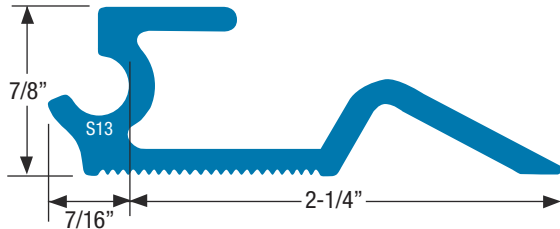
No. S5



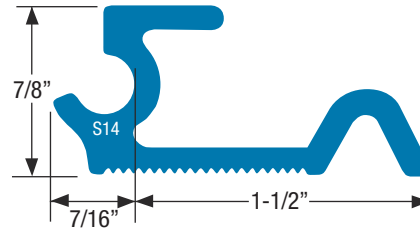
No. S11



No. S13



No. S14



No. S16



Sectional Unit Door Saddles

All Bronze Saddles furnished in Architectural Alloy No. 385. Finished Mill, Polished Bright, Satin or Dark (oxidized). All Aluminum Saddles furnished in Alloy 63 T5 Mill Finish.

NOTE: Provision must be made on lower outside edge for water drainage.

For Metric Conversion Table See Page 2

ACCURATE METAL WEATHER STRIP CO., INC.

ACCURATE

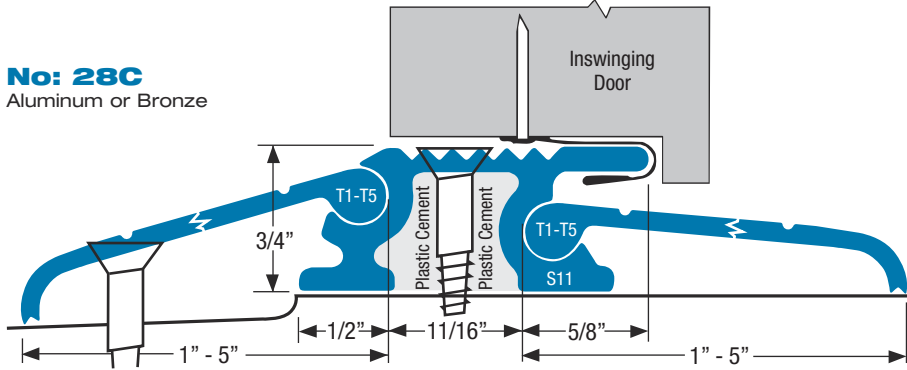
NOTE: FOR PROPER FIT, DO NOT CUT ANYTHING BEFORE MATERIALS ARE RECEIVED. Accurate Metal is not liable in any way for improper installation.

Class 85 - Polished Ext. Bronze, Class 86 - Dark Ext. Bronze, Class 88 - Mill Finish Ext. Bronze, Class 99 - Ext. Aluminum, *Designated Available In "Quaker Bronze Finish (Specify "D" After Material Number)

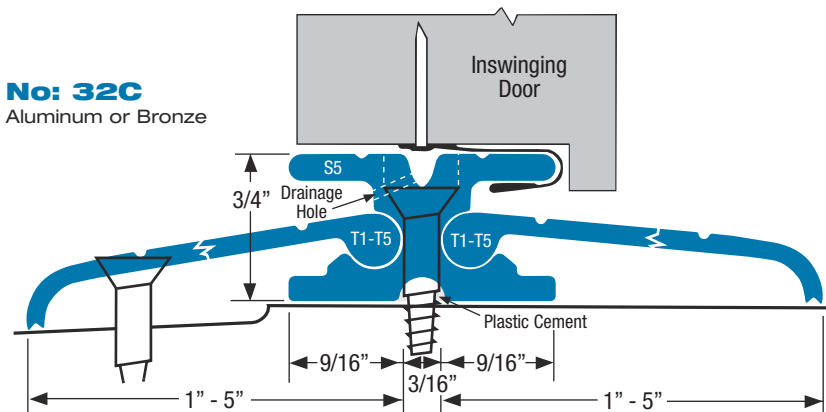
HINGED DOOR WEATHERSTRIP SADDLES

SECTIONAL TYPE

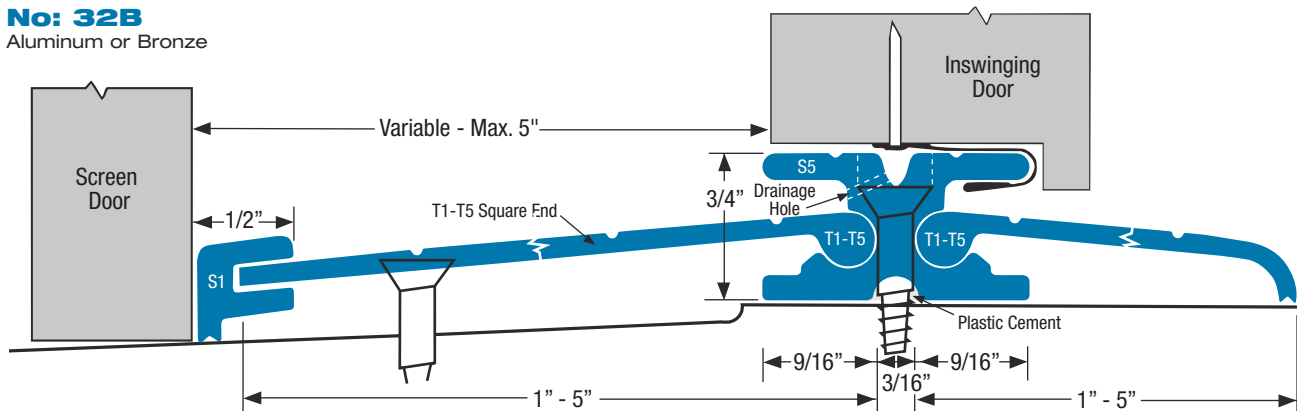
No: 28C
Aluminum or Bronze



No: 32C
Aluminum or Bronze



No: 32B
Aluminum or Bronze



Sectional Extruded Saddles

Combine features of flexibility not obtainable in the one piece type saddles. The extension members are interchangeable and carried in stock in standard widths from one inch to five inches with one inch variant, making it possible to extend or decrease the width of interior or exterior members to meet practically all conditions. For example, the width of Saddles 28B, 28C, 32C and 32B may have extensions of five inches on each side of the main member.

All Aluminum Saddles furnished in Alloy 63 T5 Mill Finish. All Bronze Saddles furnished in Architectural Alloy No. 385. Finished Mill, Polished Bright or Satin.

Self-Leveling Principle

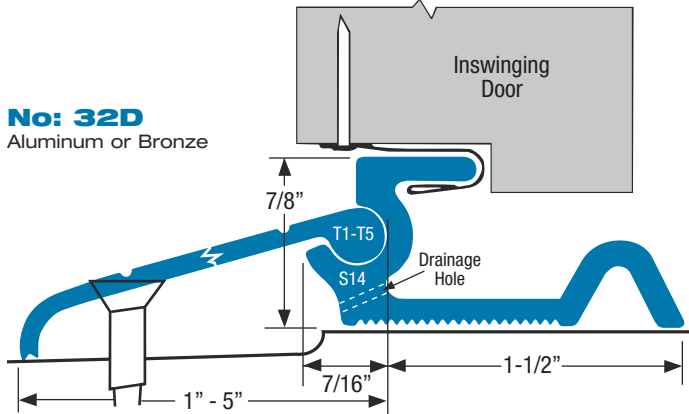
A most important feature is the Self-Leveling Principle of the pivoted extension members. This is particularly important when floor and sill levels vary. Both extension members may be screwed in place or the inner extension member may be left loose and made to extend over mats, runners or similar floor coverings.

Exterior doors opening in: the extruded brass raindrip No. 15 is recommended for use in all installations for doors opening in. See page 11.

HINGED DOOR WEATHERSTRIP SADDLES

SECTIONAL TYPE

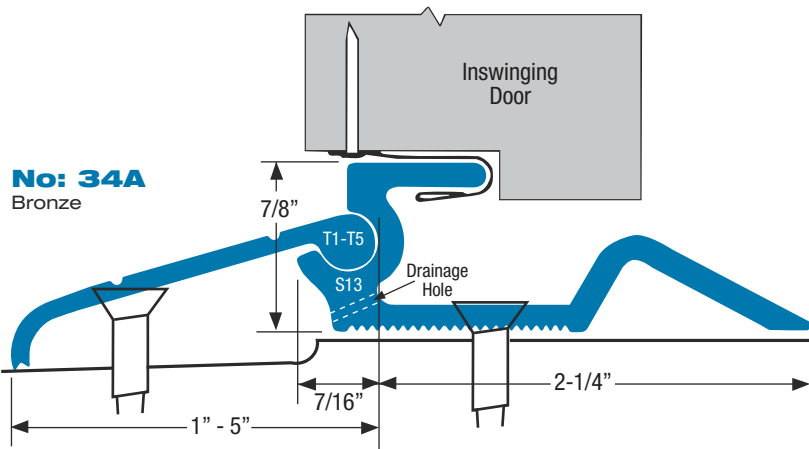
No: 32D
Aluminum or Bronze



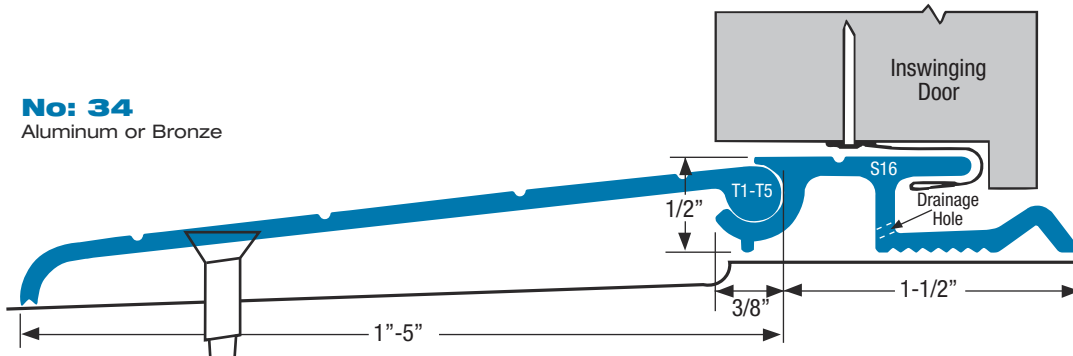
All Aluminum Saddles furnished in Alloy 63 T5 Mill Finish.
All Bronze Saddles furnished in Architectural Alloy No. 385.
Finished Mill, Polished Bright or Satin.

Note: Drainage Provision

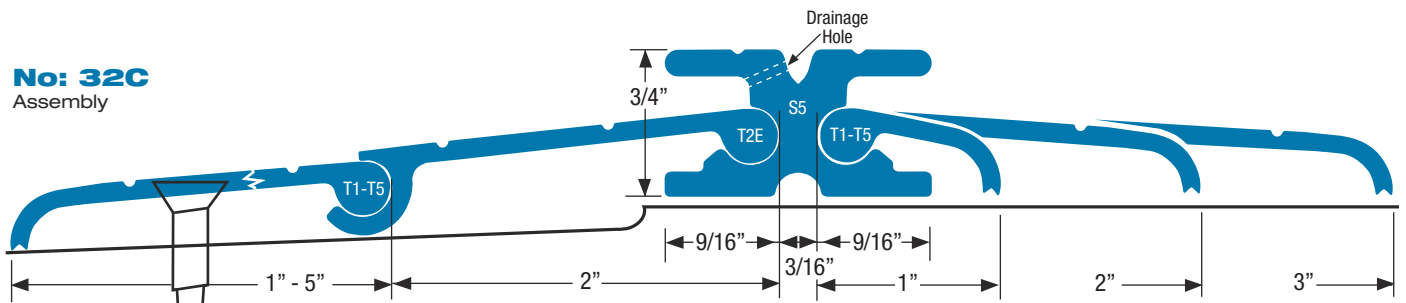
No: 34A
Bronze



No: 34
Aluminum or Bronze



No: 32C
Assembly



For Metric Conversion Table See Page 2

ACCURATE METAL WEATHER STRIP CO., INC.

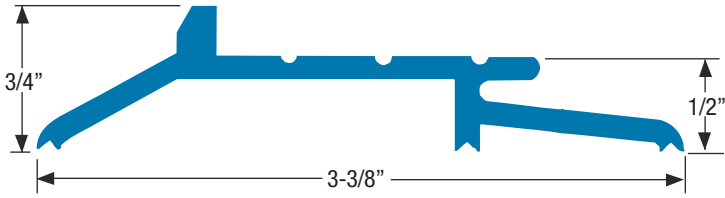
ACCURATE

NOTE: FOR PROPER FIT, DO NOT CUT ANYTHING BEFORE MATERIALS ARE RECEIVED. Accurate Metal is not liable in any way for improper installation.
Class 85 - Polished Ext. Bronze, Class 86 - Dark Ext. Bronze, Class 88 - Mill Finish Ext. Bronze, Class 99 - Ext. Aluminum, *Designated Available In "Quaker Bronze Finish (Specify "D" After Material Number)

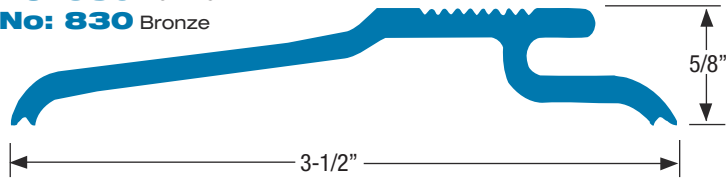
OUT-SWINGING DOOR SADDLES

Can also be used for inswinging door where protected.

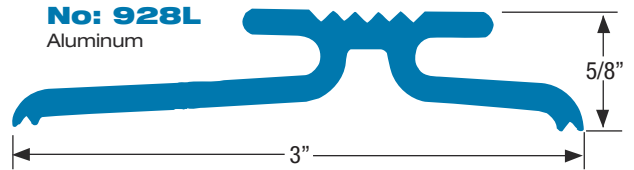
No: 939A Aluminum



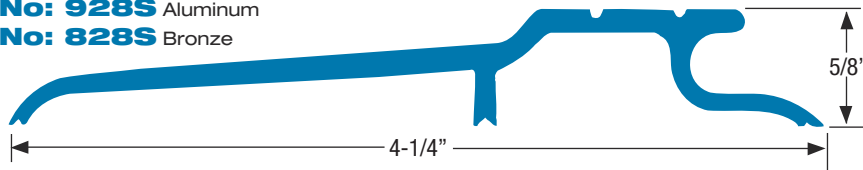
No: 930 Aluminum
No: 830 Bronze



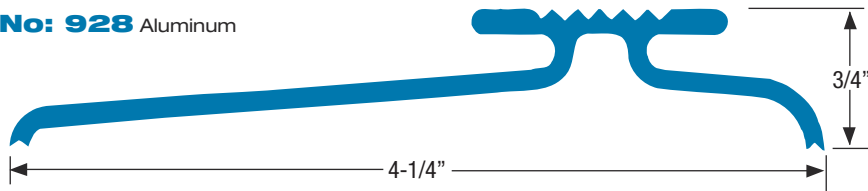
No: 928L Aluminum



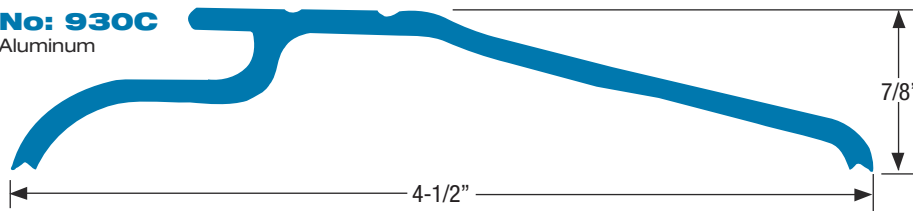
No: 928S Aluminum
No: 828S Bronze



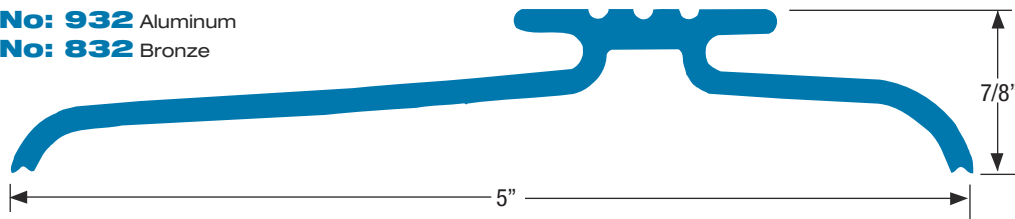
No: 928 Aluminum



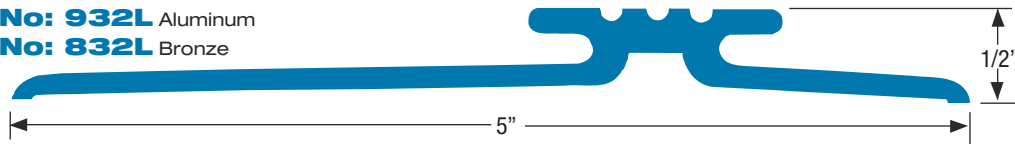
No: 930C Aluminum



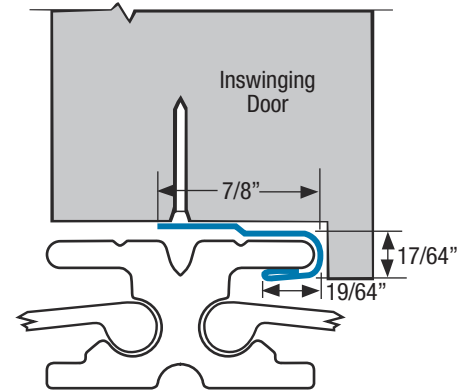
No: 932 Aluminum
No: 832 Bronze



No: 932L Aluminum
No: 832L Bronze



No: 21Z Hook-Zinc
No: 21B Hook-Brass



Elevators

No: 931 Aluminum
No: 831 Bronze

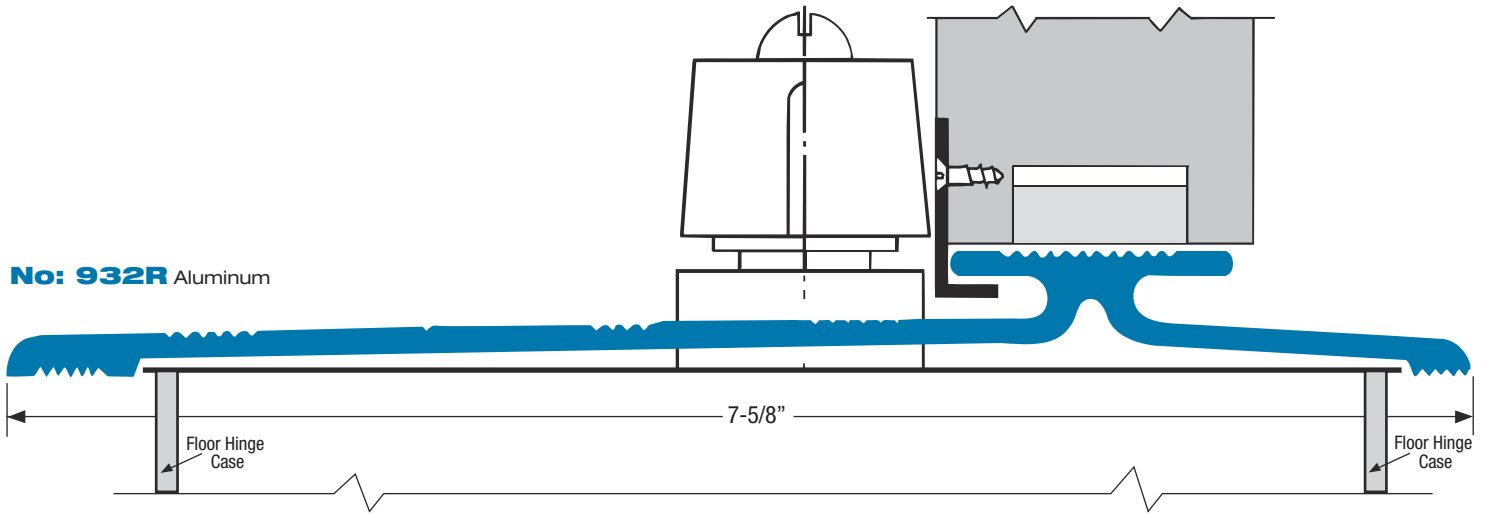


No: 931E Aluminum

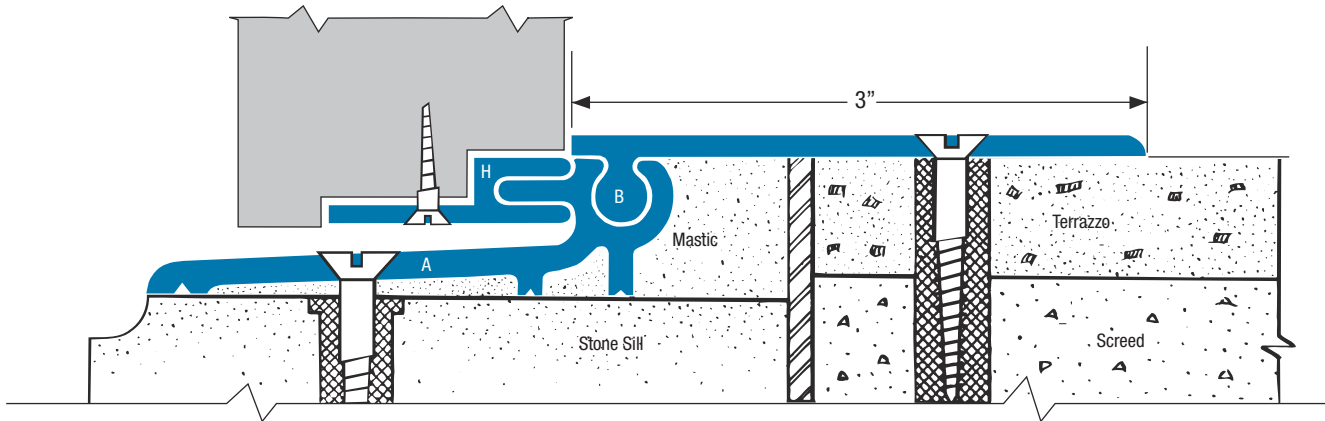


OUT-SWINGING DOOR THRESHOLDS

No: 932R Aluminum

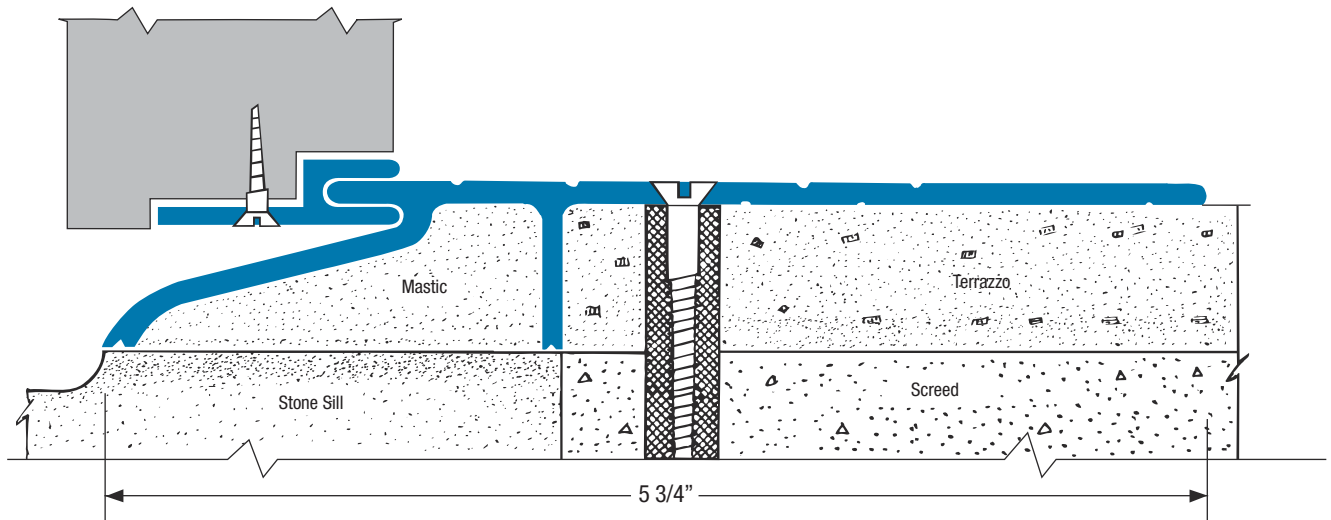


No: 938B Aluminum



No: 938F Aluminum

No: 838F Bronze



For Metric Conversion Table See Page 2

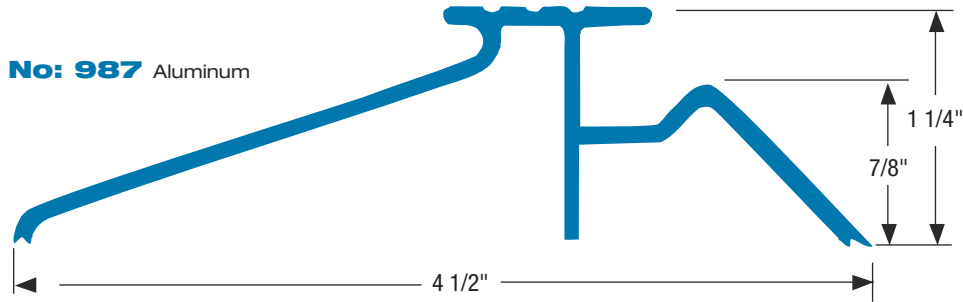
ACCURATE METAL WEATHER STRIP CO., INC.



NOTE: FOR PROPER FIT, DO NOT CUT ANYTHING BEFORE MATERIALS ARE RECEIVED. Accurate Metal is not liable in any way for improper installation.
 Class 85 - Polished Ext. Bronze, Class 86 - Dark Ext. Bronze, Class 88 - Mill Finish Ext. Bronze, Class 99 - Ext. Aluminum, *Designated Available In "Quaker Bronze Finish (Specify "D" After Material Number)

IN-SWINGING DOOR SADDLES

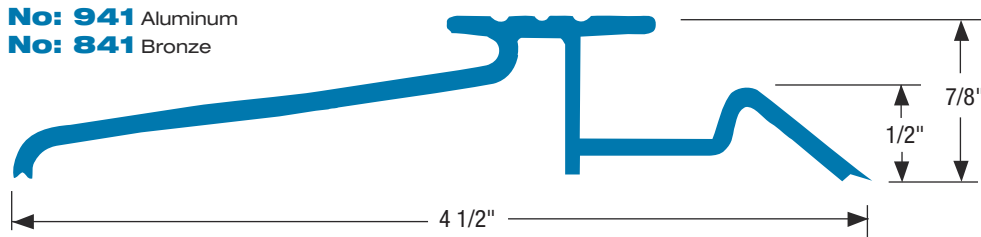
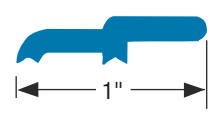
WATERPROOF



No: 823 Bronze

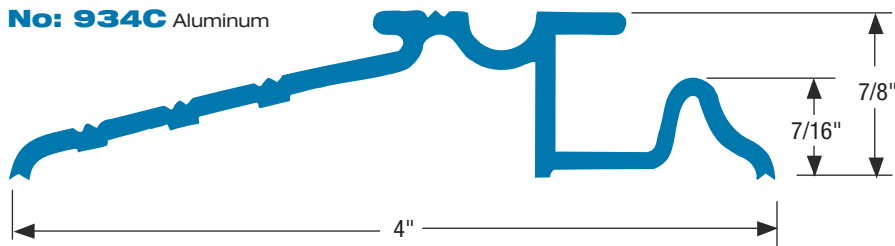
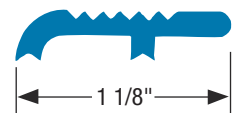


No: 824 Bronze



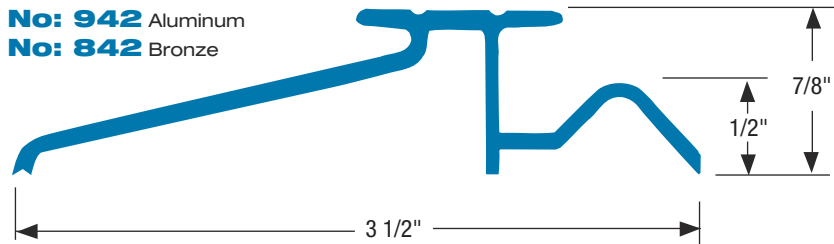
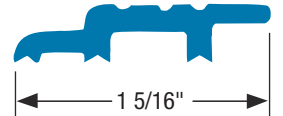
No: 925 Aluminum

No: 825 Bronze

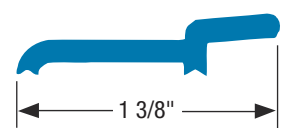


No: 969B Aluminum

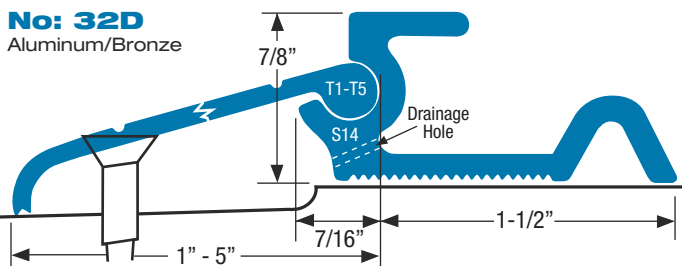
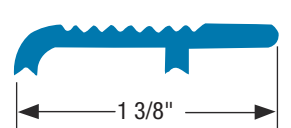
No: 869B Bronze



No: 926A Aluminum



No: 826 Bronze



Elevators

No: 931 Aluminum

No: 831 Bronze



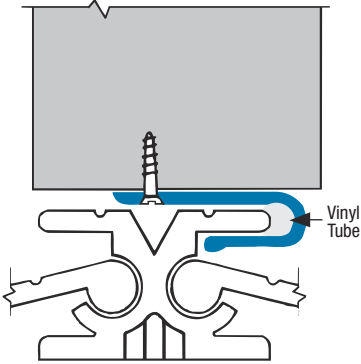
No: 931E Aluminum



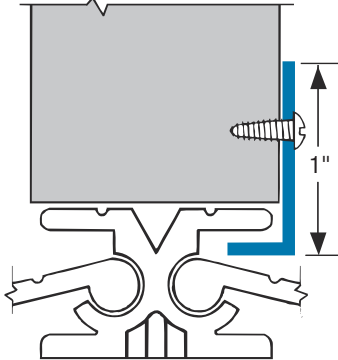
DOOR BOTTOMS

THRESHOLD WEATHERSTRIPPING

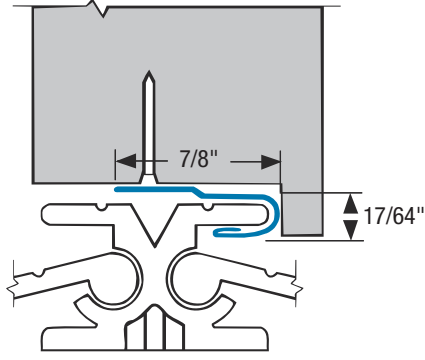
No: 9113 Aluminum



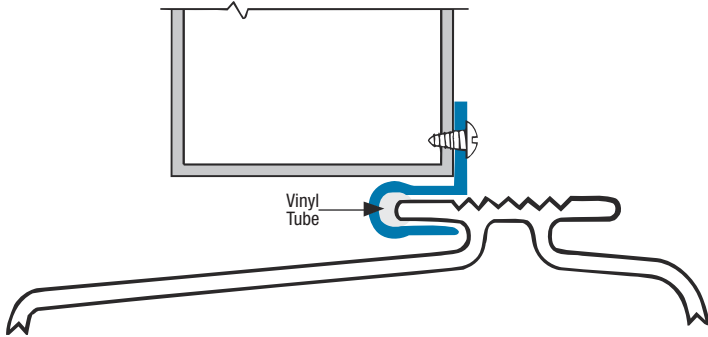
No: 9LE EII Interlocking-Aluminum
No: 8LE EII Interlocking-Bronze



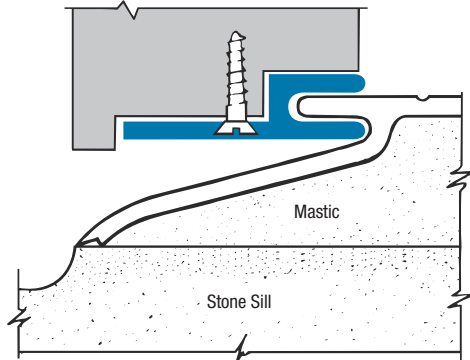
No: 21Z Hook-Zinc
No: 21B Hook-Brass



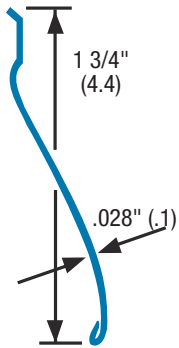
No: 9112* Aluminum



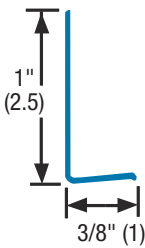
No: 938H Aluminum
No: 838H Bronze



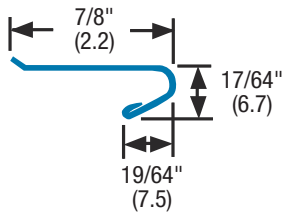
No: 51Z Zinc
No: 51B Bronze



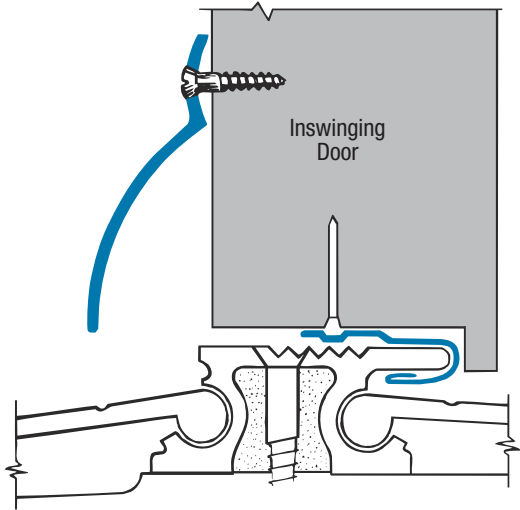
No: 9LR Aluminum
No: 8LR Bronze



No: 26Z Zinc
No: 26B Bronze



No: A15* Aluminum
No: B15 Bronze



For Metric Conversion Table See Page 2

ACCURATE METAL WEATHER STRIP CO., INC.



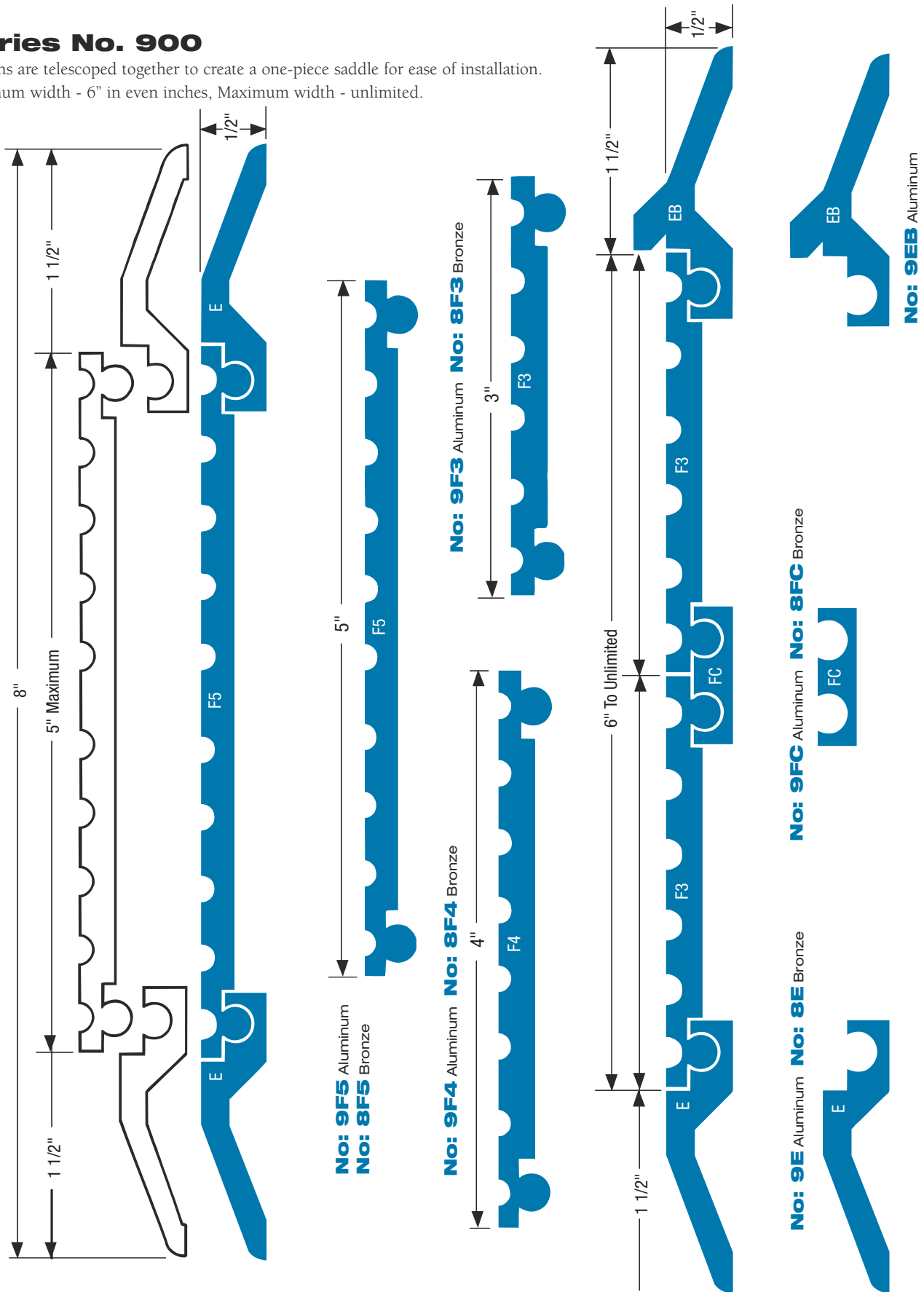
NOTE: FOR PROPER FIT, DO NOT CUT ANYTHING BEFORE MATERIALS ARE RECEIVED. Accurate Metal is not liable in any way for improper installation.
Class 85 - Polished Ext. Bronze, Class 86 - Dark Ext. Bronze, Class 88 - Mill Finish Ext. Bronze, Class 99 - Ext. Aluminum, *Designated Available In "Quaker Bronze Finish (Specify "D" After Material Number)

COMMERCIAL SADDLES

SECTIONAL TYPE

Series No. 900

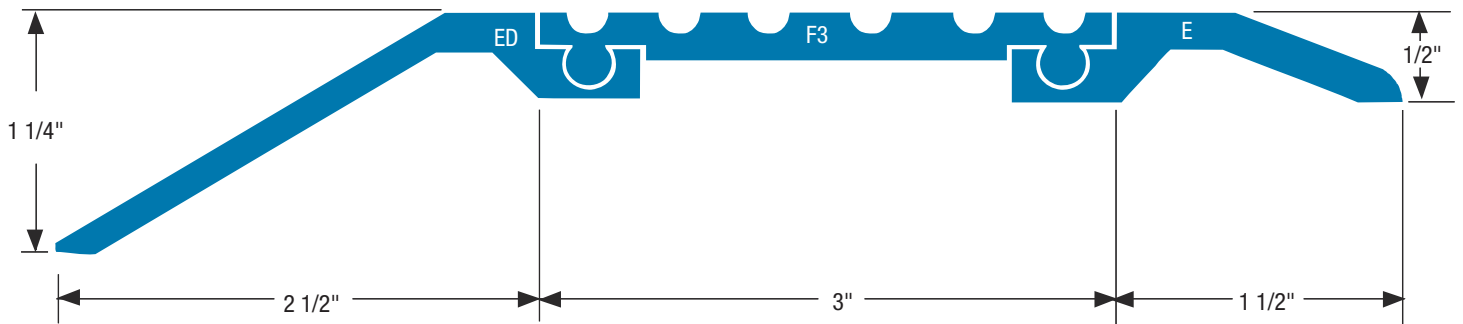
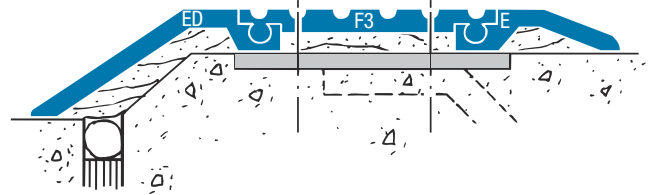
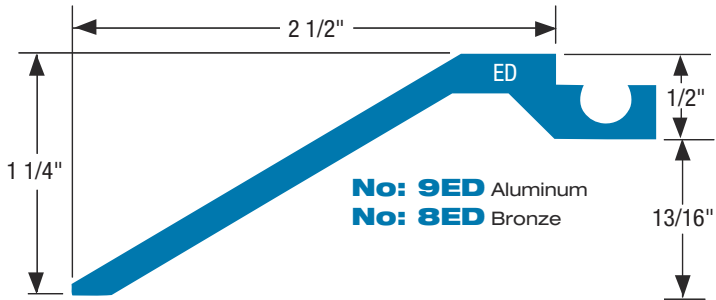
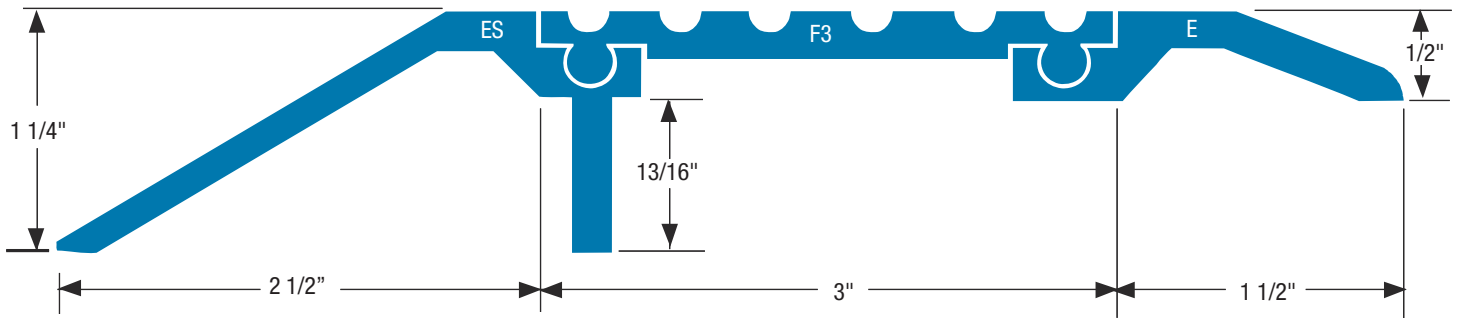
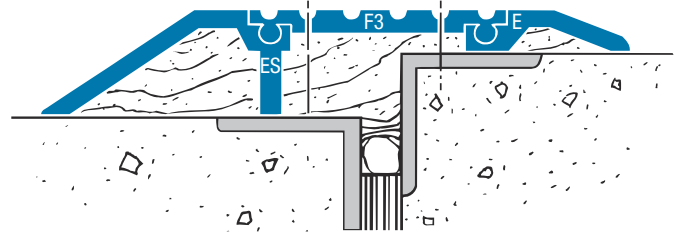
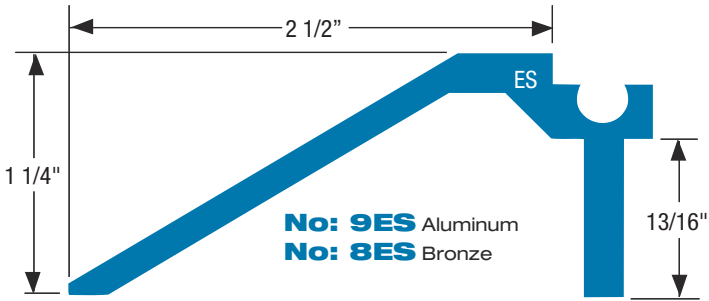
Sections are telescoped together to create a one-piece saddle for ease of installation.
Minimum width - 6" in even inches, Maximum width - unlimited.



COMMERCIAL SADDLES

SECTIONAL TYPE

Series No. 900



For Metric Conversion Table See Page 2

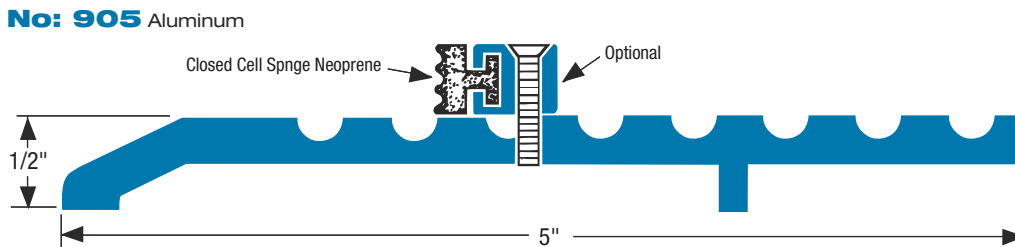
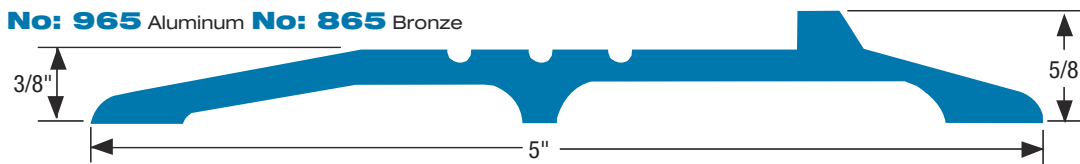
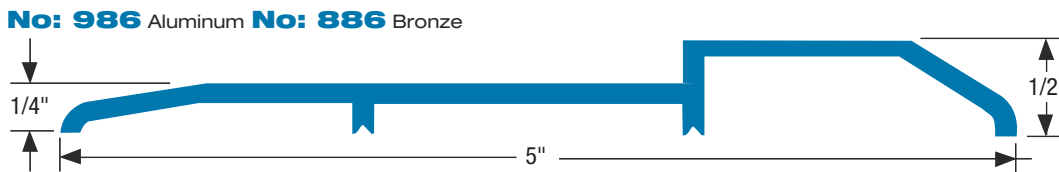
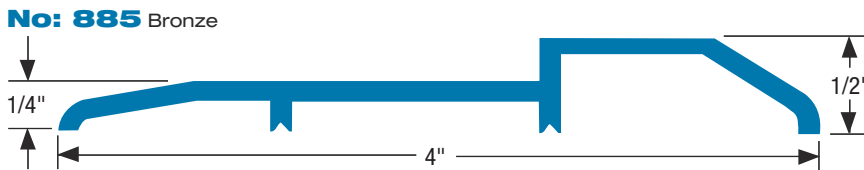
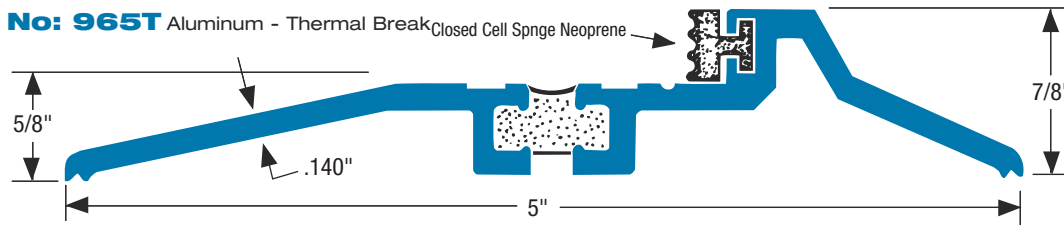
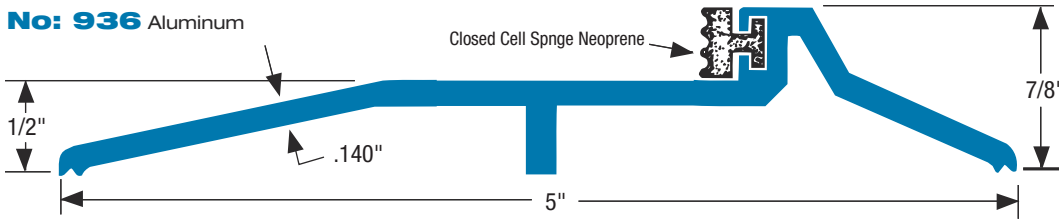
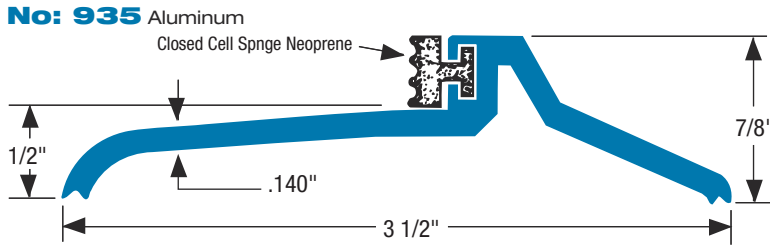
ACCURATE METAL WEATHER STRIP CO., INC.



NOTE: FOR PROPER FIT, DO NOT CUT ANYTHING BEFORE MATERIALS ARE RECEIVED. Accurate Metal is not liable in any way for improper installation.
 Class 85 - Polished Ext. Bronze, Class 86 - Dark Ext. Bronze, Class 88 - Mill Finish Ext. Bronze, Class 99 - Ext. Aluminum, *Designated Available In "Quaker Bronze Finish (Specify "D" After Material Number)

COMMERCIAL SADDLES

PLAIN & FLUTED TOP

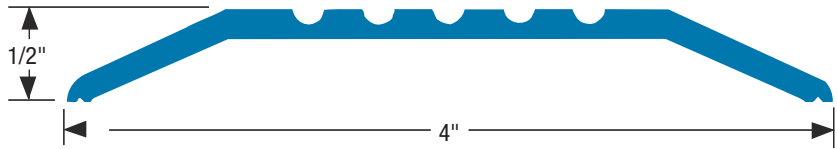


No: 935

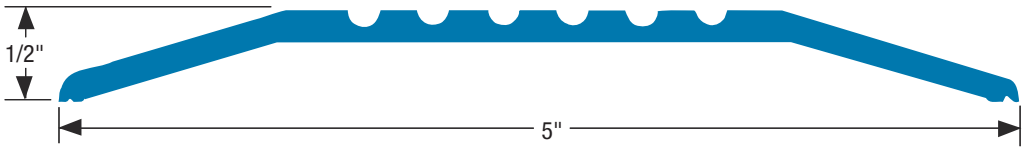
COMMERCIAL SADDLES

PLAIN & FLUTED TOP

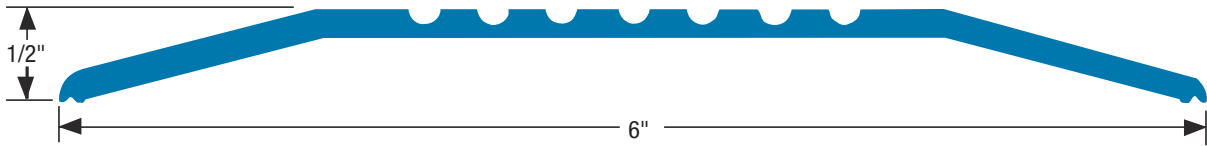
No: 912 Aluminum **No: 812** Bronze



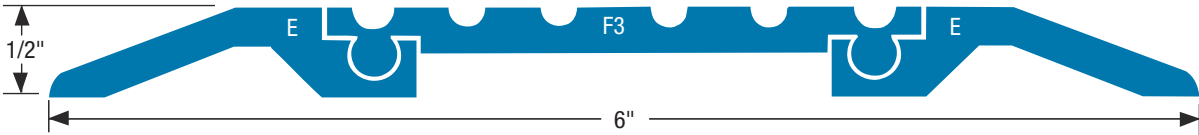
No: 912AA Aluminum **No: 812AA** Bronze



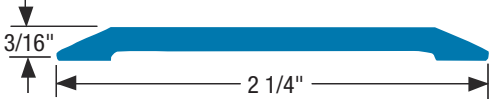
No: 912BB Aluminum **No: 812BB** Bronze



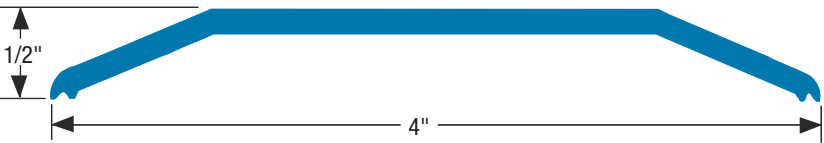
No: 900 Aluminum **No: 800** Bronze



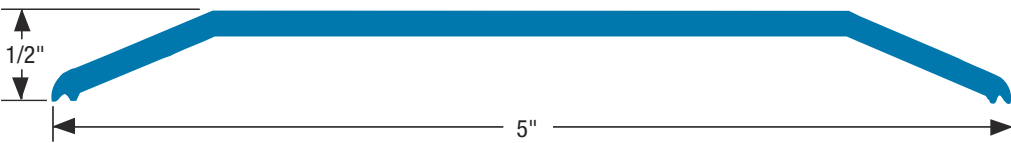
No: 913 Aluminum **No: 813** Bronze (2 1/2" x 3/16")



No: 913C Aluminum **No: 813C** Bronze



No: 813G Bronze



For Metric Conversion Table See Page 2

ACCURATE METAL WEATHER STRIP CO., INC.



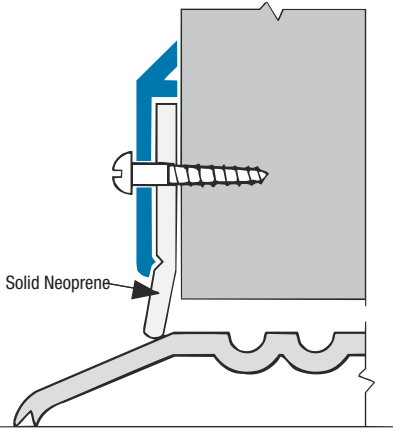
NOTE: FOR PROPER FIT, DO NOT CUT ANYTHING BEFORE MATERIALS ARE RECEIVED. Accurate Metal is not liable in any way for improper installation.

Class 85 - Polished Ext. Bronze, Class 86 - Dark Ext. Bronze, Class 88 - Mill Finish Ext. Bronze, Class 99 - Ext. Aluminum, *Designated Available In "Quaker Bronze Finish (Specify "D" After Material Number)

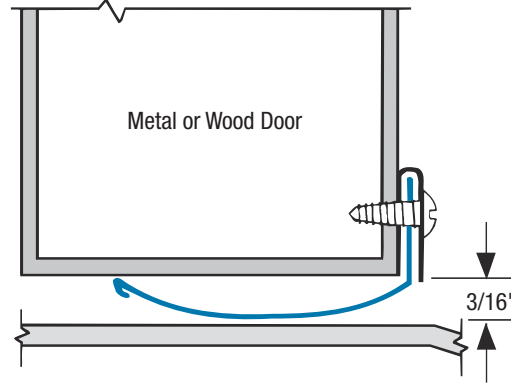
DOOR BOTTOMS

SOUNDPROOF & LIGHTPROOF

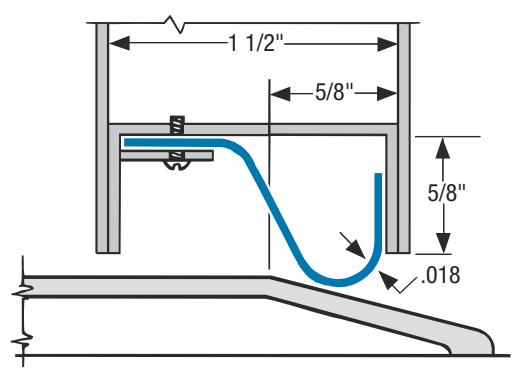
No: 950* Extruded Aluminum
No: 850 Bronze



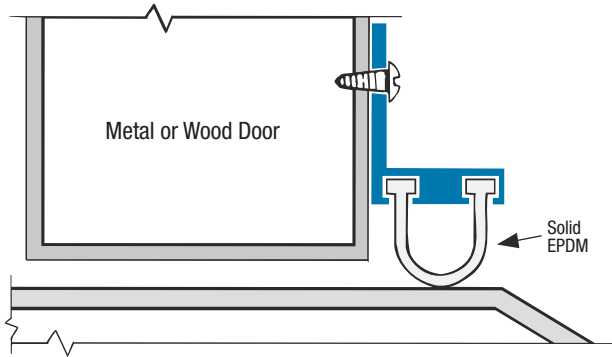
No: S158 Stainless Steel
No: B158 Bronze



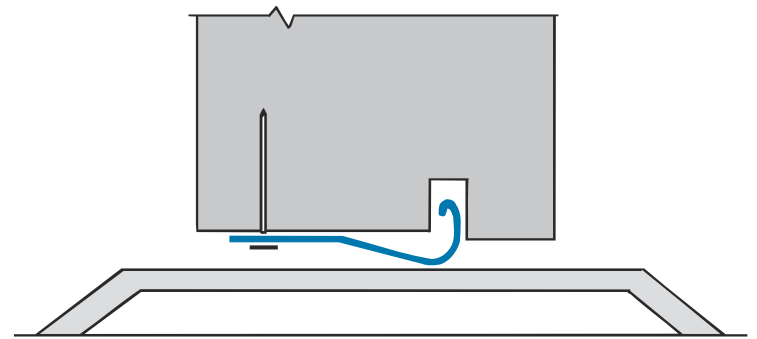
No: B142 Spring Bronze
No: S142 Stainless Steel



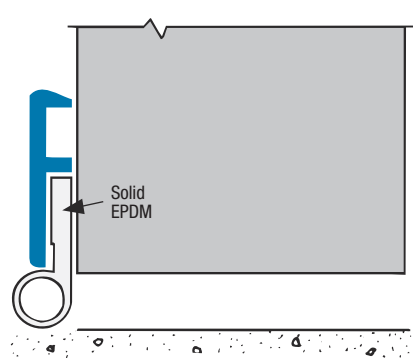
No: 953S Extruded Aluminum



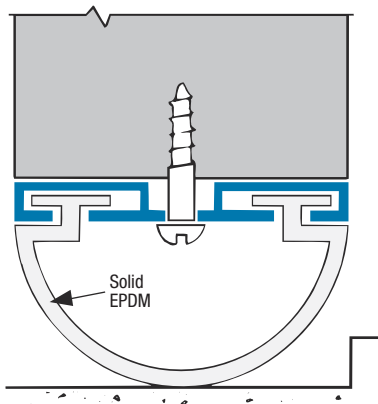
No: B135 Spring Bronze
No: S135 Stainless Steel



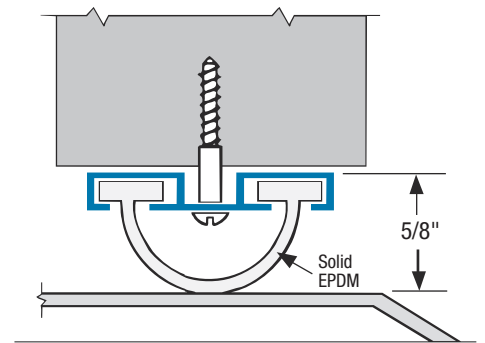
No: 192* Extruded Aluminum



No: 972 Extruded Aluminum
(For overhead doors, or hinge side of pivot door)



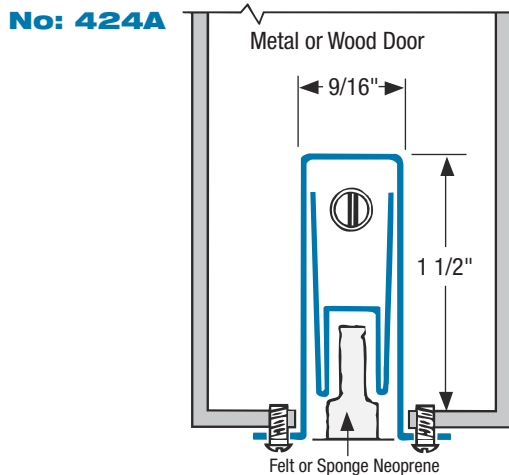
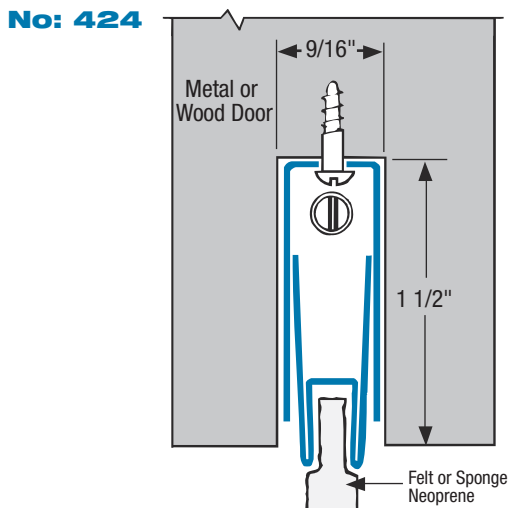
No: 952 Extruded Aluminum



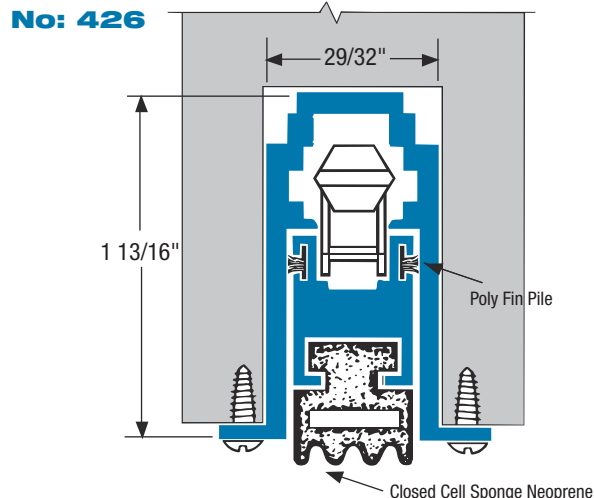
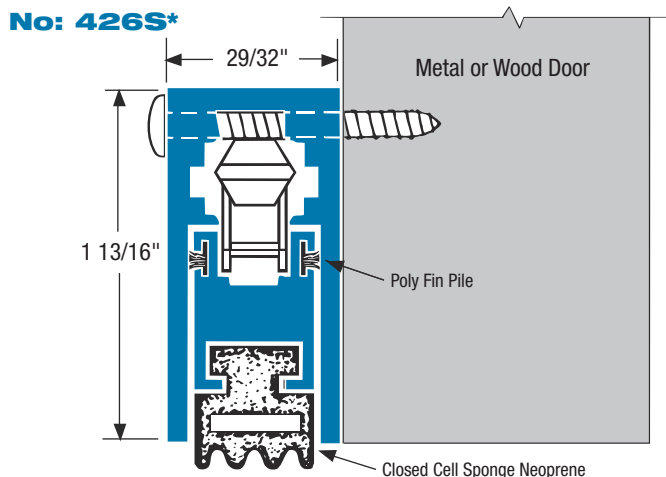
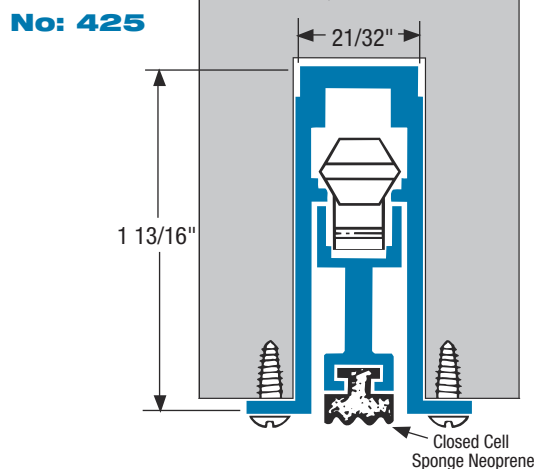
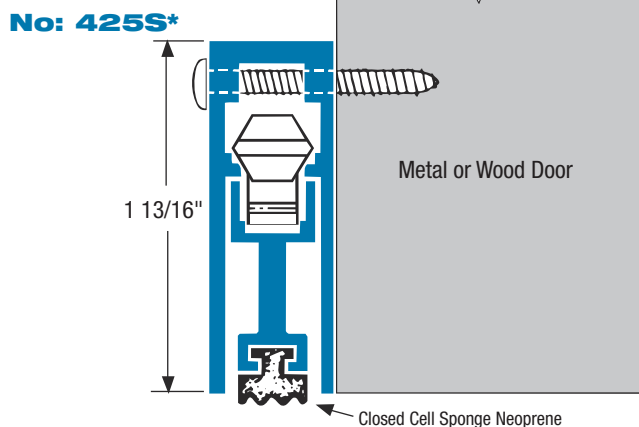
AUTOMATIC DOOR BOTTOMS

SOUNDPROOF & LIGHTPROOF

No: 424 & 424A Stock Sizes Available: 32" (81.3) & 36" (91.4), may be cut down to 22 1/2" (57.2) minimum. 42" (106.7) & 48" (121.9), may be cut down to 36" (91.4) minimum. Adjustable from 0" to 1" (2.5). Galvanized Steel Housing.



No: 425, 425S, 426 & 426S Stock Sizes Available: 32" (81.3), 36" (91.4), 42" (106.7) & 48" (121.9). All sizes may be cut down 10". Adjustable from 0" to 1" (2.5) drop. Nos. 425S & 426S available with bronze or stainless steel cover. Extruded Aluminum Housing



For Metric Conversion Table See Page 2

ACCURATE METAL WEATHER STRIP CO., INC.

ACCURATE

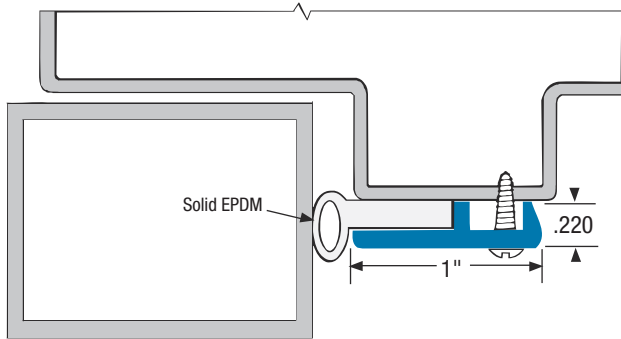
17

NOTE: FOR PROPER FIT, DO NOT CUT ANYTHING BEFORE MATERIALS ARE RECEIVED. Accurate Metal is not liable in any way for improper installation.
 Class 85 - Polished Ext. Bronze, Class 86 - Dark Ext. Bronze, Class 88 - Mill Finish Ext. Bronze, Class 99 - Ext. Aluminum, *Designated Available In "Quaker Bronze Finish (Specify "D" After Material Number)

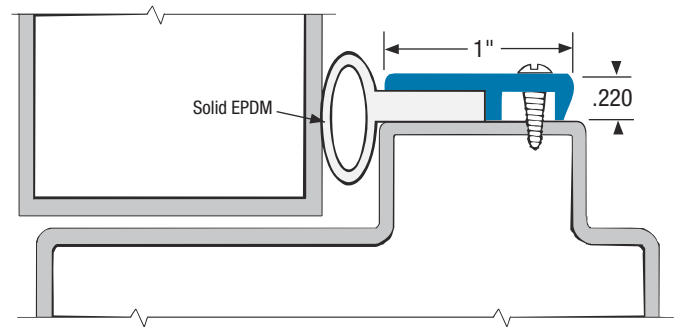
ADJUSTABLE DOORSTOPS

SOUNDPROOF & LIGHTPROOF

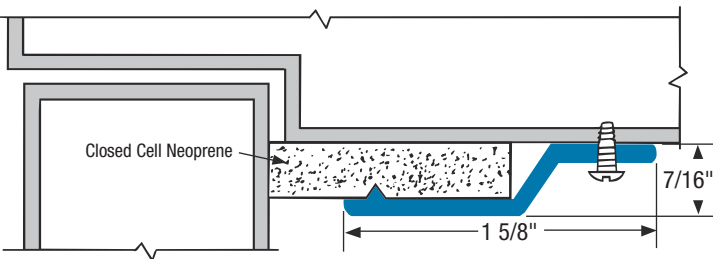
No: 192* Aluminum



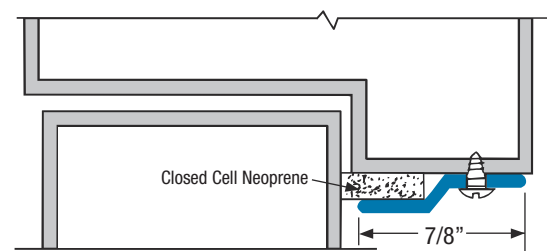
No: 191* Aluminum



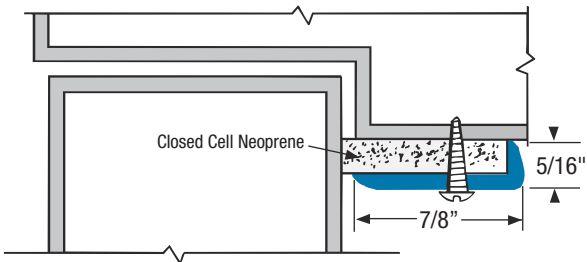
No: 904* Aluminum **No: 804** Bronze



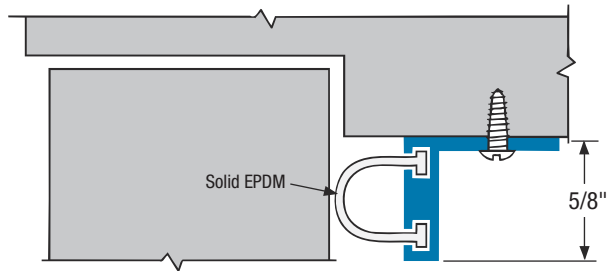
No: 9150* Aluminum **No: 8150** Bronze



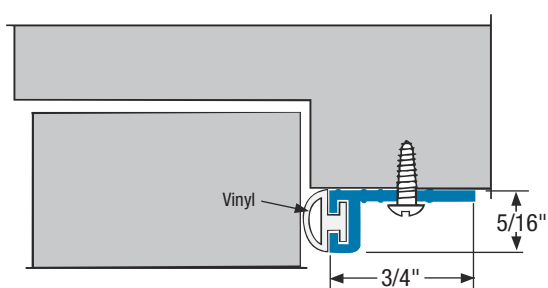
No: 903* Aluminum **No: 803** Bronze



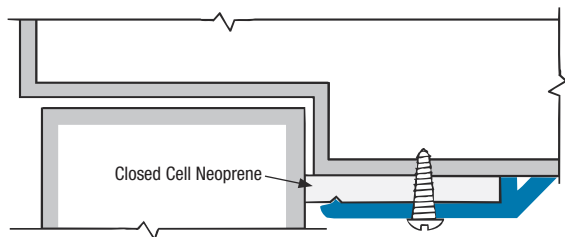
No: 953S Aluminum



No: 900A* Aluminum



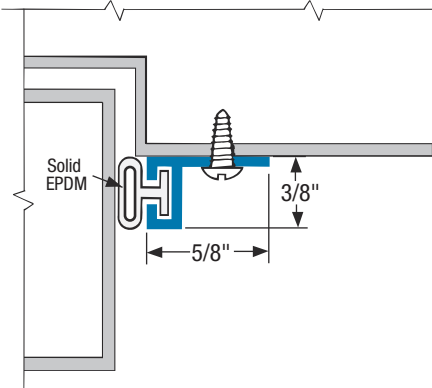
No: 950N* Aluminum **No: 850N** Bronze



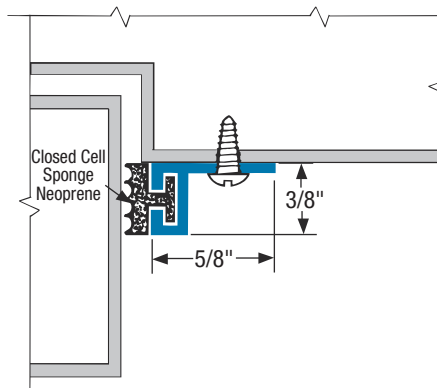
ADJUSTABLE DOORSTOPS

SOUNDPROOF & LIGHTPROOF

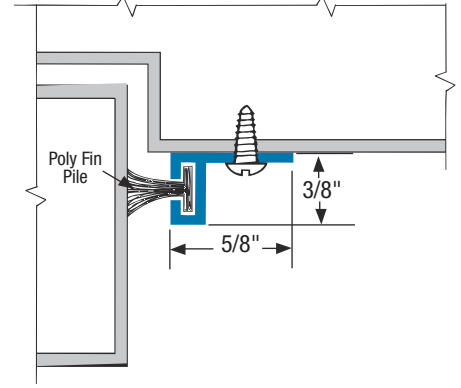
No: 2700V* Aluminum



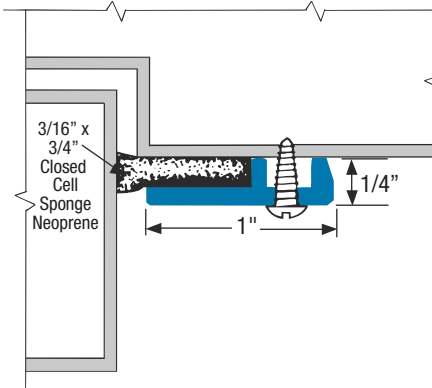
No: 2700N* Aluminum



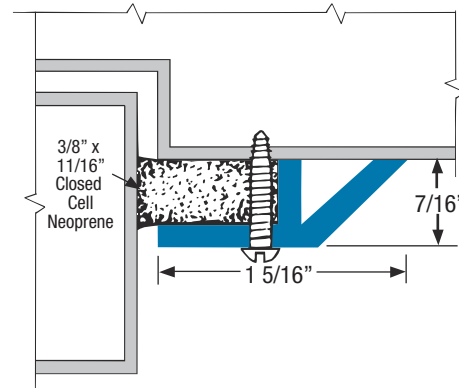
No: 2700P* Aluminum



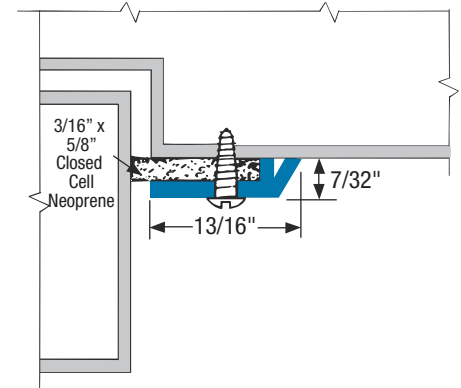
No: 3000* Aluminum



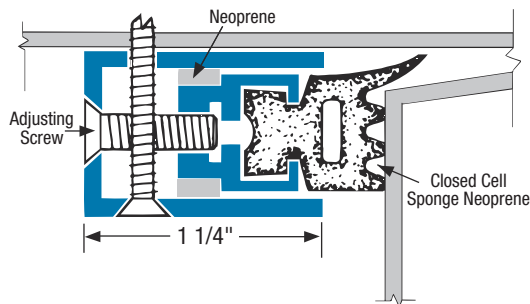
No: 2000* Aluminum



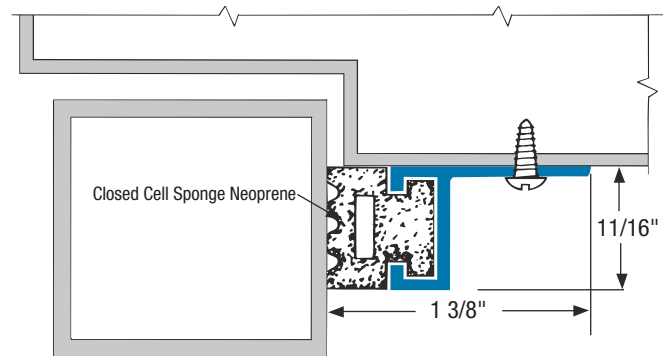
No: 1900* Aluminum



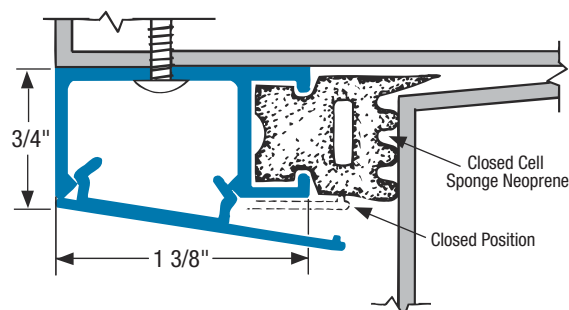
No: 1700* Aluminum



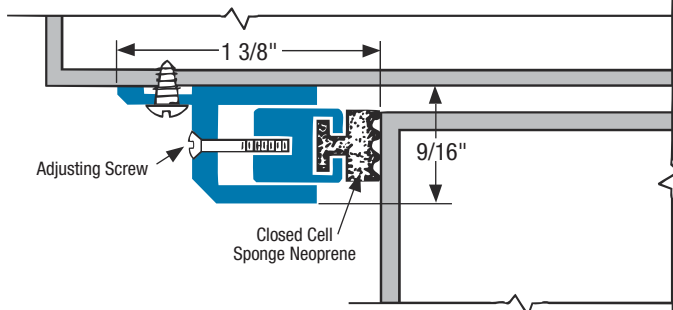
No: 2200* Aluminum



No: 1500* Aluminum



No: 1800N* Aluminum



For Metric Conversion Table See Page 2

ACCURATE METAL WEATHER STRIP CO., INC.

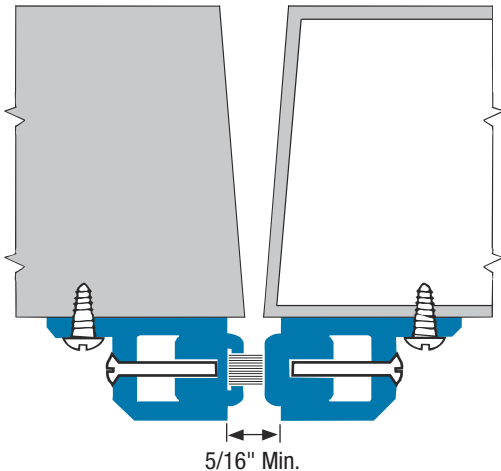
ACCURATE

NOTE: FOR PROPER FIT, DO NOT CUT ANYTHING BEFORE MATERIALS ARE RECEIVED. Accurate Metal is not liable in any way for improper installation.
 Class 85 - Polished Ext. Bronze, Class 86 - Dark Ext. Bronze, Class 88 - Mill Finish Ext. Bronze, Class 99 - Ext. Aluminum, *Designated Available In "Quaker Bronze Finish (Specify "D" After Material Number)

MEETING STILES

ADJUSTABLE ASTRAGLES

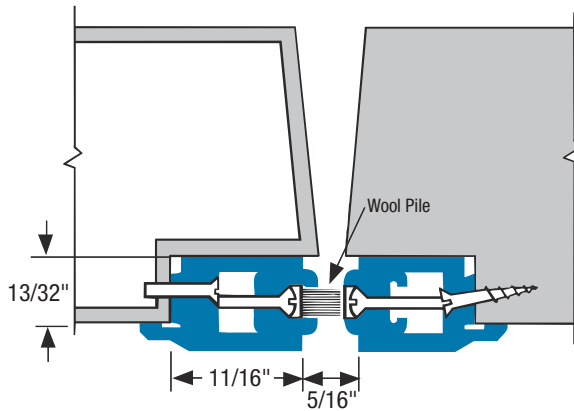
No: 9155* Aluminum/Surface Astragal
(For Wood or Hollow Metal Beveled Door Closure)



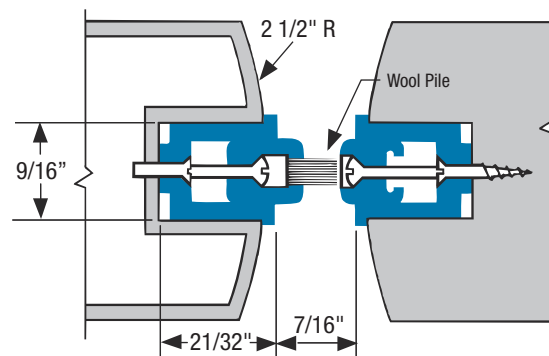
Reversible Adjustable Astragal

FEATURES: A unique plunger design which permits incorporation of a wool pile insert strip, for a more positive weather seal than has been possible before. For less critical applications, the same plunger can be reversed to provide the customary metal-to-metal contact. Adjustable astragals provide an efficient and proven method of compensating for expansion and contraction of doors. They are designed to fit any type of door-and-stop as closely as possible, to help prevent drafts and exclude dirt and dust. Equally suitable for use with wood or metal doors, the astragals are practical, simple, sturdy and easily adjustable. Constructed from two extruded members (frame and plunger) the astragals operate by means of a special spring in conjunction with adjustment screws located approximately 10" on center. The adjustment screws are provided with underhead lugs which mesh into corresponding grooves in the astragal, thus preventing the adjustment from being disturbed by vibration. In applications where two floating members are employed, be sure that wool pile insert strips are used on one side only providing a metal-to-pile contact. If pile is used for both members, making a pile-to-pile contact, excessive friction will be encountered.

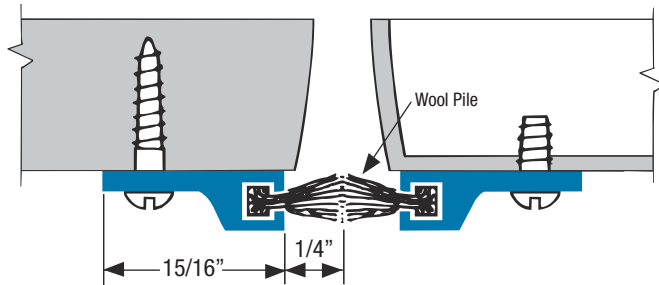
No: 9157* Aluminum/Half Mortise Astragal
(For Wood or Hollow Metal Beveled Door Closure)



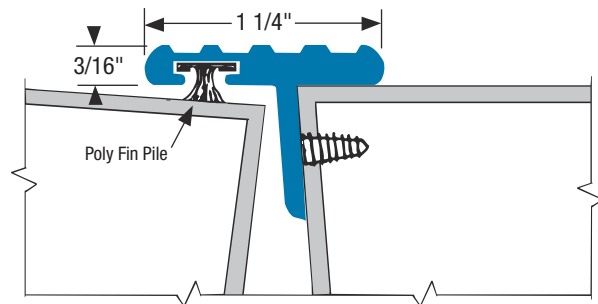
No: 9156* Aluminum/Mortise Astragal
(For Wood or Hollow Metal Bull-Nose Door Closure)



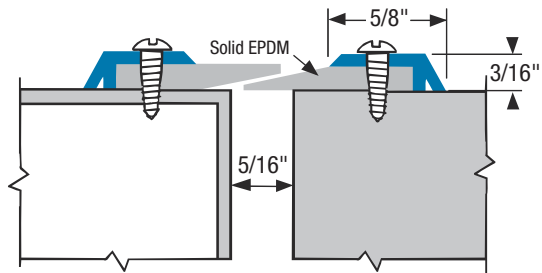
No: 901* Extruded Aluminum & Wool Pile



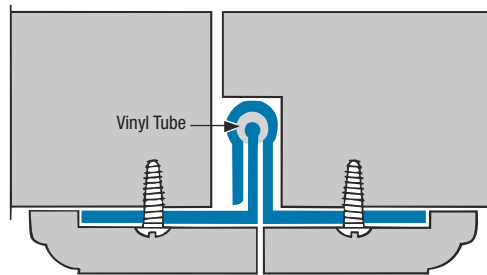
No: 1000P* Extruded Aluminum & Wool Pile



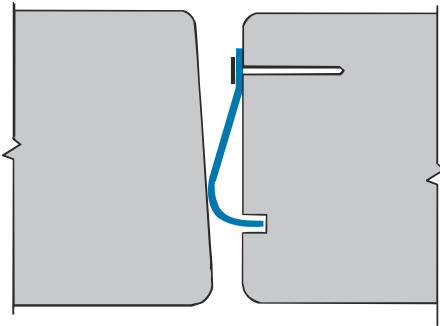
No: 9150M* Aluminum



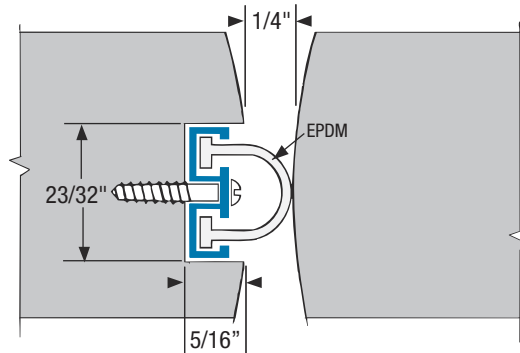
No: 9111* Extruded Aluminum



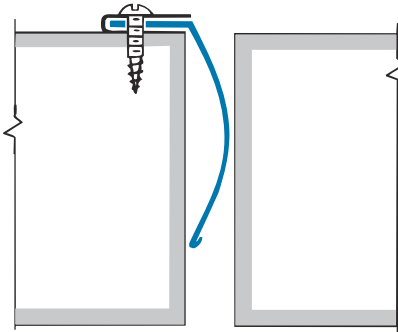
No: S160 Stainless Steel
No: B160 Bronze



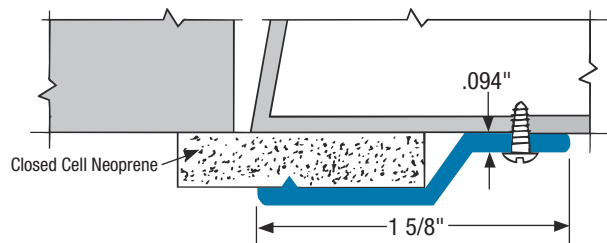
No: 953 Aluminum



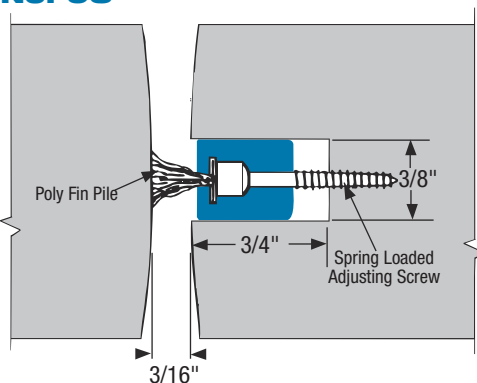
No: S158 Stainless Steel
No: B158 Bronze



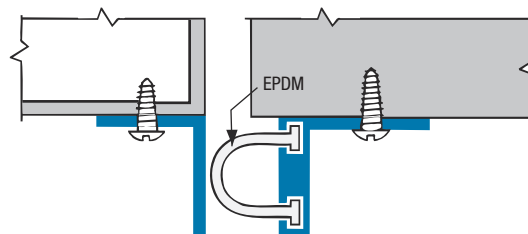
No: 904* Aluminum
No: 804 Bronze



No: 93



No: 953SL* Extruded Aluminum



For Metric Conversion Table See Page 2

ACCURATE METAL WEATHER STRIP CO., INC.

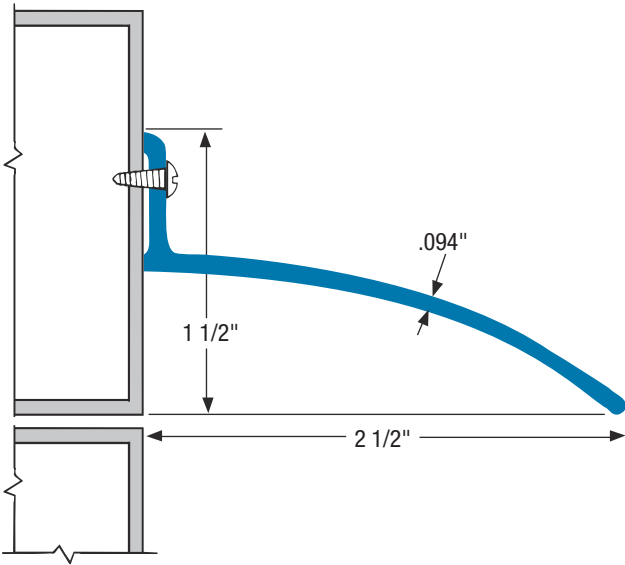
ACCURATE

NOTE: FOR PROPER FIT, DO NOT CUT ANYTHING BEFORE MATERIALS ARE RECEIVED. Accurate Metal is not liable in any way for improper installation.
Class 85 - Polished Ext. Bronze, Class 86 - Dark Ext. Bronze, Class 88 - Mill Finish Ext. Bronze, Class 99 - Ext. Aluminum, *Designated Available In "Quaker Bronze Finish (Specify "D" After Material Number)

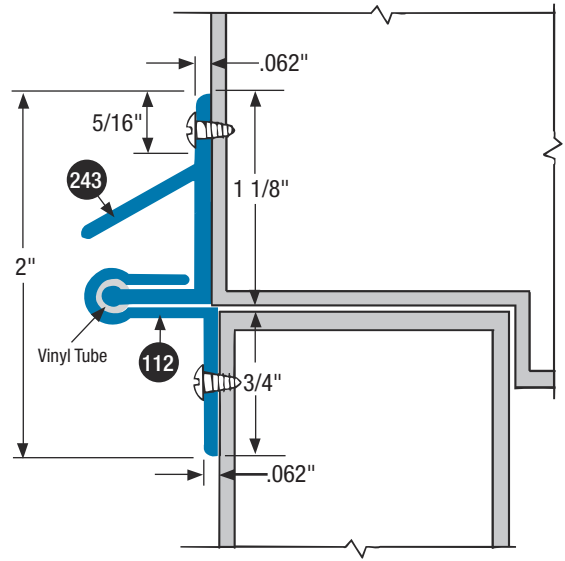
INTERLOCKING HINGED DOOR WEATHERSTRIPS

S U R F A C E

No: 15LC* Aluminum

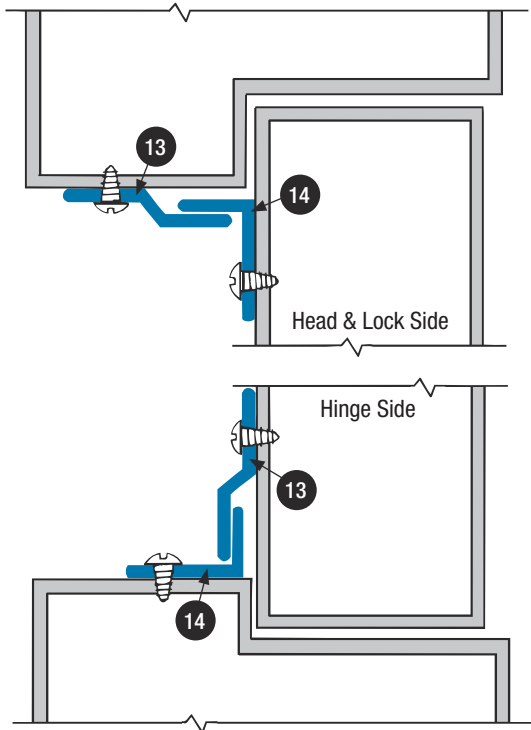


No: 243* Aluminum



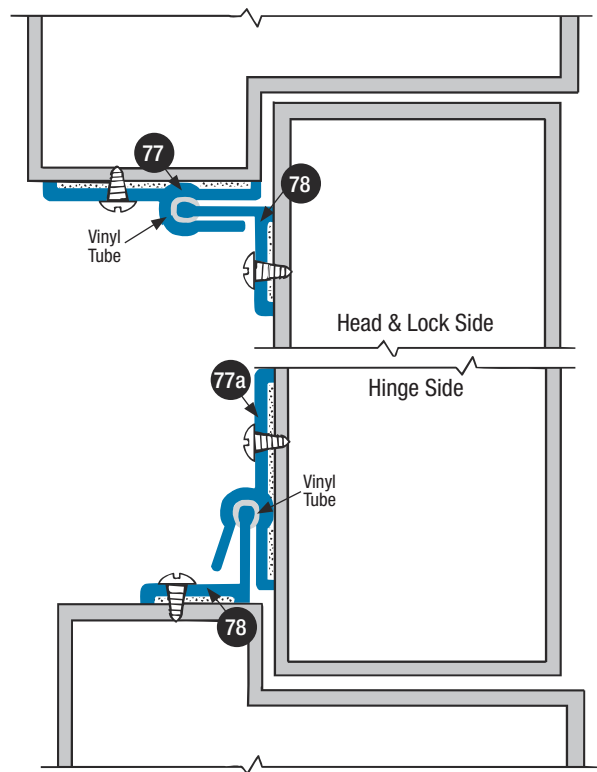
Series No: 725*

A13 & A14 Aluminum
B13 & B14 Bronze



Series No: 700*

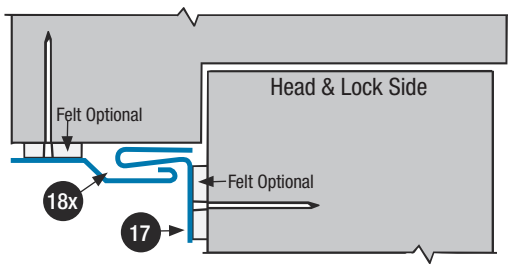
A77, A78 & A77a Aluminum
B77, B78 & B77a Bronze



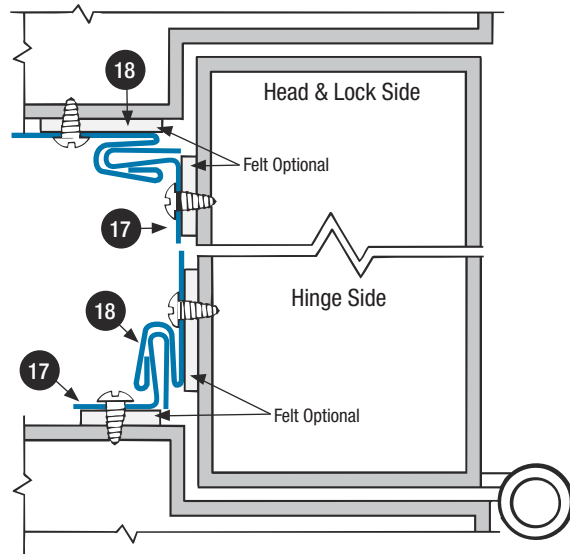
Kalamein or Wood Entrance Doors

For inswinging or outswinging doors. Generally used on metal covered wood doors or hollow metal doors where special grooving for concealed weather stripping has not been provided by manufacturer of door.

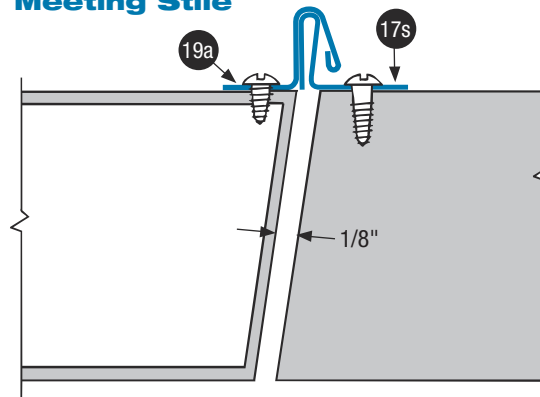
Series No: 550 Alternate



Series No: 550



Meeting Stile

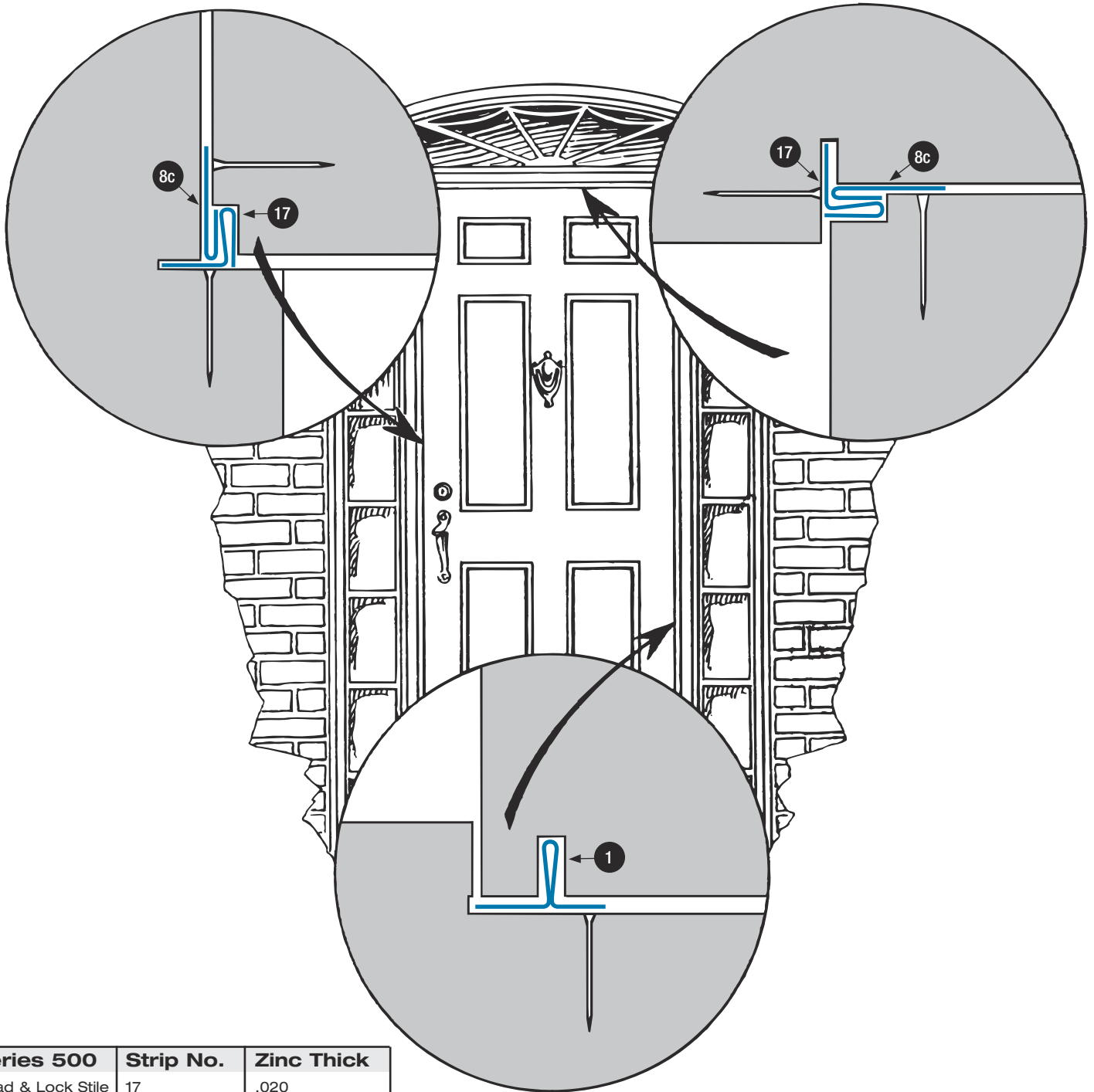


INTERLOCKING HINGED DOOR WEATHERSTRIPS

CONCEALED

Wood Entrance Doors

The best type of weather stripping for wood doors and casement windows. Properly installed, this type provides maximum efficiency for the life of the door or casement window.



Series 500	Strip No.	Zinc Thick
Head & Lock Stile	17	.020
	8c or 8	.018
Hinge Stile	1	.018

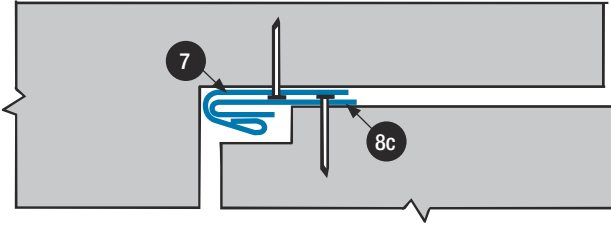
All Bronze is .020" thick.

INTERLOCKING HINGED DOOR WEATHERSTRIPS

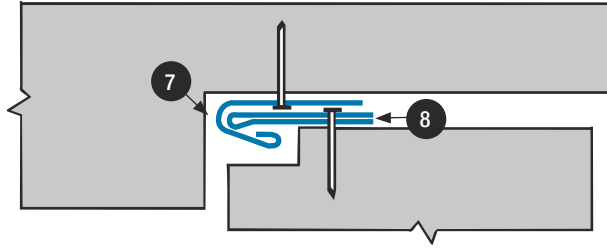
CONCEALED

Wood Entrance Doors

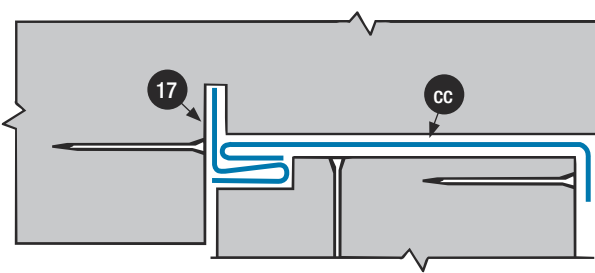
No: 7-8-C Head & Lock Side



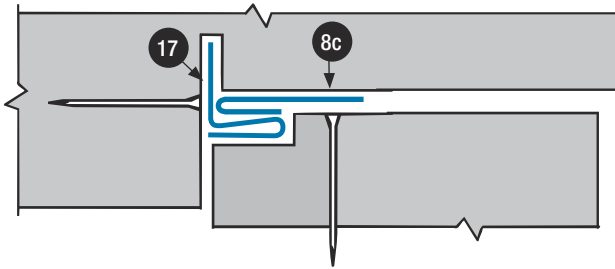
No: 7-8 Head & Lock Side



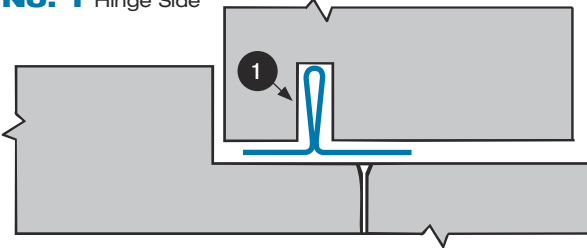
Style CC Combination cap & interlock
(.020" zinc or bronze cap used with interlocking weatherstripping)
Alternate head. CC-1 (1-3/4"), CC-2 (2-1/4")



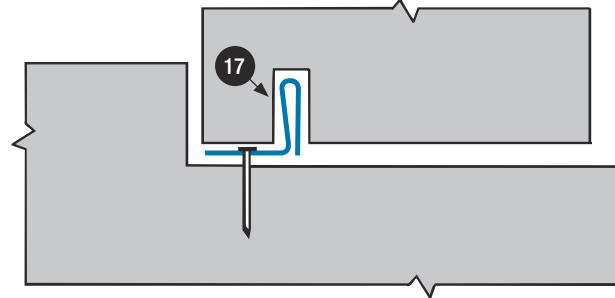
No: 17-8C Head & Lock Side



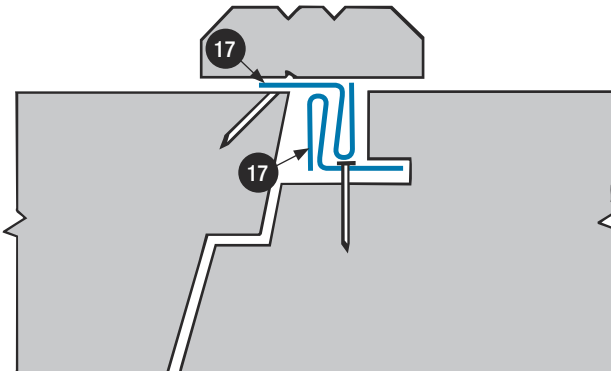
No: 1 Hinge Side



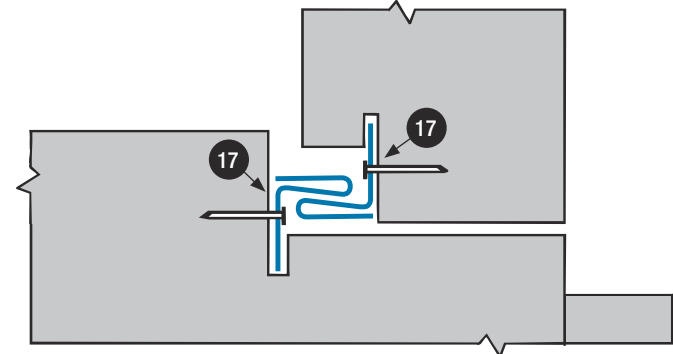
No: 17 Hinge Side



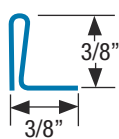
No: 17-17 Meeting Stile



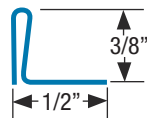
No: 17-17 Head & Lock Side



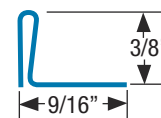
No: 17N



No: 17



No: 17S



For Metric Conversion Table See Page 2

ACCURATE METAL WEATHER STRIP CO., INC.

ACCURATE

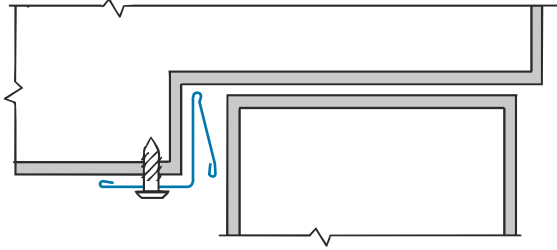
25

NOTE: FOR PROPER FIT, DO NOT CUT ANYTHING BEFORE MATERIALS ARE RECEIVED. Accurate Metal is not liable in any way for improper installation.
Class 85 - Polished Ext. Bronze, Class 86 - Dark Ext. Bronze, Class 88 - Mill Finish Ext. Bronze, Class 99 - Ext. Aluminum, *Designated Available In "Quaker Bronze Finish (Specify "D" After Material Number)

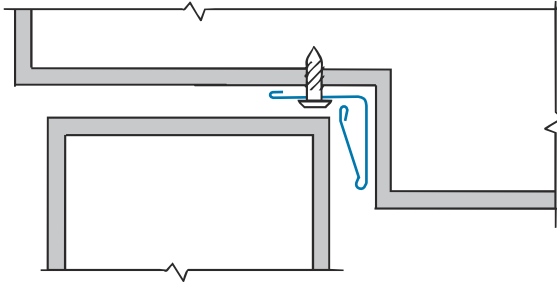
HINGED DOOR WEATHERSTRIPS

SPRING TYPE

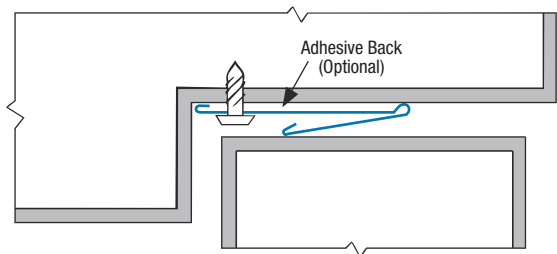
No: S118L Stainless Steel (.005" thick)
No: B118L Bronze (.0063" thick)



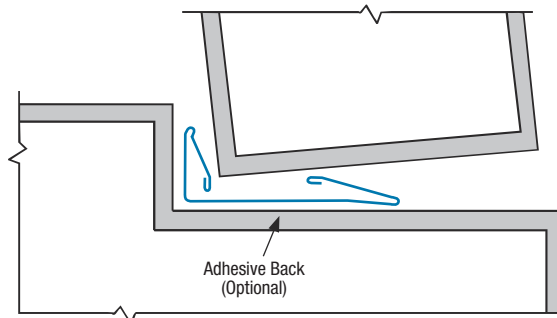
No: S183 Stainless Steel (.005" thick)
No: B183 Bronze (.0063" thick)



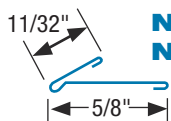
No: S182 Stainless Steel (.006 thick)
No: B182 Bronze (.009 thick)



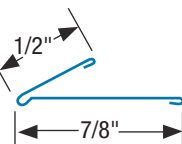
No: S184 Stainless Steel (.005" thick)
No: B184 Bronze (.0063" thick)



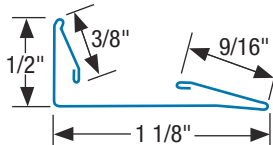
No: S180
No: B180



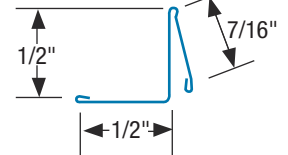
No: S181
No: B181



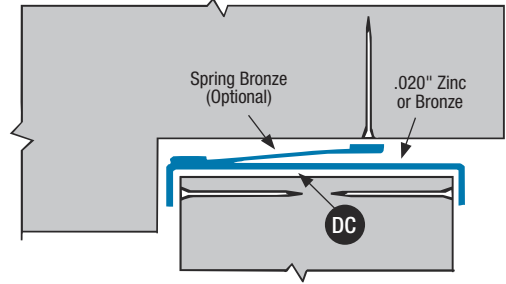
No: S184
No: B184



No: S118L
No: B118L

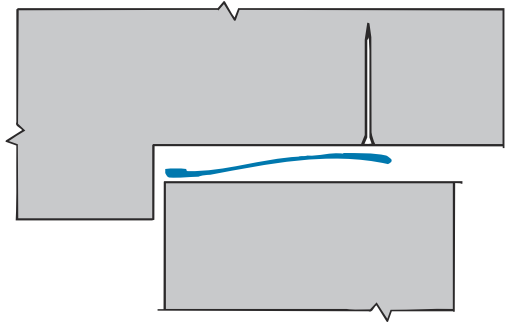


No: DC-1 (1-3/4") Drip Cap
No: DC-2 (2-1/4") Drip Cap

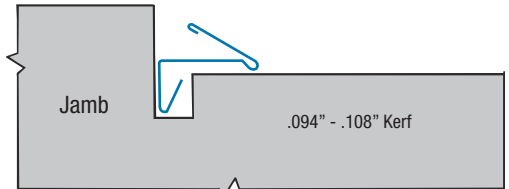


Series 600 Made of special .009" thick high tempered bronze which assures a permanent spring.

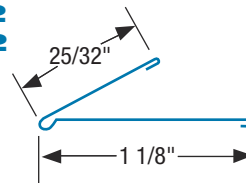
- B602 - 1" (2.5)
- B603 - 1 1/8" (2.9)
- B604 - 1 1/4" (3.2)
- B605 - 1 3/8" (3.5)
- B606 - 1 1/2" (3.8)



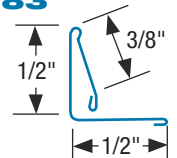
No: B185 Bronze (.0063")



No: S182
No: B182



No: S183
No: B183

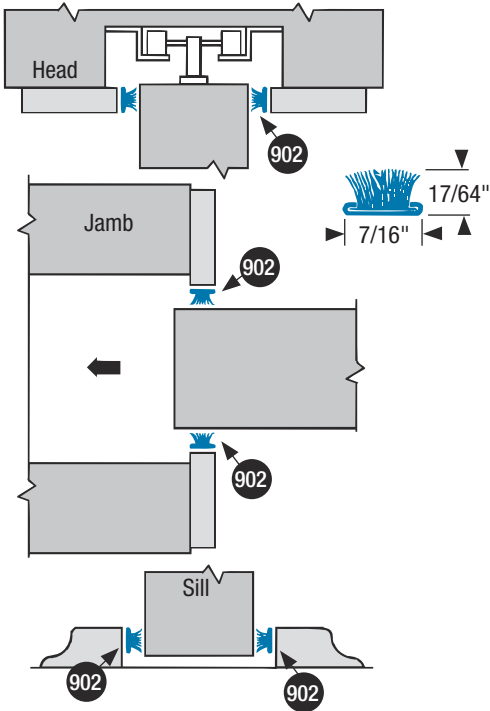


WEATHERSTRIPS

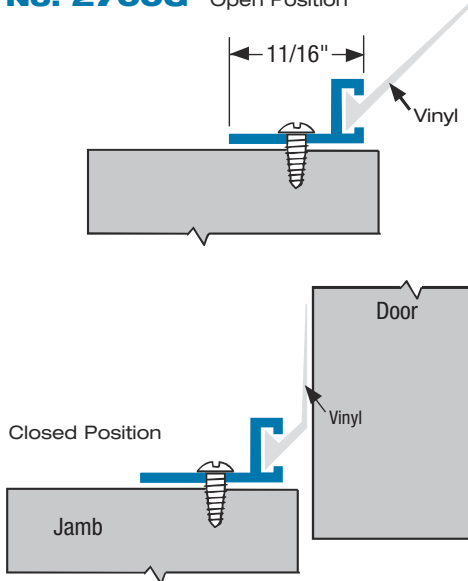
FOR INDUSTRIAL SLIDING DOORS

No: 902 Sliding Door

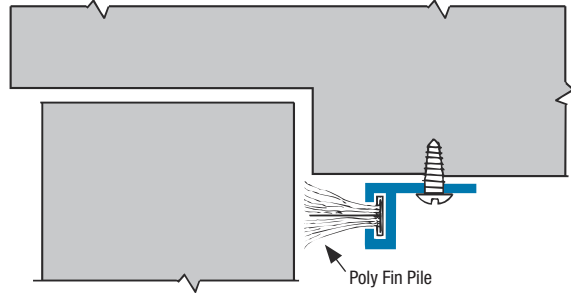
This wool pile encased in aluminum is extremely effective for light proofing on wood sliding doors



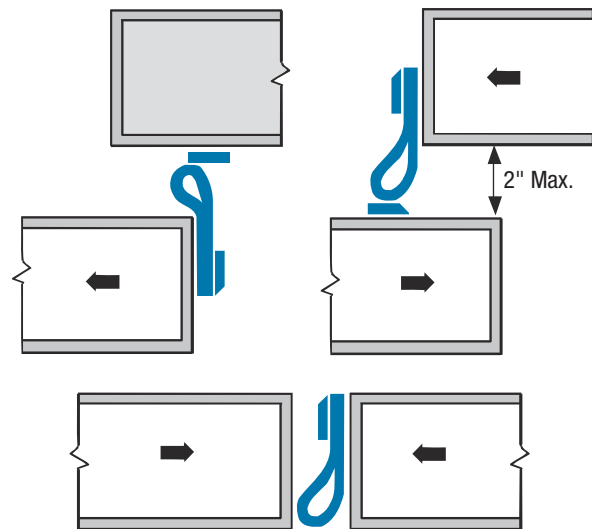
No: 2700G* Open Position



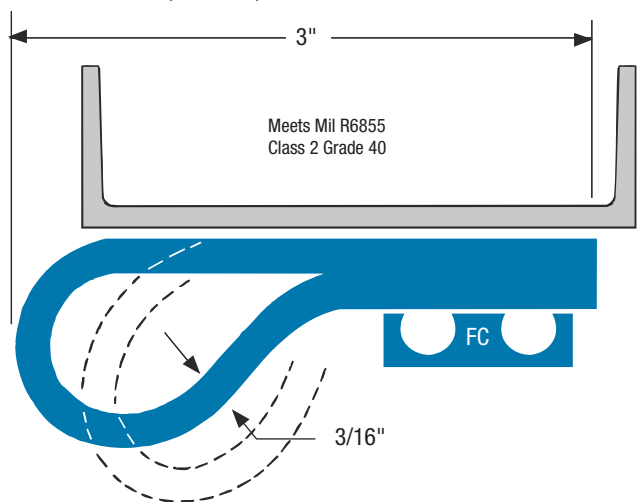
No: 2700*P



Aircraft Hanger Doors



No: LN Looped Neoprene



For Metric Conversion Table See Page 2

ACCURATE METAL WEATHER STRIP CO., INC.

ACCURATE

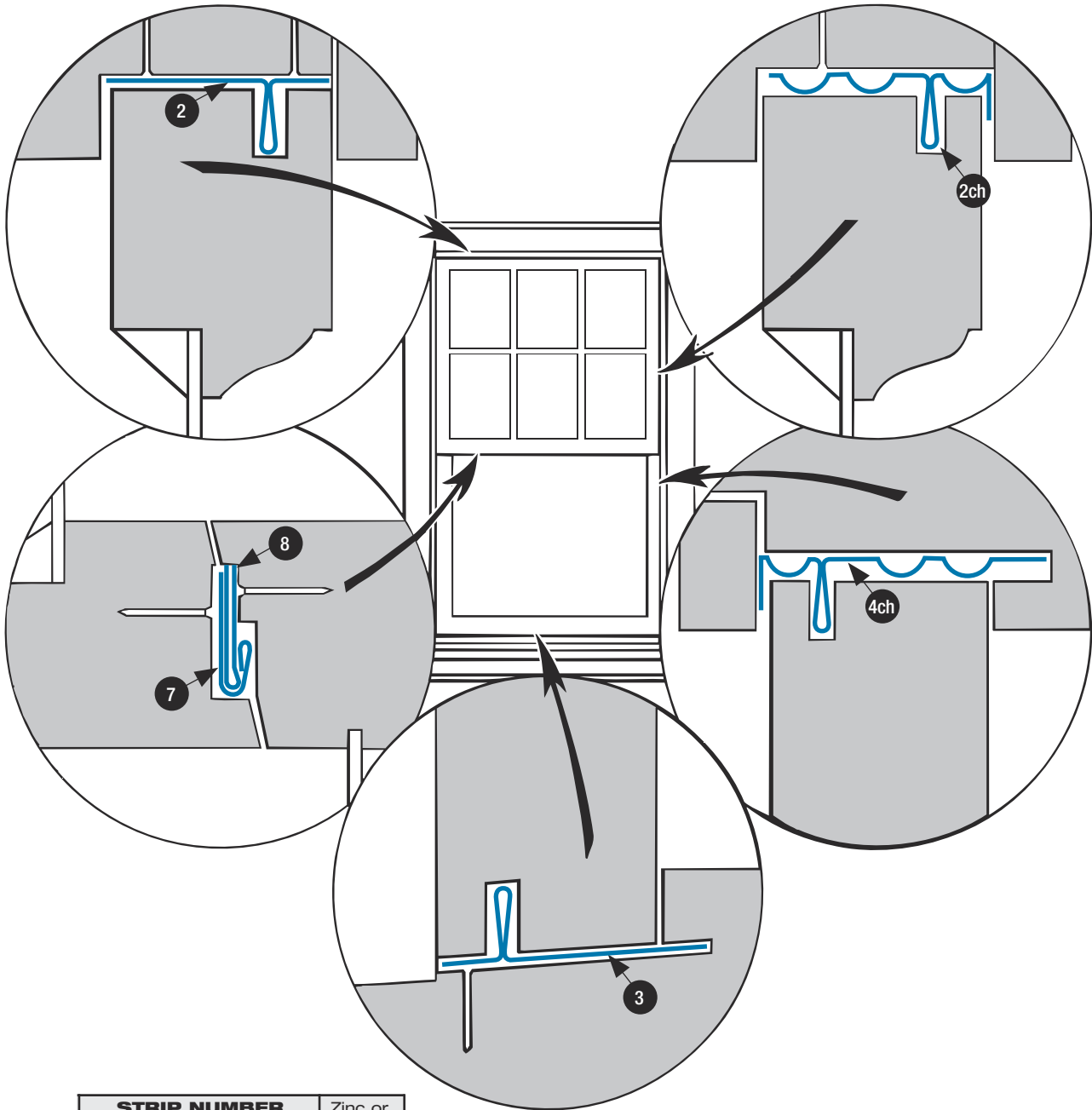
NOTE: FOR PROPER FIT, DO NOT CUT ANYTHING BEFORE MATERIALS ARE RECEIVED. Accurate Metal is not liable in any way for improper installation.
 Class 85 - Polished Ext. Bronze, Class 86 - Dark Ext. Bronze, Class 88 - Mill Finish Ext. Bronze, Class 99 - Ext. Aluminum, *Designated Available In "Quaker Bronze Finish (Specify "D" After Material Number)

WINDOW WEATHER STRIPS

DOUBLE HUNG WINDOWS

Series No: 10-Up 1 3/8" or 1 3/4" Double Hung Sash

Accurate series 10UP equipment in zinc or bronze is standard for residential or light commercial construction. Grooving the sash next to the parting stops, and mitering the tongues at the corners, provides a continuous seal all around the window



Series No. 10-UP	STRIP NUMBER		Zinc or Bronze Inches Thick	How Attached
	1 3/8" Sash 10-UP	1 3/4" Sash 10B-UP		
Head	2	3	.018	Nails
Sill	3	6	.018	Nails
Meeting Rail	7	7	.020	Nails
	8	8	.018	
Upper Sides	2CH	3CH	.018	Nails
Lower Sides	4CH	5CH	.018	Nails

All bronze is .020" thick unless noted heavier.

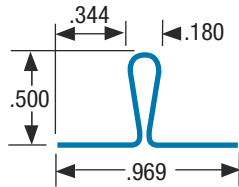
WINDOW WEATHER STRIPS

DOUBLE HUNG WINDOWS

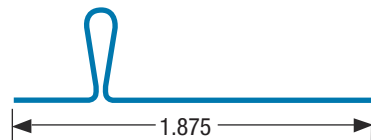
Series No. 10X (1 3/4" sash or 2 1/4" sash)

Similar to Series 10UP with the exception of having a higher and wider tongue (groove is 3/16" x 1/2"). Used in schools, institutions and hotels on 1 3/4" sash. Always recommended for 2 1/4" sash. Thickness of material: Zinc - .018": No. 1X is also available in .028" and .045". Bronze material is .020".

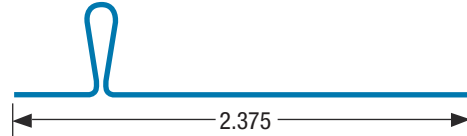
No: 1X



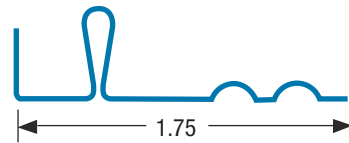
No: 3X



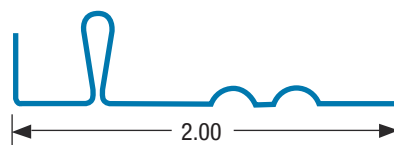
No: 6X



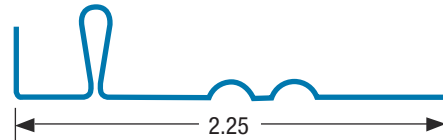
No: 4CHX



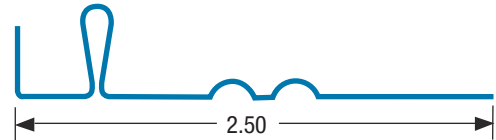
No: 5CHX



No: 6CHX



No: 7CHX



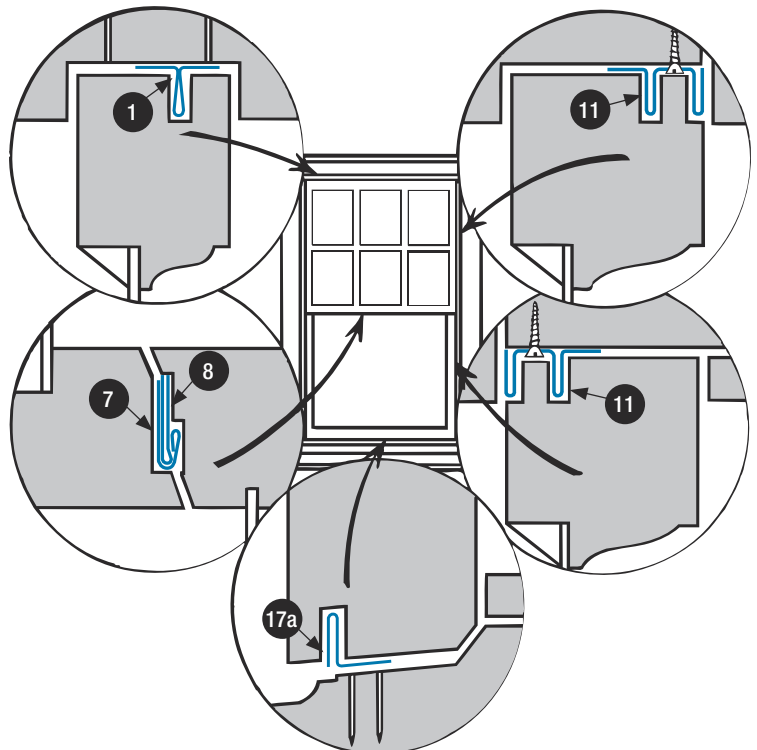
Series No. 20 Double Groove Type

A highly efficient type for the better class work.

Features: this equipment gives double contact at sash cord borings and on pulley stiles. The pulley stile strips are attached with screws, permitting easy removal. After sash are squared, variation in alignment is corrected by packing out the No. 11 type strip with waterproofing Ruberoid strips making the pulley stile members parallel.

Series No. 20	Strip Number (All Sash Thickness)	Zinc or Bronze Inches Thick	How Attached
Head	1	.018	Nails
Sill	17a	.028	Nails
Meeting Rail	7	.020	Nails
	8c	.018	
Upper Sides	11	.018	Nails or Screws
Lower Sides	11	.018	Nails or Screws

How to Specify: all double hung windows shall be equipped with Metal Weather Strips, Series No. 20 equipment, with heavy duty 12 gauge sill member and double tongue side members, all zinc (or cold rolled bronze) in accordance with manufacturer's standards.



WINDOW WEATHER STRIPS

DOUBLE HUNG WINDOWS

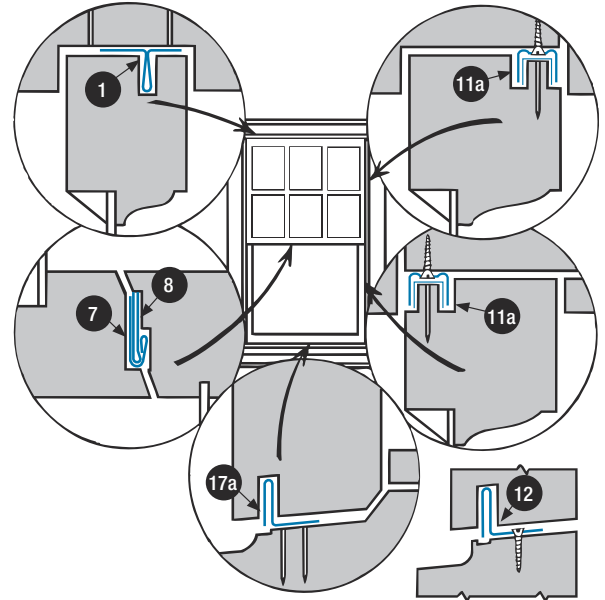
Series No. 30 Heavy Duty Type

Ideal for use in schools, office buildings, hospitals and institutions where ruggedness is a prime requisite.

Features: a heavy No. 16 gauge channel is screwed to the pulley stiles and engages a channel type lining on the sash to provide an efficient and extremely durable installation.

How to Specify: all double hung windows shall be equipped with Metal Weather Strips, Series No. 30 equipment with heavy duty No. gauge sill member, all zinc (or cold rolled bronze) in accordance with manufacturer's standards. Note: specify gauge of sill member desired. No. 12 gauge sill is required to meet government specifications

Series No. 30	Strip Number (All Sash Thickness)	Zinc or Bronze Inches Thick	How Attached
Head	1	.018	Nails
Sill	17a (or 12)	.028 .045	Nails Screws
Meeting Rail	7	.020	Nails
Upper Sides	8	.018	
Lower Sides	11a	.045	Nails & Screws
	11a	.045	Nails & Screws



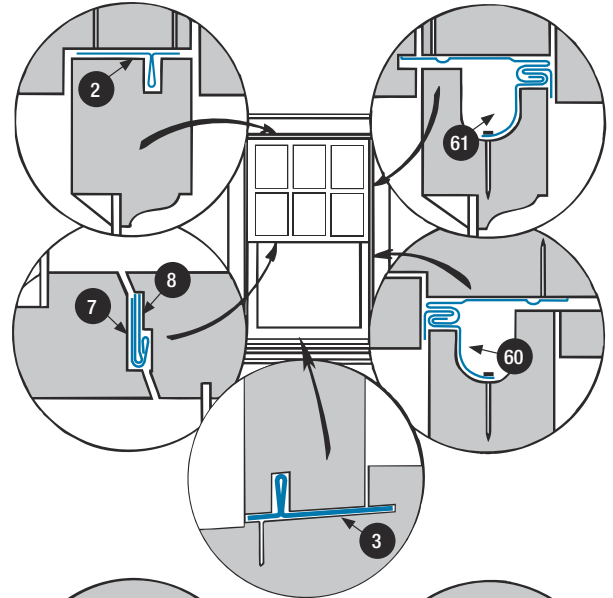
Series No. 35 Unique Balance Type

Designed especially for use with Unique Balance Sash.

Features: the interlocking strip offers weather tight construction without interfering with the operation of the balance. It also allows for expansion and contraction of the sash.

How to Specify: all double hung windows shall be equipped with Unique Sash Balances shall be equipped with Series No. 35 equipment, all zinc (or cold rolled bronze) in accordance with manufacturer's standards

Series No. 35	STRIP NUMBER		Zinc or Bronze Inches Thick	How Attached
	1 3/8" Sash	1 3/4" Sash		
Head	2	3	.018	Nails
Sill	3	6	.018	Nails
Meeting Rail	7	7	.020	Nails
	8	8	.018	
Upper Sides	61	61a	.018	Nails
Lower Sides	60	60a	.018	Nails

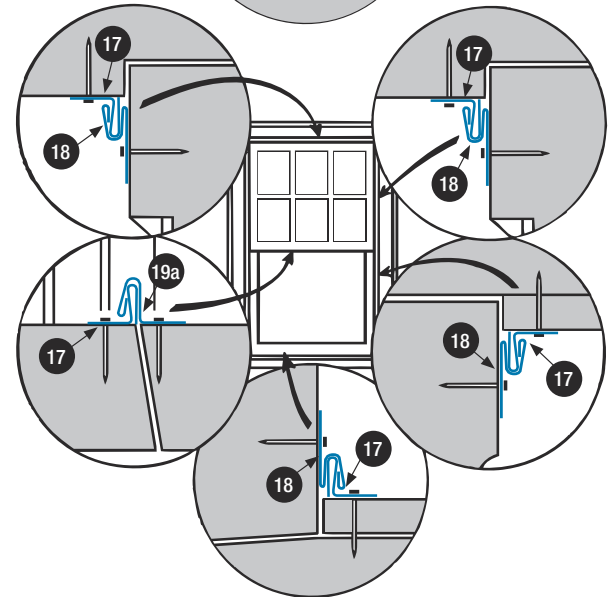


Series No. 60 Kalamein Sash

Used on metal covered wood sash or hollow metal sash where special grooving for concealed weather stripping has not been provided by manufacturer of sash. We suggest that Architects request our shop drawings of required grooving for concealed type, before fabrication of sash.

How to Specify: all metal covered or hollow metal double hung windows shall be equipped with Metal Weather Strips, Series No. 60 equipment, all zinc (or cold rolled bronze) in accordance with manufacturer's standards.

Series No. 30	Strip Number (All Sash Thickness)	Zinc or Bronze Inches Thick	How Attached
Head	17	.020	Nails or Screws
	18	.020	Nails or Screws
Sill	17	.020	Nails or Screws
	18	.020	Nails or Screws
Meeting Rail	17	.020	Nails or Screws
	19a	.020	Nails or Screws
Upper Sides	17	.020	Nails or Screws
	18	.020	Nails or Screws
Lower Sides	17	.020	Nails or Screws
	18	.020	Nails or Screws



WINDOW WEATHER STRIPS

CASEMENT WINDOWS

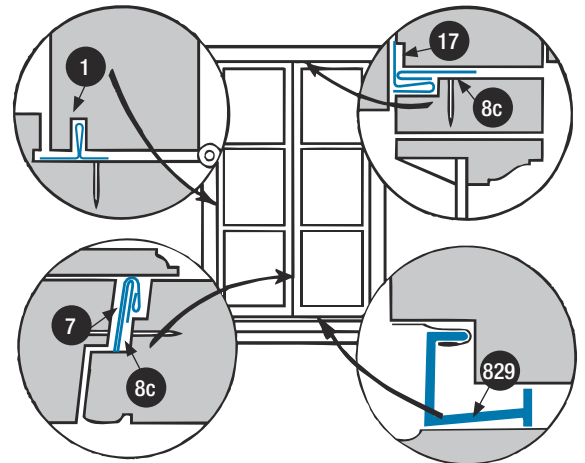
Series No. 80 Inswinging Wood Casement

Interlocking type weather strips for inswinging wood casements.

Features: special attention is given to inswinging casement windows to prevent water leakage. Trough type equipment at sill is essential to effect proper drainage.

How to Specify: all inswinging wood casements shall be equipped with Metal Weather Strips, Series No. 80 equipment, zinc or bronze with No.....sill, in accordance with manufacturer's standards.

Series No. 80	STRIP NUMBER		Zinc or Bronze Inches Thick	How Attached
	Sash 1 3/4" To 2 1/4" (80A)	Sash 1 1/8" To 1 3/8" (80B)		
For Head & Lock Stile	8c	8c	.018	Nails
Hinged Stiles	17	17	.020	Nails
Sill	1	1	.018	Nails
Meeting Stiles	829 Extruded	29b 29z		Screws
	7	7	.020	Nails
	8c	8c	.018	



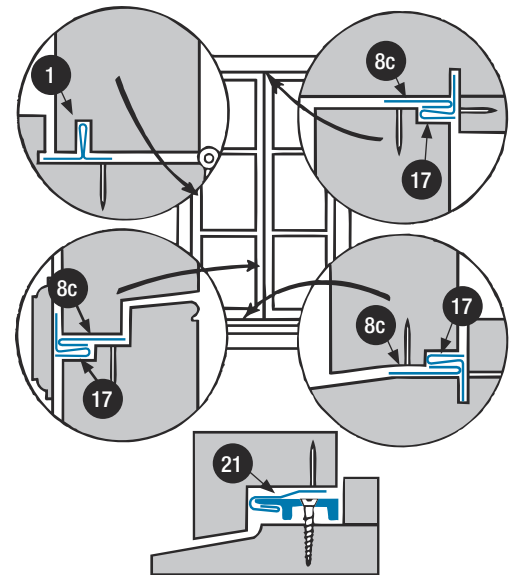
Series No. 90 Outswinging Wood Casement

A simple yet efficient design for the most severe conditions.

Features: sturdy interlocking type weather strip. If desired, brass saddle may be used at sill. No. 823, as shown at right, is recommended for this purpose.

How to Specify: all outswinging wood casements shall be equipped with Metal Weather Strips, Series No. 90 equipment, zinc or bronze, and with No.....sill member, in accordance with manufacturer's standards.

Series No. 90	Strip Number (All Sash Thickness)	Zinc or Bronze Inches Thick	How Attached
Head & Lock Stiles	8	.018	Nails
Hinged Stiles	17	.020	Nails
Sill	1	.018	Nails
	823(extruded)		Screws
Meeting Stiles	21		Nails
	17	.020	Nails
	8c	.018	Nails

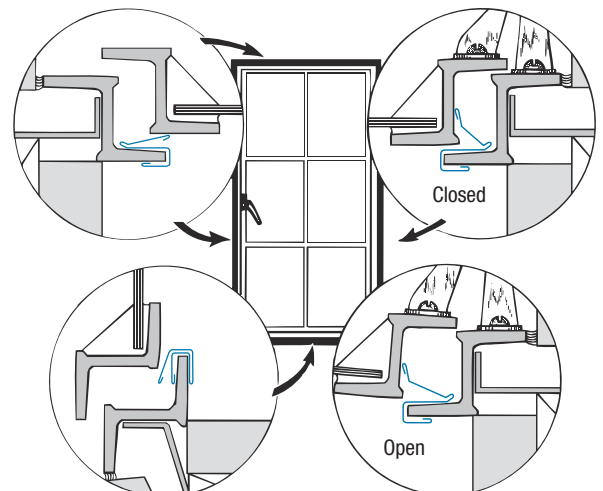


Series No. 100 All Types of Metal Casements

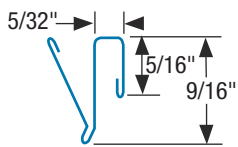
Weather strip details vary with make and type.

Features: the drawing at right illustrates the most efficient type of Steel Sash Equipment for average conditions. However, the many variations found in steel sash construction usually find special details advisable.

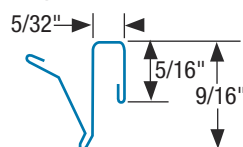
How to Specify: All steel casements shall be equipped with Metal Weather Strips, Series No. 100 equipment, special spring bronze, or stainless steel 35B & S gauge in accordance with manufacturer's standards.



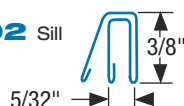
200 Head/Lock



201 Hinge



202 Sill



For Metric Conversion Table See Page 2

ACCURATE METAL WEATHER STRIP CO., INC.

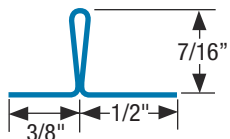
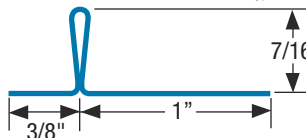
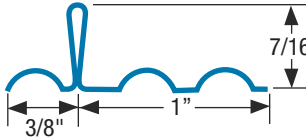
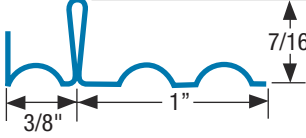

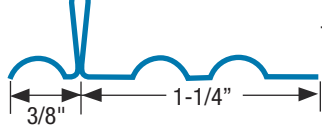
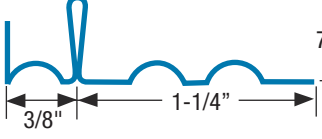
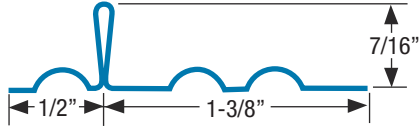
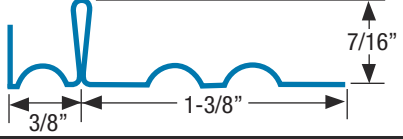
ACCURATE

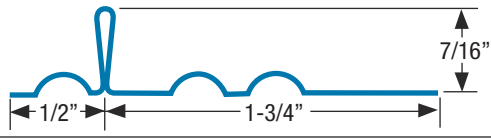
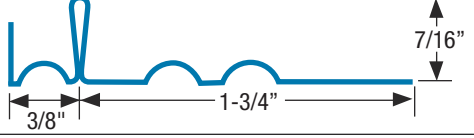
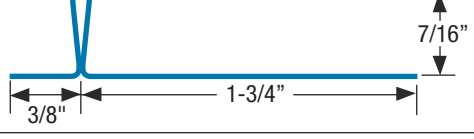

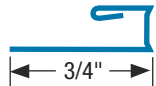

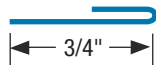
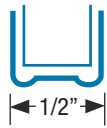
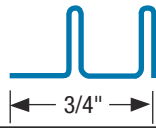
31

NOTE: FOR PROPER FIT, DO NOT CUT ANYTHING BEFORE MATERIALS ARE RECEIVED. Accurate Metal is not liable in any way for improper installation.

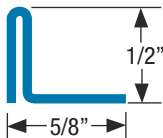
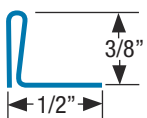
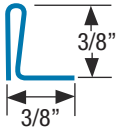
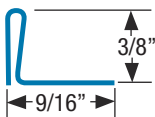
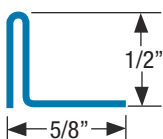
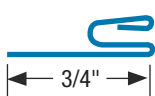
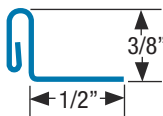


Class 85 - Polished Ext. Bronze, Class 86 - Dark Ext. Bronze, Class 88 - Mill Finish Ext. Bronze, Class 99 - Ext. Aluminum, *Designated Available In "Quaker Bronze Finish (Specify "D" After Material Number)

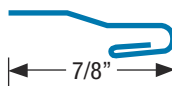
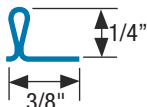

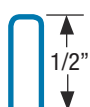
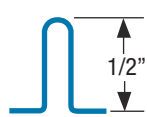
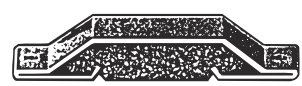
INTERLOCKING WEATHER STRIPS

Item	Thick	Description
1	0.018	Plain Rub Strip 1" Base 
2	0.018	Plain Rub Strip 1-3/8" Base 
2c	0.018	Side Strip 1-3/8" Base 
2ch	0.018	Side Strip 1-3/8" Base 
3	0.018	Plain Rub Strip 1-5/8" Base 
3c	0.018	Side Strip 1-5/8" Base 
3ch	0.018	Side Strip 1-5/8" Base 
4c	0.018	Side Strip 1-7/8" Base 
4ch	0.018	Side Strip 1-3/4" Base 

Item	Thick	Description
5c	0.018	Side Strip 2-1/4" Base 
5ch	0.018	Side Strip 2-1/8" Base 
6	0.018	Plain Rib Strip 2-1/8" Base 
7	0.02	Meeting Rail Hook 
7s	0.02	Meeting Rail Hook 
8	0.018	Meeting Rail Flat 
8c	0.018	Meeting Rail Flat 
11a	0.018 0.045	Side Strip Liner & Channel 
11	0.018	Side Strip Simplex Type 

INTERLOCKING WEATHER STRIPS

Item	Thick	Description
12	0.045	Sill Strip 
17	0.020	Regular Single Base 
17n	0.020	Narrow Single Base 
17s	0.020	Wide Single Base 
17a	0.028	Heavy Single Base 
18	0.020	Surface Interlock 
19a	0.018	Surface Interlock 
20	0.018	Series 10UP Liner Strip 3/16" Groove 
20a	0.018	Series 10UP Liner Strip 3/16" Groove 

Item	Thick	Description
21	0.018	Interlock For Thresholds 
22	0.018	Lock Strip 9" Interlock 
22h	.006 Bronze .005 Steel	Spring Brone Lock Strip 9" Stainless Steel 
30	0.018	Series 10x Liner Strip 7/32" Groove 
31	0.018	Series 10x Liner Strip 7/32" Groove 
217	0.018	Meeting Rail Block 
		Note: All bronze is .020" thick unless noted heavier.

TERMS & CONDITIONS OF SALE

TERMS: All prices are F.O.B. factory. Minimum charge \$50.00 net. Customers with satisfactory credit rating and/or account status, terms of 1% 10 days net 30 will be allowed. All others C.O.D. payable in U.S. currency. Interest at 1 1/2% per month (18% per year) will be charged on all past due balances after 30 days. The purchaser agrees to pay all cost of collection, including a reasonable attorney's fee in the event the invoice is placed with an attorney for collection whether a suit is brought or not. Account unpaid after 60 days will be subject to C.O.D. shipment. A \$25.00 service fee will be charged for all bank returns.

RETURNS & ALLOWANCES: No merchandise will be accepted for return unless prior approval is obtained. Merchandise must be of resalable size and condition. A 30% charge plus freight will be made for returns. Material which is not of recent sale (60 days), made to special order or non-stock items are not returnable.

CLAIMS: All claims for shortages and/or damage in transit must be made within 10 days of receipt of goods. Defective goods shall be replaced, however, no claims for delays, damage incurred or work done thereon will be allowed.

MATERIAL LENGTH: Most extrusions are 15' - 3" in length. On certain items, cut lengths which produce a drop off of under 7' will be charged as 15' - 3". Bronze, zinc and stainless steel weather-strip materials are stocked in the following lengths: 32", 36", 42, 48", 60" 72", 86", 96" plus 1/2" extra for fitting. Bronze extrusion stock sizes: 30", 32", 37", 43", 49", 61", 65", 73", 85", 97", 109", 121", 133", 145", 185". If the size you order is larger than the stock size, your bill will reflect the cost of the next larger stock size.

Terms, prices, discounts and product availability are subject to change without notice.

MANUFACTURING FACILITIES

Due to the efficient manufacturing facilities, purchasers of all "ACCURATE" metal weather strips are assured dependable workmanship and prompt service. All departments are located under one roof in a completely equipped, modern, fire proof building which is owned by the company.

ARCHITECT CONSULTING SERVICE

Satisfactory results from weatherstrip depend upon three major factors:

1. Quality of equipment.
2. Selection of equipment designed to meet the individual conditions & requirements.
3. Proper installation. Where time permits, we strongly urge that you permit us to submit complete and specific recommendations.



Call Us Today For More Information

**ACCURATE METAL
WEATHER STRIP Co. INC.**

1-888-383-3330

415 Concord Avenue Bronx, NY 10455

Tel 718-292-5333 ■ Fax 888-383-3330